

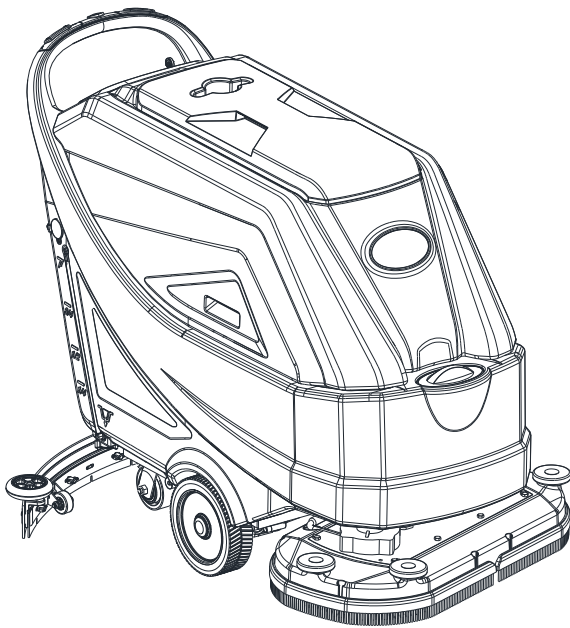
AS6690T & AS7690T / AS7190TO

QUICK START GUIDE



AS6690T & AS7690T

AS7190TO



Model No.: 50000569/50000570/50000571/50000575

VS14022 Rev D Jun. 2021





EU / UE / EL / EC / EE / ES / EÚ / AB

Declaration of Conformity

Prohlášení o shodě
Konformitätserklärung
Overensstemmelseserklæring
Declaración de conformidad
Vastavusdeklaratsioon
Déclaration de conformité
Vaatumustenmukaisuusvakuutus

Декларация за съответствие
Δήλωση συμμόρφωσης
Megfelelősségi nyilatkozat
Izjava o skladnosti
Dichiarazione di conformità
Atitikties deklaracija
Atbilstības deklarācija
Samsvarserklæring
Conformiteitsverklaring

Declaração de conformidade
Deklaracja zgodności
Declaratie de conformitate
Декларация о соответствии
Försäkran om överensstämmelse
Vyhlásenie o zhode
Izjava o skladnosti
Uygunluk beyanı

Manufacturer / Výrobce / Hersteller / Fabrikant / Fabricante / Κατασκευαστής / Gyártó / Proizvođač / Fabbricante / Gamintojas / Ražotājs / Produsent / Fabrikant / Fabricante / Producent / Producător / производитель / Tillverkaren / Výrobca / Proizvajalec / Üretici firma:

**Nilfisk A/S, Kornmarksvej 1
DK-2605 Broendby, DENMARK**

Product / Produkt / Producto, Toode, Produit, Tuote / Продукт / Προϊόν / Termék / Proizvod / Prodotto / Produktas / Produkts / Artikel / Produtos / Produs / Izdelek / Ürün

AS6690T, AS7690T, AS7190TO

Description / Popis / Beschreibung / Beskrivelse / Descripción / Kirjeldus / La description / Kuvaus / Описание / Περιγραφή / Leirás / Opis / Descrizione / Aprašymas / Apraksts / Beschrijving / Descrição / Descriere / Beskrivning / Popis / Açıklama

**FC - Floor Scrubber/Sweeper - Battery
Working mode: 24V DC; Charging mode 100-240V
50-60Hz, IPX4**

- EN** We, Nilfisk hereby declare under our sole responsibility, that the above mentioned product(s) is/are in conformity with the following directives and standards.
- CS** My, Nilfisk prohlašujeme na svou výlučnou odpovědnost, že výše uvedený výrobek je ve shodě s následujícími směrnici a normami.
- DE** Wir, Nilfisk erklären in alleiniger Verantwortung, dass das oben genannte Produkt den folgenden Richtlinien und Normen entspricht.
- DA** Vi, Nilfisk erklærer hermed under eget ansvar at ovennævnte produkt(er) er i overensstemmelse med følgende direktiver og standarder.
- ES** Nosotros, Nilfisk declaramos bajo nuestra única responsabilidad que el producto antes mencionado está en conformidad con las siguientes directivas y normas
- ET** Meie, Nilfisk Käesolevaga kinnitame ja kanname ainuisikulist vastutust, et eespool nimetatud toode on kooskõlas järgmistele direktiivide ja
- FR** Nilfisk déclare sous notre seule responsabilité que le produit mentionné ci-dessus est conforme aux directives et normes suivantes.
- FI** Me, Nilfisk täten vakuutamme omalla vastuulla, että edellä mainittu tuote on yhdenmukainen seuraavien direktiivien ja standardien mukaisesti
- BG** Ние, Nilfisk С настоящото декларираме на своя лична отговорност, че посочените по-горе продуктът е в съответствие със следните директиви и стандарти.
- EL** Εμείς, Nilfisk δηλώνουμε με αποκλειστική μας ευθύνη, ότι το προαναφερόμενο προϊόν συμμορφώνεται με τις ακόλουθες οδηγίες και πρότυπα.
- HU** Mi, Nilfisk kijelentjük, egyedüli felelősséggel, hogy a fent említett termék megfelel az alábbi irányelveknek és szabványoknak
- HR** Mi, Nilfisk izjavljemo pod punom odgovornošću, da gore navedeni proizvod u skladu sa slijedećim direktivama i standardima.
- IT** Noi, Nilfisk dichiara sotto la propria responsabilità, che il prodotto di cui sopra è conforme alle seguenti direttive e norme.
- LT** Mes, "Nilfisk pareiškiu vienašališkos atsakomybės, kad pirmiau minėtas produktas atitinka šias direktyvas ir standartus
- LV** Mēs, Nilfisk šo apliecinu ar pilnu atbildību, ka iepriekš minētais produkts atbilst šādām direktīvām un standartiem
- NO** Vi, Nilfisk erklærer herved under eget ansvar, at det ovennevnte produktet er i samsvar med følgende direktiver og standarder
- NL** We verklaren Nilfisk hierbij op eigen verantwoordelijkheid, dat het bovengenoemde product voldoet aan de volgende richtlijnen en normen
- PT** Nós, a Nilfisk declaramos, sob nossa exclusiva responsabilidade, que o produto acima mencionado está em conformidade com as diretrizes e normas a seguir.
- PL** My, Nilfisk Niniejszym oświadczamy z pełną odpowiedzialnością, że wyżej wymieniony produkt jest zgodny z następującymi dyrektywami i normami..
- RO** Noi, Nilfisk Prin prezenta declarăm pe propria răspundere, că produsul mai sus menționat este în conformitate cu următoarele standarde și directive.
- RU** Мы, Nilfisk настоящим заявляем под нашу полную ответственность, что вышеперечисленные продукция соответствует следующими директивам и стандартам.
- SV** Vi Nilfisk förklarar härmed under eget ansvar att ovan nämnda produkt överensstämmer med följande direktiv och normer.
- SK** My, Nilfisk prehlasujeme na svoju výlučnú zodpovednosť, že vyššie uvedený výrobok je v zhode s nasledujúcimi smernicami a normami.
- SL** Mi, Nilfisk izjavljamo s polno odgovornostjo, da je zgoraj omenjeni izdelek v skladu z naslednjimi smernicami in standardi.
- TR** Nilfisk, burada yer alan tüm sorumluluklarımızı göze, yukarıda belirtilen ürünün aşağıdaki direktifler ve standartlara uygun olduğunu beyan ederiz.

2006/42/EC

EN 60335-1:2012+A11:2014+A13:2017
EN 60335-2-72:2012

2014/30/EU

EN 61000-3-2:2019
EN 61000-3-3:2013+A1:2019
EN 55012:2007+A1:2009
EN 61000-6-2:2019

Authorized signatory:

Pierre Mikaelsson, Executive Vice President, Global Products & Services, Nilfisk NLT

Nov 20, 2019



UK Declaration of Conformity

We,
Nilfisk Ltd
Nilfisk House, Bowerbank Way Gilwilly Industrial Estate
Penrith Cumbria
CA11 9BQ UK

Hereby declare under our sole responsibility that the

Products: FC - Floor Scrubber/Sweeper - Battery
Description: Working mode: 24V DC; Charging mode 100-240V 50-60Hz, IPX4
Type: AS6690T, AS7690T, AS7190TO

Are in compliance with the following standards:

EN 60335-1:2012+A11:2014+A13:2017
EN 60335-2-72:2012
EN 61000-3-2:2019
EN 61000-3-3:2013+A1:2019
EN 55012:2007+A1:2009
EN 61000-6-2:2019

Following the provisions of:

Supply of Machinery (Safety) Regulations 2008/1597
Electromagnetic Compatibility Regulations 2016/1091

Penrith, 25-1-2021

A handwritten signature in black ink, appearing to read "Stewart Dennett". The signature is written in a cursive style with a long horizontal stroke extending to the left.

Stewart Dennett
GM/MD

TABLE OF CONTENTS

ENGLISH	QUICK START GUIDE	1-17
БЪЛГАРСКИ	КРАТКО РЪКОВОДСТВО.....	18-34
ČESKY	RYCHLÁ PŘÍRUČKA	35-51
DEUTSCH	SCHNELLSTARTANLEITUNG	52-68
DANSK	LYNVEJLEDNING TIL HURTIG OPSTART	69-85
ΕΛΛΗΝΙΚΑ	ΟΔΗΓΟΣ ΓΡΗΓΟΡΗΣ ΕΚΚΙΝΗΣΗΣ	86-102
ESPAÑOL	GUÍA RÁPIDA DE UTILIZACIÓN	103-119
EESTI	KIIRJUHEND	120-136
SUOMI	PIKAKÄYNNISTYSOPAS	137-153
FRANÇAIS	GUIDE DE DÉMARRAGE RAPIDE	154-170
HRVATSKI	PRIRUČNIK ZA BRZI POČETAK RADA.....	171-187
MAGYAR	GYORS ÜZEMBE HELYEZÉSI ÚTMUTATÓ.....	188-204
ITALIANO	GUIDA RAPIDA ALL'USO	205-221
LIETUVIŠKAI	GREITOJO PALEIDIMO VADOVAS.....	222-238
LATVIEŠU VALODA	PAMATA LIETOŠANAS INSTRUKCIJA	239-255
NEDERLANDS	SNELSTARTGIDS.....	256-272
NORSK	HURTIGSTARTVEILEDNING	273-289
POLSKI	SKRÓCONA INSTRUKCJA URUCHAMIANIA	290-306
PORTUGUÊS	GUIA DE INÍCIO RÁPIDO.....	307-323
ROMÂNĂ	GHID PENTRU PORNIRE RAPIDĂ.....	324-340
РУССКИЙ	РУКОВОДСТВО ПО НАЧАЛУ РАБОТЫ.....	341-357
SLOVENSKY	PRÍRUČKA SO STRUČNÝM NÁVODOM	358-374
SLOVENŠČINA	HITRI VODIČ.....	375-391
SVENSK	SNABBSTARTSGUIDE	392-408
TÜRKÇE	HIZLI BAŞLANGIÇ KILAVUZU	409-425

INTRODUCTION



CAUTION!

Some general and detailed machine information is not included in this guide. Please refer to QUICK START GUIDE Manual on supplied CD-ROM reading by Adobe® Reader®.



NOTE

The numbers in brackets refer to the components shown in Machine Description chapter.

GUIDE PURPOSE AND CONTENTS

The purpose of this quick start guide is to provide the operator with all basic information to use the machine properly. and For information about technical characteristics, operation, machine inactivity, spare parts and safety conditions etc, please refer to QUICK START GUIDE manual on supplied CD-ROM.

Before performing any procedure on the machine, the operators and qualified technicians must read the quick start guide Contact our company in case of doubts concerning the interpretation of the instructions or for any further information.

HOW TO KEEP THIS QUICK START GUIDE

The quick start guide must be kept near the machine, inside an adequate case, away from liquids and other substances that can cause any damage to it.

DECLARATION OF CONFORMITY

Declaration of Conformity is supplied with the machine and certifies machine conformity with the law in force.



NOTE

The copies of the original declaration of conformity are provided together with the machine documentation.

ACCESSORIES AND MAINTENANCE

All the necessary operation, maintenance and repair procedures must be made by qualified personnel, our company appointed repair center. ONLY original or approved spare parts and accessories can be used.

Contact our company customer service for any service or purchase of accessories or spare parts if necessary.

CHANGE AND IMPROVEMENT

We committed to continuous improvement of its products, the company reserves the right to the machine changes and improvements without informing in additional.

SCOPE OF APPLICATION

The scrubber applies to commercial and industrial use. It is suitable for cleaning smooth and solid floor, operating by qualified personnel in safety circumstance. It is not suitable for outdoor use or carpet or rough floor cleaning.

MACHINE IDENTIFICATION DATA

The machine serial number and model name are marked on the serial label.

This information is useful. Use the following table to write down the machine identification data when requiring spare parts for the machine.

MACHINE MODEL.....
MACHINE SERIAL NUMBER.....

TRANSPORT AND UNPACKING

When the carrier delivers the machine, make sure the packaging and machine are both whole and undamaged. If any damaged, make the carrier know the damage and before accepting the goods, reserve the right in compensation of the damage.

Follow the instructions on packing strictly when unpacking the machine.

Check the package to ensure following items are included:

1. Technical documentations quick start guide
2. Parts list (*).
3. Battery connection.
4. Electronic battery charger manual (if installed) (*)

SAFETY

The following symbols indicate potentially dangerous situations. Always read this information carefully and take all necessary precautions to safeguard people and property.

VISIBLE SYMBOLS ON THE MACHINE



WARNING!

Read all the instructions carefully before performing any operation on the machine.



WARNING!

Do not wash the machine with direct or pressurized water jets.



WARNING!

Do not use the machine on slopes with a gradient exceeding that is defined in the specification.

SYMBOLS THAT APPEAR ON THE QUICK START GUIDE



DANGER!

It indicates a dangerous situation with risk of death for the operator.



WARNING!

It indicates a potential risk of injury for people.



CAUTION!

It indicates a caution, or a remark related to important or useful functions.
Pay attention to the paragraphs marked by this symbol.



NOTE

It indicates a remark related to important or useful functions.



CONSULTATION

It indicates the necessity to refer to the quick start guide manual before performing any procedure.

GENERAL SAFETY INSTRUCTION

Specific warnings and cautions to inform about potential damages to people and machine are shown below.



DANGER!

- This machine must be operated by trained and authorized personnel according to guidance of the manual.
- Before performing any cleaning, maintenance, repair or replacement procedure, read all the instructions carefully, ensure to turn the machine OFF and disconnect the battery connector.
- Do not operate the machine near toxic, dangerous, flammable and/or explosive powders, liquids or vapour. This machine is not suitable for collecting dangerous powders.
- Do not wear jewels when working near electrical components.
- Do not work under the lifted machine without supporting it with safety stands.
- When using lead (WET) batteries, they may emit inflammable gas under normal use, must keep sparks, flames, smoking materials and radiating, illuminating and burning items away from the batteries.
- When charging lead (WET) batteries, they may emit hydrogen gas which may cause explosive. Must ensure the charging environment is well ventilated and away from naked flames.



WARNING!

- This machine is intended for **COMMERCIAL USE**, for example in hotels, schools, hospitals, factories, shops, offices and rental businesses.
- Machines left unattended shall be secured against unintentional movement.
- In order to prevent unauthorized use of the machine, the power source shall be switched off or locked, for example by removing the key of the main switch or the ignition key.
- Check the machine carefully before each use. Ensure that all the components have been well assembled before use. Or it may causes damages to people and properties.
- Before using the battery charger, ensure that the values of frequency and voltage indicated on the machine serial number label match those of mains.
- Never move the machine by pulling the battery charger cable. Do not let the cable through a closed door, or winding on sharp edges or corners. Do not run the machine on the battery charger cable. Keep the battery charger cable away from heated surfaces.
Do not charge the batteries if the battery charger cable or the plug are damaged.
- To reduce the risk of fire, electric shock, or injury, make sure machine is off before leaving.
- Use or store the machine indoors in dry conditions, it is not allowed for outdoor use.
- The machine both storage and working temperature must be between 0 °C and +40 °C, the humidity of air must be between 30% - 95%.
- Do not use the machine on slopes with a gradient exceeding as specification show.
- When using and handling floor cleaning detergents, follow the instructions on the labels of the detergent bottles and wear suitable gloves and protections.
- Use brushes and pads supplied with the machine or defined in the manual. Using other brushes or pads could reduce safety.
- In case of machine malfunctions, ensure that these are not due to lack of maintenance. If necessary, request assistance from the authorized personnel or from an authorized Service Center.
- Take all necessary precautions to prevent hair, jewels and loose clothes from being caught by the machine moving parts.
- Do not use the machine in particularly dusty areas.

- Do not wash the machine with direct or pressured water jets, or with corrosive substances.
- Do not bump into shelves or scaffoldings, especially where there is a risk of falling objects.
- Do not lean liquid containers on the machine, use the relevant can holder.
- To avoid damaging the floor, do not allow the brush/pad to operate while the machine is stationary.
- In case of fire, use a dry powder fire extinguisher. Do not use liquid fire extinguishers.
- Do not remove or modify the machine stickers.
- Do not tamper with the machine safety guards and follow the ordinary maintenance instructions scrupulously.
- Pay attention during machine transportation when temperature is below freezing point. The water in the recovery tank and in the hoses could freeze and cause seriously damage to the machine.
- If spare parts need be replaced, order ORIGINAL spare parts from an Authorized Dealers or Retailers.
- Return the machine to the Service Center if it doesn't work as usual or it is in condition such as damaged, placed outdoors, dropped into water.
- To ensure machine proper and safe operation, the scheduled maintenance shown in the relevant chapter of this Manual, must be performed by the authorized personnel or an authorized Service Center.
- The machine must be properly disposed of, because the presence of toxic-harmful materials (batteries, etc.), which are subject to standards that require disposal in special centers (see Scrapping chapter).
- This machine as a cleaning tool only, not for any other purpose use.
- Always keep the openings free from dust, hairs and any other foreign material which could reduce the air flow. Do not use the machine if the openings are clogged.
- Use the machine only where a proper lighting is provided.
- This machine is not intended for use by persons (including children) with reduced physical, sensory or mental capabilities, or lack of experience and knowledge.
- Close attention is necessary when used near children.
- Children should be supervised to ensure that they do not play with the machine.
- While using this machine, take care not to cause damage to people or objects.
- Cleaning and user maintenance shall not be made by children without supervision.

MACHINE DESCRIPTION

MACHINE STRUCTURE (as shown in Figure 1)

- | | |
|---------------------------------------|---|
| 1. Recovery tank lid | 15. Hinge |
| 2. Can holder | 16. Recovery tank |
| 3. Handlebar | 17. Filter cover |
| 4. Control panel | 18. Filler hose holder |
| 5. Control box | 19. Filter support |
| 6. Serial number plate/technical data | 20. Tank cover gasket |
| 7. Outlet cover | 21. Debris collection box |
| 8. Squeegee knobs | 22. Float ball filter |
| 9. Squeegee vacuum hose | 23. Solution /clean water tap |
| 10. Squeegee balance adjusting knob | 24. Rear steering wheels |
| 11. Squeegee | 25. Brush system (only for disc machine) |
| 12. Solution filter | 26. Splash guard |
| 13. Driving wheels | 27. Orbital head adjusting knob |
| 14. Solution tank | 28. Orbital system (only for orbital machine) |

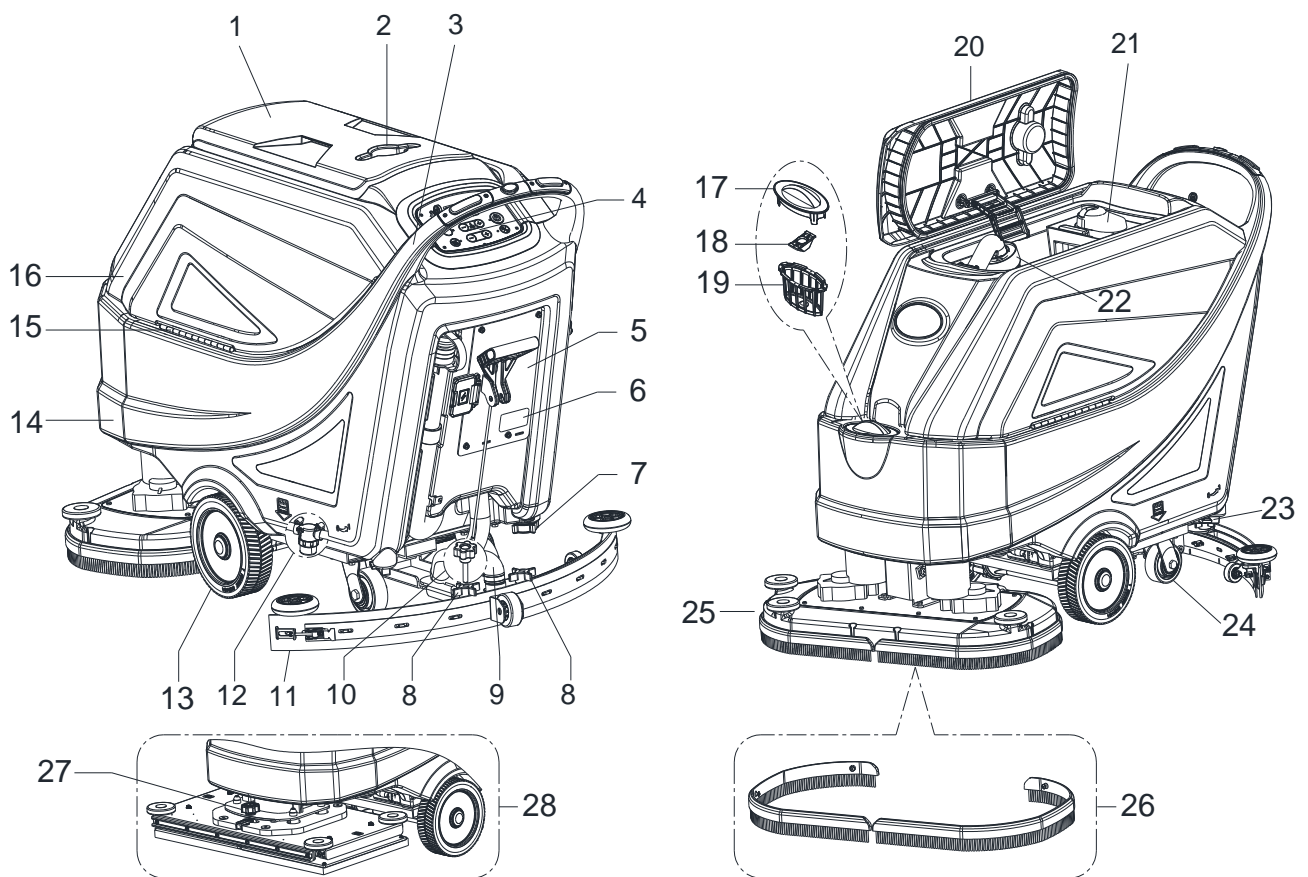


Figure 1

MACHINE STRUCTURE (as shown in Figure 2)

- 29. Battery connector (red)
- 30. Batteries (*)
- 31. Battery caps
- 32. Water level indicator tube
- 33. Tank safety cable
- 34. Vacuum system
- 35. Safety switch
- 36. Machine reverse switch
- 37. Recovery water drain hose
- 38. Security cover of charging jack
- 39. Squeegee lifting/lowering handle
- 40. Solution tank side filler cap
- 41. On-Board Charger (*)

(*): Optional

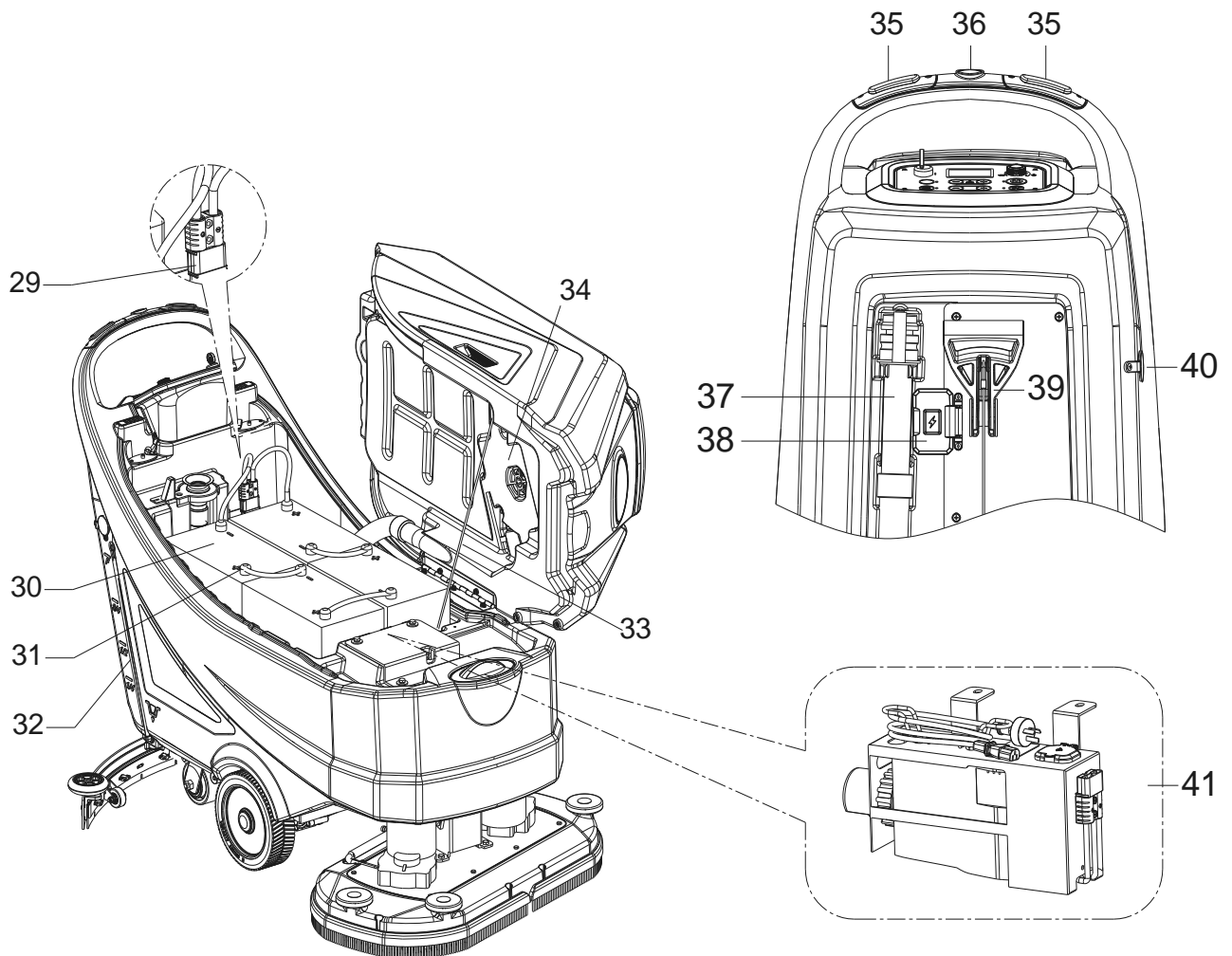


Figure 2

CONTROL PANEL (as shown in Figure 3)

41. Multifunction display
 - Items displayed:
 - A) Battery type
 - B) Battery charge level
 - C) Hours worked
 - D) ECO mode
 - E) Vacuum normal mode
 - F) Vacuum silence mode
 - G) Reverse mode
 - H) Extra pressure active
 - I) Detergent solution flow quantity
 - J) Brush work mode
 - K) Vacuum mode
 - L) Floor prep mode
42. Ignition key (0 - I)
43. ECO mode button
 - LED on-below function activated
 - water flow at minimum (level 1)
 - pressure at minimum (level 1)
 - The vacuum in silent mode
44. Brush/pad-holder release button (only for disc machine)
 - Flashing LED-Releasing system activated
45. Floor prep button (only for orbital machine)
 - Travel speed pre-set to 1Km/hour
 - LED on-below function activated
 - water flow at minimum (level 1)
 - pressure at maximum (level 3)
 - The vacuum in normal mode
46. Brush pressure adjusting button
47. Solution flow adjusting button
48. Speed adjuster
49. One-button start
 - LED on below-function activated
 - water system minimum (level 1)
 - pressure at minimum (level 1)
 - vacuum system normal
50. Vacuum system adjustment button (press the button 1 second to activation)
 - LED on-normal mode
 - Flashing LED-Slient mode

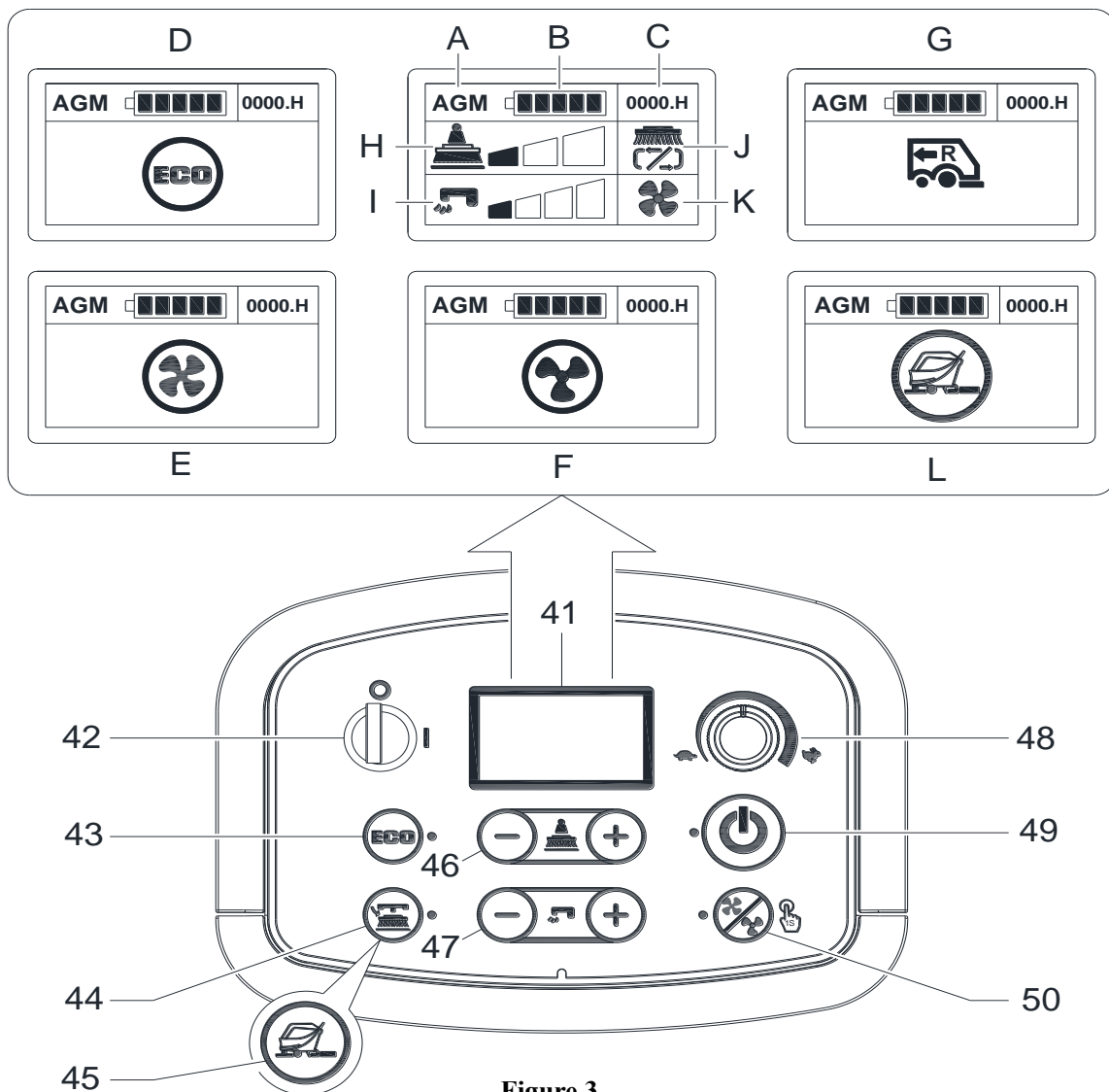


Figure 3

TECHNICAL PARAMETERS

Parameter Type	Units	Model		
		AS6690T	AS7690T	AS7190TO
Solution tank capacity	L / Gal	85 L / 22 Gal.		
Recovery tank capacity	L / Gal	90 L / 24 Gal.		
Machine Length	mm/Inches	1490 mm/ 59 Inches	1550mm/ 61 Inches	1490 mm/ 59 Inches
Machine width with squeegee	mm/Inches	830 mm / 33 Inches	950 mm / 38 Inches	
Machine width without squeegee	mm/Inches	730 mm/29 Inches	830mm/33 Inches	750mm/30 Inches
Machine Height	mm/Inches	1020 mm / 40.2 Inches		
Working width	mm/Inches	660 mm / 26 Inches	760 mm / 30 Inches	710 mm / 28 Inches
Driving wheel diameter	mm/Inches	230 mm / 9 Inches		
Driving wheel specific pressure on the floor	N/mm ²	0.67 N/mm ²		
Rear wheel diameter	mm/Inches	101 mm / 4 Inches		
Rear wheel specific pressure on the floor	N/mm ²	0.82 N/mm ²		
Brush/Pad diameter	mm/Inches	330 mm x 2 / 13 Inches x 2	380mm x 2 / 15 Inches x 2	355x710 mm / 14x28 Inches
Brush/Pad pressure (max)	Kg/Lbs.	32 Kg /71 Lbs 41 Kg /90 Lbs 49 Kg /108 Lbs	35 Kg /77 Lbs 43 Kg /95 Lbs 51 Kg /112 Lbs	42 Kg / 93 Lbs 54 Kg / 120 Lbs 65 Kg / 143 Lbs
Solution Flow (max) per setting	L / Gal per minute	(0.9/1.5/2.2/3) Liters (0.24/0.39/0.58/0.79) Gallons		(0.6/1.1/1.9/2.5) Liters (0.16/0.29/0.5/0.66) Gallons
Sound pressure level	dB (A)	69 ± 3 dB (A)		
Sound pressure level in ECO mode or in silent mode	dB (A)	65 ± 3 dB (A)		
Handle Vibration Level (max)	m/s ²	< 2.5 m/s ²		
Climbing capacity (max)	% grade	2%		
Min. aisle turn	cm/Inches	155cm/61 Inches	165 cm/65 Inches	160 cm/63 Inches
Drive motor Power	Watt / H.P.	250 W / 0.33 HP		350 W / 0.47 HP
Working Speed	Km / Miles per hour	0 - 4.0 Km / 0 – 2.5 Miles per hour		0 – 3. 2 Km / 0 – 2.0 Miles per hour
Forward speed	Km / Miles per hour	0 - 4.0 Km / 0 - 2.5 Miles per hour		
Reverse speed	Km / Miles per hour	0 - 2.0 Km / 0 - 1.25 miles per hour		
Vacuum motor power	Watt / H.P.	500 W / 0.66 HP		
Vacuum capacity	mm/In of H ₂ O	1500 mm / 60 In of H ₂ O		
Vacuum capacity in ECO mode or in silent mode	mm/In of H ₂ O	900 mm / 35 In of H ₂ O		
Brush motor power	Watt / H.P.	500 x 2 Watt / 0.66 x 2 HP		750 Watt / 1.0 HP
Brush speed in normal mode	RPM	200 RPM		2200 RPM
Brush speed in ECO mode	RPM	160 RPM		1600 RPM
IP protection class	IP	IP24		
Battery Compartment Size with Off - board charger (L x W x H)	mm/Inches	(620 x 385 x 390) mm / 24.4 x 15.1 x 15.3 Inches		
Battery Compartment Size with on-board charger (L x W x H) (*)	mm/Inches	(535 x 385 x 390) mm / 21 x 15.1 x 15.3 Inches		
Voltage	DC	24 V		
Batteries (*)	Ah	N/A		
Battery run time (standard batteries) (*)	Hour	Up to 4 hours		
On-Board Charger (*)	Volts/Amps	24V 25A		
Productivity (max)	m ² /h	2640 m ² /h	3040 m ² /h	2272 m ² /h
Machine weight with empty tanks (without batteries)	Kg/Lbs.	135 Kg / 298 Lbs.	138 Kg/304 Lbs.	148 Kg/326 Lbs.
Gross Vehicle Weight (GVW)	Kg/Lbs.	347 Kg / 765 Lbs.	350 Kg / 772 Lbs.	360 Kg / 794 Lbs.
Shipping Weight	Kg/Lbs.	202 Kg / 444 Lbs.	205 Kg / 451 Lbs.	215 Kg / 473 Lbs.
Packing dimensions (L x W x H)	mm/Inches	(1620 x 810 x 1200 mm) / (64 x 32 x 48 Inches)	(1660 x 910 x 1200 mm) / (66 x 36 x 48 Inches)	

(*): Optional

OPERATING GUIDE



WARNING!

On some points of the machine there are some adhesive plates indicating:

- DANGER!
- WARNING!
- CAUTION!
- CONSULTATION

While reading this Manual, the operator must pay particular attention to the symbols shown on the plates. Do not cover these plates for any reason and immediately replace them if damaged.

BATTERY CHECK/SETTING ON A NEW MACHINE

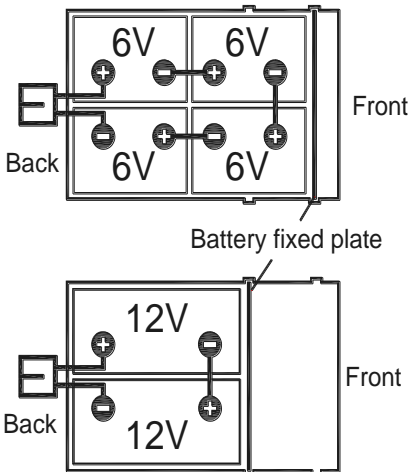


WARNING!

The electric components of the machine can be seriously damaged if the batteries are either improperly installed or connected. The batteries must be installed by qualified personnel only. Set the function electronic board and the built-in battery charger according to the type of batteries used (WET or GEL/AGM batteries). Check the batteries for damage before installation. Disconnect the battery connector and the battery charger plug. Handle the batteries with great care. Install the battery terminal protection caps supplied with the machine.

Batteries already installed on the machine

1. Ensure that the battery connector (29, Figure. 2) is connected.
2. When first using the machine with new batteries, perform a full charging cycle (see the procedure in Maintenance chapter).



NOTE

The machine requires two 12V batteries or four 6V Batteries, connected according to the diagram (Figure 4). Put the battery fixed plate correctly as (Figure. 4).

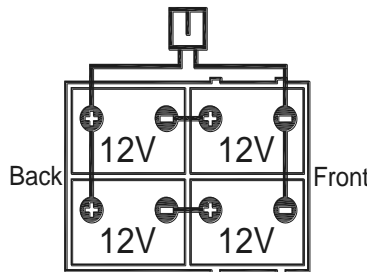


Figure 4

Without batteries

1. Buy appropriate batteries (see “Technical Data” paragraph). For battery choice and installation, apply to qualified battery Retailers.
2. Set the machine according to the type of batteries installed as shown in the Super User key section of the Maintenance chapter.

BATTERY INSTALLATION AND BATTERY TYPE SETTING (WET OR GEL/ AGM OR DIS OR ENES)

Battery installation

1. Open the recovery tank lid (1, Figure. 1) and check that the recovery tank (16) is empty; otherwise empty it with the drain hose. (37, Figure. 2)
2. Close the recovery tank lid (1, Figure. 1).
3. Raise the recovery tank (16, Figure. 1) carefully.
4. The machine is supplied with cables suitable to install two 12V batteries or four 6V batteries. Carefully put the batteries into the compartment, then install them correctly. Put the battery fixed plate correctly as (Figure. 4).
5. Route and install the battery cable as shown in (Figure 4), then carefully tighten the nut on each battery terminal.
6. Place the protection cap on each terminal, then connect the battery connector (29, Figure. 2).
7. Carefully lower the recovery tank (16, Figure. 1).

Battery type setting (WET OR GEL/AGM OR DIS OR ENES)

Access to select battery mode

According to the type of batteries (WET or GEL/AGM), set the machine as follows:

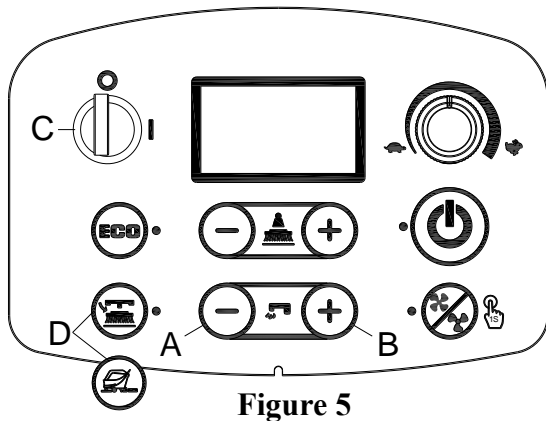


Figure 5

Access to select battery mode

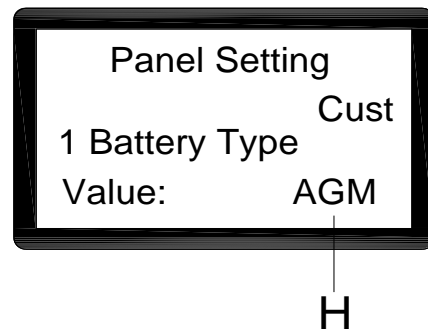


Figure 6

1. Press water flow button "+"(A, Figure. 5) and "-"(B, Figure. 5) at the same time.
2. Insert the ignition key (C, Figure. 5) and turn it to "I".
3. Several seconds later enter to the screen of selecting battery mode (Figure. 6)
4. Press water flow button "-"(A, Figure. 5) and "+"(B, Figure. 5) to select battery mode (H, Figure. 6)
5. Press the release button for dis version or the floor prep button for orbital version (D, Figure. 5), 3 seconds later show " Update OK" means setting succeeds, turn on to restart. (C, Figure. 5)

Battery charger setting (only for on-board charger if installed)



WARNING!
Do not to set charger unless you have professional training

1. Turn off the machine and disassemble the On-board charger (A, Figure.7) from the machine. Then pry open the label on the charger cover (B, Figure.7) you will find the 2 sets of dipswitches (SW1 and SW2) in the charger.
2. Only the set of dipswitch SW1(the one on the left side) has effect on charging curve selection accordingly to the table below.

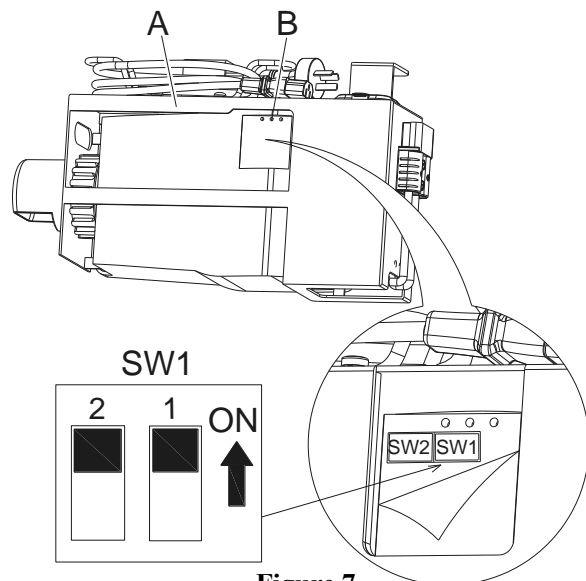


Figure 7

DP1	DP2	CHARGING CURVE
ON	OFF	IUIa-ACD for Lead-acid (Wet)batteries
OFF	OFF	IUIa-GEL for Gel batteries of Exide-Sonnenschein
OFF	ON	IUU0-GEL for HAZE Gel and AGM batteries of other manufacturers
ON	ON	IUIUa-AGM for Discover AGM batteries

Battery charging

Fully charge the batteries (see the procedure in Maintenance chapter).

Battery discharge

When the batteries pattern is full (G, Figure 8), the batteries allow the machine to work normally. When the batteries pattern is low (H, Figure 8), the batteries must be charged. A few seconds after the low battery pattern shows, the brush/pad-holder is automatically turned off, while the drive system stays on. Drive the machine to the appointed recharging area immediately.

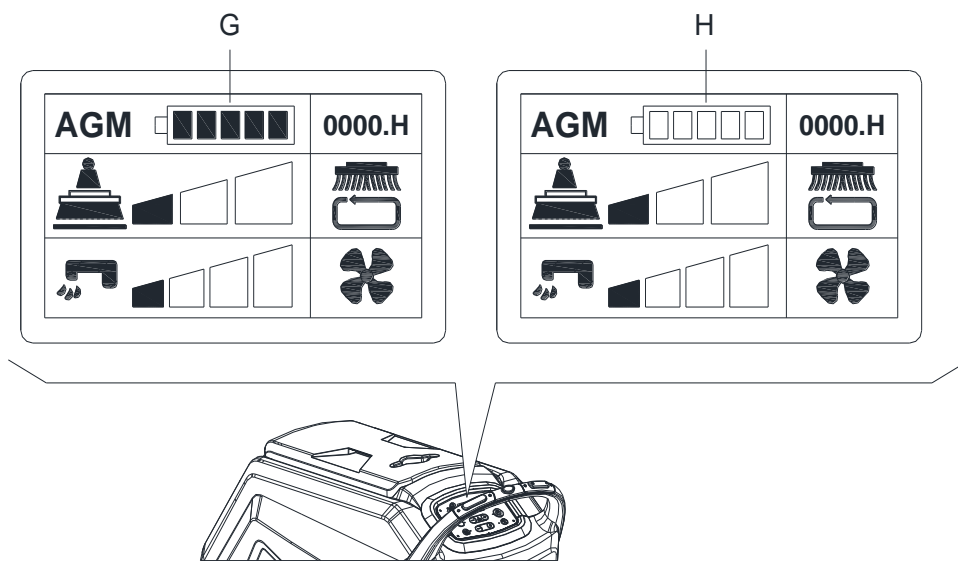


Figure 8



CAUTION!

When the batteries are discharged, charge them as soon as possible, as that condition makes their life shorter. Check for battery charge at least once a week.

BRUSH/PAD-HOLDER INSTALLATION AND REMOVAL (only for disc machine)**NOTE**

Install either the brush (A, Figure 9) or pad-holder (B and C, Figure 9) according to the type of floor to be cleaned.

**CAUTION!**

Before installation or removal of brush or pad-holder, make sure all the switches on machine are in off position and the squeegee is lifted off the floor. The operator must be equipped with suitable personnel protection devices, such as gloves to reduce the risk of accidents.

Proceed as following:

INSTALLATION:

1. Insert the ignition key (42, Figure 3) and turn it to "I". Lift the deck. Turn off the machine by removing the ignition key (42).
2. Turn the speed adjuster (48) to idle by turning it counter-clockwise.
3. Place the brushes (A, Figure 9) or the pad-holder (B) under the deck.
4. Use the manual method by turning the brush/pad-holder in the direction opposite to the normal turning direction, and it can be installed. (as shown in Figure 9)

REMOVAL:

1. Insert the ignition key (42, Figure 3) and turn it to "I". To remove the brush/pad-holder lift the deck by pressing the Brush/pad-holder release button (44), the brush/pad-holder will be automatically released.

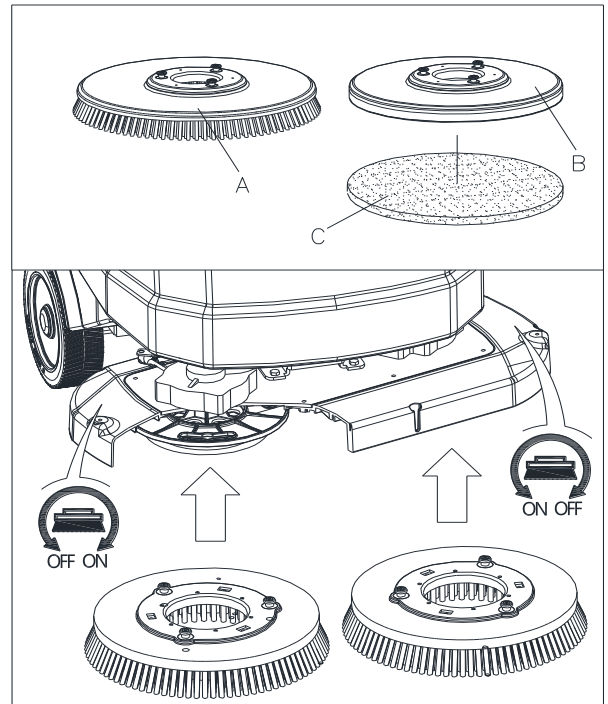


Figure 9

PAD INSTALLATION AND REMOVAL (only for orbital machine)

1. Insert the ignition key (42, Figure 3) and turn it to "I". Lift the deck. Turn off the machine by removing the ignition key.
2. Use the manual method to install or remove the pad as (Figure 10)

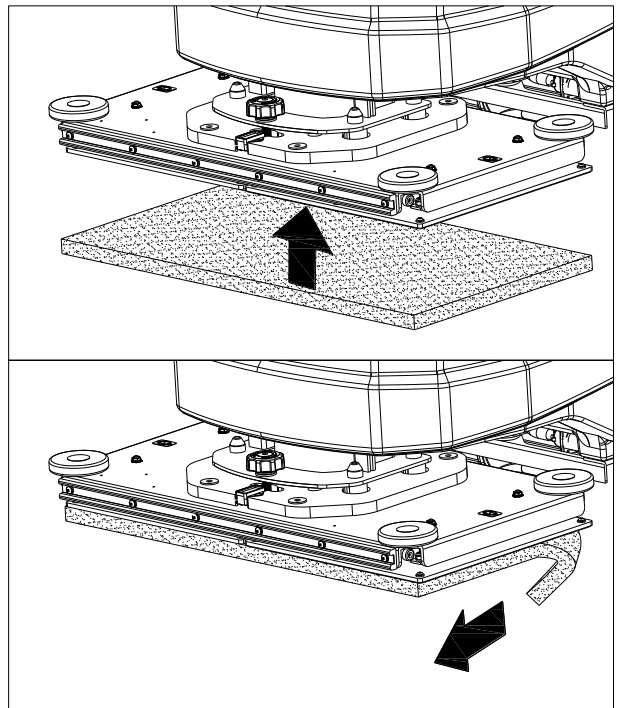


Figure 10

ADJUSTING THE BALANCE OF SQUEEGEE

1. Install the squeegee and tighten up the nuts (H, Figure 11), then connect the vacuum hose (G) to the squeegee.
2. Adjust the squeegee by squeegee adjusting handle (A, Figure 11).
 - a) If there is gap between the ground and middle section of rear squeegee blade (B), adjust the knob (A) in counterclockwise direction (F) until all sections of the rear squeegee blade make good contact with the ground, the front blade touches the ground slightly.
 - b) If there is gap between the ground and both end section of rear blade (C and D), adjust the knob (A) in clockwise direction (E) until all sections of the rear squeegee blade make good contact with the ground, the front blade touches the ground slightly.

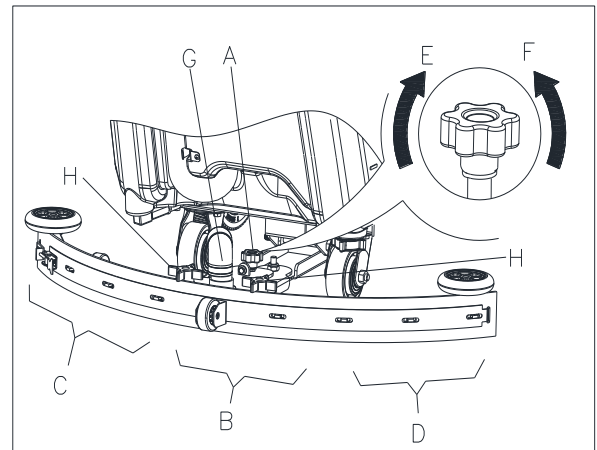


Figure 11

FILLING SOLUTION TANK

1. Open the water inlet cover (B, Figure 12).
2. Fill with water or solution suitable for work performance through the water inlet with filter.
The solution temperature must not exceed +104F (+40°C).
3. Do not overfill the tank, refer to water level indicator (H) for the water volume.



WARNING!
Use only low-foam and non-flammable detergents, intended for automatic scrubber applications.

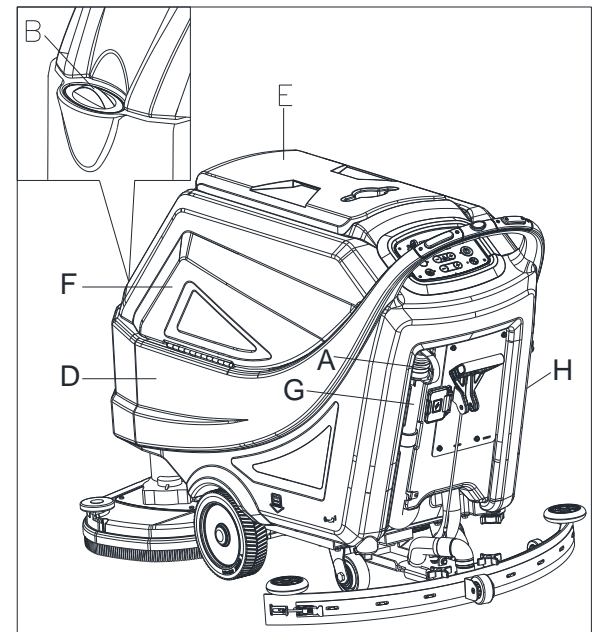


Figure 12

MACHINE START AND STOP

Starting the machine

1. Prepare the machine as shown in the previous paragraph.
2. Insert the ignition key (A, Figure 13) and turn it to "I". Check Batteries status from display screen. If necessary charge the batteries (see the procedure in Maintenance chapter).
3. Drive the machine to the working area:
 - By pushing either safety switch (F) to move forward or pressing the safety switch (F) together with the reverse switch (G) to move backward. The forward speed can be adjusted with the adjuster (H).
4. Lower the squeegee (I) with the Squeegee lifting/lowering handle (J).
5. Lower the brush/pad-holder deck (K) by pressing the one button start (L)
6. Press the solution flow control buttons (O) as necessary, depending on the type of cleaning to be performed.
7. Start cleaning:
 - Press either safety switch (F) to activate the machine drive. If necessary, the forward speed can be adjusted with the adjuster (H).



NOTE

To move the machine forward, press either the left or right safety switch (F, Figure 13) or both.

Stopping the machine

8. Stop the machine by releasing the safety switches (F, Figure 13)
9. The brushes stop. The vacuum system stops after a few seconds.
10. Lift the brush/pad-holder deck (K) by pressing the one button start (L).
11. Lift the squeegee (I) with the Squeegee lifting/lowering handle (J).
12. Turn the ignition key (A) to "0".
13. Make sure that the machine cannot move independently.

MACHINE OPERATION (SCRUBBING AND DRYING)

1. Start the machine as shown in previous paragraphs.
2. While pressing either safety switch (35, Figure 2), maneuver the machine and start scrubbing/drying the floor.
3. If necessary, stop the machine then adjust squeegee according to section "Adjusting balance of squeegee".

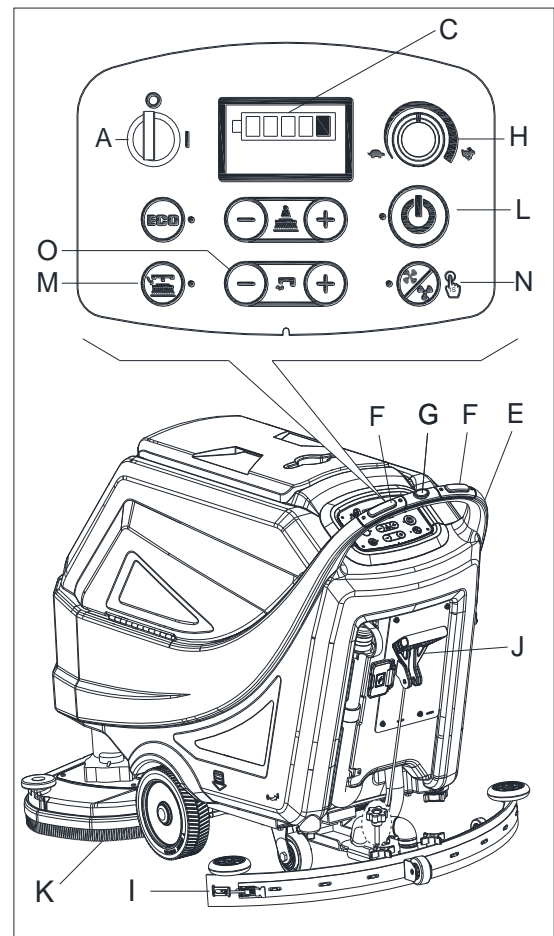


Figure 13

ADJUSTING THE LEVEL OF ORBITAL DECK (ONLY FOR ORBITAL MACHINE)

1. Insert the ignition key (42) and turn it to "I".
Lower the brush/pad-holder deck (25) by pressing the one button start (49)
2. Adjust the level of orbital deck by adjusting handle (A, Figure 14) so that the bubble is in the center (B Figure 14).

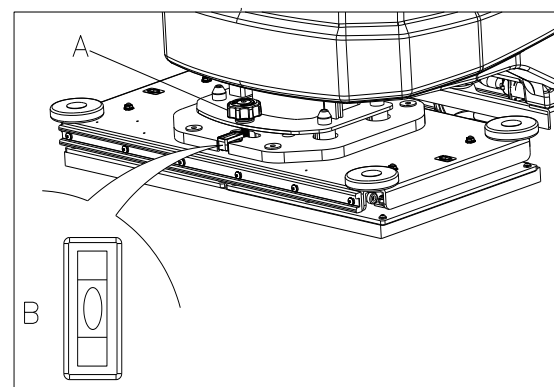


Figure 14

**NOTE**

For correct scrubbing/drying of floors at the sides of the walls. It is suggested to go near the walls with the right side of the machine (A and B, Figure 15) as shown in the figure.

**CAUTION!**

To avoid any damage to the floor surface, turn off the brushes/pad-holders when the machine stops in one place.

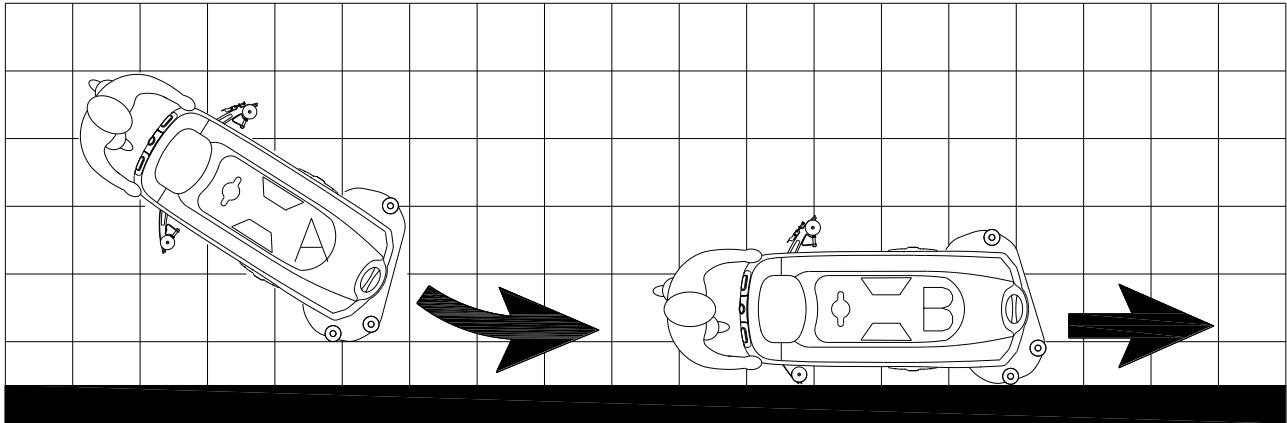


Figure 15

TANK EMPTYING

An automatic float shut-off system (A, Figure 16) blocks the vacuum system when the recovery water tank (B) is full. The vacuum system deactivation is signaled by a sudden increase in the vacuum system motor noise frequency, also the floor has not dried.

**CAUTION!**

If the vacuum system turns off accidentally (for example, when the float is activated because of a sudden machine movement), to resume the operation: turn off the vacuum system by pressing the switch (50, Figure 3), then open the cover (C, Figure 16) and check that the float inside the grid (A) has gone down to the water level. Then close the cover (C) and turn on the vacuum system by pressing the switch (50, Figure 3).

When the recovery water tank (B, Figure 16) is full, empty it according to the following procedure.

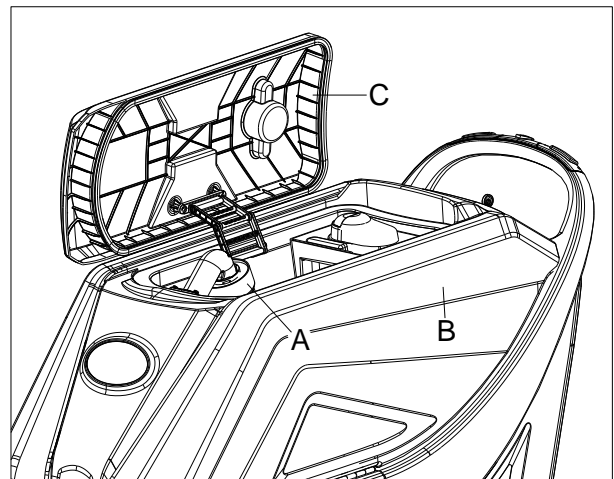


Figure 16

Recovery water tank emptying

1. Stop the machine.
2. Lift the brush/pad-holder deck (25, Figure 1) by pressing the one-button start (49, Figure 3) or restart the machine by Ignition key (42, Figure 3).
3. Lift the squeegee (11, Figure 1) with the squeegee lifting/lowering handle (39, Figure 2).
4. Drive the machine to the appointed disposal area.
5. Empty the recovery water tank with the hose (A, Figure 17). Then, rinse the tank (B, Figure 16) with clean water.



CAUTION!

When draining the wastewater, the vacuum tube for waste must be folded (A, Figure 17) and lowered to a lower position (B, Figure 17), and then open the lid of the vacuum tube for waste to drain the water. Do not make the outlet of the vacuum tube for waste face upward to drain the water vertically. This is to avoid wastewater spilling onto the operator.

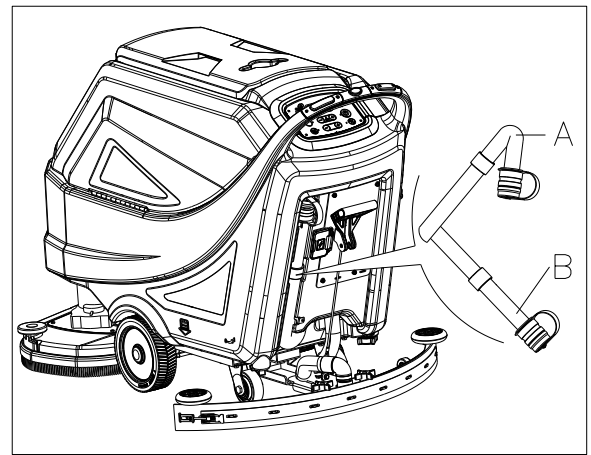


Figure 17

Solution/clean water tank emptying

1. Empty the solution tank with the outlet cover (A, Figure 18). After working, rinse the tank with clean water.

AFTER USING THE MACHINE

After working, before leaving the machine:

1. Remove the brushes/pad-holders by pressing the release button (44, Figure 3) and clean them (only for disc machine).
2. Remove the splash guard as (E, Figure 19) and cleaning it. (only for disc machine)
3. Remove the Pad and clean it. (only for orbital machine)
4. Empty the tanks (B and C, Figure 18) as shown in the previous paragraph.
5. Perform the daily maintenance procedures (see the Maintenance chapter).
6. Store the machine in a clean and dry place, with the brushes/ pad-holders and the squeegee lifted or removed.

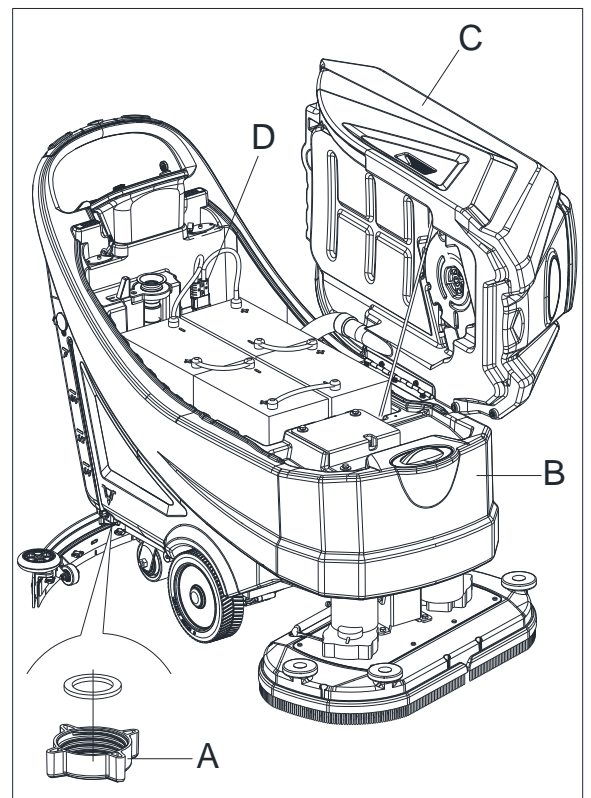


Figure 18

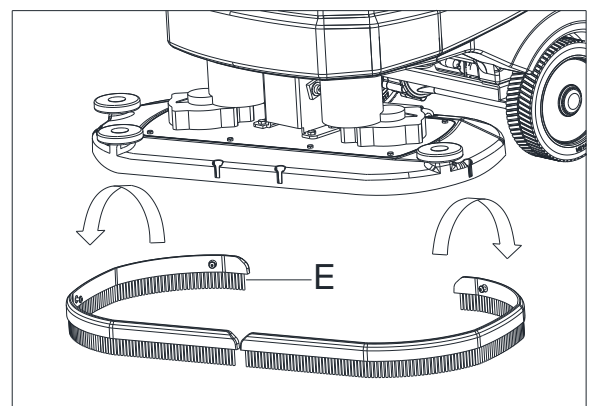


Figure 19

MACHINE STORAGE DURING LONG INACTIVITY

If the machine is not going to be used for more than 30 days, proceed as follows:

1. Perform the procedures shown in After Using the machine paragraph.
2. Disconnect the battery connector (29, Figure 2).

FIRST PERIOD OF USE

After the first 8 hours, check the machine fastening and connecting parts for proper tightening and check the visible parts for wear and leakage.

MAINTENANCE



WARNING!

Maintenance procedures must be performed after the machine is turned off and the battery charger cable is disconnected. In addition, carefully read the safety chapters in the manual.

All scheduled or extraordinary maintenance procedures must be performed by qualified personnel or an authorized Service Center. This manual only describes the general and common maintenance procedures.

For other maintenance procedures that are not in below maintenance schedule table, please refer to the Service Manual that can be consulted at any our company Service Center.

SCHEDULED MAINTENANCE TABLE



CAUTION!

The procedure marked with (1) must be performed when the machine is used after 8 hours for the first time. The procedure marked with (2) must be done by Service Center that qualified by our company.

Procedure	Daily, after each use	Weekly	semiannually	Yearly
Battery charging				
Squeegee cleaning				
Brush/Pad-holder cleaning				
Tank cleaning				
Tank sealing strip inspection				
Float ball filter cleaning				
Pad cleaning				
Splash guard cleaning (only for disc machine)				
Squeegee blade check and replacement				
Cleaning water filter cleaning				
Suction filter cleaning				
WET battery fluid level check				
Screw and nut tightness inspection			(1)	
Lower Isolator (only for orbital machine)			(2)	
Brush motor carbon brush check or replacement				(2)
Vacuum motor carbon brush check or replacement				(2)
Drive system motor carbon brush check or replacement				(2)

ВЪВЕДЕНИЕ**ПРЕДУПРЕЖДЕНИЕ!**

Част от общата и детайлна информация за уреда не е включена в настоящото ръководство. Моля, прочетете **КРАТКОТО РЪКОВОДСТВО**, което се предоставя на CD-ROM и може да бъде прочетена с Adobe® Reader®.

**ЗАБЕЛЕЖКА**

Числата в скобите се отнасят за елементите, посочени в раздел **Описание на уреда**.

ЦЕЛ И СЪДЪРЖАНИЕ НА РЪКОВОДСТВОТО

Целта на това Кратко ръководство е да даде на оператора основната информация за правилното използване на уреда. За информация за техническите параметри, работата, покой на уреда, резервни части, условия за безопасност и др. вижте **КРАТКОТО РЪКОВОДСТВО**, предоставено на CD-ROM.

Преди да се извърши каквато и да е процедура върху уреда, операторите и квалифицираните техници трябва да прочетат това Кратко ръководство. Свържете се с нашата компания, ако имате съмнения относно тълкуването на инструкциите или за допълнителна информация.

КАК ДА СЪХРАНИТЕ ТОВА КРАТКО РЪКОВОДСТВО

Ръководството трябва да се държи в близост до уреда, в подходяща опаковка, далеч от течности и други вещества, които могат да го повредят.

ДЕКЛАРАЦИЯ ЗА СЪОТВЕТСТВИЕ

Декларация за съответствие се предоставя заедно с устройството и удостоверява, че уредът в съответствие с действащото законодателство.

**ЗАБЕЛЕЖКА**

Копията от оригинала на декларацията за съответствие се предоставят заедно с документация на уреда.

РЕЗЕРВНИ ЧАСТИ И ПОДДРЪЖКА

Всички необходими процедури за експлоатация, поддръжка и ремонт трябва да се извършват от квалифициран персонал, или одобрен от нашата фирма сервизен център. Могат да се използват само оригинални или одобрени резервни части и аксесоари. В случай на необходимост от ремонт или поръчка на резервни части или аксесоари, моля свържете се с нас

ПРОМЕНИ И ПОДОБРЕНИЯ

Фирмата ни непрекъснато подобрява и обновява своите продукти. Ето защо запазваме правото си да променяме и подобряваме уредите, без да съобщаваме за това предварително.

ОБЛАСТ НА ПРИЛОЖЕНИЕ

Подочистачката е предназначена за търговски и промишлени нужди. Подходяща е за почистване на гладки и твърди подови настилки, като се използва от квалифициран персонал в безопасна среда. Подочистачката не бива да се ползва на открито, върху килими или относително груби настилки.

ИДЕНТИФИКАЦИОННИ ДАННИ НА УРЕДА

Моделът и серийния номер на уреда са отбелязани на етикета със серийния номер.

Тази информация е важна. Използвайте следната таблица, за да запишете идентификационните данни на уреда, те ще са Ви необходими при поръчка на резервни части.

МОДЕЛ НА УРЕДА.....
СЕРИЕН НОМЕР НА УРЕДА.....

РАЗОПАКОВАНЕ И ТРАНСПОРТ

При доставката, уверете се, че опаковката и самият уред са здрави и непокътнати. Ако установите някакви щети, веднага информирайте транспортната фирма и преди да приемете доставката, възползвайте се от правото си на обезщетение.

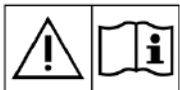
При разопаковане на уреда, следвайте стриктно инструкциите на опаковката.

Проверете дали следните части са налични в опаковката.

1. Техническа документация Кратко ръководство
2. Списък на частите (*).
3. Свързване на акумулатора.
4. Ръководство за електронно зарядно устройство за акумулатори (ако е инсталирано) (*)

БЕЗОПАСНОСТ

Следните символи предупреждават за потенциално опасни ситуации. Прочетете тази информация внимателно и да вземете всички необходими предпазни мерки, за защита на хората и имуществото.

ВИДИМИ ОЗНАЧЕНИЯ**ВНИМАНИЕ!**

Прочетете внимателно всички инструкции, преди да извървите каквато и да е дейност върху уреда.

**ВНИМАНИЕ!**

Не мийте уреда с директна струя или вода под налягане.

**ВНИМАНИЕ!**

Не използвайте уреда под наклон, чийто градус надвишава посочения в спецификациите.

СИМВОЛИ, КОИТО СЕ ИЗПОЛЗВАТ В КРАТКОТО РЪКОВОДСТВО**ОПАСНО!**

Отнася се за опасна ситуация, която може да причини смъртта на оператора.

**ВНИМАНИЕ!**

Показва потенциален риск от наранявания.

**ПРЕДУПРЕЖДЕНИЕ!**

Предупреждение за повишено внимание или забележка, свързана с важни или полезни функции. Обърнете внимание на абзаците, маркирани с този символ.

**ЗАБЕЛЕЖКА**

Съдържа специална информация, свързана с важни или полезни функции.

**СЪВЕТ**

Това показва необходимостта да проверите Краткото ръководство, преди да изпълните някоя процедура.

ОБЩИ НАСОКИ ЗА БЕЗОПАСНОСТ

Специфични предупреждения и предпазни мерки относно риска от евентуални наранявания за хората и щети за уреда, както е указано по-долу.

**ОПАСНО!**

- Този уред трябва да се използва само от обучени и упълномощени служители, съгласно напътствията в това ръководство.
- Преди провеждането на каквато и да е процедура за почистване, поддръжка, ремонт или замяна, прочетете внимателно всички инструкции, уверете се, че уредът е изключен и извадете конектора на акумулатора.
- Не работете с уреда в близост до токсични, опасни, лесно възпламеними и/или взривоопасни прахове, течности или пари. Уредът не е подходящ за събиране на опасен прах.
- Не носете бижута, когато работите в близост до електрически компоненти.
- Не работете под уреда, когато е повдигнат, освен ако не се уверите, че е добре обезопасен.
- При използване на оловни акумулатори (с течен електролит), имайте предвид, че при нормалната си употреба те могат да излъчват запалими газове. Ето защо трябва да се съхраняват далеч от искри, пламъци, димящи и облъчващи вещества, осветителни тела и горящи материали.
- По време на зареждането си оловните акумулатори (съдържащи течен електролит) отделят газообразен водород, който може да доведе до експлозия. За зареждането осигурете проветриво пространство, далеч от открит огън.

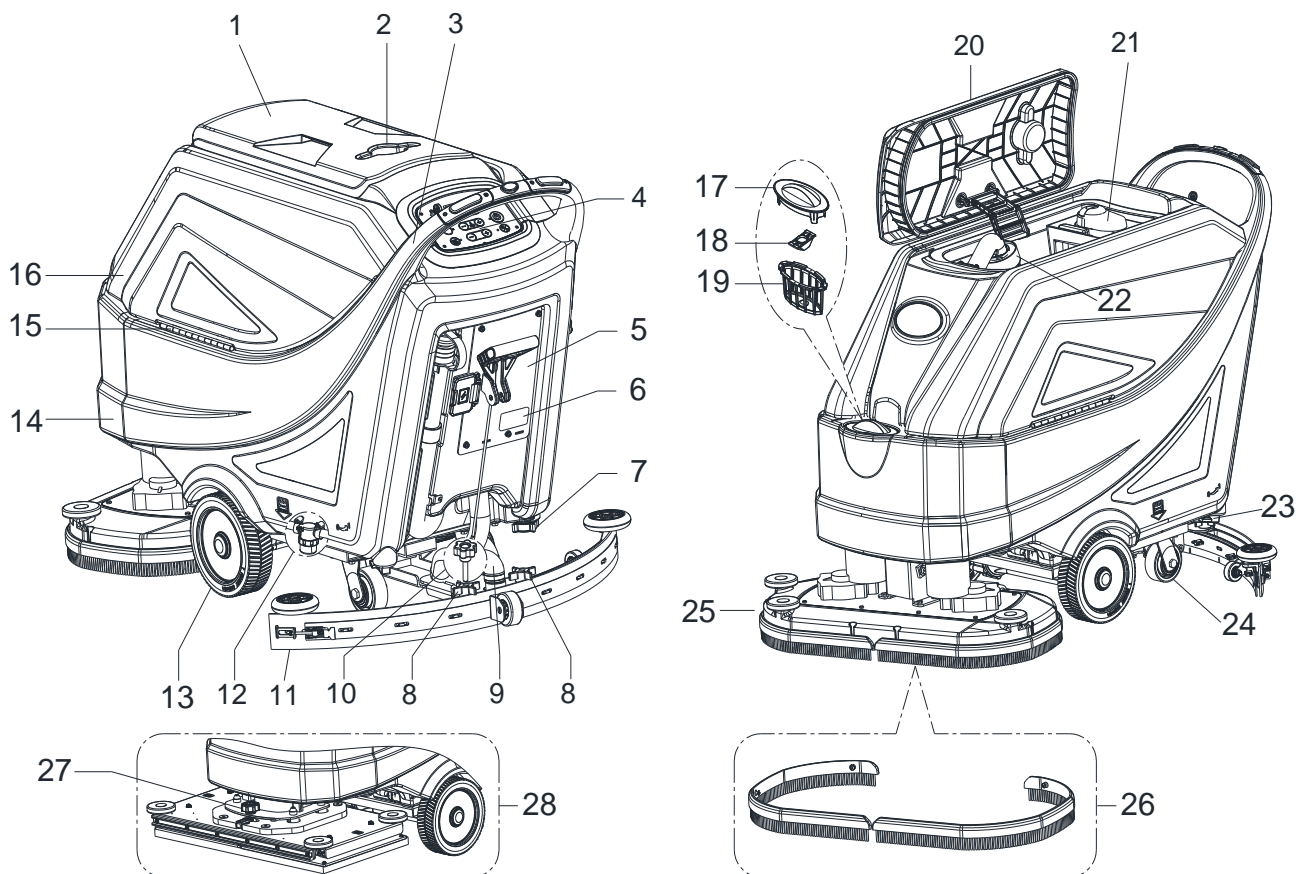
**ВНИМАНИЕ!**

- Тази машина е предназначена за ПРОФЕСИОНАЛНА употреба, например в хотели, училища, болници, фабрики, магазини, офиси или фирми за отдаване под наем.
- Уредите, оставени без надзор, трябва да бъдат обезопасени срещу неволно движение.
- С цел да се предотврати неразрешено използване на уреда, източникът на захранване трябва да бъде изключен или заключен, например чрез отстраняване на ключа от основния превключвател или ключа за запалване.
- Проверявайте уреда внимателно преди всяка употреба. Преди да използвате уреда, уверете се, че всички компоненти са били сглобени добре. Това може да причини вреда на хора или имущество.
- Преди да използвате зарядното устройство, уверете се, че стойностите на честота и напрежение, посочени на етикета със серийния номер на уреда, съвпадат с характеристиките на електрическата мрежа.
- Никога не местете уреда, като го дърпате чрез кабела на зарядното устройство. Не прещипвайте кабела при затваряне на врати и не го огъвайте покрай остри ъгли и ръбове. Не настъпвайте кабела на зарядното устройство със самия уред. Пазете кабела на зарядното устройство далеч от горещи повърхности. Не зареждайте батериите, ако кабелът или конекторът на зарядното устройство са повредени.
- За да намалите риска от пожар, токов удар или нараняване, се уверете, че уредът е изключен, преди да го оставите без надзор.
- Използвайте и съхранявайте устройството на закрито, в сухи помещения, употребата на открито не е разрешена.
- Както температурата за съхранение, така и работната температура трябва да бъде между 0° C и +40° C, при влажност на въздуха в интервала 30% - 95%.
- Не използвайте уреда на наклонени повърхности, чийто градус надвишава посочения в спецификацията.
- При използване и работа с почистващи препарати за подови настилки, следвайте инструкциите на етикетите на бутилките и носете подходящи ръкавици и предпазни средства.
- Използвайте предоставените с уреда или посочените в указанията четки и почистващи подложки. Употребата на други четки или подложки може да намали безопасността.
- При поява на дефект се уверете, че причината не е поради липсата на поддръжка. Ако е необходимо, поискайте съдействие от упълномощени лица или оторизирани сервизни центрове.
- Вземете всички необходими мерки, за да предотвратите защипването на коса, бижута или широки дрехи в подвижните части на уреда.
- Не използвайте уреда в особено запрашени помещения.

- Не мийте уреда с директна струя вода под налягане или корозивни вещества.
- Избягвайте удари в рафтове и скелета, тъй като съществува риск от падащи предмети.
- Не облягайте съдове с течности върху уреда, използвайте съответната поставка.
- За да избегнете повреди по настилката, не оставяйте четката / почистващата подложка да работи, докато уредът не се движи.
- В случай на пожар използвайте сух прахов пожарогасител. Не използвайте течни пожарогасители
- Не сваляйте и не променяйте стикерите на уреда.
- Не променяйте защитните приспособления на уреда и следвайте инструкциите за редовна поддръжка стриктно.
- Бъдете внимателни при транспортиране на уреда, когато температурата е под нулата. Водата в резервоара за мръсна вода и в маркучите може да замръзне, което би причинило сериозни повреди на уреда.
- Ако е необходима подмяна на части, поръчвайте **ОРИГИНАЛНИ** резервни части от оторизирани дистрибутори или търговски представители.
- Върнете уреда на обслужващия сервиз, ако не работи както обикновено, или при едно от следните обстоятелства: повреда, оставяне на открито, падане във вода.
- За да гарантирате безопасната и правилна работа на уреда, осигурете извършването на планово техническо обслужване от упълномощен персонал или сервизен център в съответствие с плановете за поддръжка в съответните раздели на ръководството.
- Уредът трябва да бъде бракуван правилно поради наличието на отровни и опасни вещества, като те трябва да бъдат изхвърлени в специални депа според съответните закони и актове (виж раздел Бракуване на уреда).
- Този уред не може да бъде използван за други цели освен като почистващо средство.
- Винаги поддържайте отворите чисти - без прах, косми и всякакви чужди тела, които биха могли да намалят притока на въздух. Не използвайте уреда, ако отворите са запушени.
- Използвайте уреда само когато е осигурено подходящо осветление.
- Този уред не е предназначен за използване от лица (включително деца) с физически, сензорни или умствени увреждания, или с недостатъчен опит и знания.
- Специално внимание е необходимо, когато се използва в близост до деца.
- Децата трябва бъдат наблюдавани, за да не си играят с уреда.
- По време на използване на уреда внимавайте да не причините щети или наранявания.
- Почистване и обслужване не трябва да се извършват от деца без надзор.

**ОПИСАНИЕ НА УРЕДА
УСТРОЙСТВО НА УРЕДА (както е показано на фигура 1)**

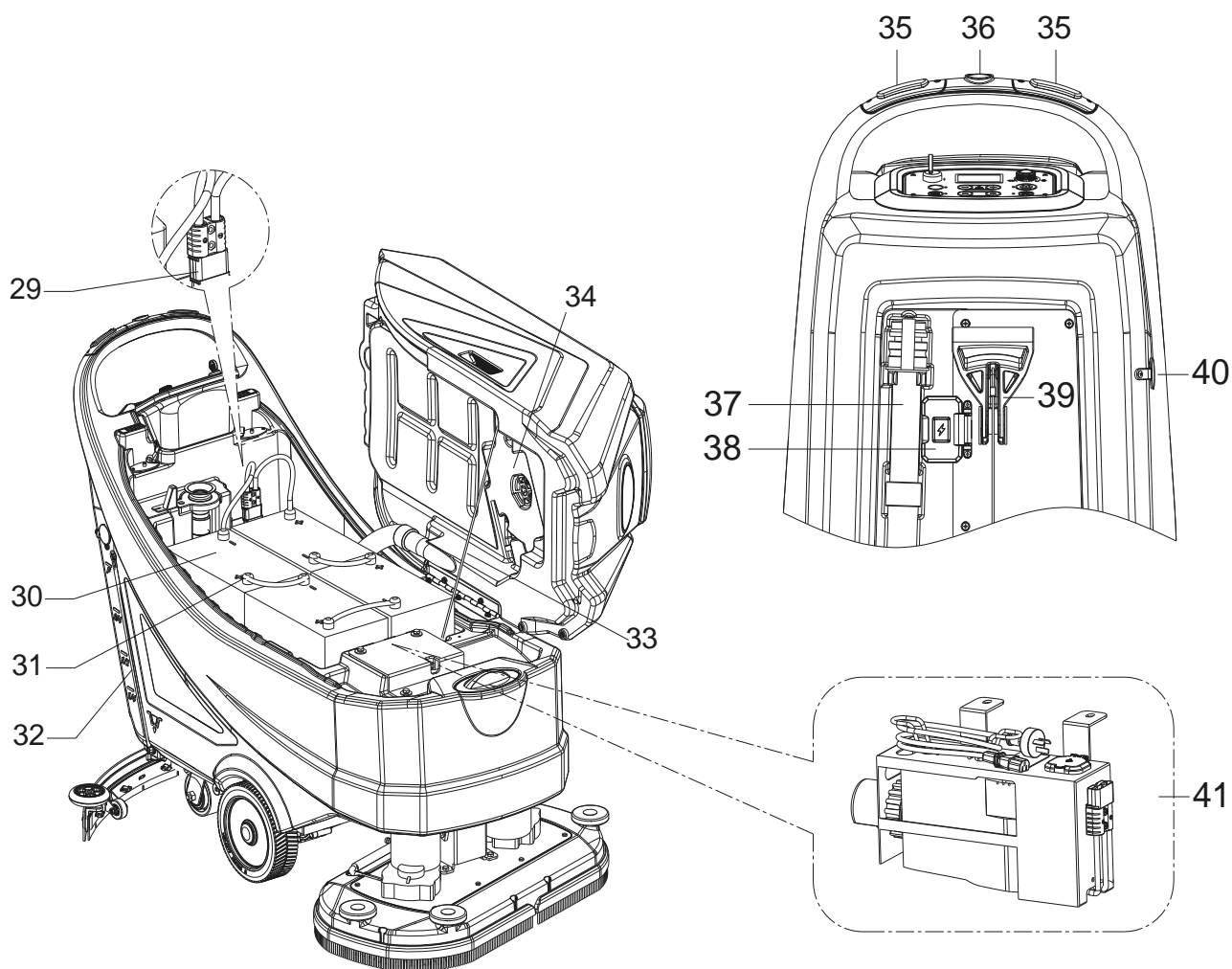
- | | |
|---|--|
| 1. Капак на резервоара за мръсна вода | 15. Панта |
| 2. Контейнер за препарат | 16. Резервоар за мръсна вода |
| 3. Дръжка за управление | 17. Капак на филтъра |
| 4. Панел за управление | 18. Държач на маркуча за пълнене |
| 5. Контролна кутия | 19. Рамка на филтъра |
| 6. Табела със серийния номер/технически параметри | 20. Уплътнение на капака на резервоара |
| 7. Капак на изхода | 21. Контейнер за боклук |
| 8. Регулатори на накрайника | 22. Филтър с поплавок |
| 9. Смукателен маркуч на накрайника | 23. Кранче за разтвора/чистата вода |
| 10. Регулатор за балансиране на накрайника | 24. Задни управляеми колела |
| 11. Накрайник | 25. Система от четки (само за дисков уред) |
| 12. Филтър за разтвора | 26. Предпазител срещу разливане |
| 13. Задвижващи колела | 27. Регулатор на орбиталната глава |
| 14. Резервоар за почистващ разтвор | 28. Орбитална система (само за орбитален уред) |



Фигура 1

УСТРОЙСТВО НА УРЕДА (както е указано на Фигура 2)

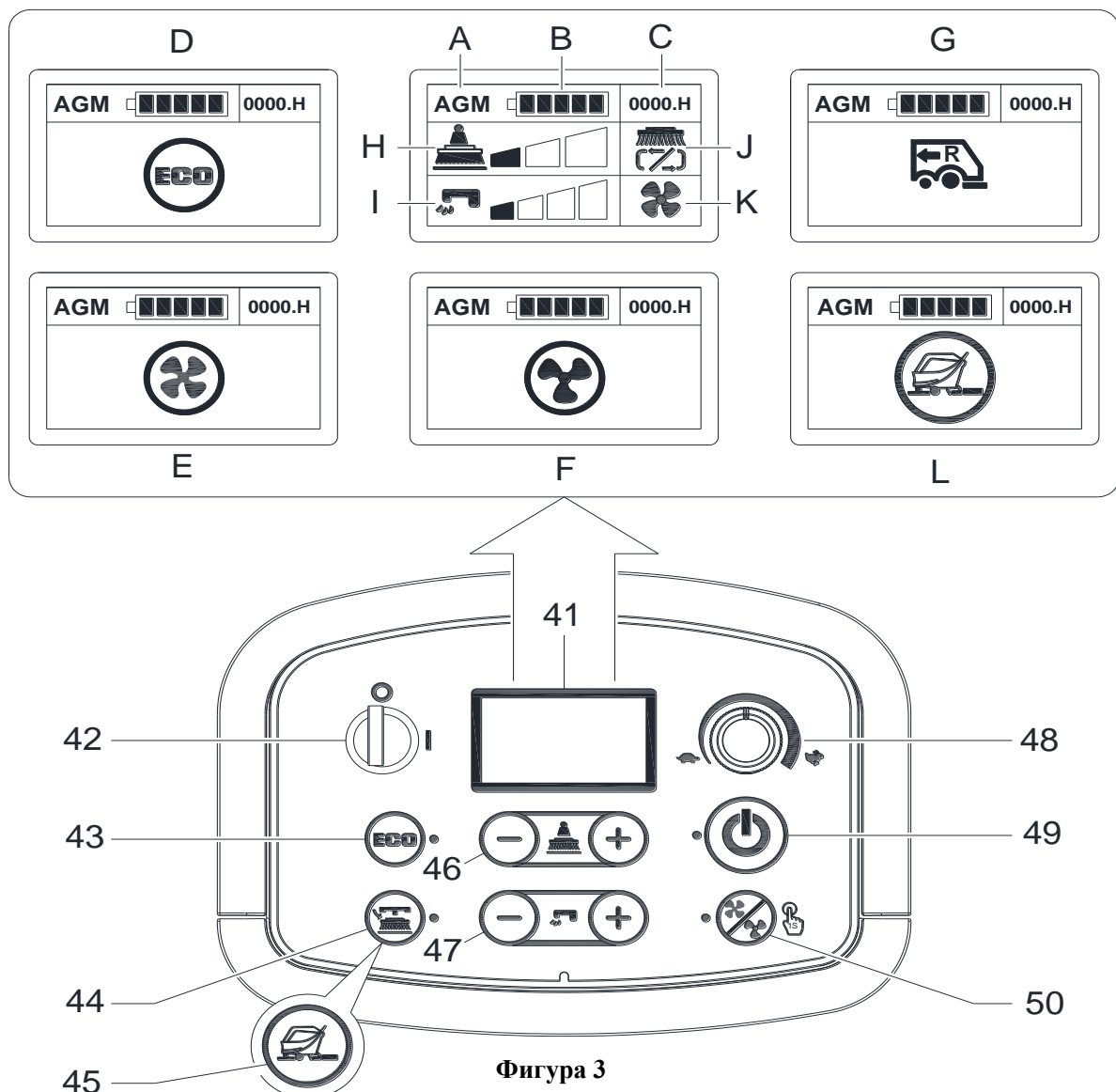
- | | |
|---|---|
| 29. Конектор на акумулатора (червен) | 36. Ключ за движение назад |
| 30. Акумулатори (*) | 37. Маркуч за източване на резервоара за мръсна вода |
| 31. Капачки на акумулаторите | 38. Защитен капак на жака за зареждане |
| 32. Индикаторна тръба за ниво на водата | 39. Ръкохватка за повдигане/сваляне на накрайника |
| 33. Обезопасен кабел на резервоара | 40. Капачка за странично зареждане на резервоара за почистващ разтвор |
| 34. Вакуумна система | 41. Вградено зарядно устройство (*) |
| 35. Предпазен ключ | (*): По избор |



Фигура 2

ПАНЕЛ ЗА УПРАВЛЕНИЕ (както е показано на фигура 3)

41. Мултифункционален дисплей
 - Показания на дисплея:
 - A) Тип акумулатор
 - B) Ниво на зареждане на акумулатора
 - C) Работни часове
 - D) Икономичен (ECO) режим
 - E) Нормален режим с вакуум
 - F) Безшумен режим с вакуум
 - G) Режим назад
 - H) Допълнително налягане активирано
 - I) Количество на подаване на почистващ разтвор
 - J) Работен режим с четки
 - K) Вакуумен режим
 - L) Режим на подготовка на пода
42. Ключ за запалване (0 - I)
43. Бутон за икономичен (ECO) режим
 - диодът отдолу свети – функцията е активирана
 - минимално подаване на вода (ниво 1)
 - минимално налягане (ниво 1)
 - прахосмукачката е в тих режим
44. Бутон за освобождаване на четка/почистваща подложка (само за дисков урод)
 - примигващи диоди – активирана система за освобождаване
45. Бутон за подготовка на пода (само за орбитален уред)
 - скорост на движение предварително зададена на 1 км/час
 - диодът отдолу свети – функцията е активирана
 - минимално подаване на вода (ниво 1)
 - Налягането е максимално (ниво 3)
 - прахосмукачката е в нормален режим
46. Бутон за регулиране на налягането на четките
47. Бутон за регулиране на подаването на почистващия разтвор
48. Регулатор на скоростта
49. Стартиращ бутон (Стартиране с един бутон)
 - диодът отдолу свети – функцията е активирана
 - минимално водно ниво (ниво 1)
 - минимално налягане (ниво 1)
 - вакуумна система е нормална
50. Бутон за регулиране на вакуумната система (дръж натиснат 1 секунда за активирането му)
 - светещ диод – нормален режим
 - примигващ диод – безшумен режим



Фигура 3

ТЕХНИЧЕСКИ ПАРАМЕТРИ

Тип параметър	Единици	Модел		
		AS6690T	AS7690T	AS7190TO
Вместимост на резервоара за почистващ разтвор	л / галони	85 л / 22 гал.		
Вместимост на резервоара за мръсна вода	л / галони	90 л / 24 гал.		
Дължина на уреда	мм/инчове	1490 мм/ 59 инча	1550мм/ 61 инча	1490 мм/ 59 инча
Ширина на уреда с накрайника	мм/инчове	830 мм/ 33 инча	950 мм/ 38 инча	
Ширина на уреда без накрайника	мм/инчове	730 мм/29 инча	830мм/33 инча	750мм/30 инча
Височина на уреда	мм/инчове	1020 мм/ 40,2 инча		
Работна повърхност	мм/инчове	660 мм/26 инча	760 мм/30 инча	710 мм/28 инча
Диаметър на водещите колела	мм/инчове	230 мм/9 инча		
Специфично налягане върху пода от водещите колела	N/mm ²	0,67 N/mm ²		
Диаметър на задните колела	мм/инчове	101 мм/4 инча		
Специфично налягане върху пода от задните колела	N/mm ²	0,82 N/mm ²		
Диаметър на четката/почистващата подложка	мм/инчове	330 мм x 2 / 13 инча x 2	380мм x 2 / 15 инча x 2	355x710 мм / 14x28 инча
Налягане на четката/почистващата подложката (максимално)	кг/паунди	32 кг / 71 паунда 41 кг /90 паунда 49 кг /108 паунда	35 кг / 77 паунда 43 кг /95 паунда 51 кг /112 паунда	42 кг / 93 паунда 54 кг / 120 паунда 65 кг / 143 паунда
Подаване на почистващ разтвор (максимално) на деление	л / галони за минута	(0,9/1,5/2,2/3) литра (0,24/0,39/0,58/0,79) галона		(0,6/1,1/1,9/2,5) литра (0,16/0,29/0,5/0,66) галона
Ниво на шума	dB (A)	69 ± 3 dB (A)		
Ниво на шума в икономичен (ECO) режим или в безшумен режим	dB (A)	65 ± 3 dB (A)		
Ниво на вибрация на дръжката (максимално)	m/s ²	< 2,5 m/c ²		
Изкачване (Максимално)	% градуса	2%		
Минимален проход при завиване	см/инчове	155 см/61 инча	165 см/65 инча	160 см/63 инча
Мощност на задвижващия мотор	ватове / конски сили	250 W / 0,33 конски сили		350 W / 0,47 конски сили
Работна скорост	км / мили в час	0 - 4,0 км / 0 - 2,5 мили в час		
Скорост напред	км / мили в час	0 - 4,0 км / 0 - 2,5 мили в час		
Скорост назад	км / мили в час	0 - 2,0 км / 0 - 1,25 мили в час		
Мощност на прахосмукачката	ватове / конски сили	500 W / 0,66 конски сили		
Дебит на прахосмукачката	мм/инча от H ₂ O	1500 мм / 60 инча за H ₂ O		
Дебит на прахосмукачката в икономичен (ECO) режим или в безшумен режим	мм/инча от H ₂ O	900 мм / 35 инча за H ₂ O		
Мощност на мотора на четката	ватове / конски сили	500 x 2 W / 0,66 x 2 конски сили		750 W / 1,0 конски сили
Скорост на четката в нормален режим	Обороти в минута (об./мин)	200 об./мин		2200 об./мин
Скорост на четката в икономичен (ECO) режим	Обороти в минута (об./мин)	160 об./мин		1600 об./мин
Клас на IP защита	IP	IP24		
Размери на отделението за акумулатора при зареждащо устройство извън корпуса (Д x Ш x В)	мм/инчове	(620 x 385 x 390) мм / 24,4 x 15,1 x 15,3 инча		
Размери на отделението за акумулатора при вградено зареждащо устройство (Д x Ш x В) (*)	мм/инчове	(535 x 385 x 390) мм / 21 x 15,1 x 15,3 инча		
Напрежение	Постоянен ток	24 V		
Акумулатори (*)	Ah	Неприложимо		
Време на работа на акумулатора (Стандартни акумулатори) (*)	Часове	До 4 часа		
Вградено зарядно устройство (*)	Волтове/ампери	24V 25A		
Производителност (макс.)	м ² /час	2640 м ² /час	3040 м ² /час	2272 м ² /час
Маса на машината с празни резервоари (без акумулаторите)	кг/паунди	135 кг / 298 паунда	138 кг / 304 паунда	148 кг / 326 паунда
Максимално общо тегло (GVW)	кг/паунди	347 кг / 765 паунда	350 кг / 772 паунда	360 кг / 794 паунда
Транспортно тегло	кг/паунди	202 кг / 444 паунда	205 кг / 451 паунда	215 кг / 473 паунда
Размери на опаковката (Д x Ш x В)	мм/инчове	(1620 x 810 x 1200 мм) / (64 x 32 x 48 инча)	(1660 x 910 x 1200 мм) / (66 x 36 x 48 инча)	

(*): По избор

ИНСТРУКЦИИ ЗА ЕКСПЛОАТАЦИЯ

**ВНИМАНИЕ!**

На няколко места върху уреда има табели, указващи:

- ОПАСНО!
- ВНИМАНИЕ!
- ПРЕДУПРЕЖДЕНИЕ!
- СЪВЕТ

Докато четете настоящото упътване, операторът трябва да обърне специално внимание на обозначенията върху тези табели. В никакъв случай не покривайте табелите и ги подменете веднага, в случай че са повредени.

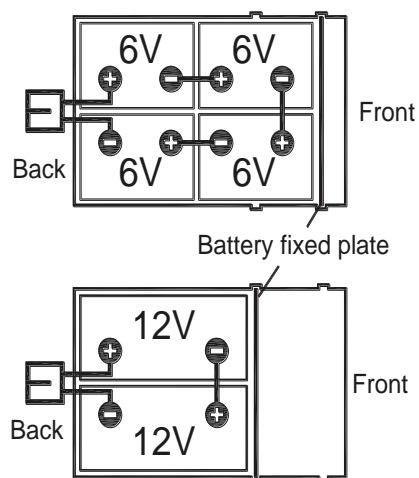
ПРОВЕРКА НА АКУМУЛАТОРА/НАСТРОЙКА НА НОВ УРЕД

**ВНИМАНИЕ!**

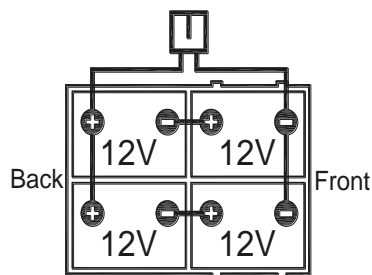
Електрическите компоненти на уреда могат да бъдат сериозно повредени, ако акумулаторите са или монтирани или свързани. Акумулаторите трябва да бъдат монтирани единствено от квалифициран за целта персонал. Настройте електронното табло и вграденото зарядно устройство спрямо вида на акумулатора (с ТЕЧНОСТ или с ГЕЛ/AGM). Преди да инсталирате акумулаторите, ги проверете за дефекти. Изключете конектора на акумулатора и конектора на зарядното устройство. С акумулаторите трябва да се борави изключително внимателно. Поставете върху клемите на акумулатора защитните капачки, които се предоставят заедно с уреда.

Акумулаторите вече са инсталирани на уреда

1. Уверете се, че акумулаторният конектор (29, фигура 2) е свързан.
2. Когато за пръв път използвате уреда с нови акумулатори, ги заредете напълно (вижте описание на процедурата в раздел Поддръжка).



Фигура 4

**ЗАБЕЛЕЖКА**

За уреда са необходими два акумулатора по 12V или четири акумулатора по 6V, свързани съгласно електрическата схема (фигура 4).

Поставете неподвижната плоча на акумулатора правилно съгласно (фигура 4).

Без акумулатори

1. Купете подходящи акумулатори (вижте параграфа Технически характеристики). За избор и монтаж на акумулаторите се обърнете към оторизиран търговец.
2. Настройте уреда съгласно вида на инсталираните акумулатори, както е показано в раздел Поддръжка.

МОНТАЖ НА АКУМУЛАТОРА И ИЗБОР НА НАСТРОЙКА СПРЯМО ВИДА НА АКУМУЛАТОРА (WET OR GEL/AGM OR DIS OR ENES)

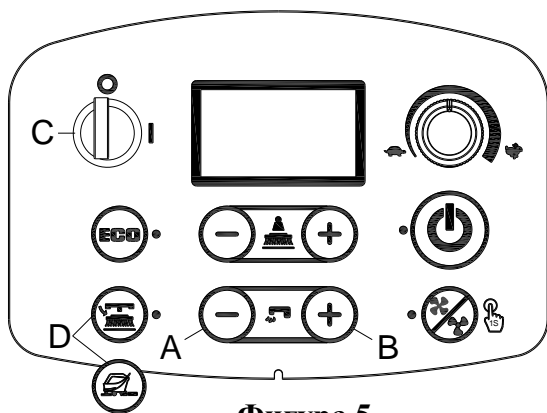
Монтаж на акумулатора

1. Отворете капака на резервоара за мръсна вода (1, фигура 1) и се уверете, че резервоарът за мръсна вода (16) е празен; в противен случай го източете посредством маркуча за източване. (37, фигура 2)
2. Затворете капака на резервоара за мръсна вода (1, фигура 1).
3. Повдигнете резервоара за мръсна вода (16, фигура 1) внимателно.
4. Уредът е снабден с кабели, подходящи за инсталиране на два 12V акумулатора или четири 6V акумулатора. Внимателно поставете акумулаторите в отделението, след което ги наместете плътно. Поставете неподвижната плоча на акумулатора правилно съгласно (фигура 4).
5. Прекарайте и монтирайте кабела на акумулаторите, както е показано на (Фигура 4), след което внимателно стегнете гайката на всяка една от клемите.
6. Поставете предпазната капачка на всяка клема и включете конектора на акумулатора (29, фигура 2).
7. Внимателно спуснете резервоара за мръсна вода (16) обратно на мястото му. 1).

Настройване на типа акумулатор (WET OR GEL/AGM OR DIS OR ENES)

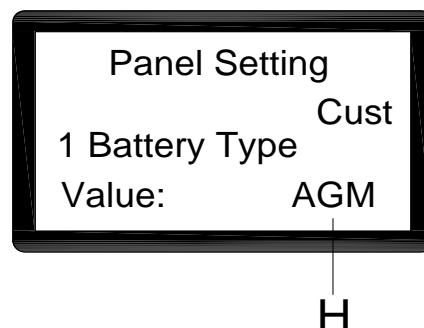
Достъп за избор на режим на акумулатора

Според вида на акумулатора (с течен електролит или гел/AGM), настройте уреда както следва:



Фигура 5

Access to select battery mode



Фигура 6

1. Натиснете бутона за подаване на вода „+“ (A, фигура 5) и „-“ (B, фигура 5) едновременно.
2. Вкарайте ключа за запалване (C, фигура 5) и го завъртете на „I“.
3. Няколко секунди по-късно влезте в режим на въвеждане на екрана за избор на режим на акумулатора (фигура 6)
4. Натиснете бутона за подаване на вода „-“ (A, фигура 5) и „+“ (B, фигура 5) за да изберете режима на акумулатора (H, фигура 6)
5. Натиснете бутона за освобождаване за версия на диска или бутона за подготовка на пода за орбитална версия (D, Фигура 5), 3 секунди по-късно ще се появи надпис „Update OK“ (Актуализирано ОК), което означава, че настройването е успешно, включете, за да рестартирате. (C, фигура 5)

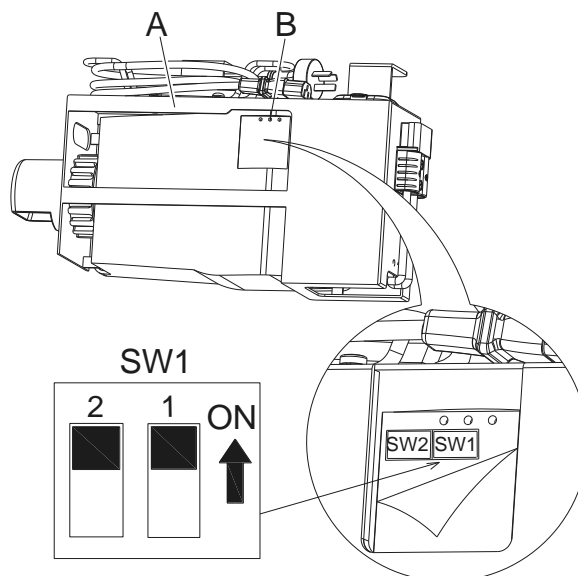
Настройване на зареждащото устройство на акумулатора (само ако зареждащото устройство е вградено в уреда)



ВНИМАНИЕ!

Не настройвайте зареждащото устройство, освен ако нямате професионално обучение за това

1. Изключете уреда и демонтирайте зареждащото устройство, вградено в корпуса (A, Figure.7) на уреда. След това разгледайте внимателно етикета върху капака на зареждащото устройство (B, фигура7). Ще намерите 2 комплекта потъващи бутони (SW1 и SW2) на зарядното.
2. Само групата от потъващи бутони SW1 (тези отляво) има влияние върху избора на крива на зареждане съгласно таблицата по-долу.



Фигура 7

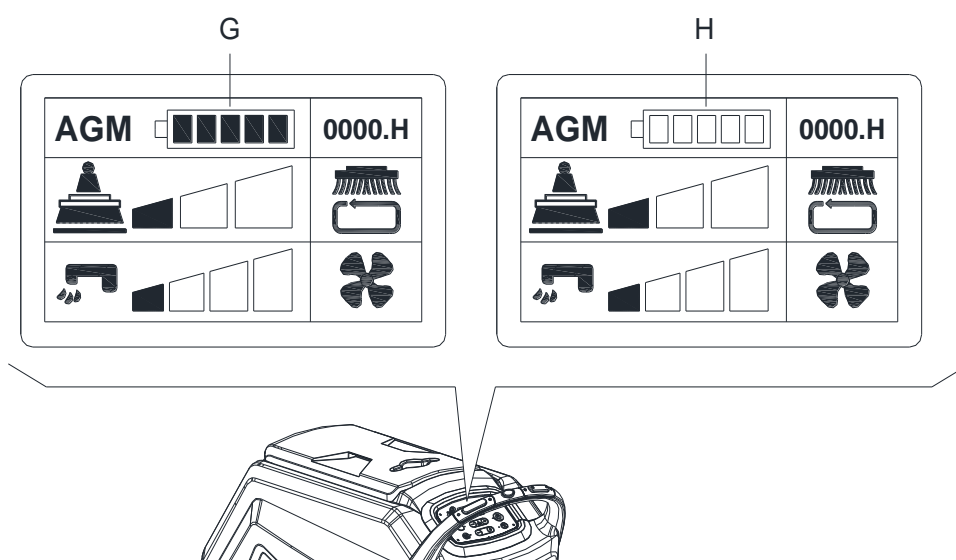
DP1	DP2	КРИВА НА ЗАРЕЖДАНЕ
ВКЛ.	ИЗКЛ.	IUIa-ACD за оловно-кисели (с течен електролит) акумулатори
ИЗКЛ.	ИЗКЛ.	IUIa-GEL за гел-акумулатори Exide Sonnenschein
ИЗКЛ.	ВКЛ.	IUU0-GEL за HAZE Gel и AGM акумулатори на други производители
ВКЛ.	ВКЛ.	IUIUa-AGM за Discover AGM акумулатори

Зареждане на акумулатора

Заредете напълно акумулаторите (виж процедурата в раздел Поддръжка).

Разреждане на акумулаторите

Когато символът за акумулаторите е пълен (G, фигура 8), акумулаторите осигуряват нормална работа на уреда. Когато се появи символ за изтощени акумулатори (H, фигура 8), акумулаторите трябва да бъдат заредени. Няколко секунди след като се появи символът за изтощени акумулатори, държачът на четката/подложката автоматично се изключва, но задвижващата система остава включена. Придвигете уреда до зоната, предназначена за зареждане.



Фигура 8



ПРЕДУПРЕЖДЕНИЕ!

Когато батериите са разредени, заредете ги възможно най-скоро, тъй като иначе се скъсява животът им. Проверявайте заредеността на батериите поне веднъж седмично.

МОНТАЖ НА ДЪРЖАЧА НА ЧЕТКИ/ПОДЛОЖКИ И ДЕМОНТАЖ (само за дисков уред)**ЗАБЕЛЕЖКА**

ЗАБЕЛЕЖКА Монтирайте или четката (А, Фигура 9) или накрайника с подложката (В и С, Фигура 9) спрямо подовата повърхност, която трябва да се почисти.

**ПРЕДУПРЕЖДЕНИЕ!**

Преди да монтирате или демонтирате държача за четката или почистващата подложка, уверете се, че всички ключове на уреда са в положение изключено и накрайникът е повдигнат от пода. Операторът трябва да има подходящи защитни средства като ръкавици, за да намали риска от инциденти.

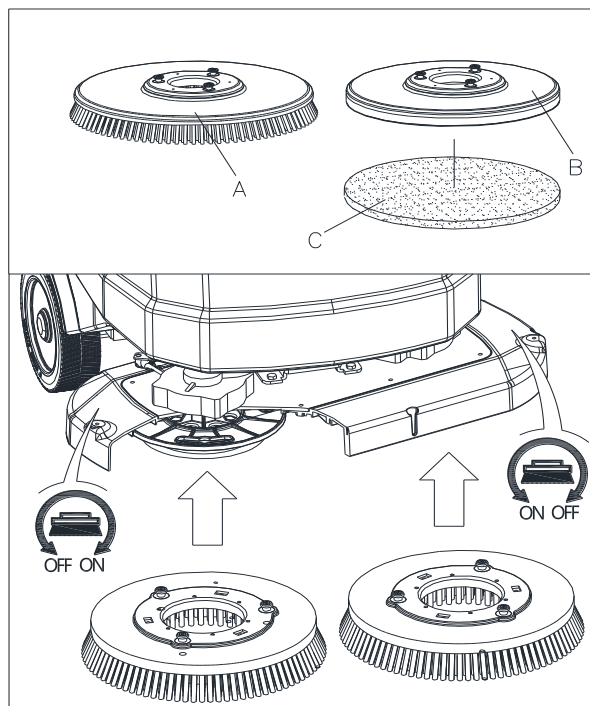
Направете следното:

МОНТАЖ:

1. Вкарайте ключа за запалване (42, фигура 3) и го завъртете в положение „I“. Повдигнете дека. Изключете уреда, като извадите ключа за запалване (42).
2. Завъртете регулатора на скоростта (48) в положение работа на място, като го движите обратно на часовниковата стрелка.
3. Монтирайте четките (А, фигура 9) или държача за почистващата подложка (В) под дека.
4. Направете го ръчно, като завъртите държача на четките/подложките в посока, обратна на нормалното въртене, и може да бъде инсталиран (както е показано на фигура 9)

ДЕМОНТАЖ:

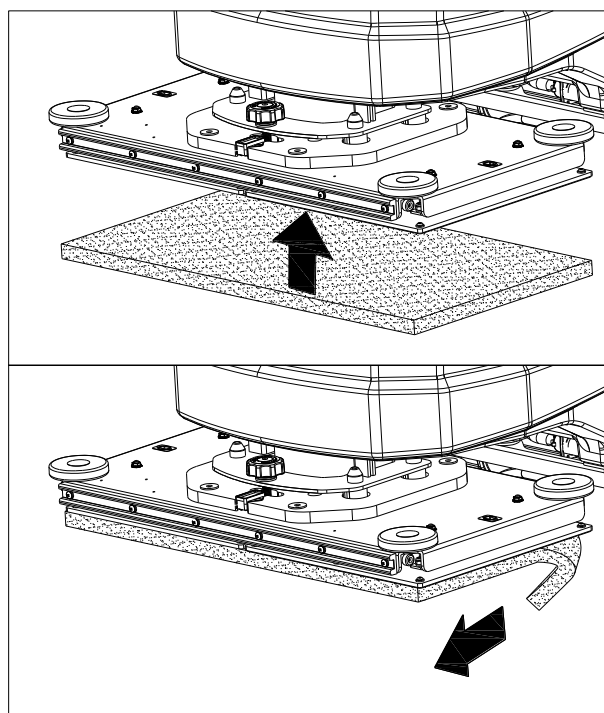
1. Вкарайте ключа за запалване (42, фигура 3) и го завъртете в положение „I“. За да извадите държача за четки/подложки, повдигнете дека, като натиснете бутона за освобождаване на държача на четки/подложки (44), държачът на четки/подложки ще бъде освободен автоматично.



Фигура 9

МОНТАЖ НА ПОДЛОЖКА ЗА ПОЧИСТВАНЕ И ДЕМОНТАЖ (само за орбитален уред)

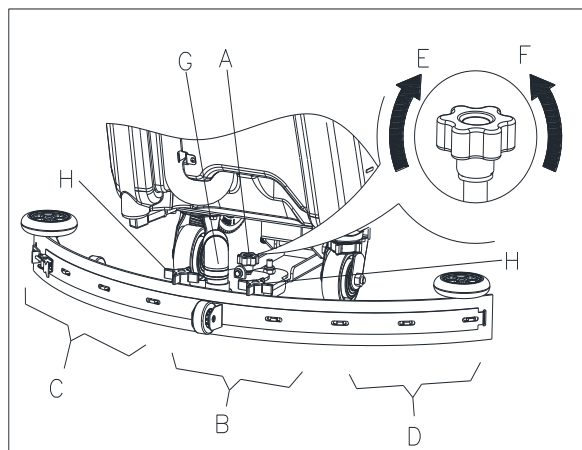
1. Вкарайте ключа за запалване (42, фигура 3) и го завъртете в положение „I“. Повдигнете дека. Изключете уреда, като извадите ключа за запалване.
2. Поставете ръчно или извадете подложката за почистване, както е показано (фигура 10)



Фигура 10

РЕГУЛИРАНЕ НА НАКРАЙНИКА

1. Монтирайте накрайника и затегнете гайките (Н, фигура 11), след което свържете смукателния маркуч (G) към накрайника.
2. Настройте накрайника посредством лоста за регулиране (А, Фигура 11).
 - a) Ако има разстояние между пода и средната секция в задната част на накрайника (В), завъртете регулатора (А) обратно на часовниковата стрелка (F), докато всички секции в задната част на накрайника се опрат добре до пода, предната част се опира до пода леко.
 - b) Ако има луфт под двете крайни секции на накрайника (С и D), завъртете регулатора (А) по посока на часовниковата стрелка (Е), докато накрайникът прилепне към пода по цялата си дължина. Предната част на накрайника трябва едва да докосва пода.



Фигура 11

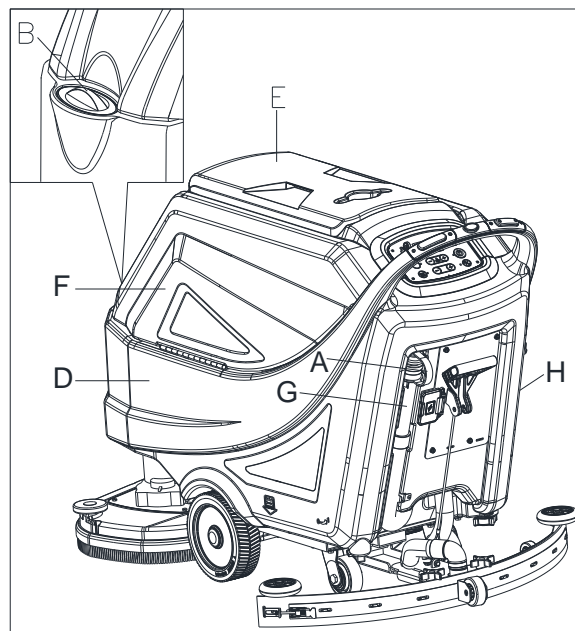
ПЪЛНЕНЕ НА РЕЗЕРВОАРА ЗА ПОЧИСТВАЩА ТЕЧНОСТ

1. Отворете капака на отвора за водата (В, Фигура 12).
2. През отвора с филтър сипете вода или почистващ разтвор в зависимост от вида на почистването.
Температурата на разтвора не бива да надвишава +104F (+40°C).
3. Не препълвайте резервоара. За да прецените обема на водата, проверете индикатора за ниво на водата (Н).



ВНИМАНИЕ!

Използвайте само почистващи препарати, които не образуват пяна, не са леснозапалими и са подходящи за автоматични уреди за почистване.



Фигура 12

СТАРТИРАНЕ И СТОПИРАНЕ НА МАШИНАТА

Стартиране на машината

1. Подгответе уреда, както е описано в предходния раздел.
2. Вкарайте ключа за запалване (А, фигура 13) и го завъртете в положение „I“. Проверете състоянието на акумулаторите на екрана на дисплея. Ако е необходимо, заредете акумулаторите (виж процедурата в раздел Поддръжка).
3. Придвигнете уреда до зоната за работа:
 - Натиснете или безопасен ключ (F) за движение напред, или натиснете едновременно безопасен ключ (F) и ключ за задно движение (G) за придвижване назад. Скоростта на предната предавка може да се регулира посредством регулатора (H).
4. Свалете накрайника (I) с ръкохватката за повдигане/сваляне на накрайника (J).
5. Свалете платформата с четката/почистващата подложка (K), като натиснете стартиращия бутон (L).
6. Натиснете бутоните за регулиране на водната струя (O) ако е необходимо, в зависимост от вида на почистващата дейност.
7. Започнете почистването:
 - Натиснете и двата стартиращи бутона (F), за да активирате задвижването на уреда. Ако е необходимо, скоростта на предна предавка може да се променя с помощта на регулатора (H).



ЗАБЕЛЕЖКА

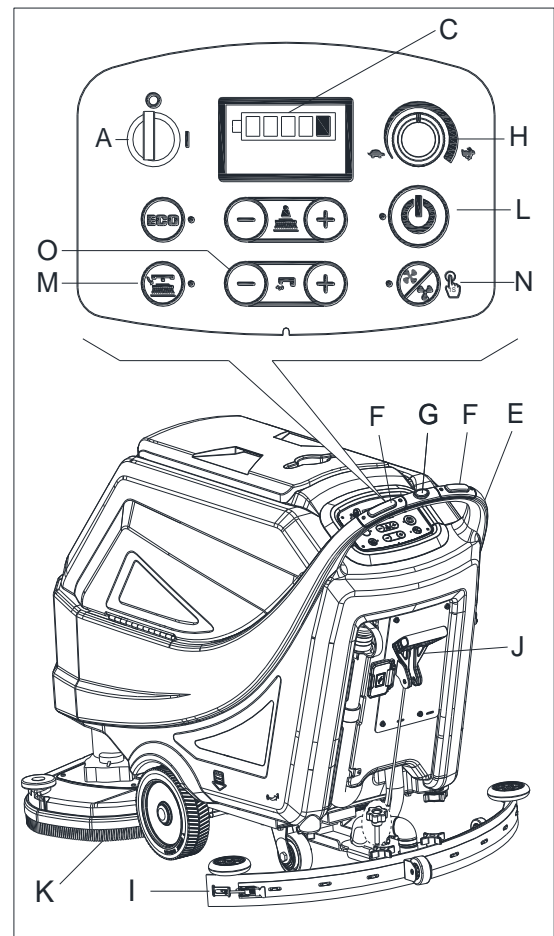
За да придвижите уреда напред, натиснете или левия, или десния пусков бутон (F, фигура 13), или и двата.

Изключване на уреда

8. Спрете уреда, като освободите двата пускови бутона (F, фигура 13)
9. Четките спират. Смукателната система се изключва след няколко секунди.
10. Повдигнете платформата с четката/почистващата подложка (K), като натиснете стартиращия бутон (L).
11. Повдигнете накрайника (I) с ръчката за повдигане/сваляне на накрайника (J).
12. Завъртете ключа за запалване (A) в позиция „0“.
13. Уверете се, че уредът не може да се задвижи самостоятелно.

РАБОТА НА МАШИНАТА (ПОЧИСТВАНЕ И ПОДСУШАВАНЕ)

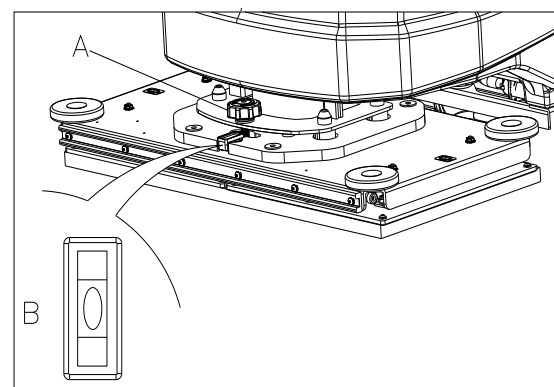
1. Стартирайте уреда според описанието по-горе.
2. Докато натискате и двата пускови бутона (35, фигура 2), движете машината и започнете да почиствате/подсушавате пода.
3. Ако е необходимо, изключете уреда и регулирайте накрайника съгласно указанията за „Регулиране на накрайника“.



Фигура 13

РЕГУЛИРАНЕ НА НИВОТО НА ОРБИТАЛНАТА ПЛАТФОРМА (САМО ЗА ОРБИТАЛНИ УРЕДИ)

1. Вкарайте ключа за запалване (42) и го завъртете в положение „I“. Свалете платформата с четката/почистващата подложка (25), като натиснете стартиращия бутон (49).
2. Нивелирайте орбиталната платформа с помощта на ръчката (A, фигура 14), така че балончето да е в центъра (B, фигура 14).



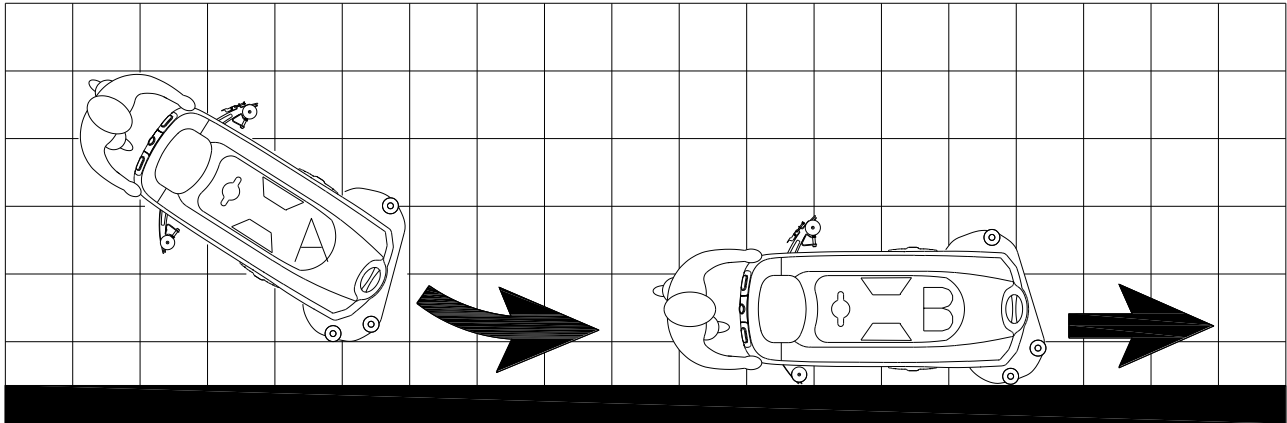
Фигура 14

**ЗАБЕЛЕЖКА**

За правилно почистване/подсушаване на подове в съседство със стени. Съветът е да се приблизите до стената с дясната страна на уреда (А и В, фиг. 15), както е показано на фигурата.

**ПРЕДУПРЕЖДЕНИЕ!**

За да не повредите подовата повърхност, изключвайте четката/почистващата подложка, когато уредът спре на място, особено когато е включена функцията за допълнително налягане.



Фигура 15

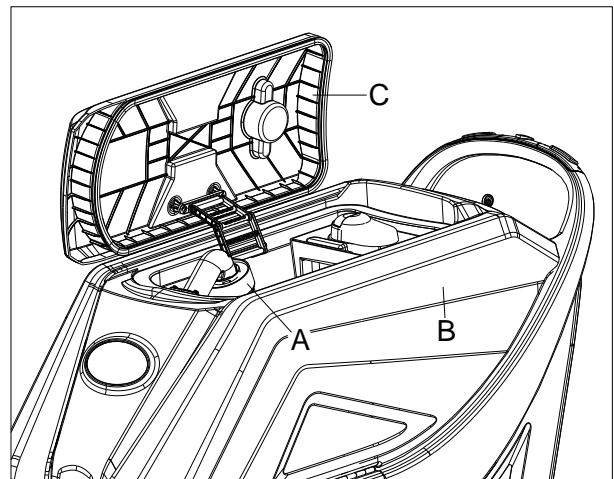
ИЗТОЧВАНЕ НА РЕЗЕРВОАРИТЕ

Автоматична спирателна система с поплаък (А, фигура 16) блокира смукателната система, когато резервоарът за мръсна вода (В) е пълен. Спирането на смукателната система се сигнализира с внезапно увеличаване на шума на мотора на прахосмукачката, а подовата повърхност остава неподсушена.

**ПРЕДУПРЕЖДЕНИЕ!**

Ако смукателната система (прахосмукачката) се изключи случайно (например, ако поплаъкът се задвижи при рязко движение на уреда), за да продължите работа: изключете смукателната система с натискане на ключа (50, фигура 3), след което отворете капака (С, фигура 16) и проверете дали поплаъкът в решетката (А) се е изравнил с нивото на водата. След това затворете капака (С) и включете смукателната система (прахосмукачката), като натиснете ключа (50, фигура 3).

Когато резервоарът за мръсна вода (В, фигура 16) се напълни, източете го в съответствие с долната процедура.



Фигура 16

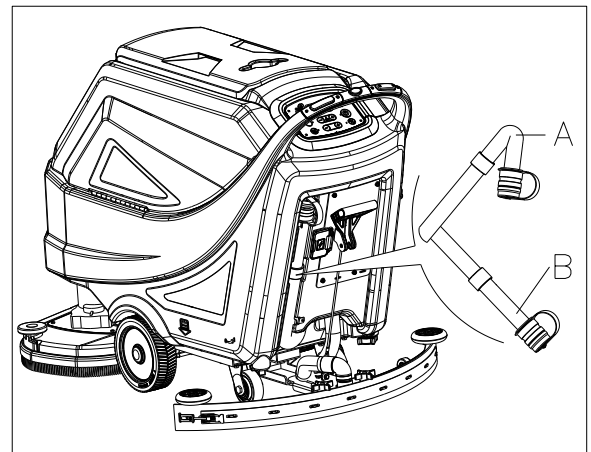
Източване на резервоара за мръсна вода

1. Изключете уреда.
2. Повдигнете държача на четката/почистващата подложка (25, фигура 1), като натиснете стартиращия бутон (49, фигура 3), или рестартирате уреда с ключа за запалване (42, фигура 3).
3. Повдигнете накрайника (11, фигура 1) с ръчката за повдигане/спускане на накрайника (39, фигура 2).
4. Придвижете уреда до определената зона за обслужване.
5. Източете резервоара за мръсна вода, като използвате маркуча (А, фигура 17). След това изплакнете резервоара (В, фигура 16) с чиста вода.



ПРЕДУПРЕЖДЕНИЕ!

При източване на мръсната вода смукателният маркуч трябва да бъде огънат (А, фигура 17) и поставен в най-долно положение (В, фигура 17), след което можете да отворите капака на смукателната тръба, за да източите водата. Не насочвайте долния край на смукателната тръба вертикално към сифона. Така операторът няма да се напръска.



Фигура 17

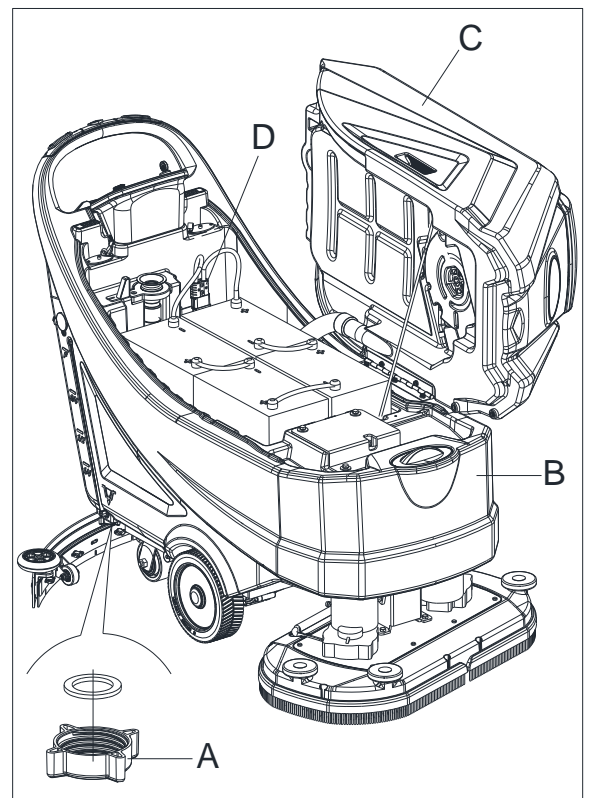
Източване на резервоара за почистващ разтвор/вода

1. Изпразнете резервоара с почистващ препарат (А, фигура 18). След употреба изплаквайте резервоара с чиста вода.

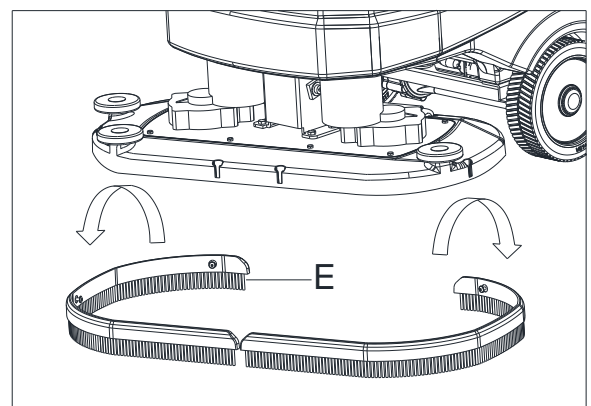
СЛЕД УПОТРЕБА НА УРЕДА

След употреба и преди да приберете уреда:

1. Отстранете скобите на четката/почистващата подложка, като натиснете бутон (44, фигура 3) и ги почистете (само за дисков уред).
2. Отстранете предпазителя срещу разливане (Е, фигура 19) и го почистете. (само за дисков уред).
3. Отстранете почистващата подложка и я почистете. (само за орбитален уред).
4. Източете резервоарите (В и С, фигура 18) според описаните в предишния параграф стъпки.
5. Извършете ежедневната поддръжка (вижте раздел Поддръжка).
6. Приберете уреда на чисто и сухо място, като предварително вдигнете или демонтирате накрайника с четката/почистващата подложка.



Фигура 18



Фигура 19

СЪХРАНЕНИЕ НА УРЕДА ПРИ ПРОДЪЛЖИТЕЛНО НЕИЗПОЛЗВАНЕ

Ако не възнамерявате да използвате уреда в продължение на повече от 30 дни, направете следното:

1. Изпълнете стъпките от раздел След употреба на уреда.
2. Изключете конектора на акумулатора (29, Фигура 2).

ПЪРВИ ПЕРИОД НА ИЗПОЛЗВАНЕ

След първите 8 часа проверете дали затварящите и свързващи елементи са добре затегнати и огледайте видимите части за износване или течове.

ПОДДРЪЖКА



ВНИМАНИЕ!

Процедурите по поддръжка трябва да се извършват само при изключен уред и кабел на зарядното устройство. Също така, внимателно прочетете инструкциите в раздел Безопасност от това ръководство.

Всички процедури по поддръжката, независимо дали по график или извънредни, трябва да се извършват от квалифициран персонал или от упълномощен Сервизен център. Това ръководство описва само най-лесните и най-често прилагани процедури по поддръжката.

За всички останали процедури по поддръжката, които не са споменати в Таблицата с график за поддръжка, проверете в Ръководството за сервизно обслужване, което можете да получите във всеки Сервизен център.

ТАБЛИЦАТА С ГРАФИКА ЗА ПОДДРЪЖКА



ПРЕДУПРЕЖДЕНИЕ!

Процедурите, маркирани с (1) трябва да се извършват след първите 8 часа работа. Процедурите, маркирани с (2) трябва да се извършват в оторизиран Сервизен център.

Процедура	Ежедневно непосредствено след употреба	Седмично	На шест месеца	Ежегодно
Зареждане на акумулатора				
Почистване на накрайника				
Почистване на държача на четката/почистващата подложка				
Почистване на резервоара				
Проверка на уплътнението на резервоара				
Почистване на филтъра на поплавъка				
Почистване на почистващата подложка				
Почистване на предпазителя срещу разливане (само за дисков уред)				
Проверка и подмяна на пластините на накрайника				
Почистване на резервоара за чиста вода				
Почистване на филтъра за разтвора				
Проверка на нивото на течността в мокрия акумулатор				
Проверка за натягането на винтовете и гайките			(1)	
Долен изолатор (само за орбитален уред)			(2)	
Проверка или смяна на карбоновата четка на мотора на четката				(2)
Проверка или смяна на карбоновата четка на мотора на прахосмукачката				(2)
Проверка или смяна на карбоновата четка на задвижващия мотор				(2)

ÚVOD**UPOZORNĚNÍ!**

V této příručce nejsou zahrnuty některé všeobecné a podrobné informace o přístroji. Přečtěte si prosím RYCHLOU PŘÍRUČKU na dodaném CD-ROMu, který lze otevřít v Adobe® Reader®.

**POZNÁMKA**

Čísla v závorkách se vztahují k součástem uvedeným v kapitole Popis přístroje.

ÚČEL A OBSAH PŘÍRUČKY

Účelem této rychlé příručky je poskytnout osobě obsluhující zařízení všechny základní informace ke správnému použití tohoto zařízení. Pro informace o technickém popisu, provozu, nečinnosti přístroje, údržbě, náhradních dílech a bezpečnostních podmínkách atd. si prosím přečtěte RYCHLOU PŘÍRUČKU na dodaném CD ROMu.

Před zahájením jakýchkoli prací na přístroji je nutné, aby si pracovníci obsluhy a kvalifikovaní technici přečetli rychlou příručku. V případě pochybností ohledně interpretace pokynů či jakýchkoli dalších informací prosím kontaktujte naši společnost.

JAK UCHOVÁVAT TUTORYCHLOU PŘÍRUČKU

Rychlá příručka musí být uložena v blízkosti přístroje, uvnitř adekvátní skříně, mimo dosah tekutin a jiných látek, které by ji mohly poškodit.

PROHLÁŠENÍ O SHODĚ

Prohlášení o shodě je součástí dodávky přístroje a potvrzuje shodu přístroje s platným zákonem.

**POZNÁMKA**

Kopie původního prohlášení o shodě jsou poskytovány spolu s dokumentací přístroje.

PŘÍSLUŠENSTVÍ A ÚDRŽBA

Všechny potřebné úkony, údržbu a opravy musí provádět kvalifikovaný personál nebo servisní střediska naší společnosti. Je nutné používat POUZE autorizované náhradní díly a příslušenství.

Pokud je třeba objednat náhradní díly nebo příslušenství, kontaktujte prosím naše oddělení péče o zákazníky.

ZMĚNY A VYLEPŠENÍ

Naše společnost své produkty neustále zlepšuje. Společnost si vyhrazuje právo na změny a vylepšení produktů, a to bez předchozího upozornění.

ÚČEL POUŽITÍ

Tento mycí stroj je určen pro obchodní a průmyslové použití. Je vhodný k čištění hladkých a tvrdých podlah a musí být používán odbornými pracovníky a v bezpečném prostředí. Tento přístroj není určen pro venkovní použití, čištění koberců a hrubých podlah.

ÚDAJE PRO IDENTIFIKACI PŘÍSTROJE

Výrobní číslo a název modelu přístroje jsou vyznačeny na výrobním štítku.

Tyto informace jsou užitečné. Pomocí následující tabulky si poznamenejte identifikační údaje přístroje pro případnou potřebu objednání náhradních dílů.

MODEL PŘÍSTROJE.....
VÝROBNÍ ČÍSLO PŘÍSTROJE.....

DODÁVKA A VYBALENÍ

Při dodání prosím zkontrolujte, zda nebyl obal a přístroj během dodávky poškozen. V případě viditelného poškození na tuto skutečnost upozorněte dopravce ještě před přijetím zboží. Máte právo na náhradu škody.

Při vybalování přístroje postupujte striktně dle pokynů na obalu.

Zkontrolujte, zda zásilka obsahuje následující položky:

1. Technická dokumentace rychlé příručky
2. Seznam dílů (*).
3. Připojení baterie.
4. Návod k elektronické nabíječce baterií (pokud je nainstalovaná) (*)

BEZPEČNOST

Následující symboly označují potenciálně nebezpečné situace. Tyto informace si vždy pozorně přečtěte a přijměte veškerá nutná opatření na ochranu majetku a zdraví osob.

VIDITELNÉ SYMBOLY NA PŘÍSTROJI**VAROVÁNÍ!**

Před jakýmkoli úkonem obsluhou přístroje si pečlivě přečtěte všechny pokyny.

**VAROVÁNÍ!**

Nemyjte přístroj pod přímým nebo tlakovým proudem vody.

**VAROVÁNÍ!**

Nepoužívejte stroj na svazích se sklonem větším, než je uvedeno ve specifikaci.

SYMBOLY, KTERÉ SE OBJEVUJÍ NA RYCHLÉ PŘÍRUČKY**NEBEZPEČÍ!**

Označuje nebezpečnou situaci s nebezpečím s následkem smrti pracovníků obsluhy.

**VAROVÁNÍ!**

Označuje potenciální riziko zranění osob.

**UPOZORNĚNÍ!**

Označuje upozornění nebo poznámku související s důležitými nebo užitečnými funkcemi. Věnujte pozornost odstavcům označeným tímto symbolem.

**POZNÁMKA**

Vztahuje se k důležitým nebo užitečným funkcím.

**DOPORUČENÍ**

Označuje nutnost přečíst si před kterýmkoliv úkonem Rychlou příručku.

VŠEOBECNÉ BEZPEČNOSTNÍ POKYNY

Níže jsou uvedena zvláštní varování a upozornění informující o případných poškozeních týkajících se osob a přístroje.



NEBEZPEČÍ!

- Tento přístroj musí provozovat vyškolení a autorizovaní pracovníci podle pokynů v příručce.
- Před provedením jakékoli údržby, opravy nebo výměny si pozorně přečtěte všechny instrukce, vypněte zařízení a odpojte konektor baterie.
- S přístrojem v blízkosti toxických, nebezpečných, hořlavých a/nebo explozivních prachových a tekutých materiálů nebo výparů. Tento stroj není vhodný pro sběr nebezpečných prášků.
- Při práci v blízkosti elektrických částí nenoste žádné šperky.
- Nepracujte pod zvednutým přístrojem, který nepodpírají bezpečnostní stojany.
- Olovené baterie (MOKRÉ) mohou za běžného použití uvolňovat hořlavý plyn. Baterie nevystavujte jiskrám, plamenům, kouřícím materiálům, zářícím a hořícím předmětům.
- Olovené baterie (MOKRÉ) mohou při nabíjení uvolňovat plynný vodík, který může způsobit výbuch. Zajistěte, aby místnost, kde se baterie nabíjí, byla dobře větraná a mimo dosah otevřeného ohně.



VAROVÁNÍ!

- Tento stroj je určen pro KOMERČNÍ ZPŮSOB POUŽITÍ, například v hotelech, školách, nemocnicích, továrnách, obchodech, kancelářích a půjčovnách.
- Stroje ponechané bez dozoru musí být nutně zajištěny proti neúmyslnému pohybu.
- Aby se zabránilo neoprávněnému použití stroje, je nutné vypnout zdroj napájení nebo jej zablokovat, například vyjmutím klíče z hlavního vypínače nebo klíče zapalování.
- Před každým použitím přístroj pečlivě zkontrolujte. Před použitím se ujistěte, že všechny komponenty byly správně smontovány. V opačném případě může dojít k poškození majetku a zranění osob.
- Před použitím nabíječky baterií se ujistěte, že hodnoty frekvence a napětí uvedené na výrobním štítku přístroje se shodují se sítí.
- Nikdy přístroj nepřemisťujte tažením za kabel nabíječky baterií. Nedovolte, aby kabel vedl přes zavřené dveře či přes ostré hrany a rohy. Přístroj nezapínejte, pokud se baterie nabíjí. Držte kabel nabíječky baterií mimo dosah horkých povrchů.
Baterie nenabíjejte, pokud jsou kabel nabíječky baterií či zástrčka poškozené.
- Chcete-li snížit riziko požáru, úrazu elektrickým proudem nebo zranění, před opuštěním přístroje se ujistěte, že je vypnutý.
- používejte a ukládejte v suchých podmínkách interiéru. Přístroj se nesmí používat ve venkovních podmínkách.
- Teplota pro skladování a pracovní teplota přístroje se musí pohybovat mezi 0 °C a +40 °C, vlhkost vzduchu musí být v rozmezí 30 % - 95 %.
- Přístroj nepoužívejte na plochách se sklonem převyšujícím uvedené specifikace.
- Při použití a manipulaci s podlahovými čisticími prostředky postupujte dle pokynů na etiketách čisticích prostředků a noste vhodné rukavice a ochranné prostředky.
- Používejte kartáče a podložky dodávané s přístrojem nebo uvedené v tomto návodu. Použití jiných kartáčů nebo podložek by mohlo snížit bezpečnost přístroje.
- V případě poruchy přístroje se ujistěte, že porucha není způsobena nedostatečnou údržbou. V případě potřeby požádejte o pomoc autorizovaného pracovníka či autorizované servisní středisko.
- Proveďte všechna nezbytná opatření, aby se do pohyblivých částí zařízení nezachytily vlasy, šperky a volné oblečení.
- Přístroj nepoužívejte zejména v prašných prostorách.

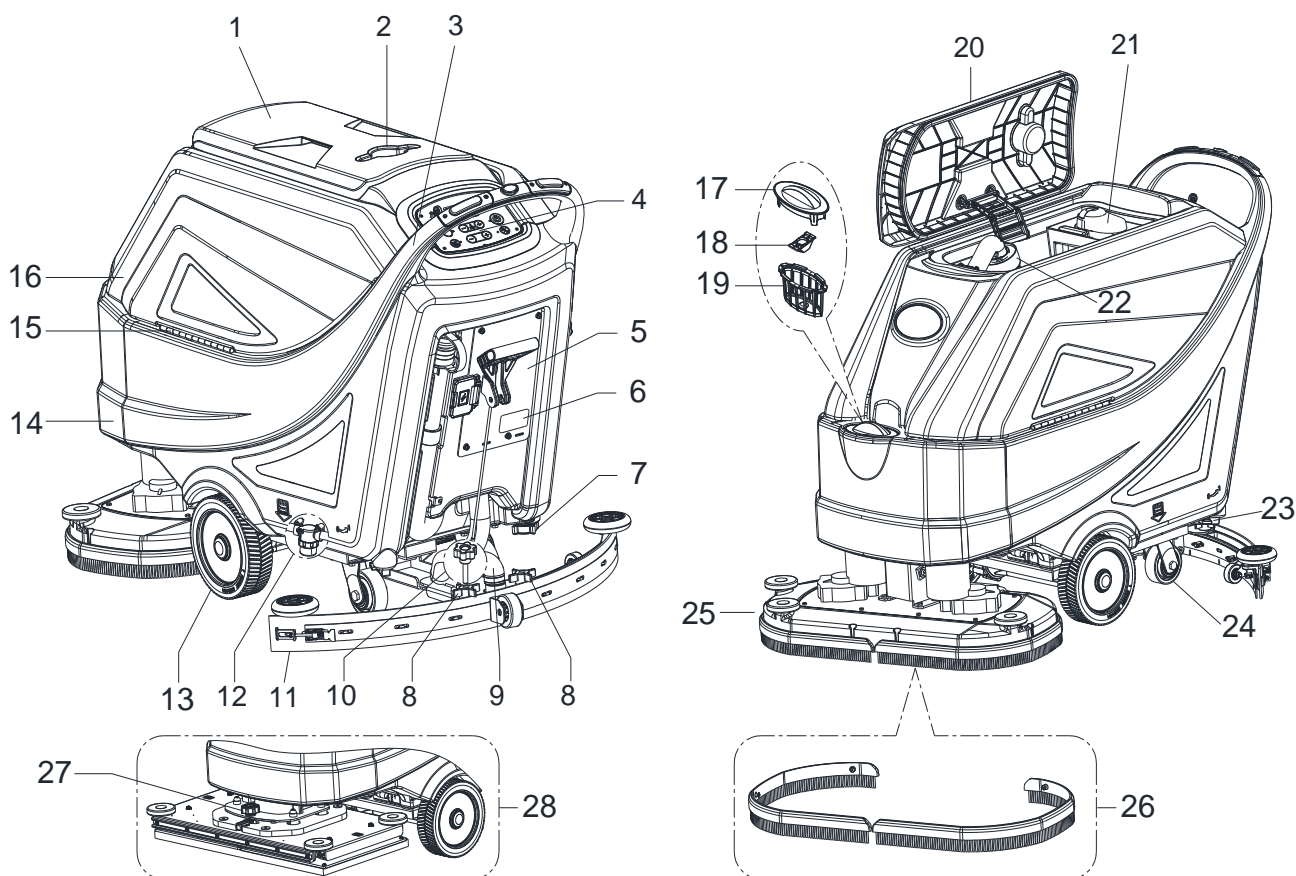
- Přístroj nemyjte hadicí nebo tlakovými vodními tryskami či korozními látkami.
- Dbejte na to, abyste nenarazili do regálů či lešení, zejména tam, kde je riziko padajících předmětů.
- Neopírejte o přístroj nádoby s tekutinami. Použijte vhodný držák.
- Zajistěte, aby byly kartáč/podložka vypnuté, zatímco je přístroj v klidu, aby nedošlo k poškození podlahy.
- V případě požáru použijte suchý práškový hasicí přístroj. Nepoužívejte tekuté hasicí přístroje.
- Neodstraňujte ani neupravujte štítky na přístroji.
- Bezpečnostními prvky zařízení svévolně nemanipulujte a postupujte přesně podle pokynů pro obvyklou údržbu.

- Pokud teplota klesne pod bod mrazu, věnujte při přepravě zařízení zvýšenou pozornost. Voda v nádrži na vodu a v hadicích by mohla zmrznout a přístroj vážně poškodit.
- Pokud je třeba vyměnit náhradní díly, objednejte si **ORIGINÁLNÍ** náhradní díly od autorizovaných prodejců.
- Pokud přístroj nepracuje jako obvykle nebo pokud je poškozený, stál venku nebo se namočil, odvezte ho do servisního střediska.
- Zajištění správného a bezpečného provozu přístroje je v příslušné kapitole tohoto návodu uvedena plánovaná údržba, kterou smí provádět pouze autorizovaní pracovníci nebo servisní středisko.
- Přístroj musí být řádně zlikvidován z důvodu přítomnosti škodlivých toxických materiálů (baterie atd.), které podléhají předpisům, jež předepisují likvidaci ve specializovaných zařízeních (viz kapitola Likvidace přístroje).
- Tento stroj je pouze čisticí nástroj, nemá sloužit k jiným účelům.
- Otvory přístroje vždy udržujte od prachu, vlasů a jiných cizích látek, které by mohly snížit proudění vzduchu. Zařízení nepoužívejte, pokud jsou otvory zanesené.
- Přístroj používejte pouze v prostorech s řádným osvětlením.
- Tento stroj není určen k použití osobami (včetně dětí) se sníženými fyzickými, smyslovými nebo mentálními schopnostmi nebo s nedostatkem zkušeností a znalostí.
- Pokud je přístroj používán v blízkosti dětí, je nutná zvýšená pozornost.
- Děti by měly být pod dozorem, aby si s přístrojem nehrály.
- Při použití tohoto stroje dávejte pozor, abyste někoho nezranili či nepoškodili okolní předměty.
- Čištění a údržbu stroje nesmí provádět děti bez dozoru.

POPIS PŘÍSTROJE

POPIS PŘÍSTROJE (jak je znázorněno na obrázku 1)

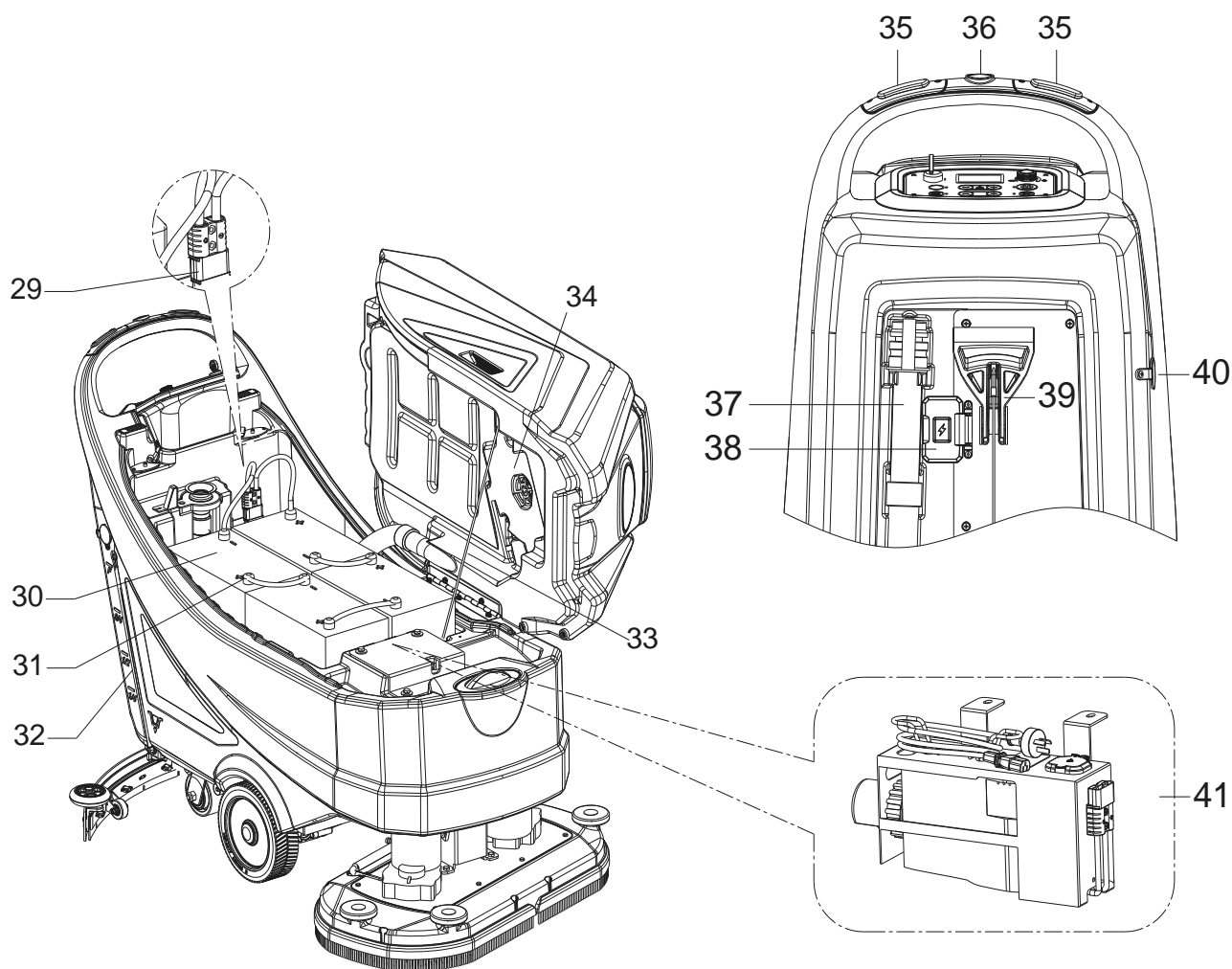
1. Víko nádrže na obnovu vody
2. Držák nápojů
3. Řídítka
4. Ovládací panel
5. Ovládací skříňka
6. Štítek se sériovým číslem/technickými údaji
7. Kryt vývodu
8. Knoflíky sací trysky
9. Sací trubice
10. Regulační kolečko pro vyrovnání sací trysky
11. Sací tryska
12. Filtr nádrže čisticího prostředku
13. Hnací kola
14. Nádrž s čisticím prostředkem
15. Pant
16. Nádrž na obnovu vody
17. Kryt filtru
18. Držák plnicí hadičky
19. Držák filtru
20. Těsnění krytu nádrže
21. Jednotka pro sběr nečistot
22. Plovákový filtr
23. Kohoutek pro čisticí prostředek / čistou vodu
24. Zadní kola pojezdu
25. Kartáčový systém (pouze u kotoučových strojů)
26. Ochrana proti stříkající vodě
27. Knoflík pro seřízení orbitální hlavičky
28. Orbitální systém (pouze u orbitálních strojů)



Obrázek 1

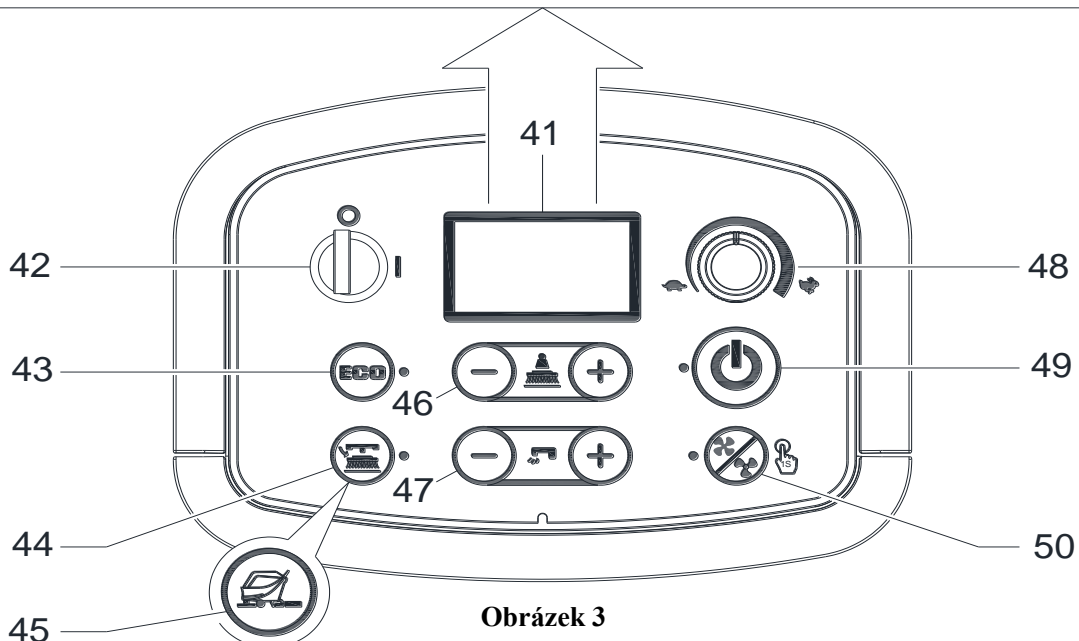
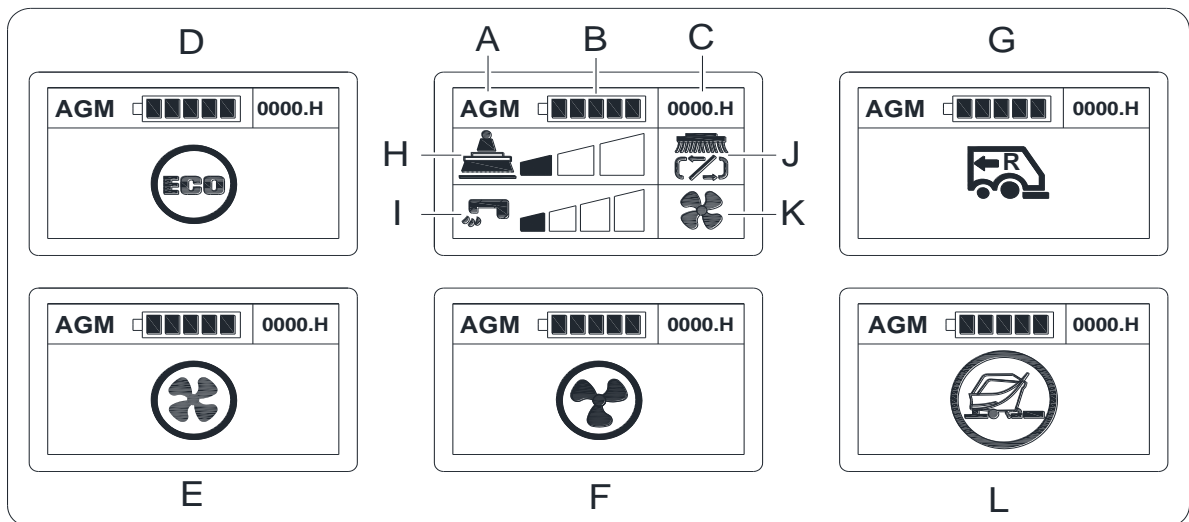
POPIS PŘÍSTROJE (jak je znázorněno na Obrázek 2)

- | | |
|------------------------------------|---|
| 29. Konektor baterie (červený) | 36. Spínač zpátečky |
| 30. Baterie (*) | 37. Vypouštěcí hadice nádrže na obnovu vody |
| 31. Krytky baterií | 38. Bezpečnostní kryt nabíjecího konektoru |
| 32. Trubice ukazatele hladiny vody | 39. Páka pro zvednutí / spuštění sací trysky |
| 33. Bezpečnostní kabel nádrže | 40. Postranní plnicí uzávěr nádrže s čistícím prostředkem |
| 34. Vakuový systém | 41. Palubní nabíječka (*) |
| 35. Bezpečnostní spínač | (*): Volitelné |

**Obrázek 2**

OVLÁDACÍ PANEL (jak je znázorněno na obrázku 3)

41. Multifunkční displej
Zobrazené položky:
- A) Typ baterie
 - B) Úroveň nabití baterie
 - C) Počet hodin provozu
 - D) Režim ECO
 - E) Normální režim sání
 - F) Tichý režim sání
 - G) Režim zpátečky
 - H) Aktivní zvýšený tlak
 - I) Množství průtoku roztoku čisticího prostředku
 - J) Režim práce kartáče
 - K) Režim sání
 - L) Režim přípravy podlahy
42. Klíček zapalování (0 - I)
43. Tlačítko režimu ECO
- LED dioda zapnuta - níže uvedená funkce aktivní
 - Průtok vody na minimum (úroveň 1)
 - Tlak na minimum (úroveň 1)
 - Vysavač v tichém režimu
44. Tlačítko uvolnění kartáče / držáku podložky (pouze u kotoučového stroje)
- Blikající LED diod - systému uvolnění aktivován
45. Tlačítko pro přípravu podlahy (pouze pro orbitální stroj)
- Rychlost jízdy přednastavena na 1 km / h
 - LED dioda zapnuta - níže uvedená funkce aktivní
 - Průtok vody na minimum (úroveň 1)
 - Tlak na maximum (úroveň 3)
 - Vysavač v normálním režimu
46. Tlačítko nastavení tlaku kartáče
47. Tlačítko nastavení průtoku čisticího prostředku
48. Regulátor rychlosti
49. Zapnutí pomocí jednoho tlačítka
- LED dioda zapnuta - níže uvedená funkce aktivní
 - Průtok vody na minimum (úroveň 1)
 - Tlak na minimum (úroveň 1)
 - Normální sací systém
50. Tlačítko nastavení sacího systému (aktivujete stiskem tlačítka na 1 sekundu)
- LED dioda svítí - normální režim
 - Blikající LED dioda - tichý režim



Obrázek 3

TECHNICKÉ PARAMETRY

Typ parametru	Jednotky	Model		
		AS6690T	AS7690T	AS7190TO
Kapacita nádrže s čisticím prostředkem	l / Gal	85 l / 22 Gal.		
Kapacita nádrže na obnovu vody	l / Gal	90 l / 24 Gal.		
Délka stroje	mm/palce	1490 mm / 59 palců	1550mm / 61 palců	1490 mm / 59 palců
Šířka přístroje se stěrkou	mm/palce	830 mm / 33 palců	950 mm / 38 palců	
Šířka přístroje bez stěrky	mm/palce	730 mm/29 palců	830mm/33 palců	750mm/30 palců
Výška přístroje	mm/palce	1020 mm/40,2 palců		
Pracovní šířka	mm/palce	660 mm/26 palců	760 mm/30 palců	710 mm/28 palců
Průměr hnacího kola	mm/palce	230 mm/9 palců		
Specifický tlak hnacího kola na podlahu	N/mm ²	0,67 N/mm ²		
Průměr zadního kola	mm/palce	101 mm/4 palců		
Specifický tlak zadního kola na podlahu	N/mm ²	0,82 N/mm ²		
Průměr kartáče/podložky	mm/palce	330 mm x 2 / 13 palců x 2	380mm x 2 / 15 palců x 2	355x710 mm / 14x28 palců
Přítlak kartáče/podložky (max.)	Kg/Lb	32 Kg / 71 Lb 41 Kg / 90 Lb 49 Kg / 108 Lb	35 Kg / 77 Lb 43 Kg / 95 Lb 51 Kg / 112 Lb	42 Kg / 93 Lb 54 Kg / 120 Lb 65 Kg / 143 Lb
Průtok čisticího prostředku (max.) na jedno nastavení	L / gal za minutu	(0,9 / 1,5 / 2,2 / 3) litru (0,24 / 0,39 / 0,58 / 0,79) galonu		(0,6 / 1,1 / 1,9 / 2,5) litru (0,16 / 0,29 / 0,5 / 0,66) galony
Hladina hlučnosti tlaku	dB (A)	69 ± 3 dB (A)		
Hladina hlučnosti tlaku v režimu ECO nebo v tichém režimu	dB (A)	65 ± 3 dB (A)		
Míra vibrací rukojeti (max.)	m/s ²	< 2,5 m/s ²		
Kapacita jízdy do svahu (max.)	% úroveň	2 %		
Mín. otočení v uličce	cm / palce	155cm/61 palců	165 cm/65 palců	160 cm/63 palců
Výkon motoru pojezdu	Watt / H.P.	250 W / 0,33 hp		350 W / 0,47 hp
Pracovní rychlost	Km / mil za hodinu	0 - 4,0 Km / 0 - 2,5 mil za hodinu		0 - 3, 2 Km / 0 - 2,0 mil za hodinu
Rychlost pohybu vpřed	Km / mil za hodinu	0 - 4,0 Km / 0 - 2,5 mil za hodinu		
Rychlost pohybu vzad	Km / mil za hodinu	0 - 2,0 Km / 0 - 1,25 mil za hodinu		
Výkon motoru sání	Watt / H.P.	500 W / 0,66 hp		
Kapacita sání	mm/in H ₂ O	1500 mm / 60 in H ₂ O		
Kapacita sání v režimu ECO nebo v tichém režimu	mm/in H ₂ O	900 mm / 35 in H ₂ O		
Příkon motoru kartáče	Watt / H.P.	500 x 2 Watt / 0,66 x 2 HP		750 Watt / 1,0 HP
Rychlost kartáče v normálním režimu	Otáčky za minutu	200 ot./min.		2200 ot./min.
Rychlost kartáče v režimu ECO	Otáčky za minutu	160 ot./min.		1600 ot./min.
Třída ochrany IP	IP	IP24		
Velikost prostoru pro baterie s externí nabíječkou (D x Š x H)	mm/palce	(620 x 385 x 390) mm / 24,4 x 15,1 x 15,3 palců		
Velikost prostoru pro baterie s palubní nabíječkou (D x Š x H) (*)	mm/palce	(535 x 385 x 390) mm / 21 x 15,1 x 15,3 palců		
Napětí	DC	24 V		
Baterie (*)	Ah	Neuvedeno		
Výdrž baterie (standardní baterie) (*)	Hodina	Až 4 hodiny		
Palubní nabíječka (*)	V/A	24 V 25A		
Produktivita (max.)	m ² /h	2640 m ² /h	3040 m ² /h	2272 m ² /h
Hmotnost přístroje s prázdnými nádržemi (bez baterií)	Kg/Lb	135 Kg / 298 Lb	138 Kg / 304 Lb	148 Kg / 326 Lb
Hrubá hmotnost přístroje	Kg/Lb	347 Kg / 765 Lb	350 Kg / 772 Lb	360 Kg / 794 Lb
Hmotnost při doručení	Kg/Lb	202 Kg / 444 Lb	205 Kg / 451 Lb	215 Kg / 473 Lb
Rozměry balení (D x Š x V)	mm/palce	(1620 x 810 x 1200 mm) / (64 x 32 x 48 palců)	(1660 x 910 x 1200 mm) / (66 x 36 x 48 palců)	

(*) : Volitelné

PROVOZNÍ PŘÍRUČKA

**VAROVÁNÍ!**

Na některých místech jsou na přístroji lepicí štítky označující:

- NEBEZPEČÍ!
- VAROVÁNÍ!
- UPOZORNĚNÍ!
- DOPORUČENÍ

Při čtení této příručky musí obsluha přístroje věnovat zvláštní pozornost symbolům na štítkách. Tyto štítky za žádných okolností nezakrývejte a v případě jejich poškození je ihned vyměňte.

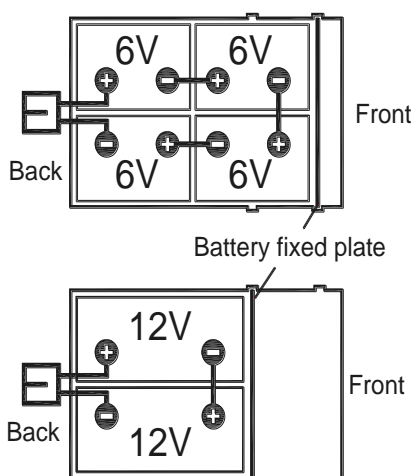
KONTROLA/NASTAVENÍ BATERIÍ NA NOVÉM PŘÍSTROJI

**VAROVÁNÍ!**

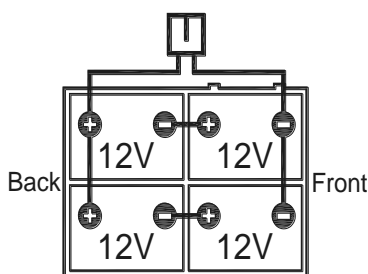
Elektrické součásti přístroje se mohou vážně poškodit, pokud jsou baterie buď nesprávně vložené, nebo připojené. Vložení baterií musí provádět pouze kvalifikované osoby. Nastavení funkce elektronické desky a vestavěné nabíječky baterií podle typu baterií (MOKRÉ či GELOVÉ/AGM). Před vložením baterií se ujistěte, že baterie nejsou poškozené. Odpojte konektor baterie a zástrčku nabíječky baterie. S bateriemi zacházejte opatrně. Nasadte ochranné kryty kontaktů baterie dodávané s přístrojem.

Baterie jsou již ve stroji nainstalovány

1. Ujistěte se, že konektor baterie (29, obrázek 2) je připojen.
2. Při prvním použití stroje s novými bateriemi proveďte úplný cyklus nabíjení (viz postup v kapitole „Údržba“).



Obrázek 4

**POZNÁMKA**

Přístroj vyžaduje 2 12V baterie nebo 4 6V baterie připojené podle schématu (Obrázek 4).

Vložte pevnou desku baterie správně jako (obr. 4).

Bez baterií

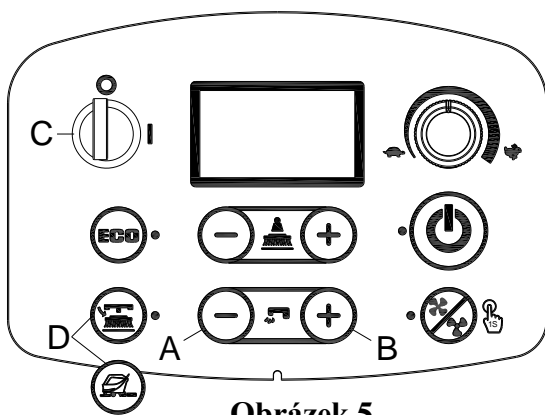
1. Kupte si vhodné baterie (viz odstavec „Technické údaje“). Pro výběr baterií a instalaci se obraťte na kvalifikované prodejce baterií.
2. Nastavte stroj podle typu nainstalovaných baterií, jak je uvedeno v části „Super uživatelský klíč“ v kapitole „Údržba“.

VLOŽENÍ BATERIÍ A NASTAVENÍ TYPU BATERIÍ (WET OR GEL/AGM OR DIS OR ENES)**Vložení baterií**

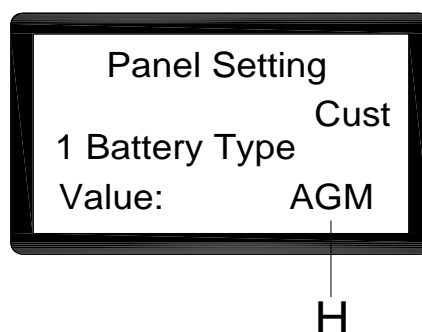
1. Otevřete kryt nádrže na obnovu vody (1, obrázek 1) a ujistěte se, že je nádrž (16) prázdná; v opačném případě ji pomocí vypouštěcí hadičky vyprázdněte. (37, obrázek 2)
2. Zavřete kryt nádrže na obnovu vody (1, obrázek 1).
3. Opatrně zvedněte nádrž na obnovu vody (16, obrázek 1).
4. Stroj je dodáván s kabely vhodnými pro instalaci dvou 12V baterií nebo čtyř 6V baterií. Pečlivě vložte baterie do prostoru pro baterie, poté je správně nainstalujte. Vložte pevnou desku baterie správně jako (obr. 4).
5. Nainstalujte kabel baterie podle (Obrázek 4), poté opatrně utáhněte matici na každém kontaktu baterie.
6. Nasad'te ochranný kryt na každý kontakt, poté připojte konektor baterie (29, obrázek 2).
7. Opatrně spus'te nádrž na obnovu vody (16, obrázek 1).

Nastavení typu baterie (WET OR GEL/AGM OR DIS OR ENES)**Přístup k výběru režimu baterie**

Podle typu baterií (MOKRÉ nebo GELOVÉ / AGM) nastavte stroj následujícím způsobem:



Obrázek 5

Access to select battery mode

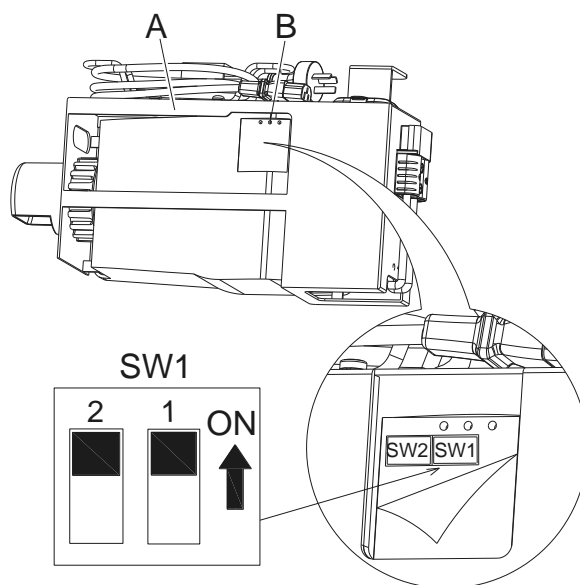
Obrázek 6

1. Stiskněte tlačítko průtoku vody „+“ (A, obrázek 5) a „-“ (B, obrázek 5) současně.
2. Zasuňte klíček zapalování (C, obrázek 5) a přepněte jej do polohy „I“.
3. O několik sekund později vstoupíte na obrazovku výběru režimu baterie (obrázek 6)
4. Stiskněte tlačítko průtoku vody „-“ (A, obrázek 5) a „+“ (B, obrázek 5) pro výběr režimu baterie (H, obrázek 6)
5. Stiskněte uvolňovací tlačítko pro verzi disku nebo tlačítko přípravy podlahy pro orbitální verzi (D, obrázek 5), O 3 sekundy později se zobrazí „Aktualizace OK“, což znamená, že nastavení bylo úspěšné. Zapnutím stroj restartujte (C, obrázek 5).

Nastavení nabíječky baterií (pouze pro palubní nabíječku, pokud je nainstalována)**VAROVÁNÍ!**

Nenastavujte nabíječku, pokud jste k tomu nebyli vyškoleni.

1. Vypněte stroj a odpojte palubní nabíječku (A, obrázek 7) ze stroje. Poté otevřete štítek na krytu nabíječky (B, obrázek 7). V nabíječce naleznete 2 sady přepínačů DIP (SW1 a SW2).
2. Pouze sada přepínačů DIP SW1 (ta na levé straně) má vliv na výběr nabíjecí křivky, viz tabulka níže.



Obrázek 7

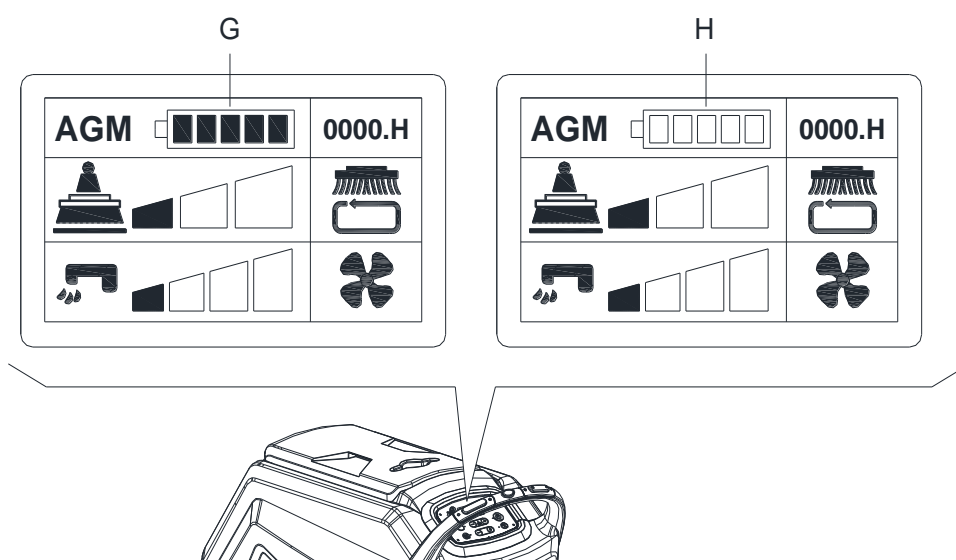
DP1	DP2	KŘIVKA NABÍJENÍ
ZAP	VYP	IUIa-ACD pro olověné baterie (mokrě)
VYP	VYP	IUIa-GEL pro gelové baterie Exide-Sonnenschein
VYP	ZAP	IUU0-GEL pro baterie HAZE Gel a AGM baterie od jiných výrobců
ZAP	ZAP	IUIUa-AGM pro baterie Discover AGM

Nabíjení baterií

Zcela nabijte baterie (viz postup v kapitole „Údržba“).

Vybití baterie

Když jsou baterie nabity do plna (G, obrázek 8), baterie umožní, aby stroj normálně fungoval. Když je úroveň nabití baterie nízká (H, obrázek 8), je nutné baterie dobít. Několik sekund poté, co se zobrazí stav nízké úrovně nabití baterie, se držák kartáče / podložky automaticky vypne a hnací systém zůstane zapnutý. Ihned přístroj přesuňte na místo určené pro dobíjení.



Obrázek 8



UPOZORNĚNÍ!

Když jsou baterie vybité, nabijte je co nejdříve, protože tento stav zkracuje jejich životnost. Zkontrolujte nabití baterie alespoň jednou za týden.

INSTALACE KARTÁČE / DRŽÁKU PODLOŽKY DEMONTÁŽ (pouze u kotoučového stroje)**POZNÁMKA**

Nainstalujte buď držák kartáče (A, Obrázek 9) nebo podložky (B a C, Obrázek 9) podle typu podlahy, která se má čistit.

**UPOZORNĚNÍ!**

Před instalací či demontáží kartáče či držáku podložky se ujistěte Odstranění, že všechny spínače na přístroje jsou vypnuté (v poloze "off") a sací tryska je zvednutá od podlahy. Obsluha musí být vybavena vhodnými ochrannými prostředky, jako jsou rukavice, za účelem snížení rizika poranění.

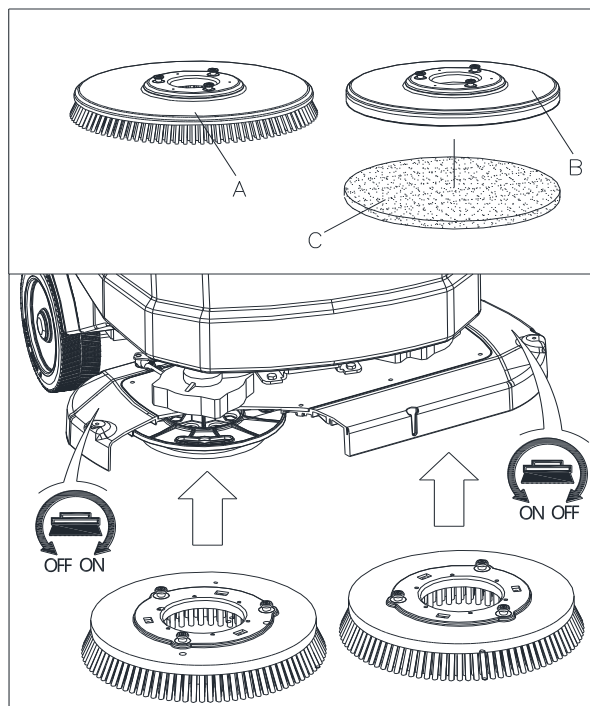
Postupujte následovně:

INSTALACE:

1. Vložte klíč zapalování (42, obrázek 3) a otočte jej do polohy „I“. Zvedněte jednotku. Vypněte stroj vyjmutím klíčku zapalování (42).
2. Otočte regulátorem rychlosti (48) proti směru hodinových ručiček a nastavte na volnoběh.
3. Umístěte držák kartáče (A, obrázek 9) nebo destičky (B) pod jednotku.
4. Ručně otočte držákem kartáče / podložky ve směru opačném, než je obvyklý směr otáčení, a nasadte jej. (jak je znázorněno na obrázku 9)

DEMONTÁŽ:

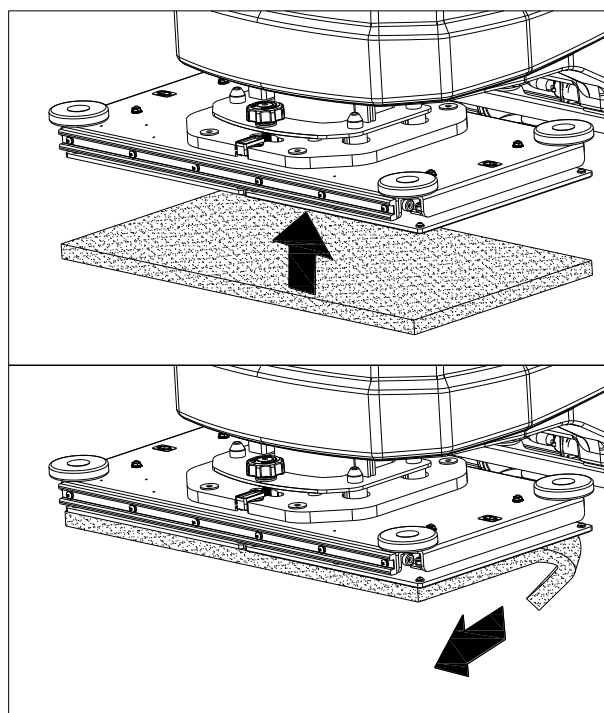
1. Vložte klíč zapalování (42, obrázek 3) a otočte jej do polohy „I“. Pro demontáž držáku kartáče/podložky zvedněte jednotku stisknutím tlačítka uvolnění držáku kartáče/podložky (44). Držák kartáče/podložky se automaticky uvolní.



Obrázek 9

INSTALACE A DEMONTÁŽ PODLOŽKY (pouze u orbitálního stroje)

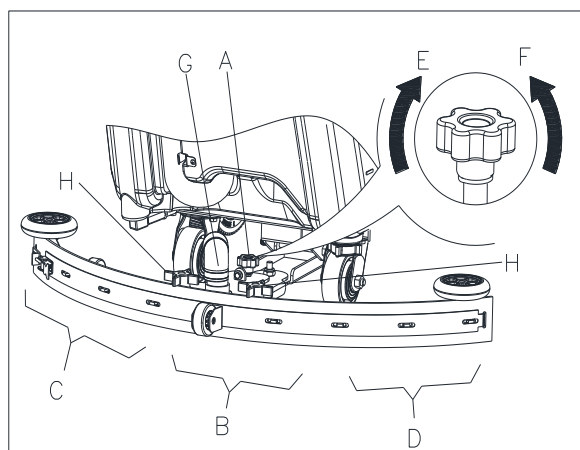
1. Vložte klíč zapalování (42, obrázek 3) a otočte jej do polohy „I“. Zvedněte jednotku. Vypněte stroj vyjmutím klíčku zapalování.
2. Ručně podložku nainstalujte nebo demontujte (obrázek 10)



Obrázek 10

NASTAVENÍ VYVÁŽENÍ SACÍ TRYSKY

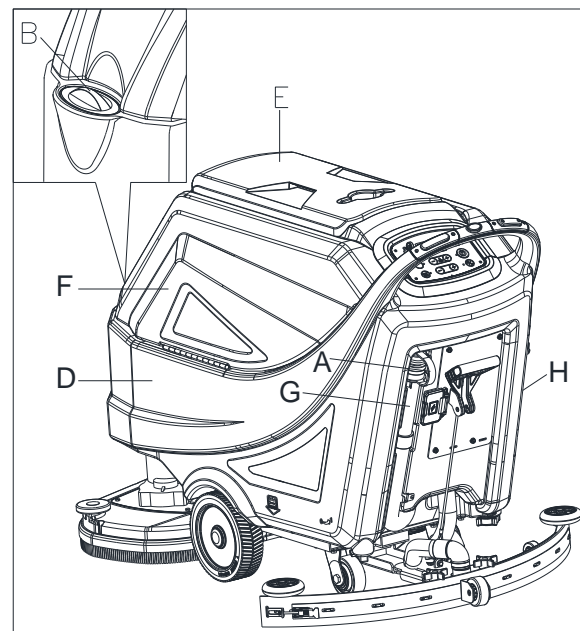
1. Namontujte sací trysku a utáhněte matice (H, obrázek 11), poté připojte sací hadici (G) se sací tryskou.
2. Upravte sací trysku pomocí regulačního kolečka sací trysky (A, Obrázek 11).
 - a) Je-li mezi střední částí zadního listu stěrky (B) a podlahou mezera, otočte regulační kolečko (A) proti směru hodinových ručiček (F), dokud se celá část zadní trysky nebude dotýkat podlahy a přední list se nebude jemně dotýkat podlahy.
 - b) Je-li mezi oběma konci zadního listu stěrky (C a D), otočte regulační kolečko (A) ve směru hodinových ručiček (E), dokud se nebudou všechny části zadní trysky dotýkat podlahy a přední list se nebude jemně dotýkat podlahy.

**Obrázek 11****PLNĚNÍ NÁDRŽE S ČISTICÍM PROSTŘEDKEM**

1. Otevřete kryt přívodu vody (B, obrázek 12).
2. Skrz otvor přívodu vody s filtrem naplňte vodou nebo příslušným čisticím přípravkem.
Teplota čisticího přípravku nesmí přesáhnout +104 F (+40°C).
3. Nádrž nepřepĺňujte, řiďte se indikátorem hladiny vody (H) pro objem vody.

**VAROVÁNÍ!**

Používejte pouze nízce pěnicí a nehořlavé čisticí prostředky určené pro automatické mycí stroje.

**Obrázek 12****SPUŠTĚNÍ A ZASTAVENÍ PŘÍSTROJE****Spuštění přístroje**

1. Připravte přístroj podle pokynů v předchozím odstavci.
2. Vložte klíč zapalování (A, obrázek 13) a otočte jím do polohy „I“. Na obrazovce displeje zkontrolujte stav baterií. Je-li to nutné, zcela nabijte baterie (viz postup v kapitole „Údržba“).
3. Přesuňte přístroj do pracovního prostoru:
 - Pro pohyb směrem vpřed stiskněte bezpečnostního spínač (F) vpřed nebo bezpečnostní spínač (F) společně se spínačem zpátečky (G) pro pohyb směrem vzad. Rychlost jízdy vpřed lze upravit pomocí regulátoru (H).
4. Spusťte sací trysku (I) pomocí páky pro zvednutí / spuštění sací trysky (J).
5. Spusťte jednotku držáku kartáče/podložky (K) stisknutím tlačítka spuštění (L).
6. Stiskněte spínače řízení toku čisticího prostředku (O) podle potřeby v závislosti na typu prováděného čištění.
7. Zahajte čištění:
 - Stisknutím jednoho z bezpečnostních spínačů (F) aktivujte pohon stroje. V případě nutnosti lze rychlost jízdy vpřed upravit regulátorem (H).

**POZNÁMKA**

Pro pojezd vpřed stiskněte buď levý nebo pravý bezpečnostní spínač (F, obrázek 13) nebo oba dva.

Zastavení přístroje

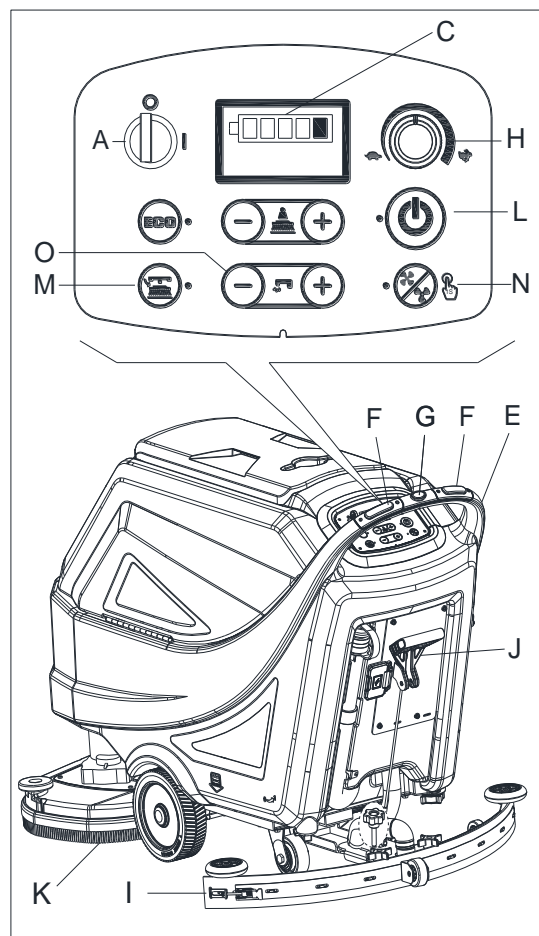
8. Stroj stavíte uvolněním bezpečnostních spínačů (F, obrázek 13)
9. Kartáče se zastaví. Sací systém se po pár sekundách zastaví.
10. Zvedněte jednotku držáku kartáče/podložky (K) stisknutím tlačítka spuštění (L).
11. Zvedněte sací trysku (I) pomocí páky pro zvednutí / spuštění sací trysky (J).
12. Otočte klíčkem zapalování (A) do polohy „0“.
13. Ujistěte se, že se přístroj nemůže samovolně pohybovat.

OBSLUHA PŘÍSTROJE (ČIŠTĚNÍ A VYSOUŠENÍ)

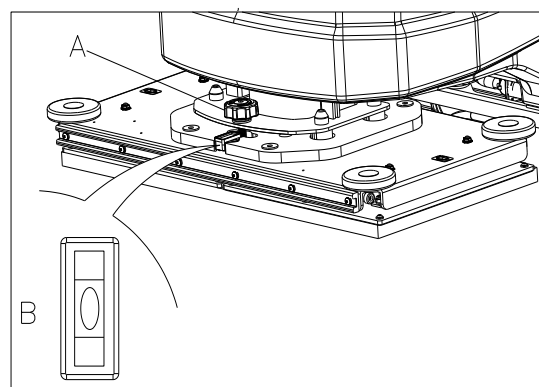
1. Spusťte přístroj tak, jak je popsáno v předchozích odstavcích.
2. Zatímco tisknete kterýkoli z bezpečnostních spínačů (35, obrázek 2), pohybujte strojem a začněte čistit/sušit podlahu.
3. Pokud je to nutné, zastavte přístroj a upravte sací trysku dle odstavce "Nastavení vyvážení sací trysky".

NASTAVENÍ ÚROVNĚ ORBITÁLNÍ JEDNOTKY (POUZE PRO ORBITÁLNÍ STROJE)

1. Vložte klíč zapalování (42) a otočte jej do polohy „I“.
Spusťte jednotku držáku kartáče/podložky (25) stisknutím tlačítka spuštění (49)
2. Nastavte úroveň orbitální jednotky nastavením rukojeti (A, obrázek 14) tak, aby byla bublina v jejím středu (B obrázek 14).



Obrázek 13



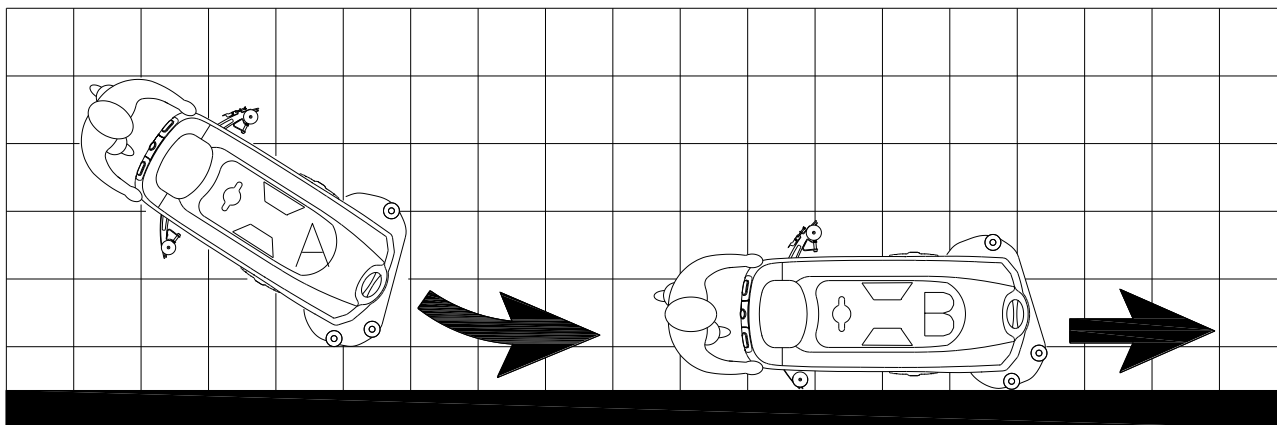
Obrázek 14

**POZNÁMKA**

Pro správné čištění/sušení podlahy podél zdi. Doporučuje se jet u zdi pravou stranou přístroje (A a B, Obr. 15), jak je znázorněno na obrázku.

**UPOZORNĚNÍ!**

Aby nedošlo k poškození povrchu podlahy, po zastavení přístroje na jednom místě vypněte držáky kartáče/podložky, zvláště když je zapnutá funkce přídavného tlaku.



Obrázek 15

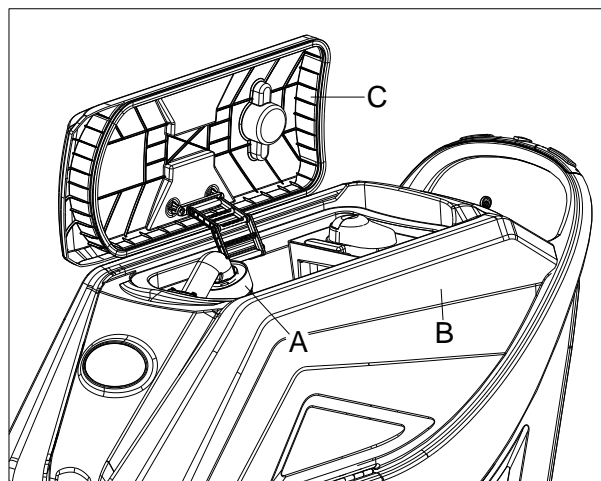
VYPRÁZDNĚNÍ NÁDRŽE

Systém automatického vypnutí plováku (A, obrázek 16) zablokuje sací systém, když je nádrž na obnovu vody (B) plná. Deaktivace sacího systému je signalizována náhlým zvýšením frekvence hlučnosti motoru sacího systému a tím, že podlaha není suchá.

**UPOZORNĚNÍ!**

Pokud se sací systém náhodou vypne (například když se aktivuje plovák v důsledku náhlého pohybu přístroj), činnost obnovíte následovně: vypněte sací systém stisknutím spínače (50, Obr. 3), poté otevřete kryt (C, Obr. 16) a zkontrolujte, zda plovák uvnitř mřížky (A) spadl na vodní hladinu. Poté zavřete kryt (C) a zapněte sací systém stisknutím spínače (50, Obr. 3).

Pokud je nádrž na obnovu vody (B, Obr. 16) plná, vyprázdněte ji podle následujícího postupu.



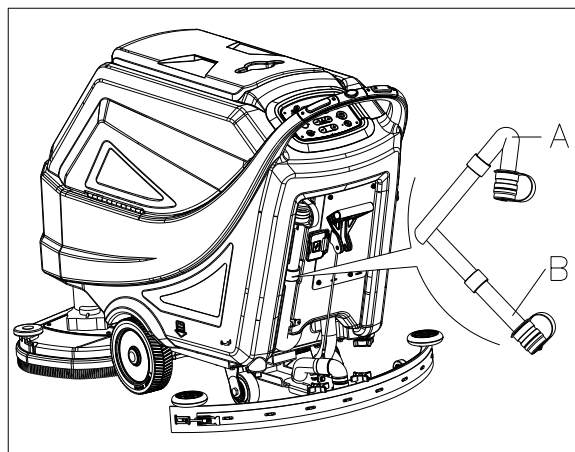
Obrázek 16

Vyprázdnění nádrže na obnovu vody

1. Zastavte přístroj.
2. Zvedněte jednotku držák kartáče / podložky (25, obrázek 1) stisknutím tlačítka spuštění (49, obrázek 3) nebo stroj restartujte pomocí klíčku zapalování (42, obrázek 3).
3. Zvedněte sací trysku (11, obrázek 1) pomocí páky (39, obrázek 2).
4. Přesuňte přístroj na určené místo pro vyprázdnění obsahu.
5. Pomocí hadičky nádrž na obnovu vody vyprázdněte (A, obrázek 17). Poté nádrž vypláchněte (B, obrázek 16) čistou vodou.

**UPOZORNĚNÍ!**

Při vypouštění odpadní vody musí být sací trubice na odpad složena (A, obrázek 17) a spuštěna do dolní polohy (B, obrázek 17). Poté otevřete víko sací trubice na odpad a vodu vypustíte. Výpust sací trubice na odpad nesmí při odtoku vody směřovat nahoru, vodu nelze vypustit vertikálně. Předejdete tak rozlití špinavé vody a zašpinění.

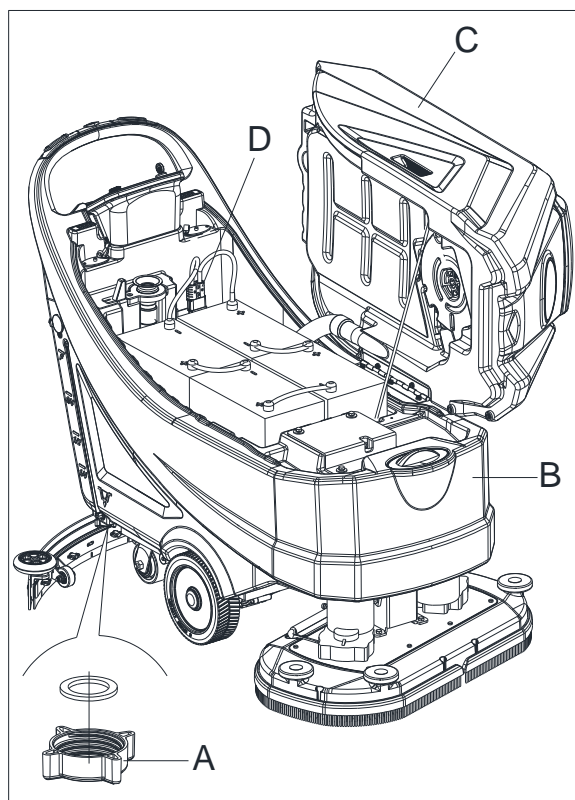
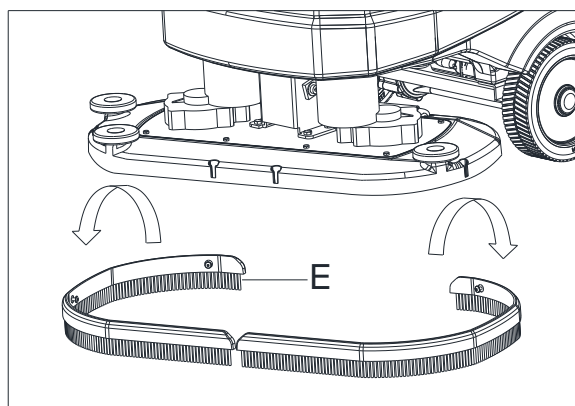
**Obrázek 17****Vyprázdnění nádrže čisticího prostředku/čisté vody**

1. Vyprázdněte nádrž s čisticím prostředkem přes vypouštěcí otvor (A, Obrázek 18). Po práci nádrž vypláchněte čistou vodou.

PO POUŽITÍ PŘÍSTROJE

Po práci a před opuštěním přístroje:

1. Odstraňte držáky kartáče/podložky stiskem tlačítka uvolnění (44, obrázek 3) a vyčistěte je (pouze u kotoučových strojů).
2. Odstraňte ochranu proti stříkající vodě jako (E, obrázek 19) a vyčistěte ji. (pouze u kotoučových strojů)
3. Vyjměte podložku a vyčistěte ji. (pouze u orbitálních strojů)
4. Vyprázdněte nádrže (B a C, Obrázek 18), jak je popsáno v předchozím odstavci.
5. Proved'te denní úkony údržby (viz kapitola Údržba).
6. Uložte přístroj na čisté a suché místo, s držákem kartáče/podložky a se zvednutou sací tryskou nebo ji odstraňte.

**Obrázek 18****Obrázek 19**

SKLADOVÁNÍ STROJE BĚHEM DELŠÍ NEČINNOSTI

Pokud přístroj nebudete používat po dobu delší než 30 dní, postupujte následovně.

1. Provedte postupy uvedené v odstavci Po použití přístroje.
2. Odpojte konektor baterie (29, Obrázek 2).

PRVNÍ OBDOBÍ POUŽÍVÁNÍ

Po prvních 8 hodinách zkontrolujte řádné utažení upevňovacích a spojovacích dílů a zkontrolujte opotřebení a možné poškození viditelných částí.

ÚDRŽBA**VAROVÁNÍ!**

Úkony údržby se musí provádět po vypnutí přístroje a odpojení kabelu nabíječky baterií. Dále si pečlivě přečtěte kapitoly týkající se bezpečnosti uvedené v tomto návodu.

Všechny postupy plánované nebo mimořádné údržby musí provádět kvalifikovaný personál či autorizované servisní středisko. Tento návod popisuje pouze obecné a běžné úkony údržby.

Pro ostatní úkony údržby neuvedené v následující tabulce plánované údržby si přečtěte servisní příručku, kterou lze konzultovat v jakémkoli servisním středisku naší společnosti.

TABULKA PLÁNOVANÉ ÚDRŽBY**UPOZORNĚNÍ!**

Úkon označený (1) musí být proveden po prvních 8 hodinách použití přístroje. Úkon označený (2) musí provést servisní středisko kvalifikované naší společností.

Úkon	Každý den, po každém použití	Každý týden	Každých 6 měsíců	Každý rok
Nabíjení baterií				
Čištění sací trysky				
Čištění držáku kartáče/podložky				
Čištění nádrže				
Kontrola těsnění nádrže				
Čištění filtru plováku				
Čištění podložky				
Čištění ochrany proti stříkající vodě (pouze u kotoučových strojů)				
Kontrola a výměna chlopní sací trysky				
Čištění vodního filtru				
Čištění sacího filtru				
Kontrola hladiny kapaliny MOKRÉ baterie				
Kontrola dotažení matic a šroubů			(1)	
Dolní izolace (pouze u orbitálních strojů)			(2)	
Kontrola či výměna uhlíkového kartáče motoru kartáče				(2)
Kontrola či výměna uhlíkového kartáče motoru sání				(2)
Kontrola či výměna uhlíkového kartáče motoru hnacího systému				(2)

EINFÜHRUNG



VORSICHT!

Einige allgemeine und detaillierte Maschinendaten sind in dieser Anleitung nicht enthalten. Bitte schlagen Sie in der SCHNELLSTARTANLEITUNG auf der enthaltenen CD-ROM nach, die per Adobe^(R) Reader^(R) gelesen werden kann.



HINWEIS

Die Ziffern in Klammern entsprechen den Komponenten im Kapitel Maschinenbeschreibung.

ZWECK UND INHALT DER ANLEITUNG

Der Zweck dieser Schnellstartanleitung besteht darin, dem Bediener alle grundlegenden Informationen für die angemessene Verwendung der Maschine sowie für die Informationen über die technischen Eigenschaften, den Betrieb, die Maschinenstillstandzeit, die Ersatzteile und die Sicherheitsbedingungen usw. zu liefern, siehe die SCHNELLSTARTANLEITUNG auf der mitgelieferten CD-ROM.

Vor Ausführung irgendeines Verfahrens müssen die Bediener und die qualifizierten Fachtechniker die Schnellstartanleitung durchlesen. Wenden Sie sich in Zweifelsfällen bezüglich der Interpretation der Anweisungen oder für weiterführende Informationen an unser Unternehmen.

AUFBEWAHRUNG DIESER SCHNELLSTARTANLEITUNG

Diese Schnellstartanleitung muss in Maschinennähe in einem geeigneten Fach und geschützt vor Flüssigkeiten und anderen Substanzen, die sie beschädigen könnten, aufbewahrt werden.

KONFORMITÄTSERKLÄRUNG

Die Konformitätserklärung wird mit der Maschine geliefert und zertifiziert, dass die Maschine den geltenden gesetzlichen Vorschriften entspricht.



HINWEIS

Die Kopien der ursprünglichen Konformitätserklärung werden zusammen mit den Maschinenunterlagen zur Verfügung gestellt.

ERSATZTEILE UND INSTANDHALTUNG

Alle notwendigen Betriebs-, Wartungs- und Reparaturmaßnahmen dürfen nur von qualifiziertem Personal oder dem Service-Center unseres Unternehmens durchgeführt werden. NUR genehmigte Ersatz- und Zubehörteile dürfen verwendet werden.

Kontaktieren Sie den Kundendienst unseres Unternehmens, wenn Sie eine Dienstleistung benötigen oder Zubehör- bzw. Ersatzteile erwerben möchten.

ÄNDERUNGEN UND VERBESSERUNGEN

Wir verpflichten uns der kontinuierliche Verbesserung unserer Produkte und behalten uns als Unternehmen das Recht vor, Änderungen und Verbesserungen an den Maschinen ohne Vorankündigung vorzunehmen.

ANWENDUNGSBEREICH

Die Scheuersaugmaschine ist für gewerbliche und industrielle Zwecke vorgesehen. Sie eignet sich für die Reinigung von glatten und festen Böden und muss von qualifiziertem Personal unter Beachtung aller Sicherheitsanweisungen betrieben werden. Sie eignet sich nicht für Reinigungsarbeiten in Außenbereichen oder Teppichen und rauen Böden.

MASCHINENIDENTIFIKATIONS DATEN

Seriennummer und Modellname der Maschine befinden sich auf der Serien-Kennzeichnung.

Diese Information ist nützlich. Verwenden Sie die folgende Tabelle, um die Maschinenidentifizierungsdaten zu notieren, wenn Ersatzteile für die Maschine erforderlich sind.

MASCHINENMODELL.....
MASCHINENSERIENNUMMER.....

TRANSPORT UND VERPACKUNG

Überprüfen Sie bei Lieferung, dass Verpackung und Gerät vollständig und unbeschädigt sind. Informieren Sie den Lieferanten vor der Warenannahme über die Schäden und behalten Sie sich das Recht eines Schadensersatzes vor.

Folgen Sie beim Auspacken der Maschine strikt Anweisungen auf der Verpackung.

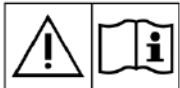
Überprüfen Sie die Verpackung, um sicherzustellen, dass folgende Artikel enthalten sind:

1. Technische Unterlagen Schnellstartanleitung
2. Teileliste (*).
3. Batterieanschluss.
4. Handbuch des elektronischen Akkuladegeräts (falls vorhanden) (*)

SICHERHEIT

Die folgenden Symbole zeigen gefährliche Situationen an. Lesen Sie diese Informationen immer sorgfältig durch und treffen Sie alle erforderlichen Vorkehrungen, um Personen und Eigentum zu schützen.

SICHTBARE MASCHINENSCHÄDEN



WARNUNG!

Lesen Sie alle Anweisungen sorgfältig durch, bevor die Maschine eingesetzt wird.



WARNUNG!

Die Maschine darf nicht direkt mit Wasser oder einem Wasserstrahl gereinigt werden.



WARNUNG!

Verwenden Sie die Maschine nicht an Hängen mit einer Steigung, die die Angaben in den Spezifikationen überschreitet.

SYMBOLE, DIE AUF DER SCHNELLSTARTANLEITUNG ERSCHEINEN



GEFAHR!

Es weist auf eine gefährliche Situation mit Sterberisiko für den Betreiber hin.



WARNUNG!

Es weist auf eine mögliche Verletzungsgefahr für Personen hin.



VORSICHT!

Es weist auf eine Vorsichtsmaßnahme oder eine Anmerkung bezüglich wichtiger oder nützlicher Funktionen hin.

Beachten Sie die mit diesem Symbol gekennzeichneten Absätze.



HINWEIS

Es weist auf einen Hinweis bezüglich wichtiger oder nützlicher Funktionen hin.



NACHSCHLAGEN

Es weist auf die Notwendigkeit hin, vor sämtlichen Maschineneinsätzen in der Schnellstartanleitung nachzuschlagen.

ALLGEMEINE SICHERHEITSHINWEISE

Spezifische Warnungen und Hinweise über mögliche Maschinen- und Personenschäden sind unten angegeben.

**GEFAHR!**

- Diese Maschine darf nur von ausgebildetem und autorisiertem Personal nach den Leitlinien des Handbuchs bedient werden.
- Vor der Durchführung von Reinigungs-, Wartungs-, Reparatur- oder Austauschmaßnahmen alle Anweisungen sorgfältig lesen und gewährleisten, dass die Maschine ausgeschaltet und der Akkustecker gezogen ist.
- Die Maschine nicht in der Nähe giftiger, gefährlicher, brennbarer und/oder explosiver Pulver, Flüssigkeiten oder Dämpfe betreiben. Diese Maschine ist nicht geeignet zum Sammeln gefährlicher Pulver.
- Tragen Sie beim Arbeiten in der Nähe von elektrischen Komponenten keine Schmuckstücke.
- unter dem angehobenen Maschine ohne diese durch die Sicherheitsständer abzustützen.
- (NASS) können bei normaler Verwendung entzündliches Gas emittieren. Funken, Flammen, rauchende Artikel sowie strahlenden, leuchtenden und brennende Gegenstände von den Akkus fernhalten.
- Bleibatterien (NASS) geladen, könnten sie explosives Wasserstoffgas emittieren. Die Ladeumgebung muss daher gut belüftet und frei von offenen Flammen sein.

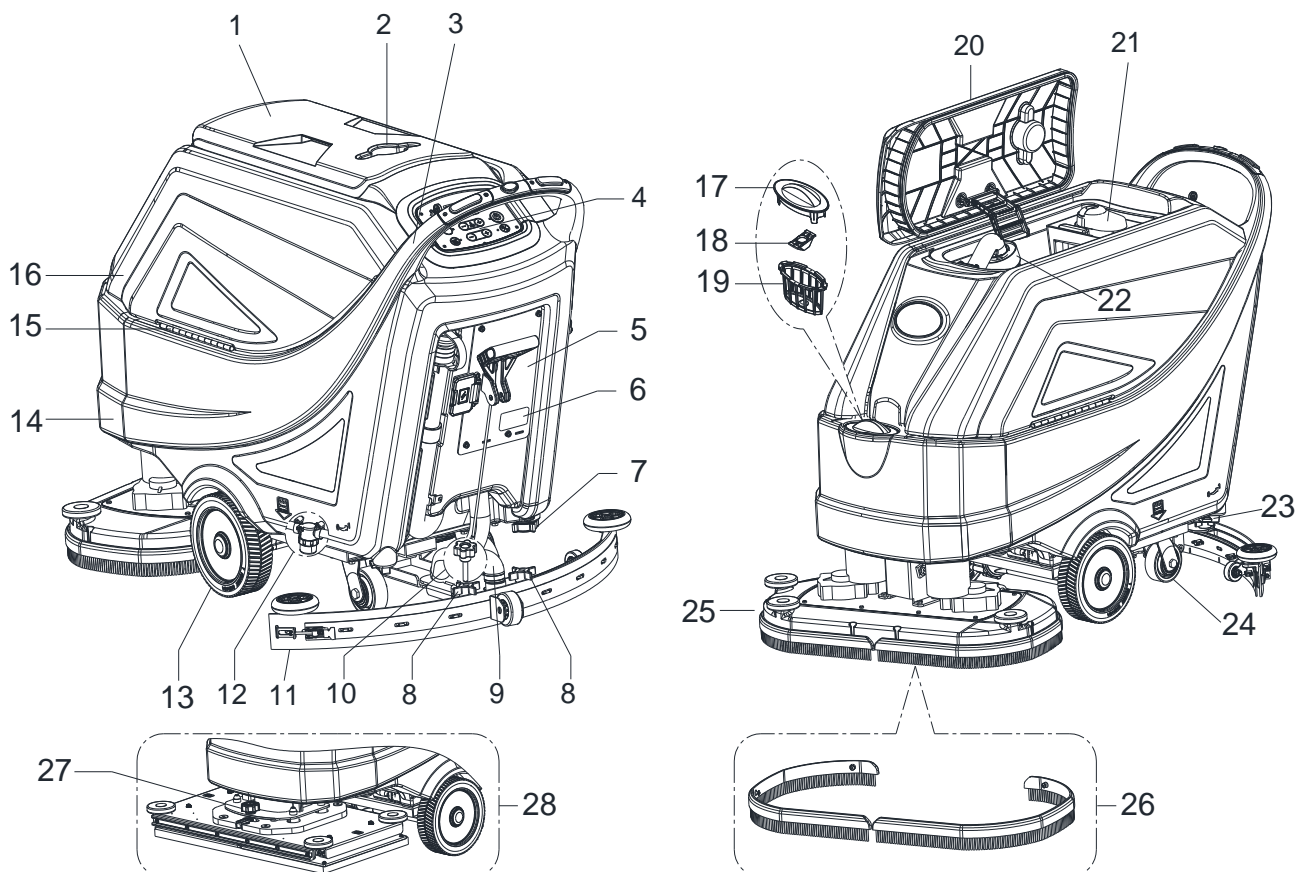
**WARNUNG!**

- Diese Maschine ist für die **GEWERBLICHE ZWECKE** bestimmt, z. B. in Hotels, Krankenhäusern, Fabriken, Geschäften, Büros und Vermietungsgeschäften bestimmt.
- Die Maschinen, die unbeaufsichtigt gelassen werden, sollen gegen die versehentliche Wiedereinschaltung geschützt werden.
- Um eine unerlaubte Verwendung der Maschine zu vermeiden, soll die Stromversorgung ausgeschaltet oder gesperrt werden, z. B. durch Entfernen des Schlüssels des Hauptschalters oder des Zündschlüssels.
- Die Maschine muss vor jedem Gebrauch sorgfältig untersucht werden. Vor Gebrauch sicherstellen, dass alle Komponenten ordnungsgemäß montiert wurden. Ansonsten besteht die Gefahr von Maschinen- und Personenschäden.
- Vor der Verwendung des Akku-Ladegeräts sicherstellen, dass die Frequenz und Spannungswerte auf dem Etikett der Seriennummer mit dem Netzstrom übereinstimmen.
- Das Gerät darf keinesfalls durch Ziehen am Akku-Ladekabel bewegt werden. Das Kabel darf nicht durch eine geschlossene Tür geführt oder um scharfe Kanten oder Ecken verlaufen. Fahren Sie mit der Maschine nicht über das Batterie-Ladekabel. Das Batterie-Ladekabel von heißen Oberflächen fernhalten.
Die Batterien nicht aufladen, wenn das Batterie-Ladekabel oder der Stecker beschädigt sind.
- Gebrauch zur Verringerung der Brand, Stromschlag und Verletzungsgefahr sicherstellen, dass die Maschine ausgeschaltet ist.
- Die Maschine muss in Innenbereichen und unter trockenen Verhältnissen verwendet und gelagert werden. Sie ist nicht für Außenbereiche konzipiert.
- Lager und Betriebstemperatur der Maschine liegt zwischen 0 °C und +40 °C. Die Luftfeuchtigkeit muss zwischen 30% - 95% liegen.
- Verwenden Sie die Maschine nicht an Hängen mit einer Steigung, die die Angaben in den Spezifikationen überschreitet.
- Die Verwendung und Handhabung von Bodenreinigungsmitteln und die Anweisungen auf den Etiketten der Flaschen beachten und geeigneter Schutzhandschuhe tragen und Schutzmaßnahmen einhalten.
- Verwenden Sie die im Lieferumfang enthaltene oder in der Betriebsanleitung angegebene Bürsten und Pads. Die Verwendung anderer Bürsten oder Pads könnte die Sicherheit reduzieren.
- Stellen Sie bei Fehlfunktionen der Maschine sicher, dass diese nicht auf einen Mangel an Wartung zurückzuführen sind. Fordern Sie falls erforderlich Unterstützung durch autorisiertes Personal oder von unserem autorisierten Service-Center an.
- Treffen Sie alle erforderlichen Vorsichtsmaßnahmen, damit sich Haare, Schmuck und lose Kleidung nicht in den beweglichen Teilen der Maschine verfängt.
- Verwenden Sie die Maschine nicht in besonders staubiger Umgebung.

- Die Maschine darf nicht direkt mit Wasser oder einem Wasserstrahl oder korrosiven Substanzen gereinigt werden.
- Nicht an Regale oder Gerüste stoßen, vor allem, wo ein Risiko von herabfallenden Gegenständen ausgeht.
- Nicht an die Maschine lehnen. Entsprechende Halterungen verwenden.
- Eine Beschädigung des Bodens zu vermeiden, Bürste/Pads nicht betreiben, während die Maschine stillsteht.
- Im Brandfall einen trockenen Pulver-Feuerlöscher verwenden. Verwenden Sie keine Flüssig-Feuerlöscher.
- Die Maschinenetiketten dürfen nicht entfernt oder modifiziert werden.
- Die Schutzeinrichtungen der Maschine dürfen nicht manipuliert werden. Die normalen Wartungsanweisungen müssen gewissenhaft befolgt werden.
- Achten Sie während des Maschinentransports auf Temperaturen unter dem Gefrierpunkt. Das Wasser im Schmutzwassertank und den Schläuchen könnte gefrieren und schwere Maschinenschäden verursachen.
- Wenn Ersatzteile ersetzt werden müssen, nur Original-Ersatzteile von einem autorisierten Händler oder Einzelhändler bestellen.
- Wenden Sie sich in das Service-Center, wenn die Maschine nicht wie gewohnt funktioniert, beschädigt ist, im Freien stand oder in Wasser gefallen ist.
- Um den ordnungsgemäßen und sicheren Maschinenbetrieb zu gewährleisten muss die im entsprechenden Kapitel dieses Handbuchs geplante Wartung von autorisiertem Personal oder einem autorisierten Service-Center durchgeführt werden.
- Die Maschine muss ordnungsgemäß entsorgt werden, da sie toxische Schadstoffe (Batterien usw.) enthält, die eine Entsorgung in speziellen Zentren erforderlich machen (siehe Kapitel Entsorgung).
- Die Maschine ist ein Reinigungswerkzeug, das nicht für andere Zwecke verwendet werden darf.
- Halten Sie die Öffnungen frei von Staub, Haaren und alle anderen Fremdkörper, damit der Luftdurchfluss nicht beeinträchtigt wird. Das Gerät bei verstopften Öffnungen nicht verwenden.
- Verwenden Sie die Maschine nur bei angemessener Beleuchtung.
- Diese Maschine ist nicht für die Verwendung durch Personen (einschließlich von Kindern) mit eingeschränkten physischen, gefühlsmäßigen oder geistigen Fähigkeiten oder einem Mangel an Erfahrung und Wissen geeignet und darf nicht von ihnen verwendet werden.
- Wenn ein Gerät von oder in der Nähe von Kindern verwendet wird, ist strenge Aufsicht erforderlich.
- Kinder sollten beaufsichtigt werden, um sicherzustellen, dass sie nicht mit dem Gerät spielen.
- Während des Maschinenbetriebs muss darauf geachtet werden, keine Personen zu verletzen und keine Gegenstände zu beschädigen.
- Die Reinigung und Benutzerwartung dürfen nicht von Kindern ohne Aufsicht durchgeführt werden.

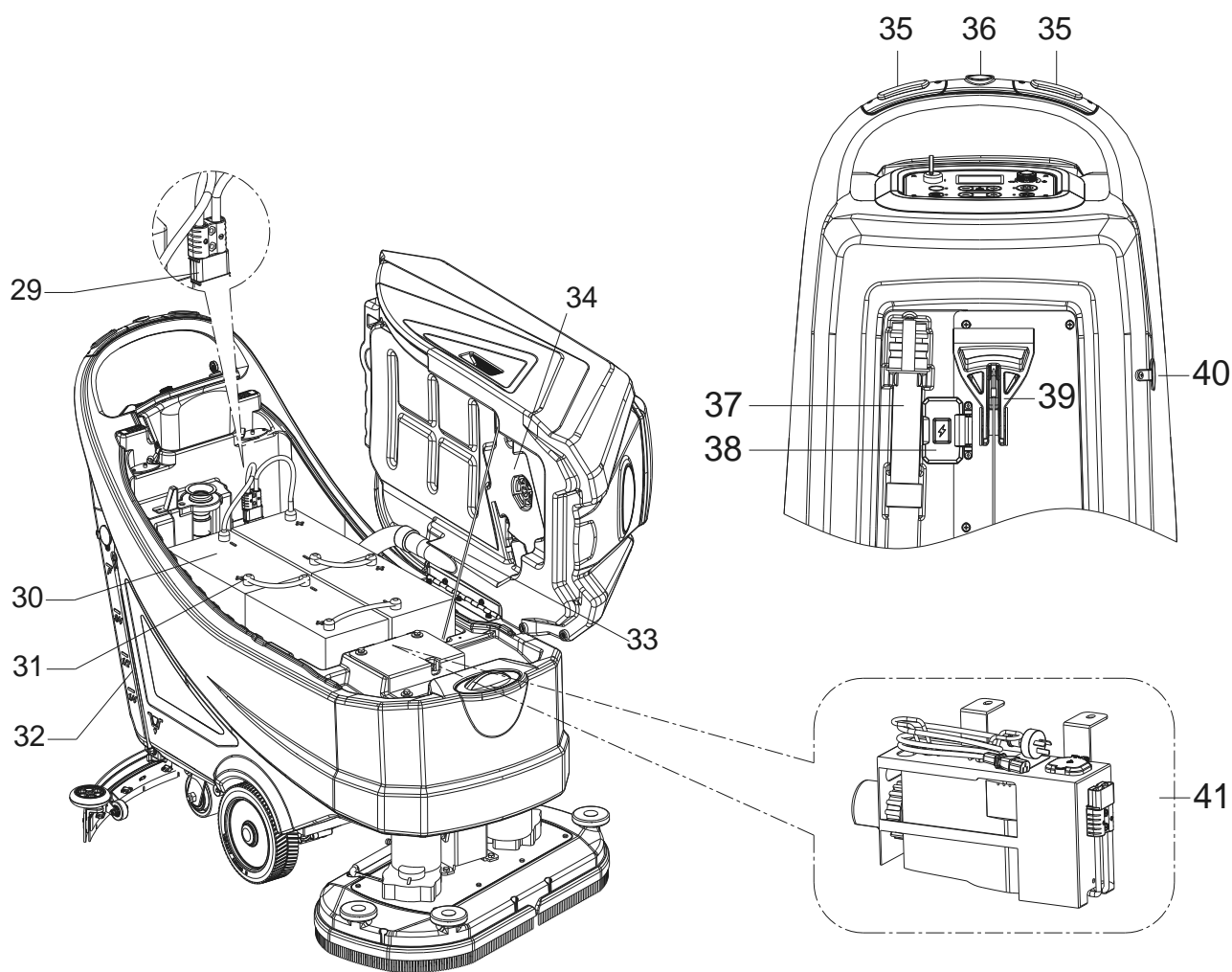
MASCHINENBESCHREIBUNG**MASCHINENSTRUKTUR (wie in Abbildung 1 dargestellt)**

- | | |
|---|--|
| 1. Schmutzwassertankdeckel | 15. Scharnier |
| 2. Kanisterhalter | 16. Schmutzwasserbehälter |
| 3. Griff | 17. Filterabdeckung |
| 4. Bedienfeld | 18. Füllschlauchhalter |
| 5. Steuer-kasten | 19. Filterhalterung |
| 6. Seriennummerschild/Technische Daten | 20. Tankdeckeldichtung |
| 7. Ausgangsabdeckung | 21. Grobschmutzkorb |
| 8. Befestigungsschrauben Saugleiste | 22. Filter Schwimmerkugel |
| 9. Saugschlauch Verbindung zur Saugleiste | 23. Lösung-/Frischwasserhahn |
| 10. Stellschraube Saugleiste | 24. Hintere Lenkräder |
| 11. Saugleiste | 25. Bürstensystem (nur für die Scheibenmaschine) |
| 12. Lösungsfilter | 26. Spritz |
| 13. Antriebsräder | 27. Orbital-Kopffegelknopf |
| 14. Lösungsmitteltank | 28. Orbitalsystem (nur für die Orbitalmaschine) |

**Abbildung 1**

MASCHINENSTRUKTUR (wie in Abbildung 2 dargestellt)

- | | |
|----------------------------------|--|
| 29. Akkustecker (rot) | 36. Maschinenrückwärtsschalter |
| 30. Akku (*) | 37. Wasserablaufschlauch |
| 31. Akkudeckel | 38. Sicherheitsabdeckung der Ladebuchse |
| 32. Rohr Wasserfüllstandsanzeige | 39. Hebe-/Senkgriff Saugleiste |
| 33. Sicherheitskabel Tank | 40. Seitlicher Einfülldeckel Lösungsmitteltank |
| 34. Vakuumsystem | 41. Bordladegerät (*) |
| 35. Sicherheitsschalter | (*): Optional |

**Abbildung 2**

BEDIENFELD (wie in Abbildung 3 dargestellt)

41. Multifunktionsdisplay
Angezeigte Positionen:
A) Akkutyp
B) Akkuladestand
C) Arbeitsstunden
D) ECO-Modus
E) Normaler Vakuummodus
F) Ruhe-Vakuummodus
G) Rückwärts
H) Extradruck aktiv
I) Durchflussmenge Reinigungsmittellösung
J) Bürstenarbeitsmodus
K) Vakuummodus
L) Boden
42. Zündschlüssel (0 - I)
43. ECO-Modustaste
• LED an- Unterfunktion aktiviert
Wasserdurchfluss am Mindeststand (Stand 1)
• Druck am Mindeststand (Stand 1)
• Das Vakuum im ruhe Modus.
44. Auslösetaste Bürsten/Padhalterung (nur für die Tellerbürstenvariante)
• LED blinkend-Auslösesystem aktiviert
45. Bodenaufbereitungstaste (nur für die Orbitalmaschine)
• Voreinstellung der Fahrgeschwindigkeit auf 1 km/h
• LED an- Unterfunktion aktiviert
• Wasserdurchfluss am Mindeststand (Stand 1)
• Druck am Höchststand (Stand 3)
• Das Vakuum im normalen Modus
46. Einstelltaste des Bürstendrucks
47. Lösungsmittelvolum Einstellung
48. Geschwindigkeitsregler
49. Taste zum Sofortstart aller Funktionen
• LED an- Unterfunktion aktiviert
• Wassersystem-Mindeststand (Stand 1)
• Druck am Mindeststand um (Stand 1)
• Vakuumsystem normal
50. Vakuumsystem-Einstelltaste (die Taste 1 Sekunde lang gedrückt halten, um zu aktivieren)
• LED an-Normalmodus
• LED blinkend-leiser Modus

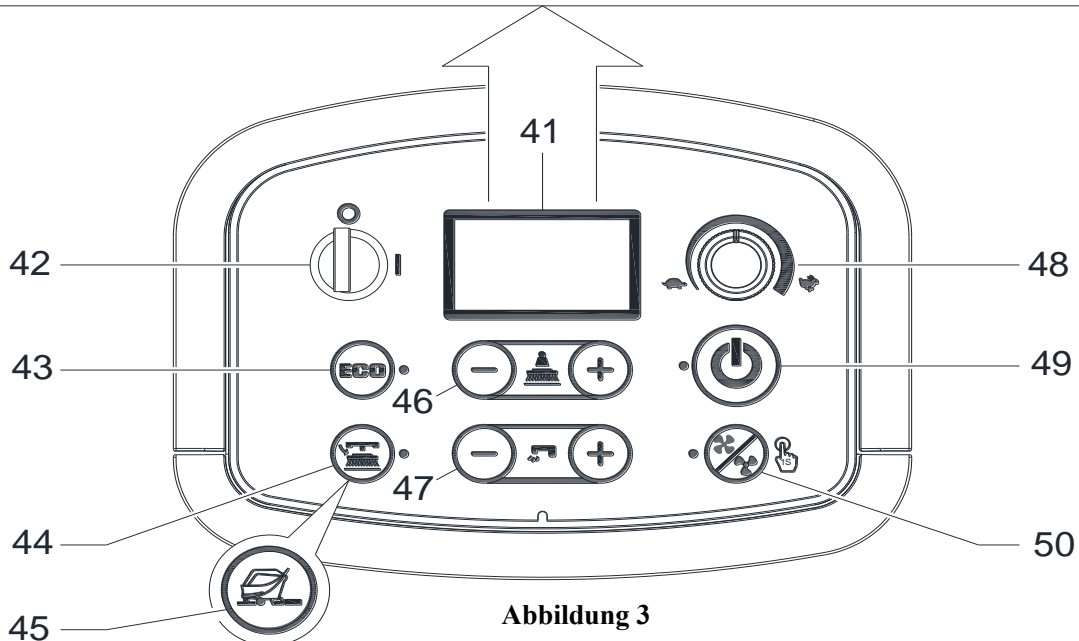
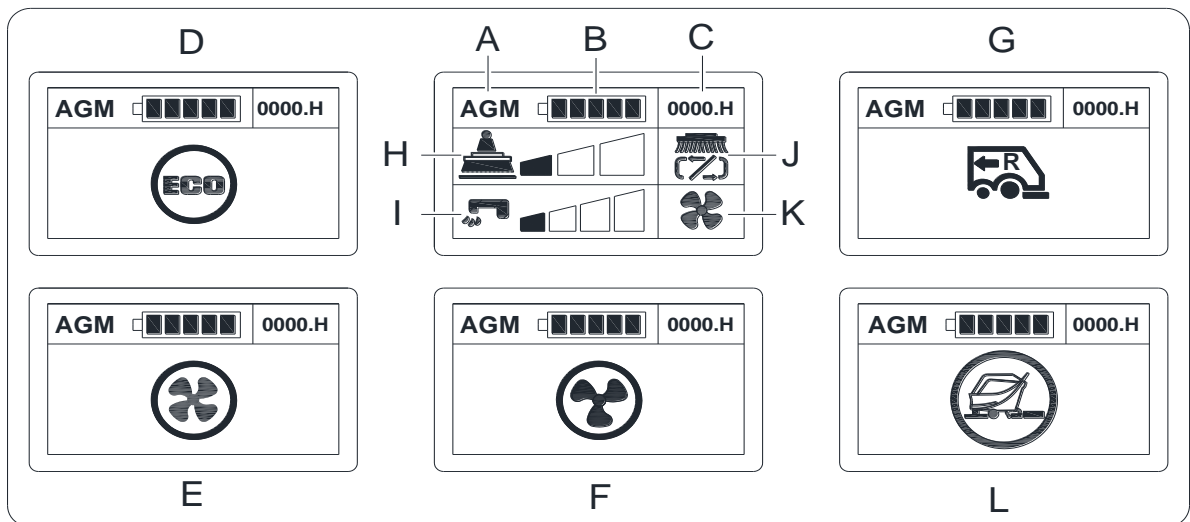


Abbildung 3

TECHNISCHE ANGABEN

Parametertyp	Einheiten	Modell		
		AS6690T	AS7690T	AS7190TO
Aufnahmevermögen Löse- mittel	L / Gal	85 L / 22 Gal.		
Aufnahmevermögen Rückgewin- nungswasser	L / Gal	90 L / 24 Gal.		
Maschinenlänge	mm/Zoll	1490 mm/ 59 Zoll	1550mm/ 61 Zoll	1490 mm/ 59 Zoll
Maschinenbreite mit Abziehgummi	mm/Zoll	830 mm / 33 Zoll	950 mm / 37,4 Zoll	
Maschinenbreite ohne Abziehgummi	mm/Zoll	730 mm/29 Zoll	830mm/33 Zoll	750mm/30 Zoll
Maschinenhöhe	mm/Zoll	1020 mm/40,2 Zoll		
Arbeitsbreite	mm/Zoll	660 mm/26 Zoll	760 mm/30 Zoll	710 mm/28 Zoll
Antriebsraddurchmesser	mm/Zoll	230 mm/9 Zoll		
Spezifischer Druck des Antriebsrads auf dem Boden	N/mm ²	0,67 N/mm ²		
Hinterraddurchmesser	mm/Zoll	101 mm/4 Zoll		
Spezifischer Druck des Hinterrads auf dem Boden	N/mm ²	0,82 N/mm ²		
Bürsten-/Pad-Durchmesser	mm/Zoll	330 mm x 2 / 13 Zoll x 2	380mm x 2 / 15 Zoll x 2	355x710 mm / 14x28 Zoll
Bürsten-/Pad-Druck (max)	Kg/Pfund	32 Kg/ 71 Pfund 41 Kg/90 Pfund 49 Kg/108 Pfund	35 Kg/ 77 Pfund 43 Kg/95 Pfund 51 Kg/112 Pfund	42 Kg/ 93 Pfund 54 Kg/ 120 Pfund 65 Kg/ 143 Pfund
Lösungsmitteldurchfluss (max) pro Einstellung	L / Gal pro Minute	(0,9/1,5/2,2/3) Liter (0,24/0,39/0,58/0,79) Gallonen		(0,6/1,1/1,9/2,5) Liter (0,16/0,29/0,5/0,66) Gallonen
Schalldruckpegel	dB (A)	69 ± 3 dB (A)		
Schalldruckpegel im ECO-Modus oder im ruhigen Modus	dB (A)	65 ± 3 dB (A)		
Vibration am Griff (max)	m/s ²	< 2,5 m/s ²		
Steigfähigkeit (Max)	% Grad	2 %		
Min.	cm/Zoll	155cm/61 Zoll	165 cm/65 Zoll	160 cm/63 Zoll
Motorantriebsleistung	Watt / PS	250 W/0,33 PS		350 W/0,47 PS
Arbeitsgeschwindigkeit	Km / Meilen pro Stunde	0 - 4.0 Km / 0 – 2.5 Meilen pro Stunde		0 – 3, 2 Km / 0 – 2,0 Meilen pro Stunde
Vorwärtsgeschwindigkeit	Km / Meilen pro Stunde	0 - 4,0 Km / 0 - 2,5 Meilen pro Stunde		
Rückwärtsgeschwindigkeit	Km / Meilen pro Stunde	0 - 2,0 Km / 0 - 1,25 miles pro Stunde		
Leistung Vakuummotor	Watt / PS	500 W / 0,66 PS		
Vakuum-Kapazität	mm/In von H ₂ O	1500 mm/ 60 In von H ₂ O		
Vakuum-Kapazität im ECO-Modus oder im ruhigen Modus	mm/In von H ₂ O	900 mm/ 35 In von H ₂ O		
Bürstenmotorleistung	Watt / PS	500 x 2 Watt / 0,66 x 2 PS		750 Watt / 1,0 PS
Bürstendrehzahl im Normalmodus	U/min	200 U/min		2200 U/min
Bürstendrehzahl im ECO-Modus	U/min	160 U/min		1600 U/min
IP-Schutzklasse	IP	IP24		
Größe Akkufach mit Außenladegerät (L x B x H)	mm/Zoll	(620 x 385 x 390) mm / 24,4 x 15,1 x 15,3 Zoll		
Größe Akkufach mit Einbauladegerät (L x B x H)(*)	mm/Zoll	(535 x 385 x 390) mm / 21 x 15,1 x 15,3 Zoll		
Spannung	DC	24 V		
Akku (*)	Ah	N/A		
Akkulaufzeit (Standardbatterien) (*)	Stunde	Bis zu 4 Stunden		
Bordladegerät (*)	Volt/A	24V 25A		
Produktivität (max)	m ² /h	2640 m ² /h	3040 m ² /h	2272 m ² /h
Maschinengewicht mit leeren Tanks (ohne Akkus)	Kg/Pfund	135 Kg/ 298 Pfund	138 Kg/ 304 Pfund	148 Kg/ 326 Pfund
Bruttogewicht Fahrzeug (zGG)	Kg/Pfund	347 Kg/ 765 Pfund	350 Kg/ 772 Pfund	360 Kg/ 794 Pfund
Frachtgewicht	Kg/Pfund	202 Kg/ 444 Pfund	205 Kg/ 451 Pfund	215 Kg/ 473 Pfund
Verpackungsabmessungen (L x W x H)	mm/Zoll	(1620 x 810 x 1200 mm) / (64 x 32 x 48 Zoll)	(1660 x 910 x 1200 mm) / (66 x 36 x 48 Zoll)	

(*) : Optional

BEDIENUNGSANLEITUNG

**WARNUNG!**

An einigen Stellen der Maschine befinden sich folgende Hinweisaufkleber:

- GEFAHR!
- WARNUNG!
- VORSICHT!
- NACHSCHLAGEN

Beim Lesen dieses Handbuches muss der Betreiber die auf den Hinweisaufklebern angezeigten Symbole besonders beachten. Bedecken Sie diese Hinweisaufkleber unter keinen Umständen und ersetzen Sie sie umgehend, falls beschädigt.

ÜBERPRÜFUNG/EINSTELLUNG DES AKKUS BEI EINER NEUEN MASCHINE

**WARNUNG!**

Die elektrischen Komponenten der Maschine können ernsthaft beschädigt werden, wenn die Akkus entweder nicht ordnungsgemäß installiert oder angeschlossen sind. Die Akkus dürfen nur von qualifiziertem Fachpersonal installiert werden. Stellen Sie die Funktion der elektronischen Platine und des eingebauten Ladegeräts gemäß des Typs des verwendeten Akkus (NASS oder GEL/AGM-Akku) ein. Überprüfen Sie die Akkus vor der Installation auf Schäden. Trennen Sie die Batterieverbinding und den Batterieladegerätstecker. Die Akkus mit großer Sorgfalt behandeln. Installieren Sie die mitgelieferten Schutzkappen des Batterieanschlusses mit der Maschine.

Bereits auf der Maschine installierte Akkus

1. Stellen Sie sicher, dass der Akkusteckverbinder (29, Abb. 2) angeschlossen ist.
2. Führen Sie bei der ersten Verwendung der Maschine mit neuen Akkus einen vollständigen Ladezyklus aus (siehe das Verfahren im Wartungskapitel).

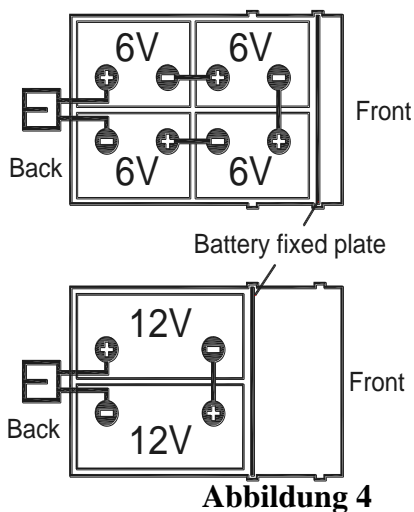
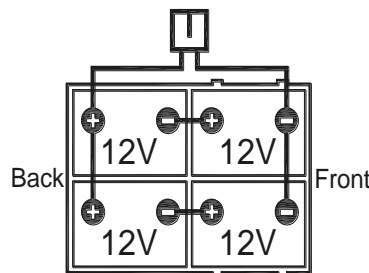


Abbildung 4

**HINWEIS**

Die Maschine benötigt zwei 12V- oder vier 6V-Akkus, verbunden gemäß schematischer Darstellung (Abb. 4). Legen Sie die Fixierplatte für Akkus (Abb. 4) ein.

**Ohne Akkus**

1. Kaufen Sie geeignete Akkus (siehe Absatz "Technische Daten"). Für die Wahl und Installation des Akkus, wenden Sie sich an qualifizierte Akku-Einzelhändler.
2. Stellen Sie die Maschine entsprechend dem Typ der installierten Akkus entsprechend der Darstellung im entsprechenden Abschnitt des nachfolgenden Wartungskapitels ein.

BATTERIEINSTALLATION UND EINSTELLUNG DES BATTERIETYP (WET OR GEL/AGM OR DIS OR ENES)

Akkus einsetzen

1. Öffnen Sie den Schmutzwassertankdeckel (1, Abb. 1) und vergewissern Sie sich, dass der Schmutzwassertank (16) leer ist, oder entleeren Sie ihn über den Ablaufschlauch. (37, Abb. 2)
2. Schließen Sie den Schmutzwassertankdeckel (1, Abb. 1).
3. Heben Sie den Schmutzwassertank (16, Abb. 1) behutsam.
4. Die Maschine wird über geeignete Kabel versorgt, um zwei 12V- oder vier 6V-Akkus zu installieren. Setzen Sie die Batterien vorsichtig und korrekt ausgerichtet in das Fach ein. Legen Sie die Fixierplatte für Akkus ein (Abb. 4).
5. Verlegen und installieren Sie das Akkukabel, wie in (Abbildung 4) gezeigt, und ziehen Sie dann vorsichtig die Mutter auf jeder Akkuklemme an.
6. Versehen Sie jede Klemme mit einer Schutzkappe und schließen Sie den Akkustecker an (29, Abb.. 2).
7. Senken Sie den Schmutzwassertank ab (16, Abb. 1).

Akkutypeinstellung (WET OR GEL/AGM OR DIS OR ENES)

Erhalten Sie Zugang, um den Akkumodus auszuwählen

Stellen Sie entsprechend dem Akkutyp (NASS oder GEL/AGM) die Maschine wie folgt ein:

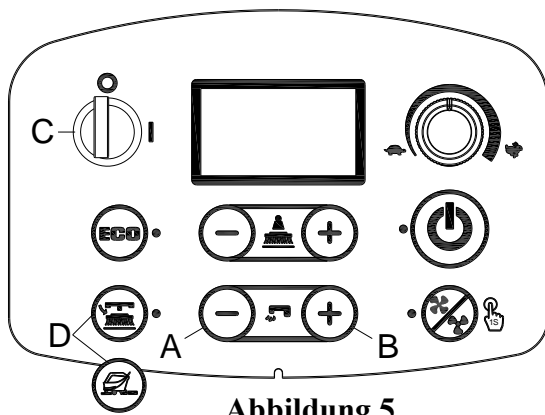


Abbildung 5

Access to select battery mode

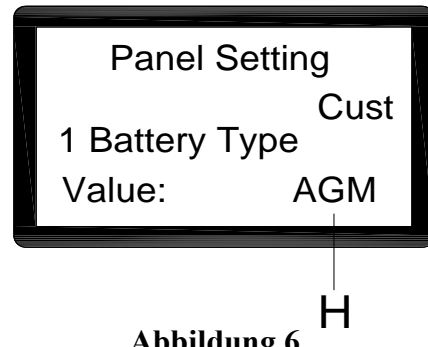


Abbildung 6

1. Drücken Sie die Wasserdurchflusstaste "+"(A, Abb. 5) und gleichzeitig "-" (B, Abb. 5).
2. Führen Sie den Zündschlüssel (C, Abb. 5) ein und drehen Sie ihn auf "I".
3. Gehen Sie einige Sekunden später zum Bildschirm des Akkuauswahlmodus (Abb. 6)
4. Drücken Sie die Wasserdurchflusstaste "-" (A, Abb. 5) und gleichzeitig "+" (B, Abb. 5), um den Akkuauswahlmodus (H, Abb. 6)
5. Drücken Sie die Entriegelungstaste für die Scheibenversion oder die Bodenvorbereitungstaste für die Orbitalversion (D, Abb. 5), Die Anzeige "Update OK" nach 3 Sekunden bedeutet, dass die Einstellung erfolgreich war, schalten Sie zum Start ein. (C, Abb. 5)

Akkuladeeinstellung (nur für Einbauladegerät, falls vorhanden)



WARNUNG!

Stellen Sie das Ladegerät nicht ein, bis Sie nicht eine professionelle Schulung erhalten haben

1. Schalten Sie die Maschine aus und bauen Sie das Maschinenladegerät (A, Abb. 7) von der Maschine aus. Hebeln Sie dann die Etikette auf der Ladegerätabdeckung (B, Abb. 7) aus, um 2 Sets von Dip-Schaltern (SW1 und SW2) im Ladegerät zu finden.
2. Nur das Set des DIP-Schalters SW1 (jenes auf der linken Seite) wirkt sich auf die Ladekurvenauswahl entsprechend der unteren Tabelle aus.

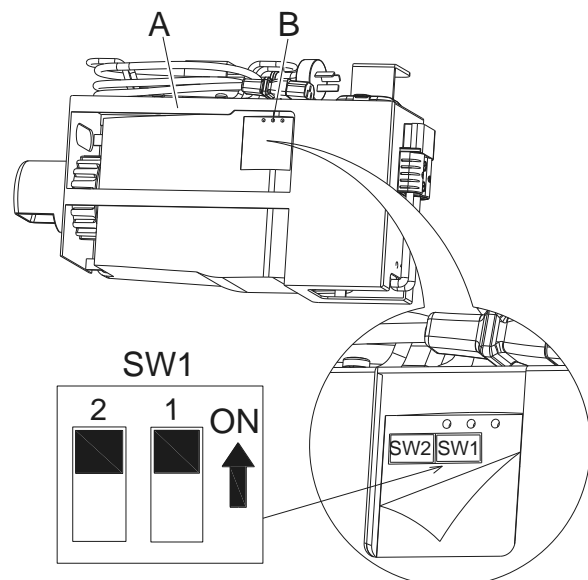


Abbildung 7

DP1	DP2	LADEKURVE
AN	AUS	IUIa-ACD für Bleisäure-(Nass)Akkus
AUS	AUS	IUIa-GEL für Gel-Akkus von Exide-Sonnenschein
AUS	AN	IUU0-GEL für HAZE-Gel- und AGM-Akkus von anderen Herstellern
AN	AN	IUIUa-AGM für Discover-AGM-Akkus

Batterieladung

Laden Sie die Akkus vollständig auf (siehe das Verfahren im Wartungskapitel).

Akkuentladung

Wenn die Akkuanzeige voll anzeigt (G, Abb. 8), ermöglichen die Akkus die normale Arbeit der Maschine. Wenn die Akkuanzeige niedrig ist (H, Abb. 8), müssen die Akkus aufgeladen werden. Einige Sekunden, nachdem die Akkuanzeige des niedrigen Akkus angezeigt wird, wird der Bürsten-/Pad-Halter automatisch ausgeschaltet, während das Antriebssystem eingeschaltet bleibt. Fahren Sie die Maschine sofort zu dem vorgesehenen Aufladebereich.

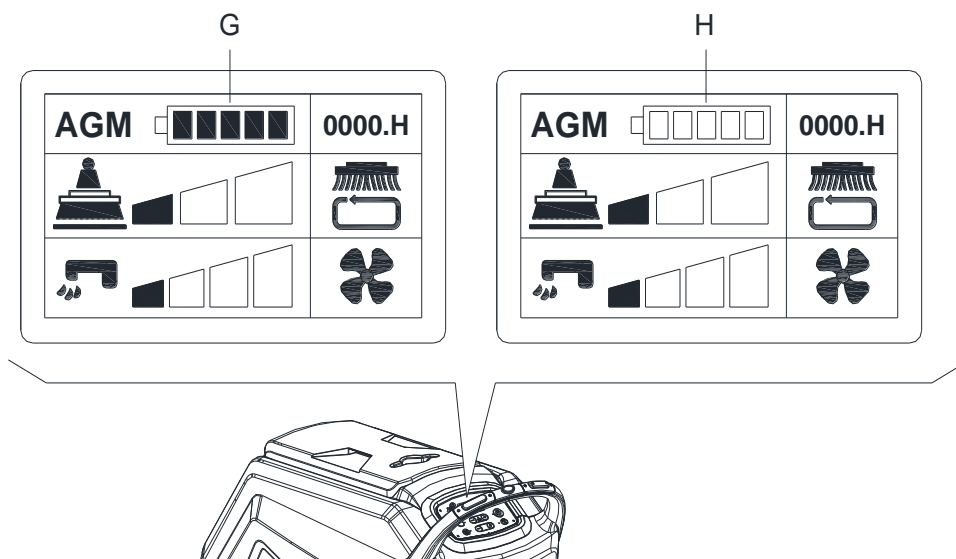


Abbildung 8



VORSICHT!

Wenn die Akkus entladen sind, laden Sie sie so schnell wie möglich auf, da dieser Zustand deren Lebensdauer verkürzt oder die Akkus beschädigen kann. Prüfen Sie auf die Akkuladung mindestens einmal wöchentlich.

BÜRSTEN-/PAD-HALTER-INSTALLATION UND AUSBAU (nur für die Scheibenmaschine)**HINWEIS**

Installieren Sie entweder die Bürste (A, Abb. 9) oder den Pad-Halter (B und C, Abb. 9) entsprechend der Art des zu reinigenden Bodens.

**VORSICHT!**

Vor dem Einbau oder Ausbau der Bürste oder des Pads vergewissern Sie sich-, dass alle Schalter an der Maschine in der „AUS“-Stellung sind und das Abziehgummi vom Boden abgehoben ist. Der Bediener muss durch geeignete Arbeiterschutzausrüstungen ausgestattet sein, wie Handschuhe, um das Risiko von Unfällen zu reduzieren.

Fahren Sie wie folgt fort:

INSTALLATION:

1. Stecken Sie den Zündschlüssel (42, Abb. 3) ein und schalten Sie ihn auf "I". Heben Sie den Deckel. Schalten Sie die Maschine aus, indem Sie den Gerät Zündschlüssel herausziehen (42).
2. Drehen Sie den Geschwindigkeitsregler (48) auf Leerlauf, indem Sie ihn gegen den Uhrzeigersinn drehen.
3. Stellen Sie die Bürsten (A, Abb. 9) oder den Padhalter (B) unter die Abdeckung.
4. Verwenden Sie die manuelle Methode durch Drehen des Bürsten-/Pad-Halters in die entgegengesetzte Richtung, damit er installiert werden kann. (wie in Abbildung 9 dargestellt)

AUSBAU:

1. Stecken Sie den Zündschlüssel (42, Abb. 3) ein und schalten Sie ihn auf "I". Um den Bürsten-/Pad-Halter auszubauen, heben Sie den Deckel durch Drücken der Bürsten-/Pad-Halter-Auslösetaste (44), wobei der Bürsten-/Pad-Halter automatisch ausgelöst wird.

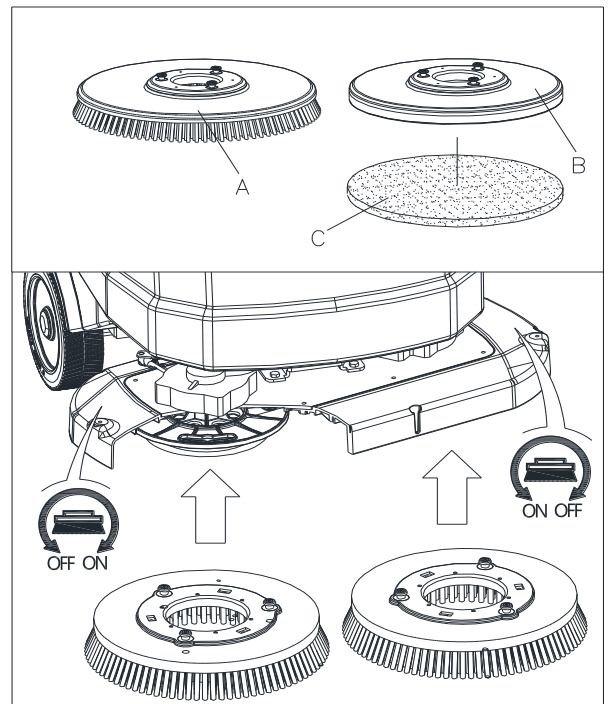


Abbildung 9

BÜRSTENPAD-HALTER-INSTALLATION UND AUSBAU (nur für die Orbitalmaschine)

1. Stecken Sie den Zündschlüssel (42, Abb. 3) ein und schalten Sie ihn auf "I". Heben Sie den Deckel. Schalten Sie die Maschine aus, indem Sie den Gerät Zündschlüssel herausziehen.
2. Verwenden Sie die manuelle Methode, um das Pad zu installieren oder auszubauen (Abb. 10)

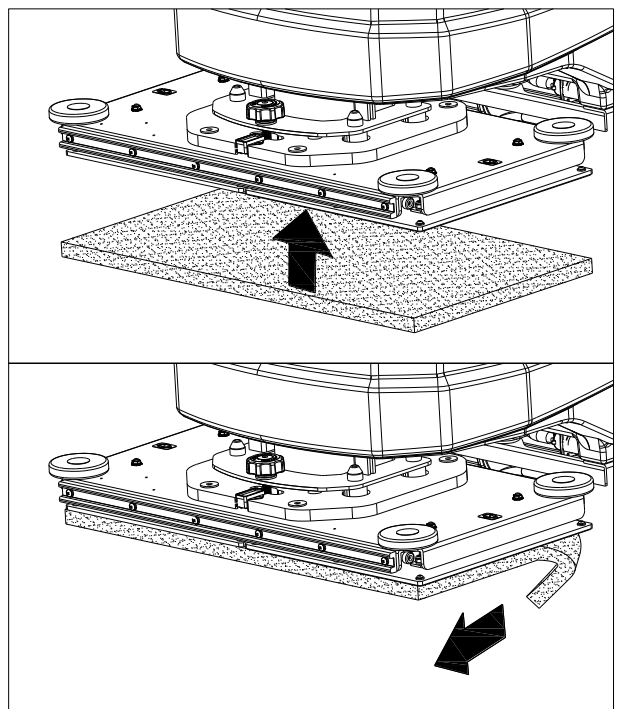


Abbildung 10

EINSTELLUNG DES ABZIEHGUMMIS

1. Installieren Sie das Abziehgummi und schrauben Sie die Mutter (H, Abb. 11) nach oben. Stecken Sie nun den Saugschlauch (G) an das Abziehgummi.
2. Stellen Sie das Abziehgummi über Einstellgriff ein (A, Abb. 11).
 - a) Bei einer Lücke zwischen dem Boden und dem Abziehgummi (B) wird der Knopf (A) gegen den Uhrzeigersinn in Richtung (F) gestellt, bis das gesamte Abziehgummi guten Bodenkontakt aufweist und das vordere Blatt den Boden leicht berührt, das hintere fest den Boden berührt.
 - b) Bei einer Lücke zwischen dem Boden und beiden Blattenden (C und D) wird der Knopf (A) im Uhrzeigersinn in Richtung (E) gestellt, bis beide Abziehgummi guten Bodenkontakt aufweisen und das vordere Blatt den Boden leicht berührt.

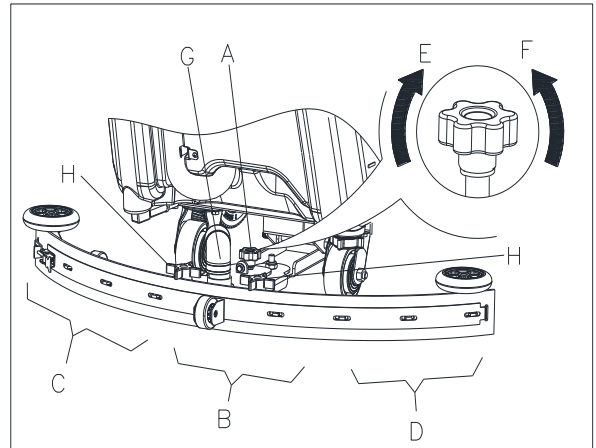


Abbildung 11

EINFÜLLEN DES LÖSUNGSMITTELTANKS

1. Öffnen Sie die Abdeckung (B, Abb. 12).
2. Füllen Sie Wasser oder eine geeignete Lösung durch den Wassereinlass mit Filter ein. Die Temperatur der Lösung darf nicht mehr als +40 °C (+ 104 °F) betragen.
3. Überfüllen Sie den Tank nicht, überprüfen Sie das Wasservolumen über die Wasserstandsanzeige (G).

**WARNUNG!**

Verwenden Sie nur schaumarme und nicht brennbare Reinigungsmittel, die für Reinigungsautomaten-Anwendungen bestimmt sind.

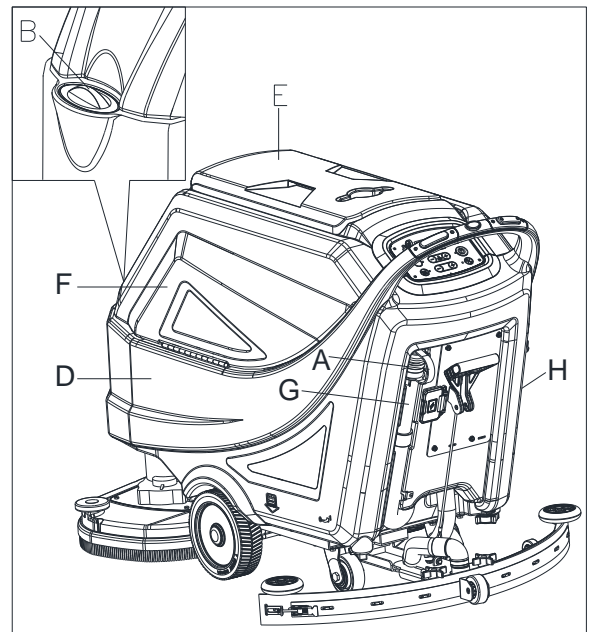


Abbildung 12

STARTEN UND STOPPEN DER MASCHINE**Starten der Maschine**

1. Bereiten Sie die Maschine vor, wie im vorherigen Absatz ausgeführt.
2. Stecken Sie den Zündschlüssel (A, Abb. 13) ein und schalten Sie ihn auf "I". Prüfen Sie den Status der Akkus des Displaybildschirmes. Laden Sie die Akkus ggf. vollständig auf (siehe das Verfahren im Wartungskapitel).
3. Fahren Sie die Maschine zum Arbeitsbereich:
 - Drücken Sie entweder den Sicherheitsschalter (F) zur Vorwärtsbewegung oder den Sicherheitsschalter (F) zusammen mit dem Rückwärtsschalter (G) zur Rückwärtsbewegung. Die Fahrgeschwindigkeit kann mit dem Regler (H) eingestellt werden.
4. Senken Sie die Saugleiste (I) mit dem Hebe-/Senkgriff (J).
5. Senken Sie das Deck des Bürsten-/Pad-Halters (K) an, durch Drücken des Ein-Tastenstart (L)
6. Sie die Lösemitteldurchflusssteuertasten (O) wie erforderlich, abhängig von der Art der durchzuführenden Reinigung.
7. Beginnen mit der Reinigung:
 - Drücken Sie einen Sicherheitsschalter (F), um die Maschinenfahrt zu aktivieren. Die Vorwärtsgeschwindigkeit kann mit dem Regler (H) eingestellt werden, falls erforderlich.

**HINWEIS**

Um die Maschine vorwärts zu bewegen, drücken Sie entweder die linke oder rechte Taste (F, Abbildung 13) oder beide.

Anhalten der Maschine

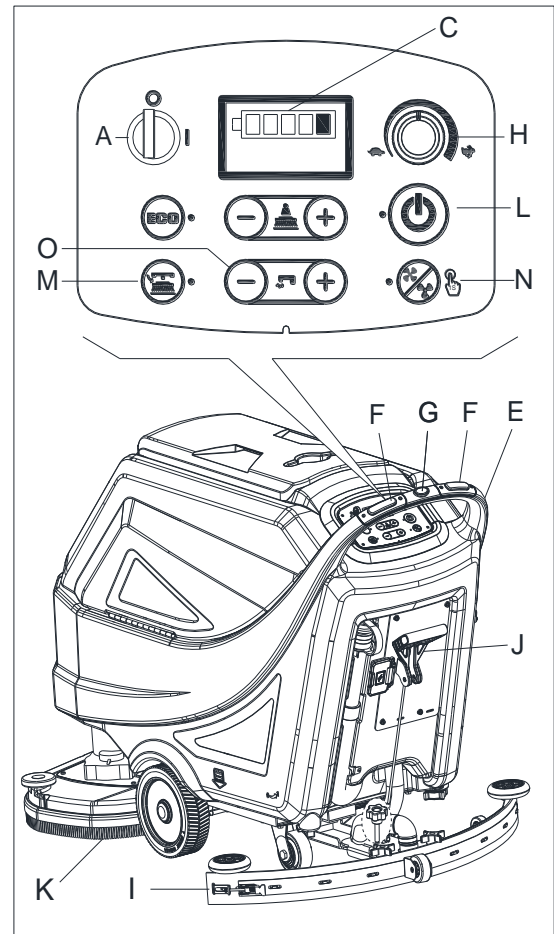
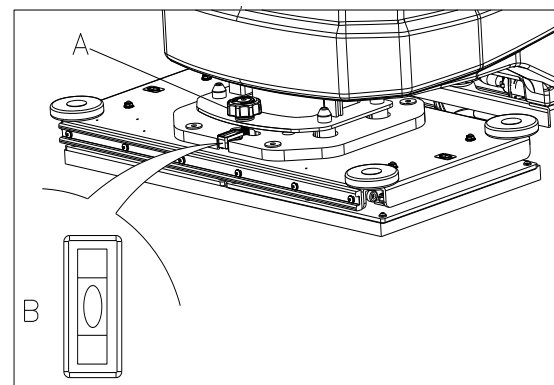
8. Halten Sie die Maschine durch Loslassen der Sicherheitsschalter an (F, Abb. 13)
9. Die Bürsten werden angehalten. Das Vakuumsystem stoppt nach wenigen Sekunden.
10. Heben Sie das Deck des Bürsten-/Pad-Halters (K) an, durch Drücken des Ein-Tastenstart (L).
11. Heben Sie die Saugleiste (I) mit dem Hebe-/Senkgriff Abziehgummigriff (J).
12. Drehen Sie den Zündschlüssel (A) auf "0".
13. Stellen Sie sicher, dass die Maschine sich nicht eigenständig bewegen kann.

MASCHINENBETRIEB (SCHEUERN UND TROCKNEN)

1. Starten Sie die Maschine wie in den vorangegangenen Absätzen gezeigt.
2. Während Sie irgendein Sicherheitsschalter betätigen (35, Abb. 2), manövrieren Sie die Maschine und starten Sie das Schrubben/Trocknen des Bodens.
3. Falls erforderlich die Maschine stoppen und das Abziehgummi nach Abschnitt "Abziehgummi nivellieren" anpassen".

EINSTELLUNG DER STUFE DES ORBITALDECKELS (NUR FÜR DIE ORBITALMASCHINE)

1. Stecken Sie den Zündschlüssel (42) ein und schalten Sie ihn auf "I". Senken Sie das Deck des Bürsten-/Pad-Halters (25) an, durch Drücken des Ein-Tastenstart (49)
2. Stellen Sie die Stufe des Orbitaldeckels durch den Einstellgriff (A, Abb. 14) ein, damit sich die Blase in der Mitte befindet (B Abb. 14).

**Abbildung 13****Abbildung 14**

**HINWEIS**

Für das korrekte Schrubben/Trocknen der Böden auf den Seiten der Wände. Es wird empfohlen, nahe an den Wänden mit der rechten Seite der Maschine (A und B, Abb. 15) entlang zu fahren, wie in der Abb. dargestellt.

**VORSICHT!**

Um Schäden an der Bodenfläche zu vermeiden, schalten Sie den Bürsten-/Pad-Halter aus, wenn die Maschine an einem Ort anhält, besonders dann, wenn die zusätzliche Druckfunktion eingeschaltet ist.

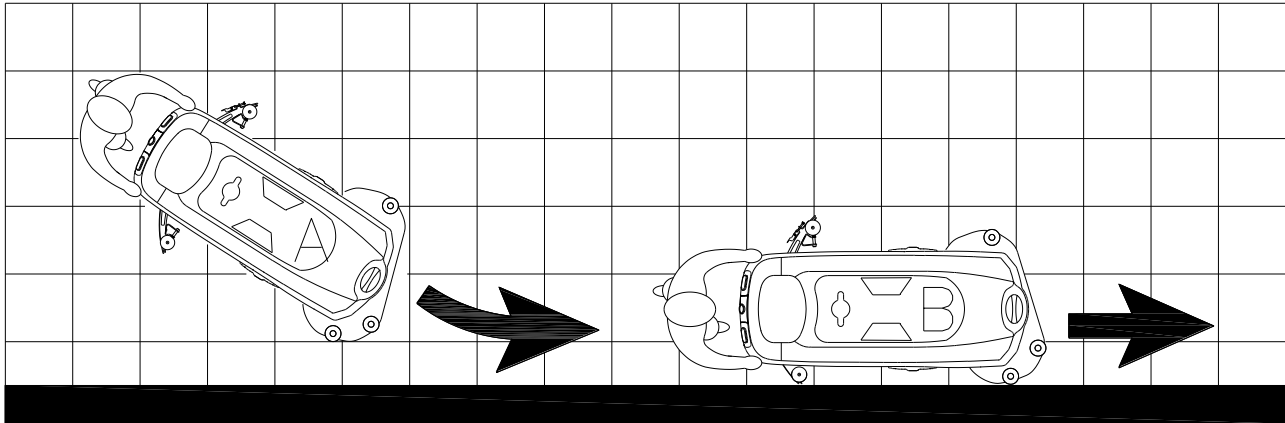


Abbildung 15

TANKENTLEERUNG

Eine automatische Schwimmerabschaltung (B, Abbildung 16) blockiert das Vakuumsystem, wenn der Schmutzwassertank (C) voll ist. Die Deaktivierung des Vakuumsystems wird durch einen plötzlichen Anstieg der Geräuschfrequenz des Vakuumsystemmotors signalisiert, selbst wenn der Boden noch nicht getrocknet wurde.

**VORSICHT!**

Wenn das Vakuumsystem versehentlich abgeschaltet wird (z.B., wenn der Schwimmer wegen einer plötzlichen Bewegung der Maschine aktiviert wird), gehen Sie zur Wiederaufnahme des Betriebs wie folgt vor: Schalten Sie das Vakuumsystem durch Drücken des Schalters (50, Abbildung 3) aus, öffnen Sie dann die Abdeckung (A, Abbildung 16) und prüfen Sie, ob der Schwimmer im Inneren des Gitters (B) sich auf Wasserhöhe befindet. Dann schließen Sie die Abdeckung (C) und schalten Sie das Vakuumsystem durch Drücken des Schalters (50, Abb. 3).

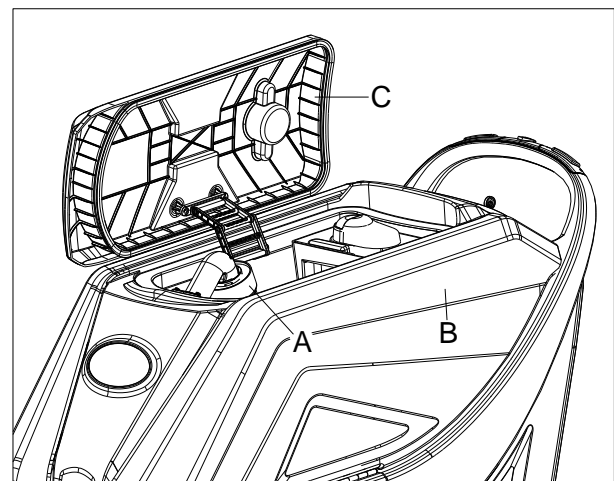


Abbildung 16

Wenn der Schmutzwassertank (B, Abbildung 16) voll ist, entleeren Sie diesen nach dem folgenden Verfahren.

Entleeren des Schmutzwassertanks

1. Stoppen Sie die Maschine.
2. Heben Sie den Bürsten-/Pad-Halterdeckel (25, Abb. 1) durch Drücken des Ein-Tastenstarts (49, Abb. 3) oder starten Sie die Maschine erneut durch den Zündschlüssel (42, Abb. 3).
3. Heben Sie das Abziehgummi (11, Abbildung 1) mit dem Hebe-/Senkgriff Abziehgummi (39, Abb. 2).
4. Fahren Sie die Maschine zu dem vorgesehenen Entsorgungsbereich.
5. Entleeren Sie den Schmutzwassertank mit dem Schlauch (A, Abbildung 17). Spülen Sie dann den Tank (B, Abb. 16) mit sauberem Wasser aus.



VORSICHT!

Wenn Sie das Schmutzwasser entleeren muss die Vakuumröhre für den Abfall zusammengeklappt werden (A, Abb. 17) und in eine niedrigere Position (B, Abb. 17) abgesenkt werden. Öffnen Sie dann den Deckel der Vakuumröhre für den Abfall, um das Wasser abzulassen. Richten Sie den Abfluss des Vakuumrohrs nicht nach oben, um das Wasser vertikal abtropfen zu lassen. Dies verhindert, dass Schmutzwasser auf den Maschinenbediener geschüttet wird.

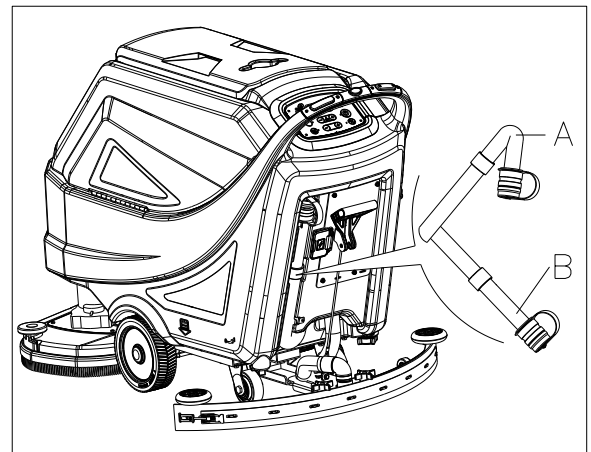


Abbildung 17

Lösungsmittel/Frischwassertank entleeren

1. Leeren Sie den Lösungsmitteltank durch die Ablassabdeckung (A, Abb. 18). Nach der Beendigung spülen Sie den Behälter gründlich mit klarem Wasser aus.

NACH DER MASCHINENBENUTZUNG

Nach Beendigung, vor dem Verlassen der Maschine:

1. Entfernen Sie die Bürsten-/Pad-Halter durch Drücken der Loslösetaste (44, Abb. 3) und reinigen Sie sie (nur für die Scheibenmaschine).
2. Entfernen Sie das Spritzblech (E, Abb. 19) und reinigen Sie es. (nur für die Scheibenmaschine)
3. Entfernen Sie das Pad und reinigen Sie es. (nur für die Orbitalmaschine)
4. Leeren Sie die Tanks (B und C, Abbildung 18), wie im vorherigen Absatz gezeigt.
5. Führen Sie die täglichen Wartungsarbeiten (siehe Kapitel "Wartung") aus.
6. Lagern Sie die Maschine an einem sauberen und trockenen Ort, mit den Bürsten-/Pad-Haltern sowie dem Abziehgummi in angehobener Position oder abgenommen.

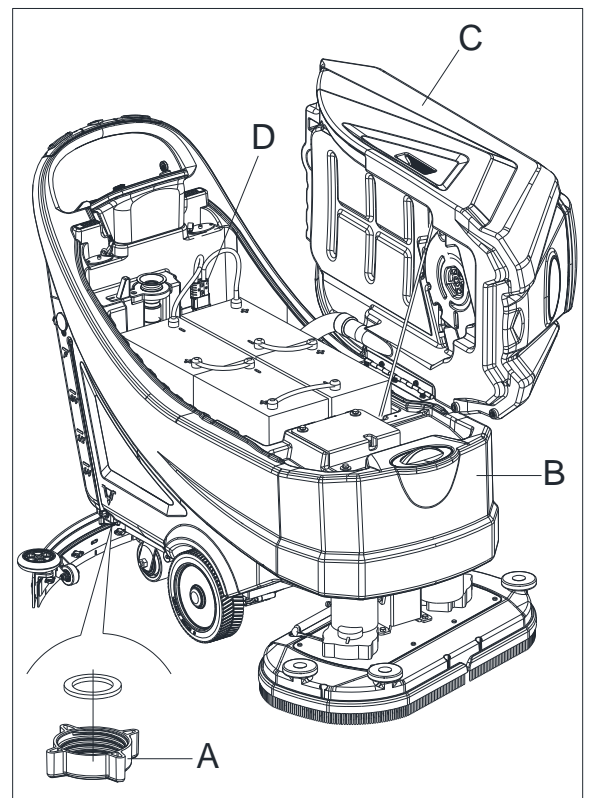


Abbildung 18

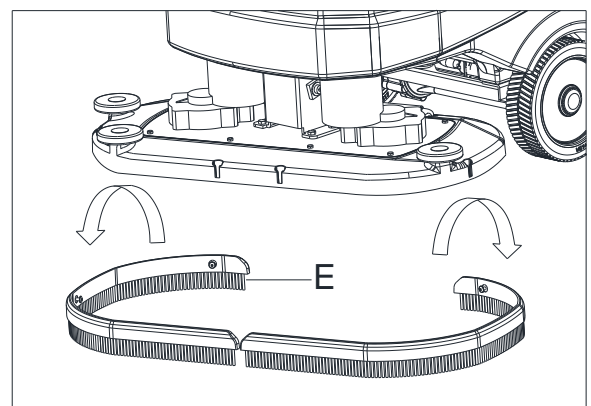


Abbildung 19

MASCHINENLAGERUNG WÄHREND LANGER STILLSTANDZEITEN

Wenn die Maschine länger als 30 Tage nicht benutzt wird, gehen Sie wie folgt vor:

1. Führen Sie die Vorgehensweise aus, wie im Absatz "Nach der Maschinenbenutzung" beschrieben.
2. Sie die Akkuverbindung (29, Abbildung 2).

NACH DER ERSTE INBETRIEBNAHME

Nach den ersten 8 Stunden, überprüfen Sie die Befestigungs- und Verbindungsteile der Maschine, ob diese sachgemäß angezogen sind und überprüfen Sie sichtbare Teile auf Verschleiß und Leckage.

INSTANDHALTUNG



WARNUNG!

Wartungsarbeiten müssen durchgeführt werden, nachdem die Maschine ausgeschaltet und das Batterie-Ladekabel getrennt ist. Darüber hinaus müssen die Kapitel über Sicherheit in diesem Handbuch sorgfältig gelesen werden.

Alle geplanten oder außerordentlichen Wartungsmaßnahmen müssen von qualifiziertem Personal oder einem Service-Center durchgeführt werden. Dieses Handbuch beschreibt nur die allgemeinen Wartungsverfahren.

Wartungsmaßnahmen, die nicht in untenstehender Wartungszeitplantabelle enthalten sind können in der Wartungsanleitung eingesehen werden, die es in jedem Service-Center unseres Unternehmens gibt.

WARTUNGSZEITPLANTABELLE



VORSICHT!

Das (1) gekennzeichnete Verfahren muss durchgeführt werden, nachdem die Maschine die ersten 8 Erstbetriebsstunden gelaufen ist. Das mit (2) gekennzeichnete Verfahren muss vom Service-Center durchgeführt werden, das von unserem Unternehmen autorisiert wird.

Verfahren	Täglich, nach jedem Gebrauch	Wöchent-lich	Halbjährlich	Jährlich
Batterieladung				
Reinigung des abziehgummis				
Reinigung der Bürsten/Kissenhalterung				
Tankreinigung				
Inspektion der Tankdichtleiste				
Reinigung des Schwimmerkugelfilters				
Pad-Reinigung				
Spritzblechreinigung (nur für die Scheibenmaschine)				
Überprüfung und austausch der Sauglippen				
Reinwasserfilterreinigung				
Saugfilterreinigung				
Überprüfung des Nassbatterieflüssigkeitsstands				
Festigkeitsprüfung der Schrauben und Muttern			(1)	
Unterer Isolator (nur für die Orbitalmaschine)			(2)	
Überprüfung oder Austausch der Bürstenmotorkohlen				(2)
Überprüfung oder Austausch der Vakuummotorkohlen				(2)
Überprüfung oder Austausch der Antriebssystemkohlen				(2)

INTRODUKTION



FORSIGTIGT!

Visse generelle og detaljerede maskinoplysninger er ikke inkluderet i denne vejledning. Se VEJLEDNINGEN TIL HURTIG OPSTART på den medfølgende cd-rom, som kan åbnes med Adobe® Reader®.



BEMÆRK

Tallene i parentes henviser til komponenterne, som vist i kapitlet Maskinbeskrivelse.

FORMÅLET MED VEJLEDNINGEN OG DENS INDHOLD

Formålet med denne lynvejledning er at gøre operatøren bekendt med maskinens tekniske ydeevne, konstruktion, drift, inaktivitet, reservedele og sikkerhedsforhold m.m. Sørg for at læse LYNVEJLEDNINGEN TIL HURTIG OPSTART på den medfølgende cd-rom. Inden der udføres arbejde på maskinen, skal operatører og kvalificerede teknikere læse lynvejledningen til hurtig opstart nøje. Kontakt os, hvis du er i tvivl eller har spørgsmål i forbindelse med instruktionerne i denne vejledning.

OPBEVARING AF LYNVEJLEDNINGEN TIL HURTIG OPSTART

Lynvejledningen til hurtig opstart skal opbevares i umiddelbar nærhed af maskinen, i en passende holder og på afstand af væsker og andre stoffer, der kan forårsage skader på den.

OVERENSSTEMMELSESERKLÆRING

Overensstemmelseserklæring leveres sammen med maskinen og certificerer at maskinen er i overensstemmelse med gældende lovgivning.



BEMÆRK

Kopierne af den oprindelige overensstemmelseserklæring leveres sammen med maskinens dokumentation.

TILBEHØR OG VEDLIGEHOLDELSE

Alle nødvendige procedurer vedrørende drift, vedligeholdelse og reparation skal udføres af kvalificerede teknikere eller et af os godkendt værksted. Der må KUN anvendes originale og godkendte reservedele.

Kontakt vores firmas kundeservice for service eller køb af tilbehør eller reservedele om nødvendigt.

UDSKIFTNING OG FORBEDRINGER

Vi arbejder ihærdigt på løbende at forbedre vores produkter, og vi forbeholder os ret til at foretage ændringer og forbedringer af maskinen uden forudgående varsel.

ANVENDELSESOMRÅDE

Gasvaskeren er anvendelig for kommerciel og industriel brug. Den er velegnet til rengøring af glatte og faste overflader, opereret af kvalificeret personale under sikre forhold. Den er ikke egnet til udendørs brug, tæpperensning eller brug på ujævne overflader.

MASKINENS IDENTIFIKATIONSDATA

Maskinens serienummer og modelnavn er markeret på seriemærket.

Denne information er nyttig. Brug følgende tabel til at nedskrive maskinens identifikationsdata, i tilfælde af at der kræves reservedele til maskinen.

MASKINENS MODEL.....
MASKINENS SERIENUMMER.....

TRANSPORT OG UDPÅKNING

Når fragtselskabet leverer maskinen, skal du sørge for at emballage og maskine er hele og ubeskadigede. Hvis nogen er beskadiget, skal fragtselskabet gøres opmærksom om skaden og du skal, før du accepterer varerne forbeholde dig ret til i erstatning af skaden.

Følg anvisningerne på pakningen strengt ved udpakning af maskinen.

Kontroller pakken for at sikre at følgende dele er inkluderet:

1. Teknisk dokumentation lynvejledning til hurtig opstart
2. Stykliste (*).
3. Batteriforbindelse.
4. Vejledning til elektronisk batterioplader (ekstraudstyr) (*)

SIKKERHED

Følgende symboler angiver potentielt farlige situationer. Læs altid denne information grundigt og træf alle nødvendige forholdsregler for at beskytte mennesker og ejendom.

SYNLIGE SYMBOLER PÅ MASKINEN



ADVARSEL!

Læs nøje alle instruktionerne, før der udføres arbejde på maskinen.



ADVARSEL!

Vask ikke maskinen med direkte vandstråler eller vand under tryk.



ADVARSEL!

Betjen ikke maskinen på skrånninger, der er stejlere end sikkerhedsgrænsen angivet i afsnittet Specifikationer.

SYMBOLER ANVENDT I DENNELYNVEJLEDNING TIL HURTIG OPSTART



FARE!

Det indikerer en farlig situation med risiko for død for operatøren.



ADVARSEL!

Det indikerer en potentiel risiko for skader på mennesker.



FORSIGTIGT!

Det angiver, at man skal være opmærksom på vigtige eller nyttige funktioner. Vær opmærksom på de afsnit, der er markeret med dette symbol.



BEMÆRK

Den angiver en bemærkning om vigtige eller nyttige funktioner.



KONSULTATION

Det angiver, at man skal læse nærværende vejledning, inden der udføres nogen som helst form for vedligeholdelse eller andre indgreb på maskinen.

GENERELLE SIKKERHEDSINSTRUKTIONER

Specifikke advarsler og forholdsregler for at informere om potentielle skader på mennesker og maskine er vist nedenfor.



FARE!

- Denne maskine skal betjenes af uddannet og autoriseret personale i henhold til brugsvejledningen.
- Inden der udføres rengøring, vedligeholdelse, reparation eller udskiftning, skal alle instruktioner læses nøje. Maskinen skal desuden slukkes, og batteristikket skal frakobles
- Betjen ikke maskinen i nærheden af giftige, farlige, brændbare og/eller eksplosive stoffer, væsker eller dampe. Denne maskine er ikke egnet til opsamling af farlige pulvere.
- Bær ikke smykker, når der arbejdes i nærheden af elektriske komponenter.
- Arbejd ikke under den løftede maskine, hvis den ikke er fastgjort med et sikkerhedsstativ.
- Når der anvendes blybatterier (VÅD), er der risiko for afgivelse af brændbare gasser. Batterierne skal derfor holdes væk fra gnister, flammer, rygende materialer og udstrålende, lysende og brændende genstande.
- Ved opladning af blybatterier (VÅD) kan der afgives en brintgas, som kan forårsage eksplosioner. Du skal sikre dig at opladningsmiljøet er godt ventileret og væk fra åben ild.



ADVARSEL!

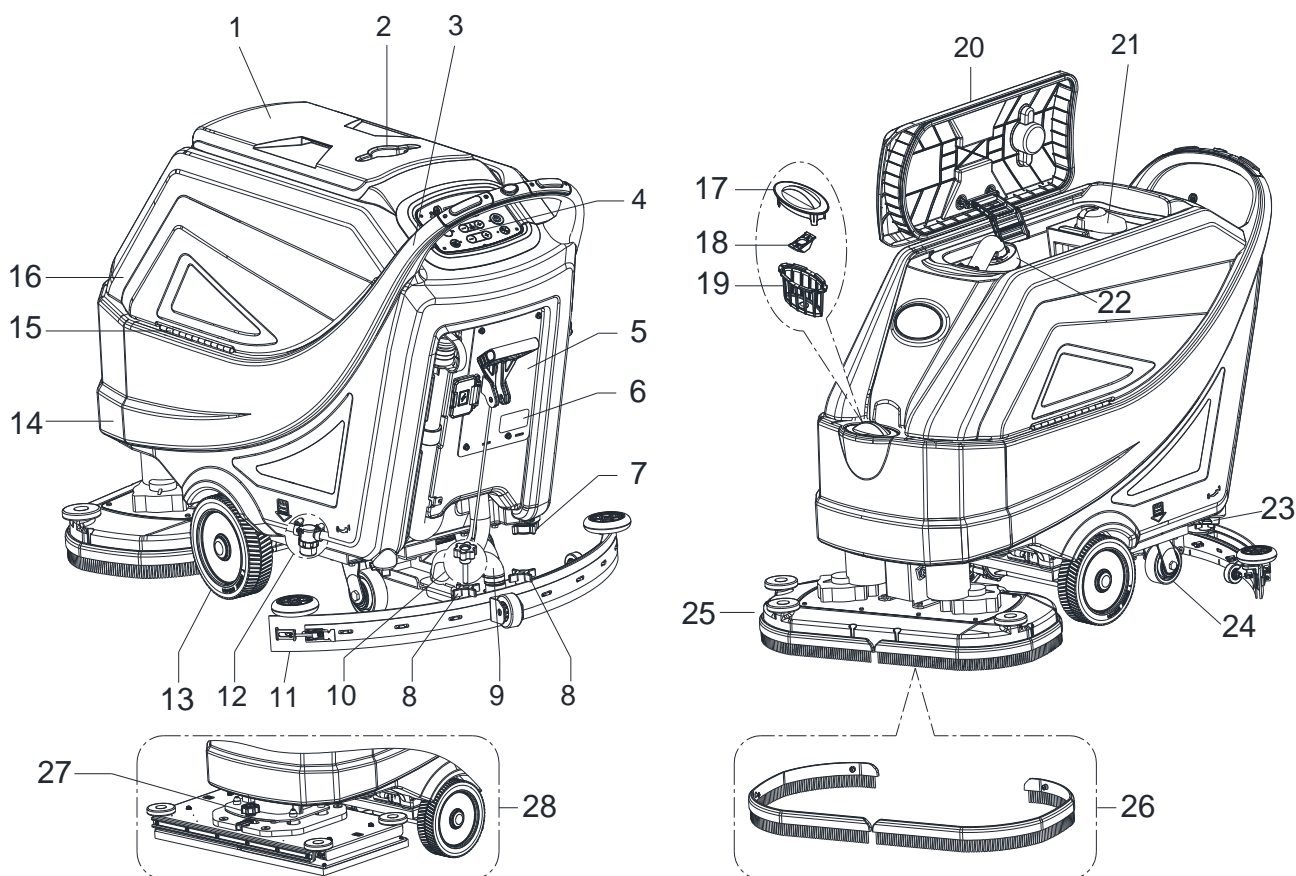
- Denne maskine er beregnet til ERHVERVSMÆSSIG BRUG, for eksempel i hoteller, skoler, hospitaler, fabrikker, butikker, kontorer og udlejningsvirksomheder.
- Maskiner, der efterlades uden opsyn, skal sikres mod utilsigtet at kunne sætte sig i bevægelse.
- Med henblik på at forhindre utilsigtet brug af maskinen skal strømkilden slukkes eller låses. Dette kan for eksempel gøres ved at fjerne nøglen fra hovedafbryderen eller tændingsnøglen.
- Undersøg nøje maskinen før hver brug. Sørg for, at alle komponenter er blevet godt samlet, før brug. Ellers kan det forårsage skader på mennesker og ejendomme.
- Inden batteriopladeren tages i brug, skal det sikres at værdierne for frekvens og spænding matcher lysnettet og svarer til angivelserne på maskinens typeskilt.
- Flyt aldrig maskinen ved at trække i batteriopladerkablet. Lad ikke kablet køre gennem en lukket dør, eller omkring skarpe kanter eller hjørner. Kør ikke maskinen over batteriopladerkablet. Hold batteriopladerkablet væk fra varme overflader.
- Oplad ikke batterierne, hvis batteriopladerkablet eller stikket er beskadiget.
- For at reducere risikoen for brand, elektrisk stød eller personskade skal maskinen slukkes, inden den forlades.
- Brug eller opbevar maskinen indendørs under tørre forhold; den må ikke anvendes udendørs.
- Maskinens opbevarings- og arbejdstemperatur skal være mellem 0 °C og 40 °C; luftfugtigheden skal være mellem 30 % og 95 %.
- Betjen ikke maskinen på skrånninger, der er stejlere end den angivne sikkerhedsgrænse.
- Ved brug og håndtering af gulvrengøringsmidler skal instruktionerne på emballagen følges nøje, og der skal anvendes passende beskyttelseshandsker og beskyttelsestøj.
- Anvend børster og rondeller, der leveres med maskinen eller anbefales i vejledningen. Brug af andre børster eller rondeller kan reducere sikkerheden.
- I tilfælde af funktionsfejl kontrolleres det, at disse ikke er forårsaget af manglende vedligeholdelse. Hvis det er nødvendigt, anmod om assistance fra autoriseret personale eller fra et autoriseret servicecenter.
- Træf alle de nødvendige forholdsregler for at forhindre, at hår, smykker og løse beklædningsdele bliver fanget af maskinens bevægelige dele.
- Anvend ikke maskinen i særligt støvede områder.

- Vask ikke maskinen med direkte eller højtryks stråler, eller ætsende stoffer.
- Undgå at støde ind i hylde eller stilladser, især hvor der er risiko for nedfaldende genstande.
- Undgå at læne væskebeholdere op ad maskinen. Brug i stedet den relevante holder.
- For at undgå at beskadige gulvet skal børsterne/rondellerne slås fra, når maskinen holder stille.
- I tilfælde af brand skal der anvendes pulverlukker. Brug ikke flydende brandslukkere.
- Flyt og fjern ikke maskinens skilte.
- Pil ikke ved maskinens sikkerhedsskærme, og følg altid nøje de planlagte vedligeholdelsestrin.
- Udvis forsigtighed, når maskinen transporteres ved temperaturer under frysepunktet. Vandet i genindvindingstanken og i slangerne kan fryse og forårsage alvorlig skade på maskinen.
- Hvis reservedele skal udskiftes, skal der bestilles ORIGINALE reservedele fra en autoriseret forhandler.
- Indlever maskinen til servicecenteret, hvis den ikke fungerer som den skal, eller hvis den er beskadiget, har været opbevaret udendørs eller er blevet våd.
- For at sikre korrekt og sikker drift af maskinen skal den planlagte vedligeholdelse, som er angivet i det relevante afsnit i denne vejledning, udføres af autoriseret personale eller et autoriseret servicecenter.
- Maskinen skal bortskaffes korrekt, da den indeholder giftige-skadelige materialer (batterier, osv.), der er underlagt standarder, som kræver bortskaffelse i særlige centre (se afsnittet Bortskaffelse).
- Denne maskine er kun beregnet til at blive brugt som en rengøringsmaskine. Den må ikke bruges til andre formål.
- Sørg altid for at holde maskinens åbninger fri for støv, hår og andre fremmedlegemer, der kan reducere luftstrømmen. Maskinen må ikke anvendes, hvis åbningerne er tilstoppede.
- Brug kun maskinen i områder med en korrekt belysning.
- Denne maskine må ikke anvendes af personer (inklusive børn) med nedsat fysisk, sensorisk eller psykisk funktionsevne eller med begrænset erfaring og viden.
- Udvis stor forsigtighed, når maskinen anvendes i nærheden af børn.
- Børn skal være under opsyn for at sikre, at de ikke leger med maskinen.
- Ved betjening af denne maskine skal der træffes alle de nødvendige foranstaltninger for at undgå risiko for personskade eller andre former for ødelæggelse.
- Rengøring og vedligeholdelse må ikke udføres af børn, medmindre de er under opsyn.

BESKRIVELSE AF MASKINEN

MASKINENS STRUKTURE (som vist i figur 1)

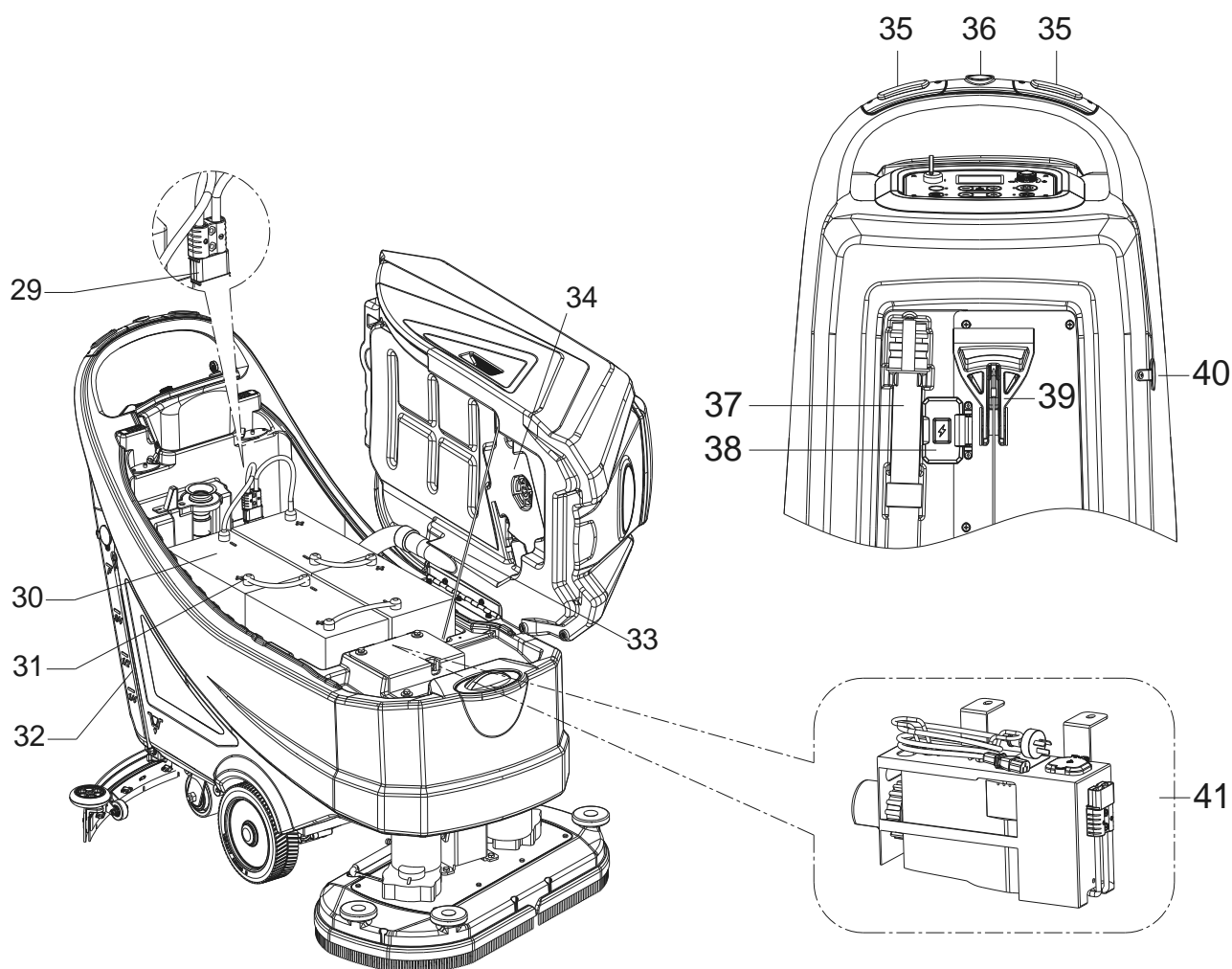
1. Opsamlingstankens låg
2. Dåseholder
3. Kørehåndtag
4. Betjeningspanel
5. Kontrolboks
6. Typeskilt/tekniske data
7. Udledningslåg
8. Sugefodens drejeknapper
9. Sugefodens vakuumslange
10. Sugefodens balancejusteringsknap
11. Sugefod
12. Sæbefilter
13. Kørehjul
14. Opløsningstank
15. Hængsel
16. Opsamlingstank
17. Filterdæksel
18. Holder til påfyldningsslange
19. Filterholder
20. Pakning til tankdæksel
21. Boks til opsamling af snavs
22. Flydekuglefilter
23. Vandhane til opløsning/rent vand
24. Bagerste styrehjul
25. Børstesystem (kun for maskiner med rondeller)
26. Stænkskærm
27. Justeringsknap med orbitalhoved
28. Orbitalsystem (kun for orbitale maskiner)



Figur 1

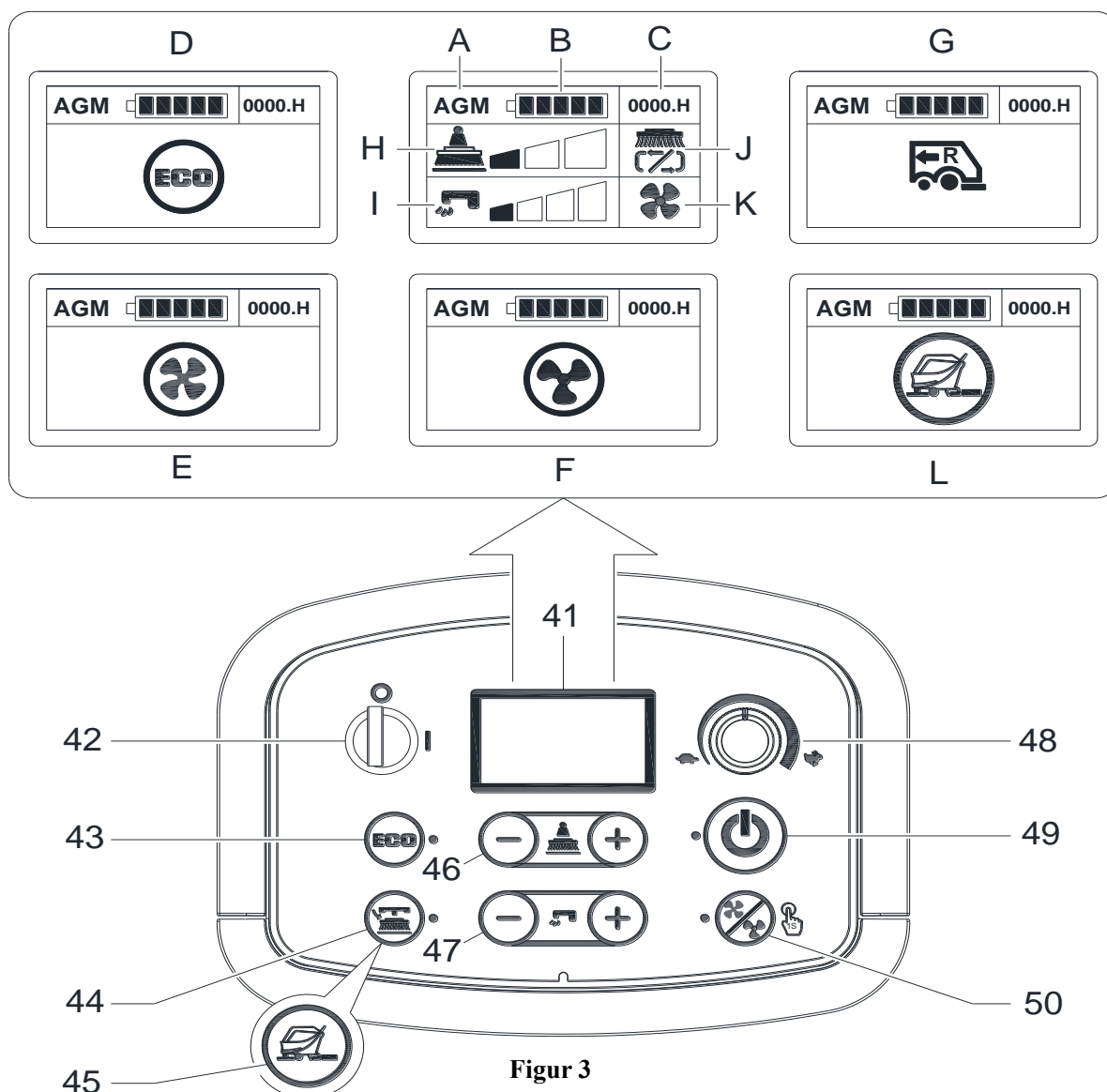
MASKINENS STRUKTUR (som vist i Figur 2)

- | | |
|--------------------------------|---|
| 29. Batteristik (rødt) | 36. Bakkontakt |
| 30. Batterier (*) | 37. Opsamlingstankens afløbsslange |
| 31. Batterihætter | 38. Sikkerhedslåg til ladestik |
| 32. Vandstandsindikator | 39. Sugefods løfte-/sænkehåndtag |
| 33. Sikkerhedsledning til tank | 40. Opløsningstankens påfyldningsdæksel |
| 34. Vakuumsystem | 41. Indbygget oplader (*) |
| 35. Sikkerhedskontakt | (*): Ekstraudstyr |

**Figur 2**

KONTROLPANEL (som vist i figur 3)

41. Multifunktionsdisplay
Visninger:
- A) Batteritype
 - B) Batteriets ladeniveau
 - C) Arbejdstimer
 - D) ECO-tilstand
 - E) Normal vakuumtilstand
 - F) Reduceret støjniveau
 - G) Bak
 - H) Ekstra tryk aktivt
 - I) Sæbedosering
 - J) Børstetilstand
 - K) Vakuumentilstand
 - L) Gulvforberedelse
42. Tændingsnøgle (0 - I)
43. Knap til ECO-tilstand
- LED tændt-følgende funktion aktiveret
 - vandtilførsel på minimum (niveau 1)
 - tryk på minimum (niveau 1)
 - Støjsvag sugning
44. Børste-/rondelholderknap (kun for maskiner med rondeller)
- Blinkende LED-Udløsningssystem aktiveret
45. Gulvforberedelsesknap (kun for orbitale maskiner)
- Kørehastighed forudindstillet til 1 km/t.
 - LED tændt-følgende funktion aktiveret
 - vandtilførsel på minimum (niveau 1)
 - tryk på maksimum (niveau 3)
 - Normal vakuumeffekt
46. Børstetryksjusteringsknap
47. Justeringsknap for sæbedosering
48. Hastighedsregulator
49. Startknap
- LED tændt, følgende funktion aktiveret
 - vandtilførsel på minimum (niveau 1)
 - tryk på minimum (niveau 1)
 - vakuumsystem normalt
50. Vakuumsystemets justeringsknap (tryk på knappen 1 sekund for aktivering)
- LED tændt-normal tilstand
 - Blinkende LED-Støjsvag drift



Figur 3

TEKNISKE PARAMETRE

Parameter Type	Enheder	Model		
		AS6690T	AS7690T	AS7190TO
Opløsningstankens kapacitet	L / Gal	85 L / 22 Gal.		
Opsamlingsstankens kapacitet	L / Gal	90 L / 24 Gal.		
Maskinens længde	mm/tommer	1.490 mm 59 tommer	1550mm 61 tommer	1.490 mm 59 tommer
Maskinens bredde inkl. sugefod	mm/tommer	830 mm / 33 tommer	950 mm / 38 tommer	
Maskinens bredde ekskl. sugefod	mm/tommer	730 mm/29 tommer	830mm/33 tommer	750mm/30 tommer
Maskinens højde	mm/tommer	1.020 mm / 40,2 tommer		
Arbejdsbredde	mm/tommer	660 mm / 26 tommer	760 mm / 30 tommer	710 mm / 28 tommer
Forhjulsdiameter	mm/tommer	230 mm / 9 tommer		
Kørehjulets specifikke tryk på gulvet	N/mm ²	0,67 N/mm ²		
Baghjulsdiameter	mm/tommer	101 mm / 4 tommer		
Baghulets specifikke tryk på gulvet	N/mm ²	0,82 N/mm ²		
Børstens/rondelholderens diameter	mm/tommer	330 mm x 2 / 13 tommer x 2	380mm x 2 / 15 tommer x 2	355 x 710 mm / 14 x 28 tommer
Børstens/rondellens tryk (maks.)	Kg/Lbs.	32 kg /71 Lbs 41 kg /90 Lbs 49 kg /108 Lbs	35 Kg /77 Lbs 43 kg /95 Lbs 51 kg /112 Lbs	42 kg / 93 Lbs 54 Kg / 120 Lbs 65 Kg / 143 Lbs
Sæbetilførsel (maks.) pr. indstilling	L / Gal pr. minut	(0,9/1,5/2,2/3) liter (0,24/0,39/0,58/0,79) Gallons		(0,6/1,1/1,9/2,5) liter (0,16/0,29/0,5/0,66) Gallons
Støjniveau	dB (A)	69 ± 3 dB (A)		
Støjniveau i ECO-tilstand eller støjsvag drift	dB (A)	65 ± 3 dB (A)		
Vibrationsniveau ved kørehåndtag (maks.)	m/s ²	< 2,5 m/s ²		
Stigningsevne (maks.)	% hældning	2%		
Min. venderadius	cm/tommer	155cm/61 tommer	165 cm/65 tommer	160 cm/63 tommer
Køremotorens effekt	Watt / H.P.	250 W / 0,33 HP		350 W / 0,47 HP
Arbejdshastighed	Km / mph	0 - 4,0 Km / 0 - 2,5 mph		0 - 3, 2 km / 0 - 2,0 mph
Fremadkørsel	Km / mph	0 - 4,0 km / 0 - 2,5 mph		
Baglæns kørsel	Km / mph	0 - 2,0 km / 0 - 1,25 mph		
Vakuummotorens effekt	Watt / H.P.	500 W / 0,66 HP		
Sugeevne	mm/In of H ₂ O	1.500 mm / 60 In of H ₂ O		
Sugeevne i ECO-tilstand eller støjsvag drift	mm/In of H ₂ O	900 mm / 35 In of H ₂ O		
Børstemotorkraft	Watt / H.P.	500 x 2 Watt / 0,66 x 2 HP		750 Watt / 1,0 HP
Børstehastighed i normal drift	Omdr./min.	200 omdr./min.		2200 omdr./min.
Børstehastighed i ECO-tilstand	Omdr./min.	160 omdr./min.		1600 omdr./min.
IP-beskyttelsesklasse	IP	IP24		
Batterikammerets størrelse uden indbygget batterioplader (L x B x H)	mm/tommer	(620 x 385 x 390) mm / 24,4 x 15,1 x 15,3 tommer		
Batterikammerets størrelse med indbygget batterioplader (L x B x H) (*)	mm/tommer	(535 x 385 x 390) mm / 21 x 15,1 x 15,3 tommer		
Spænding	DC	24 V		
Batterier (*)	Ah	Ikke relevant		
Batteriets køretid (standardbatterier) (*)	Time	Op til 4 timer		
Indbygget oplader (*)	Volt/Amp	24V 25A		
Produktivitet (maks.)	m ² /t	2.640 m ² /t	3040 m ² /t	2272 m ² /t
Maskinvægt med tomme tanke (uden batterier)	Kg/Lbs.	135 kg / 298 Lbs.	138 kg/304 Lbs.	148 Kg/326 Lbs.
Køretøjets totalvægt (GVW)	Kg/Lbs.	347 Kg / 765 Lbs.	350 Kg / 772 Lbs.	360 Kg / 794 Lbs.
Transportvægt	Kg/Lbs.	202 Kg / 444 Lbs.	205 Kg / 451 Lbs.	215 Kg / 473 Lbs.
Emballagens mål (L x B x H)	mm/tommer	(1.620 x 810 x 1.215 mm) / (64 x 32 x 48 tommer)	(1.660 x 910 x 1.215 mm) / (66 x 36 x 48 tommer)	

(*) : Ekstraudstyr

BRUGSVEJLEDNING

**ADVARSEL!**

Nogle steder på maskinen er der nogle klæbende skilte, som viser:

- FARE!
- ADVARSEL!
- FORSIGTIG!
- KONSULTATION

Når brugeren læser denne Håndbog, skal han/hun være særlig opmærksom på symbolerne, der er vist på skiltene. Dæk ikke disse skilte til af nogen som helst grund, og udskift dem straks, hvis de beskadiges.

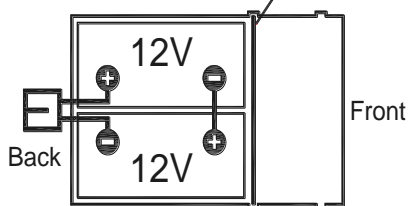
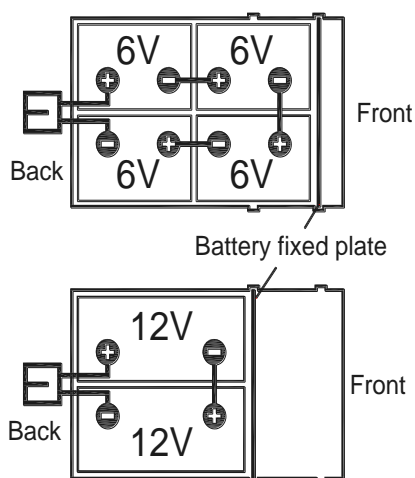
BATTERIKONTROL/INDSTILLING PÅ EN NY MASKINE

**ADVARSEL!**

Maskinens elektriske komponenter kan beskadiges alvorligt, dersom batterierne enten installeres eller forbindes forkert. Batterierne skal installeres af en kvalificeret person. Indstil det elektroniske kredsløbskort og den indbyggede batterioplader til den anvendte batteritype (VÅD eller GEL/AGM). Efterse batterierne for skader, inden de installeres. Afbryd batteristikket og batteriopladerstikket. Behandl batterierne med stor forsigtighed. Installer beskyttelses-afslutningerne på batteriterminalerne, der er leveret med maskinen.

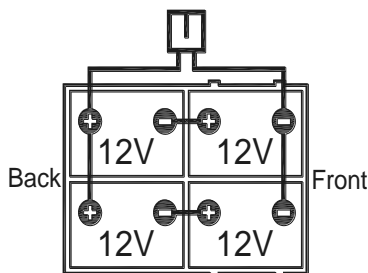
Med monterede batterier

1. Sørg for at batteriklemmen (29, figur 2) er tilsluttet.
2. Første gang maskinen tages i brug med nye batterier skal disse oplades til deres fulde kapacitet (se fremgangsmåde i afsnittet Vedligeholdelse).

**Figur 4****BEMÆRK**

Maskinen kræver to 12 V batterier eller fire 6 V batterier tilsluttet i overensstemmelse med diagrammet (figur 4).

Monter batterierne korrekt som vist i (figur 4).

**Uden batterier**

1. Køb passende batterier (se afsnittet Tekniske data). Kontakt en kvalificeret batteriforhandler for at få hjælp til at udvælge og installere batterierne.
2. Indstil maskinen til den valgte batteritype som vist under Superbrugernøgle i afsnittet Vedligeholdelse.

BATTERINSTALLATION OG INDSTILLING AF BATTERITYPE (WET OR GEL/AGM OR DIS OR ENES)

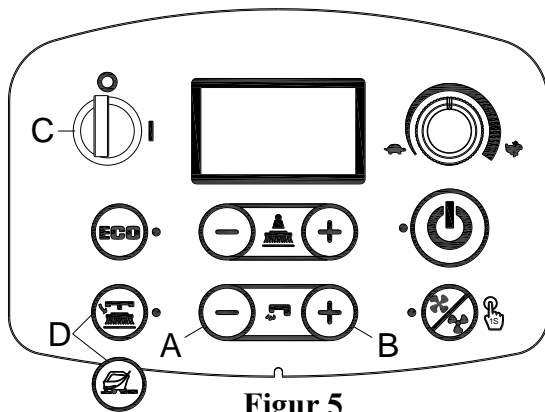
Batteriinstallation

1. Åbn opsamlingsstankens dæksel (1, figur 1), og kontroller at opsamlingsstanken (16) er tom. Tøm den om nødvendigt ved brug af afløbsslangen. (37, figur 2)
2. Luk opsamlingsstankens dæksel (1, figur 1).
3. Løft forsigtigt opsamlingsstanken (16, figur 1).
4. Maskinen leveres med ledninger, der passer til to 12 V batterier eller fire 6 V batterier. Læg forsigtigt batterierne ind i aflukket, og installer dem så korrekt. Monter batterierne korrekt som vist i (figur 4).
5. Forbind og installer batteriledningen som vist i (figur 4), og stram derefter forsigtigt møtrikken på hver batteriterminal.
6. Sæt beskyttelseshætterne på hver terminal, og forbind så batteristikket (29, figur 2).
7. Sænk forsigtigt opsamlingsstanken (16, figur 1).

Indstilling af batteritype (WET OR GEL/AGM OR DIS OR ENES)

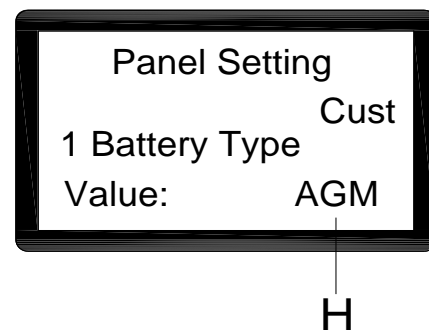
Vælg den ønskede batteritype efter følgende fremgangsmåde

Afhængigt af den valgte type batteri (VÅD eller GEL/AGM) indstilles maskinen som følger:



Figur 5

Access to select battery mode



Figur 6

1. Tryk på vandtilførselsknappen "+" (A, figur 5) og "-" (B, figur 5) samtidig.
2. Sæt tændingsnøglen (C, figur 5) i, og indstil den til "I".
3. Efter nogle sekunder åbnes menuen til valg af batteritype (figur 6)
4. Tryk på vandtilførselsknappen "-" (A, figur 5) og "+" (B, figur 5) for at vælge den ønskede type batteri (H, figur 6)
5. Tryk på udløserknappen for diskversion eller gulvklargøringsknappen for orbitalversion (D, figur 5), Efter 3 sekunder vises "Update OK", hvilket betyder, at den nye indstilling er valgt. (C, figur 5)

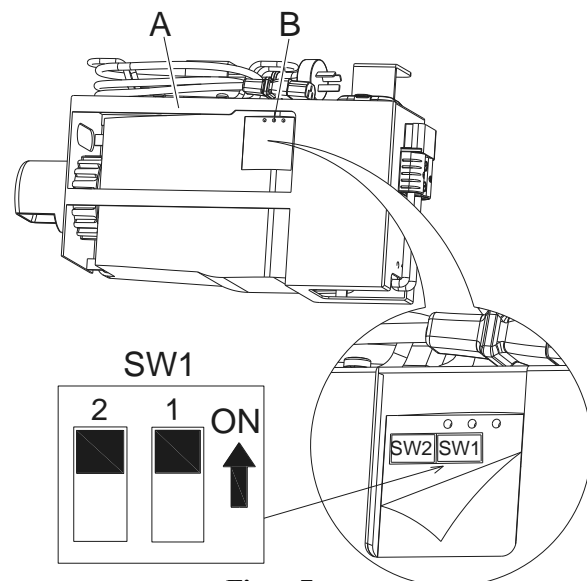
Indstilling af batterioplader (kun for maskiner med indbygget batterioplader)



ADVARSEL!

Forsøg ikke at indstille opladeren uden den nødvendige ekspertise

1. Sluk for maskinen, og frakobl den indbyggede batterioplader (A, figur 7) fra maskinen. Lirk derefter batteriopladerens dæksel op (B, figur 7). To sæt skydekontakter (SW1 og SW2) kommer til syne.
2. Kun det ene sæt skydekontakter (SW1) i venstre side har betydning for opladerens lade karakteristik, som vist i nedenstående tabel.



Figur 7

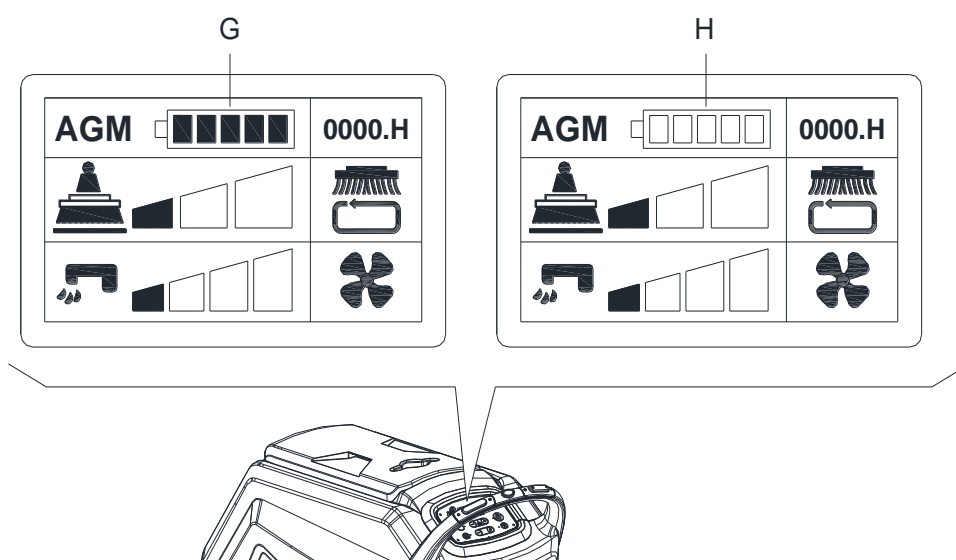
DP1	DP2	LADEKARATERISTIK
TIL	FRA	IUIa-ACD for blysyre- (VÅD)batterier
FRA	FRA	IUIa-GEL for Gel-batterier fra Exide-Sonnenschein
FRA	TIL	IUU0-GEL for HAZE Gel- og AGM-batterier fra andre fabrikanter
TIL	TIL	IUIUa-AGM for Discover AGM-batterier

Opladning af batteri

Oplad batterierne til deres fulde kapacitet (se fremgangsmåde i afsnittet Vedligeholdelse).

Batteriernes lademønster

Når batterimønsteret er fuldt (G, figur 8), kan maskinen fungere korrekt med batterierne. Når batterimønsteret er lavt (H, figur 8), skal batterierne oplades. Nogle få sekunder efter at batterimønsteret er skiftet til lav, slukker børsterne/rondellerne automatisk, mens køresystemet forbliver tændt. Kør straks maskinen hen til et passende område for opladning.



Figur 8



FORSIGTIG!

Når batterierne er afladet, skal de hurtigst muligt oplades, da deres levetid ellers vil blive forringet. Tjek batteriernes opladning mindst en gang om ugen.

AF- OG PÅMONTERING AF BØRSTER/RONDELHOLDER (kun for maskiner med rondeller)**BEMÆRK**

Installer enten børste- (A, Figur 9) eller pudeholder (B og C, Figur 9) efter gulvtypen, der skal rengøres.

**FORSIGTIGT!**

Inden af- eller påmontering af børster eller rondel skal det sikres, at alle kontakter på maskinen er slået fra og at svaberen er løftet fra gulvet. Operatoren skal være udstyret med passende personlige beskyttelsesanordninger såsom handsker for at formindske risikoen for ulykker.

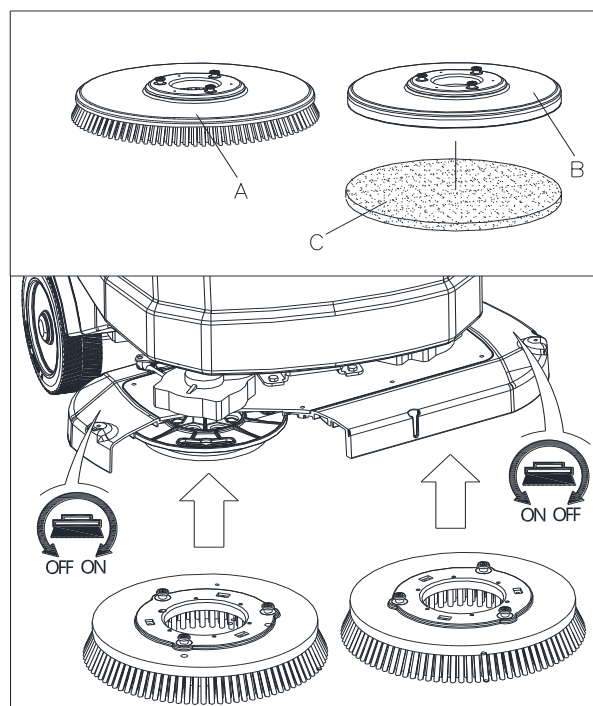
Følg denne fremgangsmåde:

PÅMONTERING:

1. Sæt tændingsnøglen (42, figur 3) i, og indstil den til "I". Løft ophænget. Sluk for maskinen ved at fjerne tændingsnøglen (42).
2. Indstil hastighedsregulatoren (48) til tomgang ved at dreje den mod uret.
3. Placer børsterne (A, figur 9) eller rondelholderen (B) under ophænget.
4. Brug den manuelle metode til at dreje børsterne/rondelholderen i den modsatte retning af deres almindelige rotationsretning. (Se figur 9).

AFMONTERING:

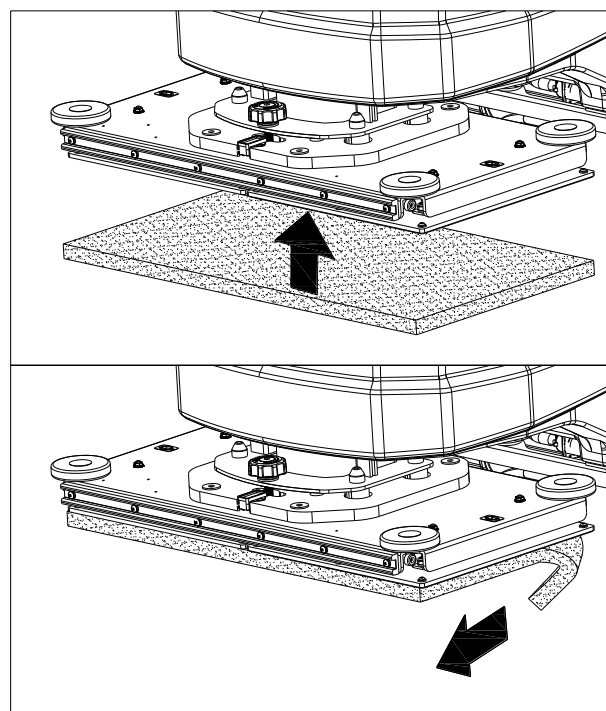
1. Sæt tændingsnøglen (42, figur 3) i, og indstil den til "I". For at fjerne børsterne/rondelholderen løftes ophænget ved at trykke på den tilsvarende knap (44). Børsterne/rondelholderen løsnes.



Figur 9

AF- OG PÅMONTERING AF RONDEL (kun for orbitale maskiner)

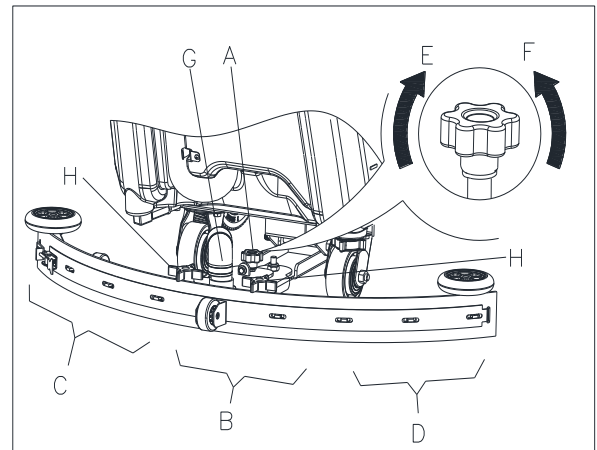
1. Sæt tændingsnøglen (42, figur 3) i, og indstil den til "I". Løft ophænget. Sluk for maskinen ved at fjerne tændingsnøglen.
2. Brug den manuelle metode til at installere eller fjerne rondellen (som vist i figur 10)



Figur 10

JUSTERING AF SUGEFODENS BALANCE

1. Installere sugefoden, og stram møtrikkerne (H, figur 11). Tilslut derefter sugeslangen (G) til sugefoden.
2. Juster sugefoden ved justeringshåndtaget (A, Figur 11).
 - a) Hvis der er et mellemrum mellem jorden og den midterste del af det bagerste blad (B), så drejes knappen (A) mod uret (F), indtil hele det bagerste blad er i kontakt med jorden og det forreste blad rører jorden en anelse.
 - b) Hvis der er mellemrum mellem jorden og begge ender af det bagerste blad (C og D), justeres knappen (A) i urets retning (E), indtil hele det bagerste blad er i kontakt med jorden og det forreste blad rører jorden en anelse.

**Figur 11****PÅFYLDNING AF OPLØSNINGSTANKEN**

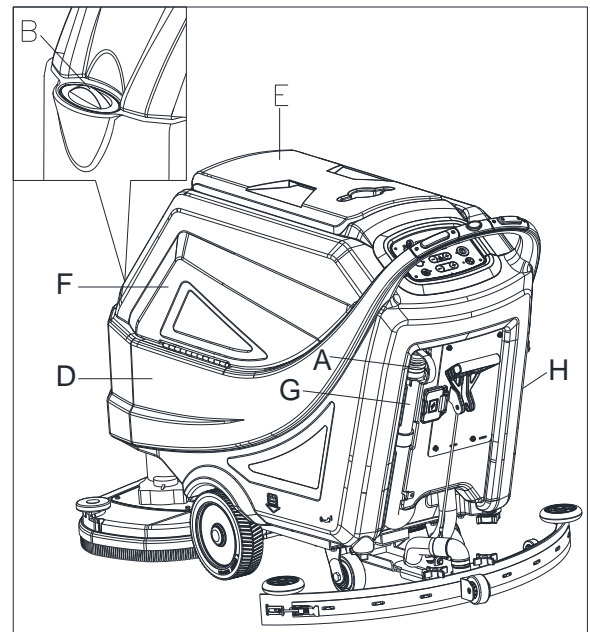
1. Åbn vandtankens dæksel (E, figur 12).
2. Fyld tanken med vand eller en sæbeopløsning, der passer til den forstående type arbejde.
Opløsnings temperaturen må ikke overstige +104F (+40°C).
3. Fyld kun tanken op til det viste niveau (H).

**ADVARSEL!**

Brug kun lavtskummende og ikke brændbare vaskemidler, som er beregnede til automatiske scrubber applikationer.

MASKINSTART OG -STOP**Start af maskinen**

1. Forbered maskinen som vist i det foregående afsnit.
2. Sæt tændingsnøglen (A, figur 13) i, og indstil den til "I". Tjek batteriernes tilstand på displayet. Oplad om nødvendigt batterierne (se fremgangsmåde i afsnittet Vedligeholdelse).
3. Kør maskinen hen til arbejdsområdet:
 - Tryk enten på sikkerhedskontakten (F) for at køre fremad eller på sikkerhedskontakten (F) og bakkontakten (G) samtidig for at køre baglæns. Hastigheden fremad kan justeres med justeringen (H).
4. Sænk sugefoden (I) med den tilsvarende betjeningsknap (J).
5. Sænk børste-/rondelholderophænget (K) ved at trykke på startknappen (L)
6. Tryk på sæbedoseringsknapperne (O) efter behov, afhængigt af den forestående type rengøring.
7. Påbegynd rengøringen:
 - Tryk på en af sikkerhedskontakterne (F) for at aktivere maskinens køresystem. Hvis det er nødvendigt, kan hastigheden fremad justeres med justeringen (H).

**Figur 12**

**BEMÆRK**

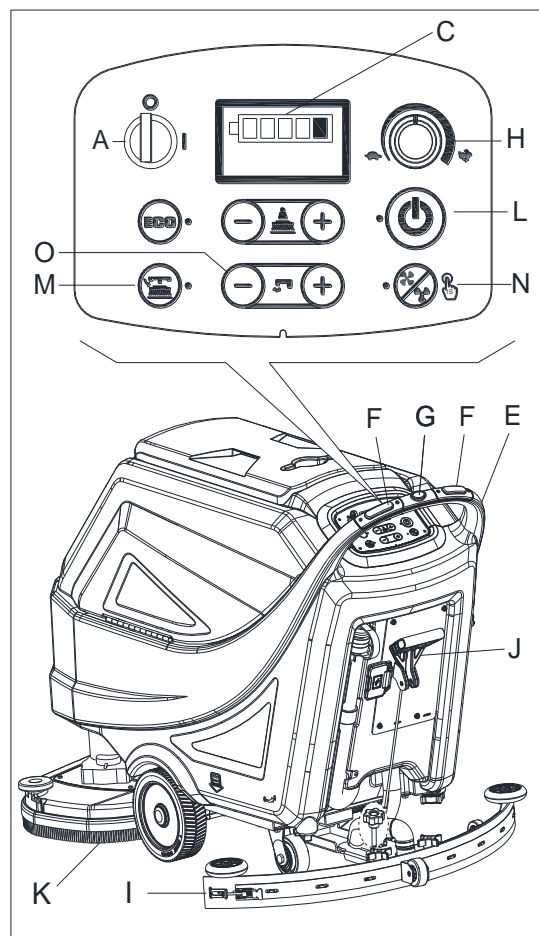
For at køre maskinen fremad trykkes der enten på den venstre eller højre sikkerhedskontakt (F, figur 13) eller på begge knapper samtidig.

Standingsning af maskinen

8. Stands maskinen ved at udløse trykket på sikkerhedskontakterne (F, figur 13)
9. Børsterne stopper. Vakuumsystemet standser efter nogle få sekunder.
10. Løft børste-/rondelholderophænget (K) ved at trykke på startknappen (L).
11. Løft sugefoden (I) med den tilsvarende betjeningsknap til løftning/sænkning (J).
12. Indstil tændingsnøglen (A) til "0".
13. Sørg for at maskinen ikke selv kan sætte i bevægelse.

MASKINENS BRUG (SKURING OG TØRRING)

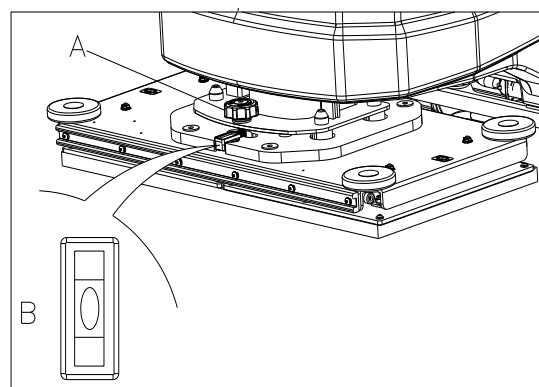
1. Start maskinen som vist i de foregående afsnit.
2. Tryk på en af sikkerhedskontakterne (35, figur 2), og manøvrer maskinen for at begynde at skrubbe/tørre gulvet.
3. Om nødvendigt kan maskinen standses, hvorefter sugefoden justeres efter fremgangsmåden i afsnittet "Justering af sugefodens balance".



Figur 13

JUSTERING AF DET ORBITALE OPHÆNGS NIVEAU (KUN FOR ORBITALE MASKINER)

1. Sæt tændingsnøglen (42) i, og indstil den til "I".
Sænk børste-/rondelholderophænget (25) ved at trykke på startknappen (49)
2. Juster det orbitale ophæng ved at justere håndtaget (A, figur 14), således at boblen befinder sig i midten (B, figur 14).



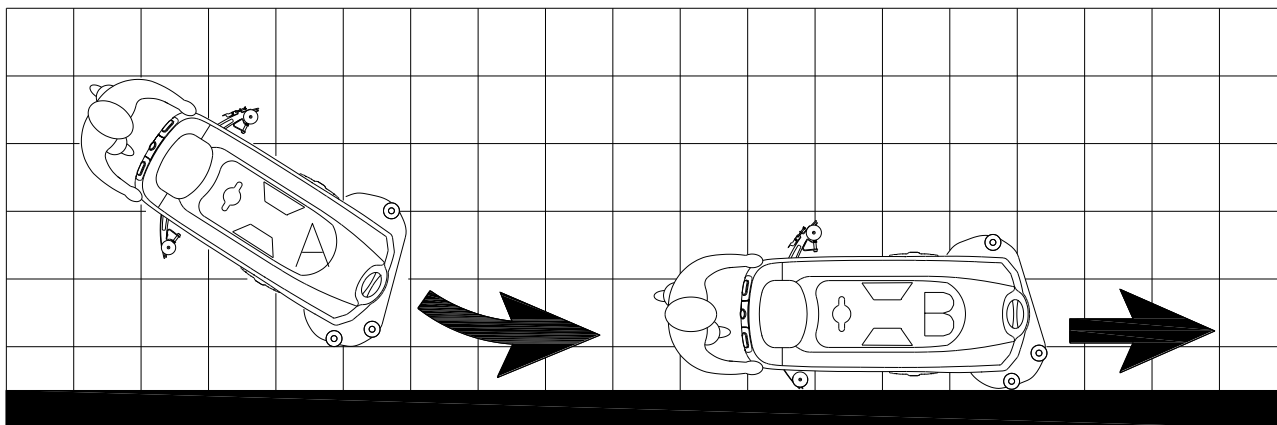
Figur 14

**BEMÆRK**

Korrekt skrubning/tørring af gulve ved sidevæggene opnås bedst ved at man kommer tæt på væggene med maskinens højre side (A og B, figur 15), som vist i figuren.

**FORSIGTIGT!**

For at undgå nogen form for skade på gulvoverfladen skal man slå børster/pudeholdere fra, når maskinen stopper på et sted, især når ekstra tryk-funktionen er slået til.



Figur 15

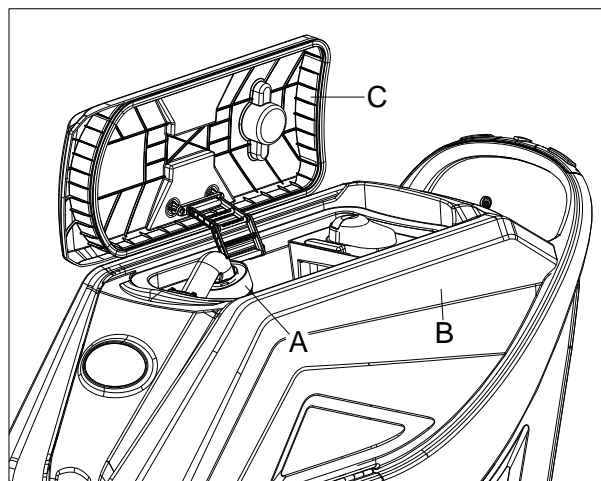
TØMNING AF TANK

Et automatisk lukkesystem med flyder (A, figur 16) blokerer vakuumsystemet, når opsamlingstanken (B) er fuld. Deaktivering af vakuumsystemet vises ved en pludselig tiltagen i vakuummotor-systemets støjfrekvens, og gulvet er heller ikke blevet tørt.

**FORSIGTIG!**

Hvis vakuumsystemet slår fra ved et uheld (for eksempel, når flyderen aktiveres p.g.a. en pludselig maskinbevægelse), så gør man flg. for at genoptage brugen: sluk for vakuumsystemet ved at trykke på kontakten (50, figur 3), så åbner man låget (C, figur 16) og kontrollerer, at flyderen inden for gitteret (A) er gået ned til vandniveau. Luk derefter låget (C), og slå vakuumsystemet til ved at trykke på kontakten (50, figur 3).

Når opsamlingstanken (B, figur 16) er fuld, skal den tømmes efter følgende fremgangsmåde.



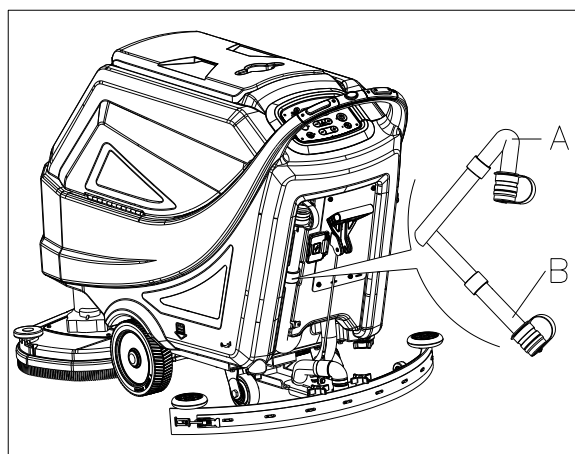
Figur 16

Tømning af opsamlingstanken

1. Stands maskinen.
2. Løft børste-/rondelholderophænget (25, figur 1) ved at trykke på startknappen (49, figur 3), eller genstart maskinen med tændingsnøglen (42, figur 3).
3. Løft sugefoden (11, figur 1) med det tilsvarende håndtag (39, figur 2).
4. Kør maskinen hen til det udvalgte tømningsområde.
5. Tøm opsamlingstanken ved brug af slangen (A, figur 17). Skyl derefter tanken (B, figur 16) med rent vand.

**FORSIGTIGT!**

Ved tømning af opsamlingstanken skal vakuumledningen til affald foldes (A, figur 17) og sænkes til en lavere stilling (B, figur 17). Herefter åbnes låget på vakuumledningen, så vandet kan løbe ud. Gør det ikke sådan, at udledningen fra vakuumledningen vender opad for at dræne vandet lodret. Dette tjener til at undgå, at affaldsvand spildes på brugeren.

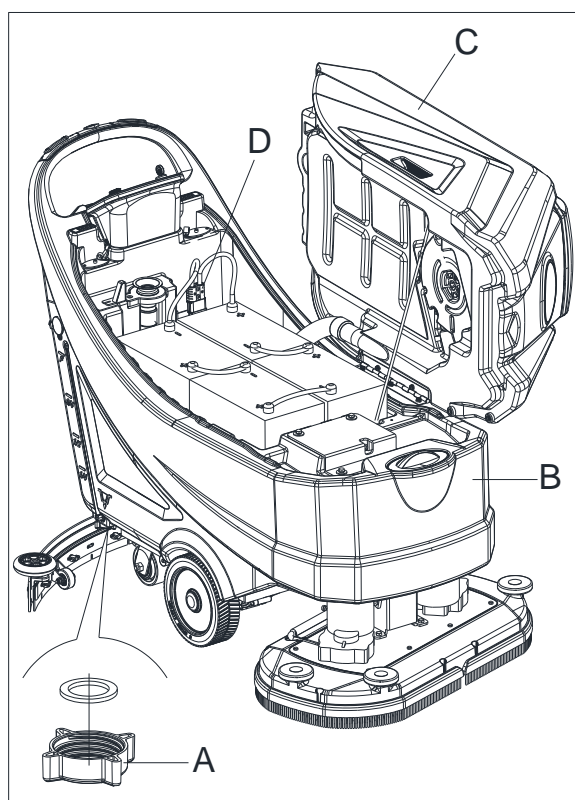
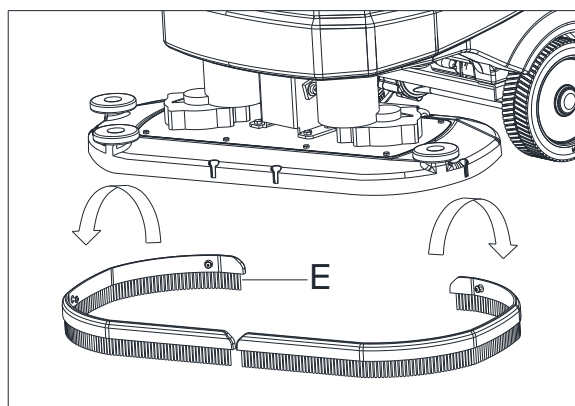
**Figur 17****Tømning af opløsnings-/rent-vandtanken**

1. Tøm opløsningsstanken gennem udledningslåget (A, figur 18). Rengør tanken med rent vand efter arbejdet.

EFTER BRUGEN AF MASKINEN

Inden maskinen forlades:

1. Fjern børsterne/rondelholderne ved at trykke på knappen (44, figur 3), og rengør dem (kun for maskiner med rondeller).
2. Fjern stænkskærmen (E, figur 19), og rengør den. (kun for maskiner med rondeller)
3. Fjern rondellen, og rengør den. (kun for orbitale maskiner)
4. Tøm tankene (B og C, figur 18) som vist i det foregående afsnit.
5. Udfør de daglige vedligeholdelsesprocedurer (se afsnittet Vedligeholdelse).
6. Opbevar maskinen et rent og tørt sted med børsterne/rondelholderne og sugefoden løftet eller fjernet.

**Figur 18****Figur 19**

OPBEVARING I TILFÆLDE AF LÆNGEREVARENDE INAKTIVITET

Hvis maskinen ikke skal anvendes i mere end 30 dage, så gå frem således:

1. Udfør procedurene beskrevet i afsnittet Efter brug af maskinen.
2. Frakobl batteristikket (29, figur 2).

FØRSTE BRUGSPERIODE

Efter de første 8 timer kontrolleres fastgøringelsen af maskinen og de forbindende dele angående korrekt fastgørelse., og de synlige dele kontrolleres for slitage og lækage.

VEDLIGEHOLDELSE**ADVARSEL!**

Vedligeholdelsesprocedurer skal udføres, efter at maskinen er slukket, og batteriopladerkablet er frakoblet. Hertil skal du omhyggeligt læse kapitler med sikkerhedsforskrifterne i manualen.

Alle planlagte eller ekstraordinære vedligeholdelsesprocedurer skal udføres af kvalificeret personale eller et autoriseret servicecenter. Denne manual beskriver kun de generelle og almindelige vedligeholdelsesprocedurer.

For andre vedligeholdelsesprocedurer, der ikke er at finde i nedenstående vedligeholdelsestabel henvises der til Servicehåndbogen, der kan konsulteres på alle vores firmas servicecentre.

TABEL FOR PLANLAGT VEDLIGEHOLDELSE**FORSIGTIGT!**

Proceduren markeret med (1) skal udføres når maskinen har været i brug i de første 8 timer. Proceduren markeret med (2) skal udføres af et Servicecenter der er kvalificeret af vores firma.

Procedure	Dagligt, efter hver brug	Ugenligt	Halvårligt	Årligt
Opladning af batteri				
Rengøring af sugefod				
Rengøring af børste-/pudeholder				
Rengøring af tank				
Inspektion af af tankens forsegling				
Rengøring af flydeboldfilter				
Rengøring af rondel				
Rengøring af stænkskærm (kun for maskiner med rondel)				
Kontrol og udskiftning af blade				
Rengøring af rentvandsfilter				
Rengøring af sugefilter				
Kontrol af væskniveau på WET-batteri				
Inspektion af skruer og møtrikker			(1)	
Nedre isolator (kun for orbitale maskiner)			(2)	
Kontrol eller udskiftning af børstemotorens børstekul				(2)
Kontrol eller udskiftning af sugemotorens børstekul				(2)
Kontrol eller udskiftning af drivmotorens børstekul				(2)

ΕΙΣΑΓΩΓΗ**ΠΡΟΣΟΧΗ!**

Ορισμένες γενικές και αναλυτικές πληροφορίες σχετικά με το μηχάνημα δεν περιλαμβάνονται στον παρόντα οδηγό.

Ανατρέξτε στο Εγχειρίδιο του ΟΔΗΓΟΥ ΓΡΗΓΟΡΗΣ ΕΚΚΙΝΗΣΗΣ που βρίσκεται στο παρεχόμενο CD-ROM. Η ανάγνωση πραγματοποιείται μέσω του Adobe® Reader®.

**ΣΗΜΕΙΩΣΗ**

Οι αριθμοί στις παρενθέσεις αναφέρονται στα εξαρτήματα που εμφανίζονται στο κεφάλαιο <<Περιγραφή του μηχανήματος>>.

ΣΚΟΠΟΣ ΚΑΙ ΠΕΡΙΕΧΟΜΕΝΟ ΤΟΥ ΟΔΗΓΟΥ

Ο σκοπός του παρόντα οδηγού γρήγορης εκκίνησης είναι να εφοδιάσει τον χειριστή με όλες τις βασικές πληροφορίες για την ορθή χρήση του μηχανήματος. Για πληροφορίες σχετικά με τα τεχνικά χαρακτηριστικά, τη λειτουργία, την αδράνεια του μηχανήματος, τα ανταλλακτικά, τις συνθήκες ασφαλείας κλπ., ανατρέξτε στο εγχειρίδιο του ΟΔΗΓΟΥ ΓΡΗΓΟΡΗΣ ΕΚΚΙΝΗΣΗΣ που βρίσκεται στο παρεχόμενο CD-ROM.

Πριν από την πραγματοποίηση οποιαδήποτε διαδικασίας στο μηχάνημα, οι χειριστές και οι εξειδικευμένοι τεχνικοί θα πρέπει να διαβάσουν τον οδηγό γρήγορης εκκίνησης. Επικοινωνήστε με την εταιρεία μας σε περίπτωση που έχετε αμφιβολία ως προς την ερμηνεία των οδηγιών ή για οποιαδήποτε περαιτέρω πληροφορία.

ΤΡΟΠΟΣ ΦΥΛΑΞΗΣ ΤΟΥ ΠΑΡΟΝΤΟΣ ΟΔΗΓΟΥ ΓΡΗΓΟΡΗΣ ΕΚΚΙΝΗΣΗΣ

Πρέπει να φυλάσσετε τον οδηγό γρήγορης εκκίνησης κοντά στο μηχάνημα, μέσα σε κατάλληλη θήκη, μακριά από υγρά και άλλες ουσίες που μπορούν να προκαλέσουν οποιαδήποτε ζημιά σε αυτόν.

ΔΗΛΩΣΗ ΣΥΜΜΟΡΦΩΣΗΣ

Η δήλωση συμμόρφωσης συνοδεύει το μηχάνημα και πιστοποιεί ότι το μηχάνημα πληροί τις προϋποθέσεις της ισχύουσας νομοθεσίας.

**ΣΗΜΕΙΩΣΗ**

Αντίγραφα της αρχικής δήλωσης συμμόρφωσης συνοδεύουν τα έγγραφα του μηχανήματος.

ΑΞΕΣΟΥΑΡ ΚΑΙ ΣΥΝΤΗΡΗΣΗ

Όλες οι απαραίτητες διαδικασίες λειτουργίας, συντήρησης και επισκευής πρέπει να εκτελούνται από εξειδικευμένο προσωπικό, είτε από εξουσιοδοτημένο Κέντρο εξυπηρέτησης που έχει καθοριστεί από την εταιρεία μας. Θα πρέπει να χρησιμοποιούνται ΜΟΝΟ εξουσιοδοτημένα ανταλλακτικά και αξεσουάρ.

Εάν χρειαστεί, επικοινωνήστε με το Κέντρο εξυπηρέτησης πελατών της εταιρείας μας, για οποιαδήποτε εξυπηρέτηση ή για να αγοράσετε αξεσουάρ ή ανταλλακτικά.

ΑΛΛΑΓΗ ΚΑΙ ΒΕΛΤΙΩΣΗ

Έχουμε δεσμευτεί για συνεχή βελτίωση των προϊόντων μας η εταιρεία διατηρεί το δικαίωμα αλλαγών και βελτιώσεων του μηχανήματος χωρίς πρόσθετη ενημέρωση.

ΠΕΔΙΟ ΕΦΑΡΜΟΓΗΣ

Η πλυντρίδα κάνει για εμπορική και βιομηχανική χρήση. Είναι κατάλληλη για τον καθαρισμό ομαλών και συμπαγών δαπέδων, και πρέπει να τη λειτουργεί ειδικευμένο προσωπικό, με ασφάλεια. Δεν είναι κατάλληλη για χρήση σε εξωτερικούς χώρους ή χαλιά ή για καθαρισμό τραχέος δαπέδου.

ΣΤΟΙΧΕΙΑ ΑΝΑΓΝΩΡΙΣΗΣ ΜΗΧΑΝΗΜΑΤΟΣ

Ο σειριακός αριθμός του μηχανήματος και το όνομα του μοντέλου αναγράφονται στη σειριακή ετικέτα.

Η πληροφορία αυτή είναι χρήσιμη. Χρησιμοποιήστε τον παρακάτω πίνακα για να γράψετε τα στοιχεία αναγνώρισης του μηχανήματος, όταν χρειάζεστε ανταλλακτικά για το μηχάνημα.

ΜΟΝΤΕΛΟ ΜΗΧΑΝΗΜΑΤΟΣ
ΣΕΙΡΙΑΚΟΣ ΑΡΙΘΜΟΣ ΤΟΥ ΜΗΧΑΝΗΜΑΤΟΣ

ΜΕΤΑΦΟΡΑ ΚΑΙ ΑΠΟΣΥΣΚΕΥΑΣΙΑ

Όταν ο μεταφορέας παραδίδει το μηχάνημα, βεβαιωθείτε ότι η συσκευασία και το μηχάνημα είναι ακέραια και άθικτα. Εάν υπάρχει κάποια ζημιά, ενημερώστε τον μεταφορέα για τη ζημιά και, πριν αποδεχθείτε το εμπόρευμα, επιφυλάξτε το δικαίωμα για αποζημίωση σχετικά με τη ζημιά.

Ακολουθήστε αυστηρά τις οδηγίες στη συσκευασία των προϊόντων κατά την αφαίρεση της συσκευασίας.

Ελέγξτε τη συσκευασία για να βεβαιωθείτε ότι περιλαμβάνονται τα παρακάτω στοιχεία:

1. Τεχνικά έγγραφα οδηγός γρήγορης εκκίνησης
2. Κατάλογος ανταλλακτικών (*).
3. Σύνδεση μπαταρίας.
4. Εγχειρίδιο ηλεκτρονικού φορτιστή μπαταρίας (αν έχει εγκατασταθεί) (*).

ΑΣΦΑΛΕΙΑ

Τα παρακάτω σύμβολα υποδεικνύουν πιθανές επικίνδυνες καταστάσεις. Να διαβάσετε πάντα τις πληροφορίες προσεκτικά και να παίρνετε όλες τις απαραίτητες προφυλάξεις για την προστασία ανθρώπων και περιουσίας.

ΟΡΑΤΑ ΣΥΜΒΟΛΑ ΣΤΟ ΜΗΧΑΝΗΜΑ**ΠΡΟΕΙΔΟΠΟΙΗΣΗ!**

Διαβάστε όλες τις οδηγίες προσεκτικά πριν προβείτε σε οποιαδήποτε εργασία στο μηχάνημα.

**ΠΡΟΕΙΔΟΠΟΙΗΣΗ!**

Μην πλένετε το μηχάνημα με νερό που πέφτει κατευθείαν πάνω του ή με νερό υπό πίεση.

**ΠΡΟΕΙΔΟΠΟΙΗΣΗ!**

Μη χρησιμοποιείτε το μηχάνημα σε πλαγιές με κλίση μεγαλύτερη από ό,τι ορίζεται στις προδιαγραφές.

ΣΥΜΒΟΛΑ ΠΟΥ ΕΜΦΑΝΙΖΟΝΤΑΙ ΣΤΟΝ ΟΔΗΓΟ ΓΡΗΓΟΡΗΣ ΕΚΚΙΝΗΣΗΣ**ΚΙΝΔΥΝΟΣ!**

Υποδεικνύει μια επικίνδυνη κατάσταση με κίνδυνο θανάτου για το χειριστή.

**ΠΡΟΕΙΔΟΠΟΙΗΣΗ!**

Αυτό δείχνει έναν πιθανό κίνδυνο τραυματισμού για τους ανθρώπους.

**ΠΡΟΣΟΧΗ!**

Αυτό δείχνει μία προφύλαξη ή παρατήρηση που σχετίζεται με σημαντικές ή χρήσιμες λειτουργίες. Δώστε προσοχή στις παραγράφους που επισημαίνονται με αυτό το σύμβολο.

**ΣΗΜΕΙΩΣΗ**

Αυτό δείχνει μια παρατήρηση που σχετίζεται με σημαντικές ή χρήσιμες λειτουργίες.

**ΣΥΜΒΟΥΛΕΥΣΗ**

Αυτό δείχνει την ανάγκη να συμβουλευτείτε τον οδηγό γρήγορης εκκίνησης πριν εκτελέσετε κάποια διαδικασία.

ΓΕΝΙΚΕΣ ΟΔΗΓΙΕΣ ΑΣΦΑΛΕΙΑΣ

Παρακάτω εμφανίζονται ειδικές προειδοποιήσεις και προφυλάξεις που ενημερώνουν σχετικά με πιθανές ζημιές σε ανθρώπους και το μηχάνημα.



ΚΙΝΔΥΝΟΣ!

- Αυτό το μηχάνημα πρέπει να το λειτουργεί εκπαιδευμένο και εξουσιοδοτημένο προσωπικό, σύμφωνα με τις οδηγίες του εγχειριδίου.
- Πριν εκτελέσετε κάποια διαδικασία καθαρισμού, συντήρησης, επισκευής ή αντικατάστασης, διαβάστε προσεκτικά όλες τις οδηγίες, φροντίστε να απενεργοποιήσετε το μηχάνημα (στη θέση OFF) και να αποσυνδέσετε το βύσμα της μπαταρίας.
- Μη λειτουργείτε το μηχάνημα κοντά σε τοξικές, επικίνδυνες, εύφλεκτες ή / και εκρηκτικές σκόνες, υγρά ή ατμούς. Αυτό το μηχάνημα δεν είναι κατάλληλο για τη συλλογή επικίνδυνης σκόνης.
- Μη φοράτε κοσμήματα όταν εργάζεστε κοντά σε ηλεκτρικά εξαρτήματα.
- Μην εργάζεστε κάτω από το ανυψωμένο μηχάνημα αν δεν υποστηρίζεται με βάσεις ασφαλείας.
- Κατά τη χρήση μπαταριών μολύβδου (WET), μπορεί να εκλύονται εύφλεκτα αέρια υπό κανονικές συνθήκες χρήσης. Για το λόγο αυτό πρέπει να κρατάτε μακριά από τις μπαταρίες τα εξής: σπινθήρες, φλόγες, τσιγάρα, αναπτήρες, σπρίττα, καθώς και αντικείμενα που εκπέμπουν ακτινοβολία, φωτισμό ή φλόγες.
- Κατά τη φόρτιση μπαταριών μολύβδου (WET), μπορεί να υπάρξει εκπομπή αερίου υδρογόνου, το οποίο μπορεί να εκραγεί. Πρέπει να διασφαλίσετε ότι το περιβάλλον φόρτισης αερίζεται καλά και βρίσκεται μακριά από γυμνή φλόγα.



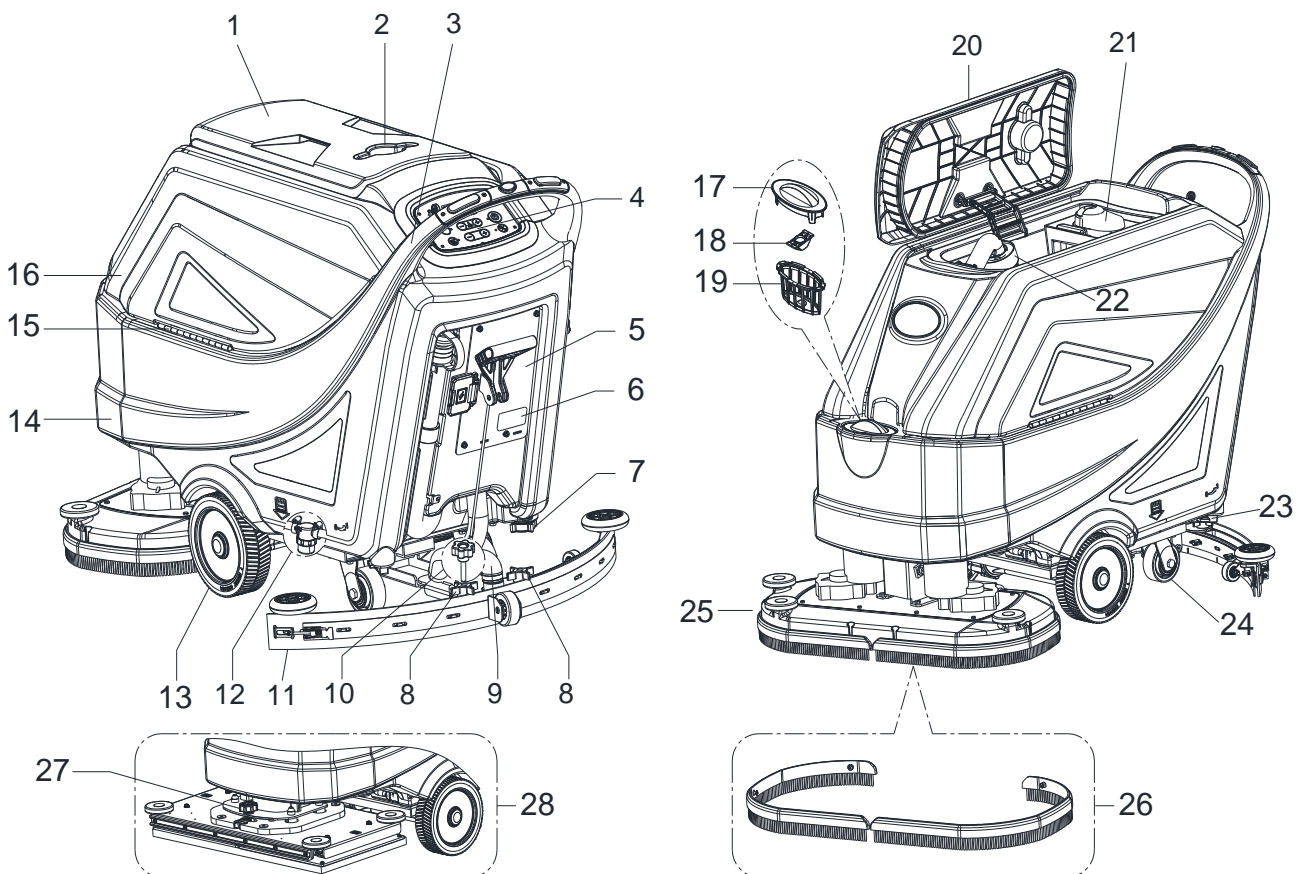
ΠΡΟΕΙΔΟΠΟΙΗΣΗ!

- Αυτό το μηχάνημα προορίζεται για ΕΠΑΓΓΕΛΜΑΤΙΚΗ ΧΡΗΣΗ, για παράδειγμα, σε ξενοδοχεία, σχολεία, νοσοκομεία, εργοστάσια, καταστήματα, γραφεία και επιχειρήσεις εκμισθώσεων.
- Τα μηχανήματα που αφήνονται χωρίς επίβλεψη θα πρέπει να ασφαρίζονται έναντι αθέλητης μετακίνησης.
- Για να αποφευχθεί η μη εξουσιοδοτημένη χρήση του μηχανήματος, η πηγή τροφοδοσίας ισχύος θα απενεργοποιείται ή θα κλειδώνεται, για παράδειγμα, αφαιρώντας το κλειδί του κύριου διακόπτη ή το κλειδί της μίζας.
- Ελέγξτε προσεκτικά το μηχάνημα πριν από κάθε χρήση. Βεβαιωθείτε ότι όλα τα εξαρτήματα έχουν συναρμολογηθεί καλά πριν από τη χρήση. Διαφορετικά μπορεί να προκληθούν τραυματισμοί σε ανθρώπους και ζημιές σε περιουσίες.
- Πριν χρησιμοποιήσετε το φορτιστή μπαταρίας, βεβαιωθείτε ότι οι τιμές της συχνότητας και τάσης που αναγράφονται στην ετικέτα σειριακού αριθμού του μηχανήματος ταιριάζουν με τις τιμές του ηλεκτρικού σας ρεύματος.
- Ποτέ μη μετακινείτε τη συσκευή τραβώντας το καλώδιο του φορτιστή μπαταρίας. Μην περνάτε το καλώδιο μέσα από κλειστή πόρτα, ή πάνω από αιχμηρές άκρες ή γωνίες. Μην περνάτε το μηχάνημα πάνω από το καλώδιο του φορτιστή μπαταρίας. Κρατήστε το καλώδιο του φορτιστή μπαταρίας μακριά από θερμαινόμενες επιφάνειες. Μη φορτίζετε τις μπαταρίες εάν έχει πάθει ζημιά το καλώδιο του φορτιστή μπαταρίας ή το φιλ.
- Για να μειώσετε τον κίνδυνο πυρκαγιάς, ηλεκτροπληξίας ή τραυματισμού, βεβαιωθείτε ότι η συσκευή είναι απενεργοποιημένη πριν φύγετε.
- Να χρησιμοποιείτε ή να αποθηκεύετε το μηχάνημα σε εσωτερικούς χώρους, σε στεγνό περιβάλλον. Δεν επιτρέπεται η χρήση του σε εξωτερικούς χώρους.
- Η θερμοκρασία αποθήκευσης και λειτουργίας του μηχανήματος πρέπει να είναι μεταξύ 0°C και +40°C. Η υγρασία του αέρα πρέπει να είναι μεταξύ 30% - 95%.
- Μη χρησιμοποιείτε το μηχάνημα σε πλαγιές με κλίση μεγαλύτερη από αυτή που περιλαμβάνεται στις προδιαγραφές.
- Όταν χρησιμοποιείτε και μεταχειρίζεστε απορρυπαντικά καθαρισμού πατωμάτων, ακολουθήστε τις οδηγίες που αναγράφονται στις ετικέτες των απορρυπαντικών και φορέστε κατάλληλα γάντια και προστατευτικά γυαλιά.
- Χρησιμοποιήστε τις βούρτσες και τους δίσκους που παρέχονται με το μηχάνημα ή αυτά που καθορίζονται στο εγχειρίδιο. Η χρήση άλλων βουρτσών και δίσκων μπορεί να μειώσει την ασφάλεια.
- Σε περίπτωση δυσλειτουργίας του μηχανήματος, ελέγξτε εάν οφείλεται σε έλλειψη συντήρησης. Εάν χρειάζεται, ζητήστε βοήθεια από εξουσιοδοτημένο προσωπικό ή από εξουσιοδοτημένο Κέντρο εξυπηρέτησης.
- Λάβετε όλες τις απαραίτητες προφυλάξεις για να μην πιαστούν μαλλιά, κοσμήματα και χαλαρά ενδύματα από κινούμενα μέρη του μηχανήματος.
- Μη χρησιμοποιείτε αυτό το μηχάνημα σε ιδιαίτερα βρώμικες περιοχές.

- Μην πλένετε το μηχάνημα με νερό που πέφτει κατευθείαν πάνω του ή με νερό υπό πίεση, ή με διαβρωτικές ουσίες.
- Μην χτυπάτε πάνω σε ράφια ή σκαλωσιές, ιδίως εάν υπάρχει κίνδυνος πτώσης αντικειμένων.
- Μην ακουμπάτε δοχεία υγρού πάνω στο μηχάνημα, χρησιμοποιήστε τις θήκες για κάθε δοχείο.
- Για να αποφευχθεί η πρόκληση ζημιάς στο πάτωμα, μην αφήνετε να λειτουργήσει η βούρτσα / ο δίσκος, όσο το μηχάνημα είναι στάσιμο.
- Σε περίπτωση πυρκαγιάς, χρησιμοποιήστε πυροσβεστήρα ξηρής σκόνης. Μην χρησιμοποιείτε πυροσβεστήρες υγρού.
- Μην αφαιρείτε ή τροποποιείτε τα αυτοκόλλητα πάνω στο μηχάνημα.
- Μην παρεμβαίνετε στα διάφορα προστατευτικά του μηχανήματος. Να ακολουθείτε τις οδηγίες συντήρησης σχολαστικά.
- Προσοχή κατά τη μεταφορά του μηχανήματος όταν η θερμοκρασία είναι κάτω από το σημείο ψύξης. Το νερό στον κάδο ακάθαρτου υγρού και στους σωλήνες μπορεί να παγώσει και να προκαλέσει σοβαρή βλάβη στο μηχάνημα.
- Εάν χρειάζεται να αντικατασταθούν κάποια ανταλλακτικά, παραγγείλτε ΓΝΗΣΙΑ ανταλλακτικά από εξουσιοδοτημένους εμπόρους, ή μεταπωλητές.
- Επιστρέψτε το μηχάνημα στο Κέντρο εξυπηρέτησης εάν δεν λειτουργεί όπως συνήθως ή εάν έχει ζημιά, έχει τοποθετηθεί σε εξωτερικό χώρο, ή έχει πέσει στο νερό.
- Για να εξασφαλίσετε σωστή και ασφαλή λειτουργία του μηχανήματος, πρέπει να πραγματοποιηθεί η προγραμματισμένη συντήρηση που φαίνεται στο σχετικό κεφάλαιο του παρόντος εγχειριδίου, από το αρμόδιο προσωπικό ή εξουσιοδοτημένο Κέντρο εξυπηρέτησης.
- Το μηχάνημα πρέπει να απορριφθεί σωστά, λόγω της παρουσίας τοξικών-επιβλαβών υλικών (μπαταρίες, κλπ.), τα οποία emπίπτουν σε πρότυπα που απαιτούν απόρριψη σε ειδικά κέντρα (βλέπε κεφάλαιο <<Απόσυρση>>).
- Το μηχάνημα αυτό αποτελεί μόνο εργαλείο καθαρισμού, και δεν προορίζεται για οποιαδήποτε άλλη χρήση.
- Να καθαρίζετε πάντοτε τρίχες, σκόνη, και οποιοδήποτε άλλο ξένο υλικό από τα ανοίγματα, γιατί μπορεί να μειώσουν τη ροή αέρα. Μην χρησιμοποιείτε το μηχάνημα εάν έχουν φράξει τα ανοίγματα.
- Χρησιμοποιήστε το μηχάνημα μόνο όταν υπάρχει κατάλληλος φωτισμός.
- Το μηχάνημα δεν προορίζεται για χρήση από άτομα (συμπεριλαμβανομένων παιδιών) με μειωμένες σωματικές, αισθητήριες ή διανοητικές ικανότητες ή έλλειψη εμπειρίας και γνώσης.
- Ιδιαίτερη προσοχή απαιτείται όταν χρησιμοποιείται κοντά σε παιδιά.
- Τα παιδιά πρέπει να επιτηρούνται ώστε να μην παίζουν με το μηχάνημα.
- Όταν χρησιμοποιείτε αυτό το μηχάνημα, προσέξτε να μην προκληθεί ζημιά σε ανθρώπους ή αντικείμενα.
- Δεν θα πραγματοποιείται καθαρισμός και συντήρηση από παιδιά χωρίς επίβλεψη.

ΠΕΡΙΓΡΑΦΗ ΤΟΥ ΜΗΧΑΝΗΜΑΤΟΣ ΔΟΜΗ ΜΗΧΑΝΗΜΑΤΟΣ (όπως φαίνεται στο σχήμα 1)

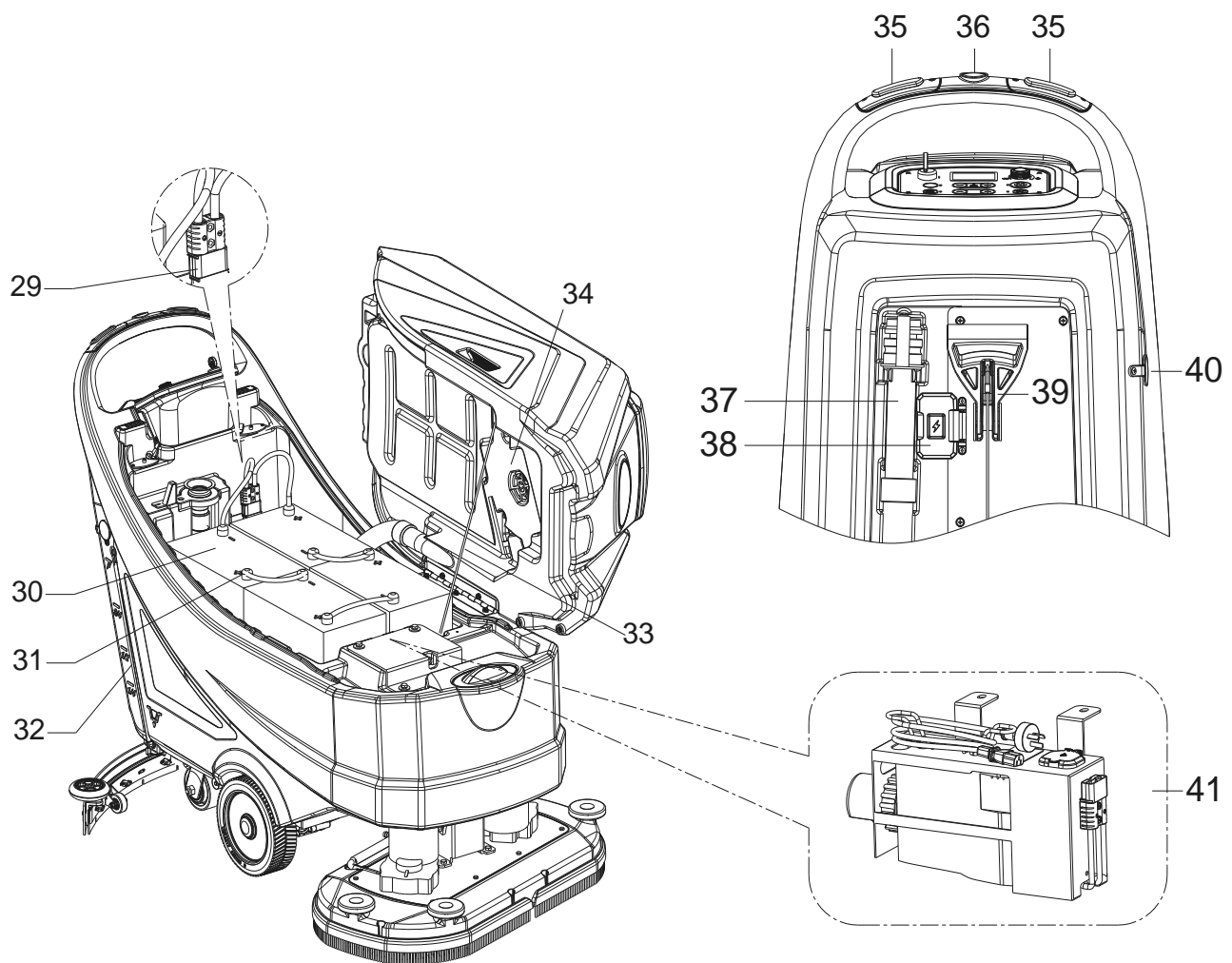
1. Καπάκι κάδου ακάθαρτου υγρού
2. Θήκη κυπέλλου
3. Τιμόνι
4. Πίνακας ελέγχου
5. Κουτί ελέγχου
6. Πινακίδα σειριακού αριθμού / Τεχνικά δεδομένα
7. Κάλυμμα εξόδου
8. Χερούλια του μάκτρο
9. Σωλήνας αναρρόφησης μάκτρο
10. Λαβή ρύθμισης ισορροπίας του μάκτρο
11. Μάκτρο
12. Φίλτρο διαλύματος καθαρισμού
13. Τροχοί οδήγησης
14. Κάδος διαλύματος καθαρισμού
15. Άρθρωση
16. Κάδος ακάθαρτου υγρού
17. Κάλυμμα φίλτρου
18. Στήριγμα σωλήνα πλήρωσης
19. Στήριξη φίλτρου
20. Στεγανοποιητικά λάστιχα καλύμματος κάδου
21. Κουτί συλλογής ακαθαρσιών
22. Φίλτρο μπάλας επίπλευσης (φλοτέρ)
23. Βρύση καθαριστικού υγρού/καθαρού νερού
24. Πίσω τροχοί οδήγησης
25. Σύστημα βούρτσας (μόνο για μηχανήμα δίσκου)
26. Προστατευτικό πιτσιλίσματος
27. Λαβή ρύθμισης κεφαλής ελλειψοειδούς κίνησης
28. Σύστημα ελλειψοειδούς κίνησης (μόνο για μηχανήμα ελλειψοειδούς κίνησης)



Σχήμα 1

ΔΟΜΗ ΜΗΧΑΝΗΜΑΤΟΣ (όπως φαίνεται στο σχήμα 2)

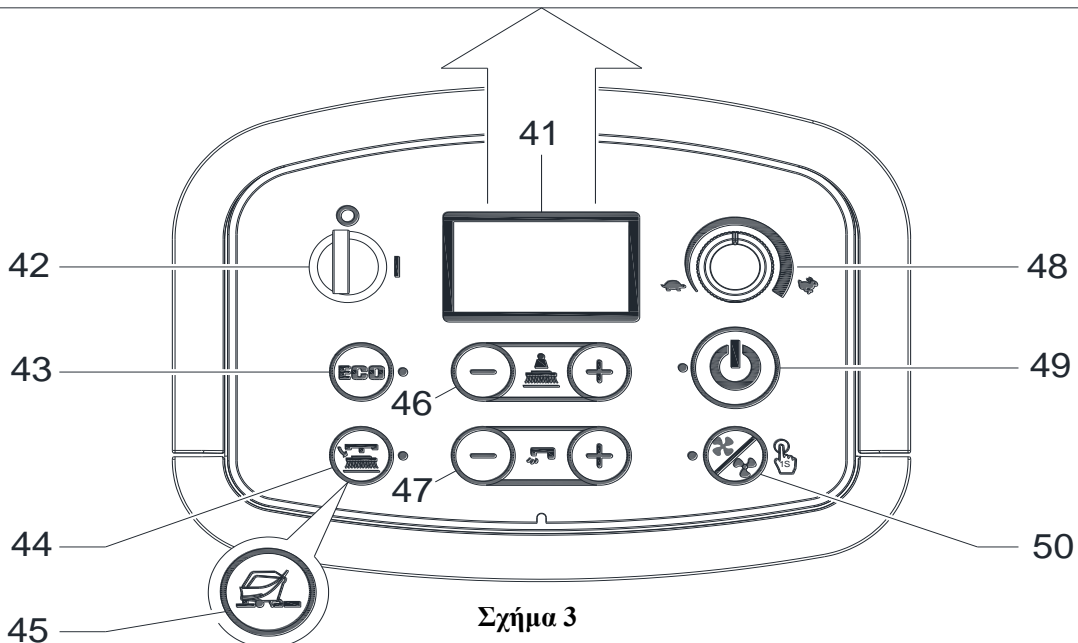
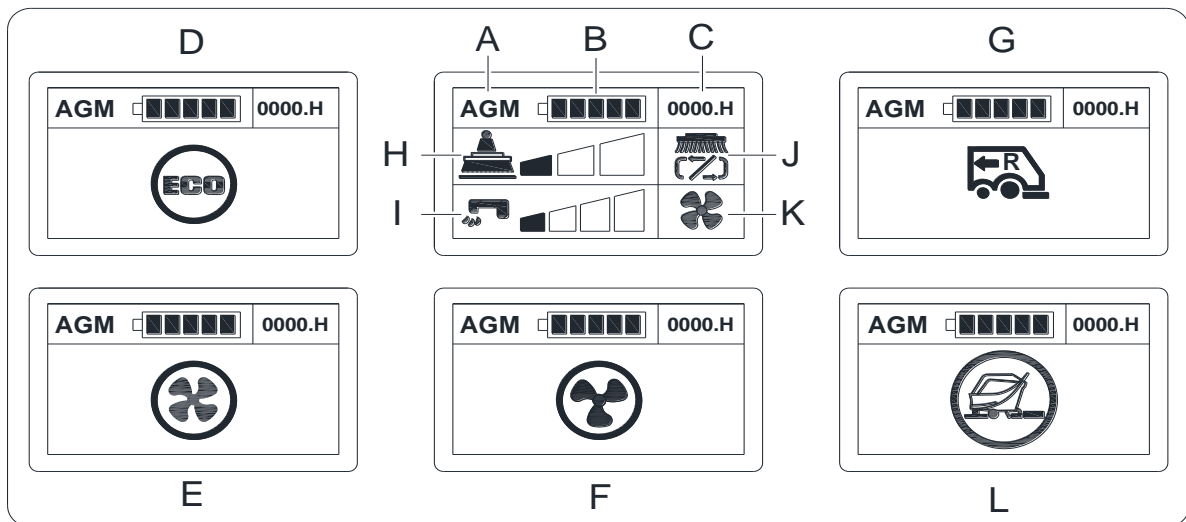
- | | |
|------------------------------------|--|
| 29. Βύσμα της μπαταρίας (κόκκινο) | 36. Διακόπτης όπισθεν μηχανήματος |
| 30. Μπαταρίες (*) | 37. Σωλήνας αποστράγγισης κάδου ακάθαρτου υγρού |
| 31. Καλύμματα της μπαταρίας | 38. Κάλυμμα ασφαλείας της υποδοχής φόρτισης |
| 32. Σωλήνας ένδειξης στάθμης νερού | 39. Μοχλός ανύψωσης/κατεβάσματος μάκτρο |
| 33. Καλώδιο ασφαλείας του κάδου | 40. Κάλυμμα πλευρικής πλήρωσης κάδου διαλύματος καθαρισμού |
| 34. Σύστημα αναρρόφησης | 41. Ενσωματωμένος φορτιστής (*) |
| 35. Διακόπτης ασφαλείας | (*): Προαιρετικά |



Σχήμα 2

ΠΙΝΑΚΑΣ ΕΛΕΓΧΟΥ (όπως φαίνεται στο σχήμα 3)

41. Οθόνη προβολής πολλαπλών λειτουργιών
 Προβαλλόμενα στοιχεία:
 A) Τύπος μπαταρίας
 B) Στάθμη φόρτισης μπαταρίας
 C) Ωρες λειτουργίας
 D) Λειτουργία ECO
 E) Κανονική λειτουργία αναρρόφησης
 F) Αθόρυβη λειτουργία αναρρόφησης
 G) Λειτουργία όπισθεν
 H) Ενεργή πρόσθετη πίεση
 I) Ποσότητα ροής καθαριστικού διαλύματος
 J) Λειτουργία βούρτσας
 K) Λειτουργία αναρρόφησης
 L) Λειτουργία προετοιμασίας πατώματος
42. Κλειδί μίζας (0 - 1)
43. Πλήκτρο λειτουργίας ECO
 • Λυχνία LED αναμμένη - παρακάτω λειτουργία ενεργοποιημένη
 • ελάχιστη ροή νερού (επίπεδο 1)
 • ελάχιστη πίεση (επίπεδο 1)
 • Αναρρόφηση σε αθόρυβη λειτουργία
44. Πλήκτρο απασφάλισης βούρτσας/βάσης δίσκου (μόνο για μηχάνημα δίσκου)
 • Λυχνία LED που αναβοσβήνει - Ενεργοποιημένο σύστημα απασφάλισης
45. Πλήκτρο προετοιμασίας πατώματος (μόνο για μηχάνημα ελλειψοειδούς κίνησης)
 Ταχύτητα κίνησης προ-ρυθμισμένη στο 1km/h
 • Λυχνία LED αναμμένη - παρακάτω λειτουργία ενεργοποιημένη
 • ελάχιστη ροή νερού (επίπεδο 1)
 • μέγιστη πίεση (επίπεδο 3)
 • Αναρρόφηση σε κανονική λειτουργία
46. Πλήκτρο ρύθμισης πίεσης βούρτσας
47. Πλήκτρο ρύθμισης ροής καθαριστικού διαλύματος
48. Ρυθμιστής ταχύτητας
49. Εκκίνηση με ένα πλήκτρο
 • Λυχνία LED αναμμένη - παρακάτω λειτουργία ενεργοποιημένη
 • ελάχιστο σύστημα νερού (επίπεδο 1)
 • ελάχιστη πίεση (επίπεδο 1)
 • κανονικό σύστημα αναρρόφησης
50. Πλήκτρο ρύθμισης συστήματος αναρρόφησης (για ενεργοποίηση, πατήστε το πλήκτρο για 1 δευτερόλεπτο)
 • Λυχνία LED αναμμένη - κανονική λειτουργία
 • Λυχνία LED που αναβοσβήνει - Αθόρυβη λειτουργία



Σχήμα 3

ΤΕΧΝΙΚΕΣ ΠΑΡΑΜΕΤΡΟΙ

Τύπος παραμέτρου	Μονάδες	Μοντέλο		
		AS6690T	AS7690T	AS7190TO
Χωρητικότητα του κάδου διαλύματος καθαρισμού	L / Gal	85 L / 22 Gal.		
Χωρητικότητα του κάδου ακάθαρτου υγρού	L / Gal	90 L / 24 Gal.		
Μήκος μηχανήματος	mm/Inches	1490 mm/ 59 Inches	1550mm/ 61 Inches	1490 mm/ 59 Inches
Πλάτος μηχανήματος με μάκτρο	mm/Inches	830 mm / 33 Inches	950 mm / 38 Inches	
Πλάτος μηχανήματος χωρίς μάκτρο	mm/Inches	730 mm/29 Inches	830mm/33 Inches	750mm/30 Inches
Ύψος μηχανήματος	mm/Inches	1020 mm/40,2 Inches		
Πλάτος εργασίας	mm/Inches	660 mm/26 Inches	760 mm/30 Inches	710 mm/28 Inches
Διάμετρος τροχού κίνησης	mm/Inches	230 mm/9 Inches		
Πίεση τροχού κίνησης στο πάτωμα	N/mm ²	0,67 N/mm ²		
Διάμετρος πίσω τροχού	mm/Inches	101 mm/4 Inches		
Πίεση πίσω τροχού στο πάτωμα	N/mm ²	0,82 N/mm ²		
Διάμετρος βούρτσας/δίσκου	mm/Inches	330 mm x 2 / 13 Inches x 2	380mm x 2 / 15 Inches x 2	355x710 mm / 14x28 Inches
Πίεση βούρτσας/δίσκου (μέγ.)	Kg/Lbs.	32 Kg /71 Lbs 41 Kg /90 Lbs 49 Kg /108 Lbs	35 Kg /77 Lbs 43 Kg /95 Lbs 51 Kg /112 Lbs	42 Kg / 93 Lbs 54 Kg / 120 Lbs 65 Kg / 143 Lbs
Ροή καθαριστικού διαλύματος (μέγ.) ανά ρύθμιση	L / Gal ανά λεπτό	(0,9/1,5/2,2/3) L (0,24/0,39/0,58/0,79) Gal		(0,6/1,1/1,9/2,5) L (0,16/0,29/0,5/0,66) Gal
Στάθμη ηχητικής πίεσης	dB (A)	69 ± 3 dB (A)		
Στάθμη ηχητικής πίεσης σε λειτουργία ECO ή σε αθόρυβη λειτουργία	dB (A)	65 ± 3 dB (A)		
Επίπεδο κραδασμών λαβής (μέγ.)	m/s ²	< 2,5 m/s ²		
Αναρριγητική ικανότητα (μέγ.)	% κλίση	2%		
Ελάχ. στροφή διαδρόμου	cm/Inches	155cm/61 Inches	165 cm/65 Inches	160 cm/63 Inches
Ισχύς του κινητήρα κίνησης	Watt / H.P.	250 W / 0,33 HP		350 W / 0,47 HP
Ταχύτητα εργασίας	Km / mph	0 - 4,0 Km / 0 - 2,5 mph		0 - 3, 2 Km / 0 - 2,0 mph
Εμπρόσθια ταχύτητα	Km / mph	0 - 4,0 Km / 0 - 2,5 mph		
Ταχύτητα όπισθεν	Km / mph	0 - 2,0 Km / 0 - 1,25 mph		
Ισχύς κινητήρα αναρρόφησης	Watt / H.P.	500 W / 0,66 HP		
Ικανότητα αναρρόφησης	mm/In H ₂ O	1500 mm/ 60 In H ₂ O		
Ικανότητα αναρρόφησης σε λειτουργία ECO ή σε αθόρυβη λειτουργία	mm/In H ₂ O	900 mm/ 35 In H ₂ O		
Ισχύς κινητήρα βούρτσας	Watt / H.P.	500 x 2 Watt / 0,66 x 2 HP	750 Watt / 1,0 HP	
Ταχύτητα βούρτσας σε κανονική λειτουργία	RPM	200 RPM		2200 RPM
Ταχύτητα βούρτσας σε λειτουργία ECO	RPM	160 RPM		1600 RPM
Τάξη προστασίας IP	IP	IP24		
Μέγεθος του χώρου μπαταρίας με εξωτερικό φορτιστή (M x Π x Y)	mm/Inches	(620 x 385 x 390) mm / 24,4 x 15,1 x 15,3 Inches		
Μέγεθος του χώρου μπαταρίας με ενσωματωμένο φορτιστή (M x Π x Y) (*)	mm/Inches	(535 x 385 x 390) mm / 21 x 15,1 x 15,3 Inches		
Τάση	DC	24 V		
Μπαταρίες (*)	Ah	M/Δ		
Χρόνος λειτουργίας μπαταρίας (τυπικές μπαταρίες) (*)	Ωρα	Έως και 4 ώρες		
Ενσωματωμένος φορτιστής (*)	Volt/Amp	24V 25A		
Απόδοση (μέγ.)	m ² /h	2640 m ² /h	3040 m ² /h	2272 m ² /h
Βάρος μηχανήματος με άδειους κάδους (χωρίς μπαταρίες)	Kg/Lbs.	135 Kg / 298 Lbs.	138 Kg / 304 Lbs.	148 Kg / 326 Lbs.
Μικτό βάρος οχήματος	Kg/Lbs.	347 Kg / 765 Lbs.	350 Kg / 772 Lbs.	360 Kg / 794 Lbs.
Βάρος αποστολής	Kg/Lbs.	202 Kg / 444 Lbs.	205 Kg / 451 Lbs.	215 Kg / 473 Lbs.
Διαστάσεις συσκευασίας (M x B x Y)	mm/Inches	(1620 x 810 x 1200 mm) / (64 x 32 x 48 Inches)	(1660 x 910 x 1200 mm) / (66 x 36 x 48 Inches)	

(*) Προαιρετικά

ΟΔΗΓΙΕΣ ΧΡΗΣΗΣ

**ΠΡΟΕΙΔΟΠΟΙΗΣΗ!**

Σε μερικά σημεία του μηχανήματος υπάρχουν αυτοκόλλητες πινακίδες που λένε:

- ΚΙΝΔΥΝΟΣ!
- ΠΡΟΕΙΔΟΠΟΙΗΣΗ!
- ΠΡΟΣΟΧΗ!
- ΣΥΜΒΟΥΛΕΥΣΗ

Κατά την ανάγνωση αυτού του εγχειριδίου, ο χειριστής πρέπει να προσέξει ιδιαίτερα τα σύμβολα σε αυτές τις πινακίδες. Μην καλύπτετε αυτές τις πινακίδες για κανένα λόγο και αντικαταστήστε τις αμέσως εάν υποστούν ζημιά.

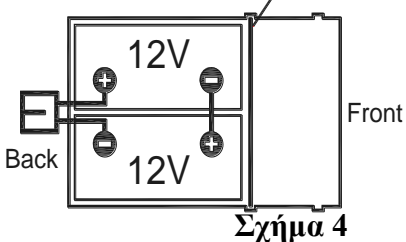
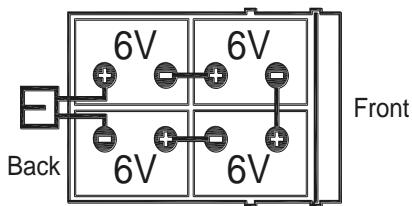
ΕΛΕΓΧΟΣ/ΡΥΘΜΙΣΗ ΜΠΑΤΑΡΙΑΣ ΣΕ ΚΑΙΝΟΥΡΙΟ ΜΗΧΑΝΗΜΑ

**ΠΡΟΕΙΔΟΠΟΙΗΣΗ!**

Τα ηλεκτρικά εξαρτήματα του μηχανήματος μπορεί να έχουν υποστεί σοβαρές ζημιές, εάν οι μπαταρίες είτε δεν έχουν εγκατασταθεί σωστά ή δεν έχουν συνδεθεί σωστά. Οι μπαταρίες θα πρέπει να εγκατασταθούν μόνο από εξειδικευμένο προσωπικό. Ρυθμίστε την ηλεκτρονική πλακέτα λειτουργίας και την ενσωματωμένη μπαταρία φορτιστή ανάλογα με τον τύπο των μπαταριών που χρησιμοποιούνται (μπαταρίες WET ή GEL/AGM). Ελέγξτε τις μπαταρίες για τυχόν ζημιές πριν τις τοποθετήσετε. Αποσυνδέστε το βύσμα της μπαταρίας και το βύσμα του φορτιστή μπαταρίας. Χειριστείτε τις μπαταρίες με μεγάλη προσοχή. Τοποθετήστε τα καλύμματα προστασίας των πόλων της μπαταρίας που συνοδεύουν το μηχάνημα.

Μπαταρίες ήδη εγκατεστημένες στο μηχάνημα

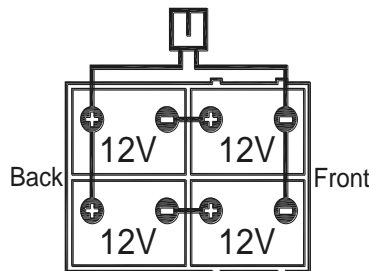
1. Βεβαιωθείτε ότι το βύσμα της μπαταρίας (29, Εικ. 2) έχει συνδεθεί.
2. Όταν χρησιμοποιείτε το μηχάνημα για πρώτη φορά με καινούριες μπαταρίες, πραγματοποιήστε έναν πλήρη κύκλο φόρτισης (δείτε τη διαδικασία στο κεφάλαιο <<Συντήρηση>>).



Σχήμα 4

**ΣΗΜΕΙΩΣΗ**

Το μηχάνημα χρειάζεται δύο μπαταρίες 12V ή τέσσερις μπαταρίες 6V, που να έχουν τοποθετηθεί σύμφωνα με το διάγραμμα (Εικ 4). Τοποθετήστε σωστά την πλάκα σταθεροποίησης μπαταριών (Εικ. 4).

**Χωρίς μπαταρίες**

1. Προμηθευτείτε κατάλληλες μπαταρίες (Δείτε την παράγραφο <<Τεχνικά χαρακτηριστικά>>). Για επιλογή και τοποθέτηση της μπαταρίας, επιλέξτε ειδικούς λιανοπωλητές μπαταριών.
2. Ρυθμίστε το μηχάνημα ανάλογα με τον τύπο εγκατεστημένων μπαταριών, όπως φαίνεται στη βασική ενότητα <<Υπερχρήστης>> του κεφαλαίου <<Συντήρηση>>.

ΕΓΚΑΤΑΣΤΑΣΗ ΜΠΑΤΑΡΙΑΣ ΚΑΙ ΡΥΘΜΙΣΗ ΤΥΠΟΥ ΜΠΑΤΑΡΙΑΣ (WET OR GEL/AGM OR DIS OR ENES)

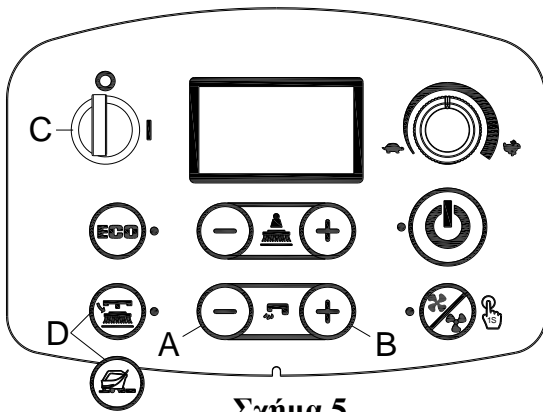
Εγκατάσταση της μπαταρίας

1. Ανοίξτε το καπάκι κάδου ακάθαρτου υγρού (1, Εικ. 1) και ελέγξτε ότι ο κάδος ακάθαρτου υγρού (16) είναι άδειος, αλλιώς αδειάστε τον με τον σωλήνα αποστράγγισης. (37, Εικ. 2)
2. Κλείστε το καπάκι του κάδου ακάθαρτου υγρού (1, Εικ. 1).
3. Ανυψώστε προσεκτικά τον κάδο ακάθαρτου υγρού (16, Εικ. 1)
4. Το μηχάνημα παρέχεται με καλώδια κατάλληλα για την εγκατάσταση δύο μπαταριών 12V ή τεσσάρων μπαταριών 6V. Τοποθετήστε προσεκτικά τις μπαταρίες μέσα στη θήκη, και στη συνέχεια εγκαταστήστε τις σωστά. Τοποθετήστε σωστά την πλάκα σταθεροποίησης μπαταριών (Εικ. 4).
5. Περάστε το καλώδιο της μπαταρίας και εγκαταστήστε το όπως φαίνεται στην (Εικόνα 4) και, στη συνέχεια, σφίξτε προσεκτικά το παξιμάδι σε κάθε πόλο της μπαταρίας.
6. Τοποθετήστε το προστατευτικό κάλυμμα σε κάθε πόλο και, στη συνέχεια, συνδέστε το βύσμα της μπαταρίας (29, Εικ. 2).
7. Κατεβάστε προσεκτικά το καπάκι του κάδου ακάθαρτου υγρού (16, Εικ. 1).

Ρύθμιση τύπου μπαταρίας (WET OR GEL/AGM OR DIS OR ENES)

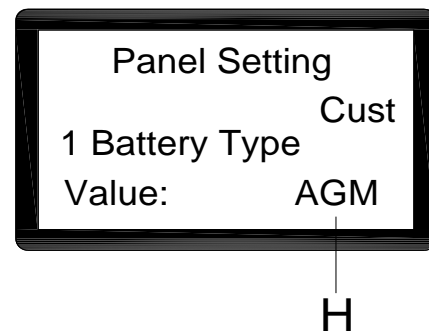
Πρόσβαση στην επιλογή λειτουργίας μπαταρίας

Σύμφωνα με τον τύπο μπαταριών (WET ή GEL/AGM), ρυθμίστε το μηχάνημα ως εξής:



Σχήμα 5

Access to select battery mode



Σχήμα 6

1. Πατήστε το πλήκτρο ροής νερού «+» (A, Εικ. 5) και «-» (B, Εικ. 5) ταυτόχρονα.
2. Εισαγάγετε το κλειδί μίξας (C, Εικ. 5) και γυρίστε το στη θέση «I».
3. Μετά από αρκετά δευτερόλεπτα, μεταβείτε στην οθόνη επιλογής λειτουργίας μπαταρίας (Εικ. 6)
4. Πατήστε το πλήκτρο ροής νερού «-» (A, Εικ. 5) και «+» (B, Εικ. 5) για να επιλέξετε λειτουργία μπαταρίας (H, Εικ. 6)
5. Πατήστε το κουμπί απελευθέρωσης για την έκδοση δίσκου ή το κουμπί προετοιμασίας διαπέδου για την έκδοση τροχιάς (D, σχήμα 5). Μετά από 3 δευτερόλεπτα, εμφανίζεται η ένδειξη «Update OK», που υποδεικνύει ότι η ρύθμιση ήταν επιτυχής. Ενεργοποιήστε για επανεκκίνηση. (C, Εικ. 5)

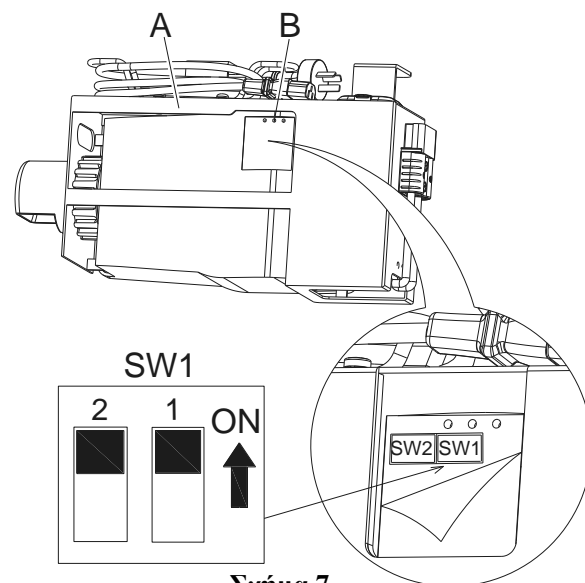
Ρύθμιση φορτιστή μπαταρίας (μόνο αν έχει εγκατασταθεί ενσωματωμένος φορτιστής)



ΠΡΟΕΙΔΟΠΟΙΗΣΗ!

Μην ρυθμίζετε τον φορτιστή αν δεν διαθέτετε επαγγελματική κατάρτιση

1. Απενεργοποιήστε το μηχάνημα και αποσυναρμολογήστε τον ενσωματωμένο φορτιστή (A, Εικ. 7) από το μηχάνημα. Ανοίξτε την ετικέτα στο κάλυμμα του φορτιστή (B, Εικ. 7) και θα βρείτε δύο σετ διακοπών τύπου Dip-Switch (SW1 και SW2) εντός του φορτιστή.
2. Μόνο το σετ διακοπών τύπου Dip-Switch SW1 (στην αριστερή πλευρά) έχει επίδραση στην επιλογή καμπύλης φόρτισης, σύμφωνα με τον παρακάτω πίνακα.



Σχήμα 7

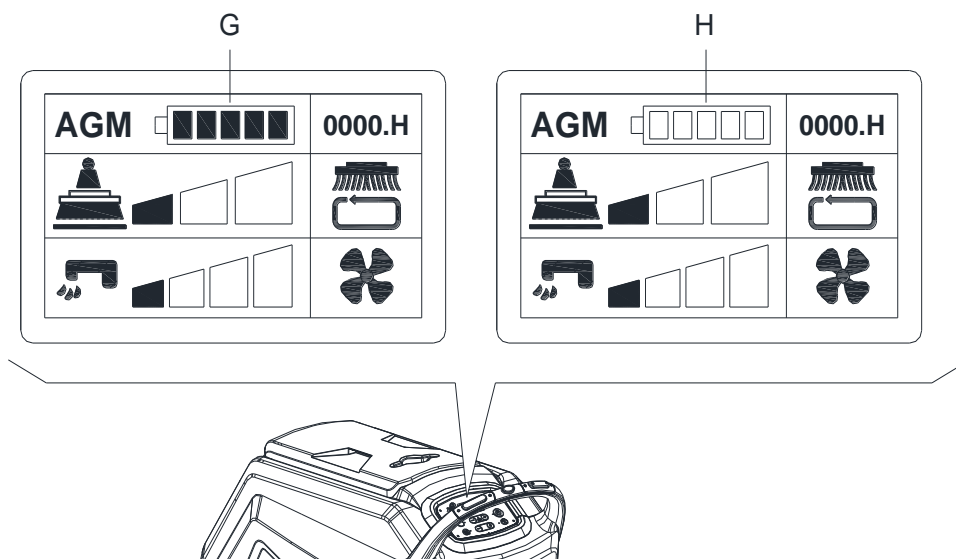
DP1	DP2	ΚΑΜΠΥΛΗ ΦΟΡΤΙΣΗΣ
Ενεργοποίηση	Απενεργοποίηση	IUIa-ACD για μπαταρίες μολύβδου-οξέος (Wet)
Απενεργοποίηση	Απενεργοποίηση	IUIa-GEL για μπαταρίες Gel της εταιρείας Exide-Sonnenschein
Απενεργοποίηση	Ενεργοποίηση	IUU0-GEL για μπαταρίες HAZE Gel και AGM άλλων κατασκευαστών
Ενεργοποίηση	Ενεργοποίηση	IUIUa-AGM για μπαταρίες Discover AGM

Φόρτιση μπαταρίας

Φορτίστε πλήρως τις μπαταρίες (δείτε τη διαδικασία στο κεφάλαιο <<Συντήρηση>>).

Αποφόρτιση μπαταρίας

Όταν το σχήμα των μπαταριών είναι πλήρες (G, Εικόνα 8), οι μπαταρίες επιτρέπουν στο μηχάνημα να λειτουργεί κανονικά. Όταν το σχήμα των μπαταριών είναι χαμηλό (H, Εικόνα 8), οι μπαταρίες θα πρέπει να φορτιστούν. Λίγα δευτερόλεπτα μετά την εμφάνιση του σχήματος χαμηλής μπαταρίας, το στήριγμα βούρτσας/βάσης δίσκου απενεργοποιείται αυτόματα, ενώ το σύστημα κίνησης παραμένει ενεργοποιημένο. Μετακινήστε το μηχάνημα στον καθορισμένο χώρο φόρτισης άμεσα.



Σχήμα 8



ΠΡΟΣΟΧΗ!

Όταν οι μπαταρίες έχουν αποφορτιστεί, φορτίστε τις το συντομότερο δυνατό, καθώς η κατάσταση αυτή μειώνει τη διάρκεια ζωής τους. Ελέγξτε τη φόρτιση της μπαταρίας τουλάχιστον μία φορά την εβδομάδα.

ΕΓΚΑΤΑΣΤΑΣΗ ΚΑΙ ΑΦΑΙΡΕΣΗ ΜΗΧΑΝΙΣΜΟΥ ΣΤΗΡΙΞΗΣ ΒΟΥΡΤΣΑΣ/ΔΙΣΚΟΥ (μόνο για μηχανήματα δίσκου)**ΣΗΜΕΙΩΣΗ**

Εγκαταστήστε είτε τη βούρτσα (Α, Εικ. 9) ή τη βάση δίσκου (Β και Γ, Εικ. 9) σύμφωνα με τον τύπο του δαπέδου που πρόκειται να καθαριστεί.

**ΠΡΟΣΟΧΗ!**

Πριν εγκαταστήσετε ή αφαιρέσετε το μηχανισμό στήριξης βούρτσας/δίσκου, βεβαιωθείτε ότι όλοι οι διακόπτες που βρίσκονται πάνω στο μηχανήμα έχουν απενεργοποιηθεί και ανασηκώστε το μάκτρο από το πάτωμα. Ο χειριστής πρέπει να έχει τις ανάλογες προστατευτικές συσκευές προσωπικού, όπως, π.χ., γάντια, για περιορισμό του κινδύνου ατυχημάτων.

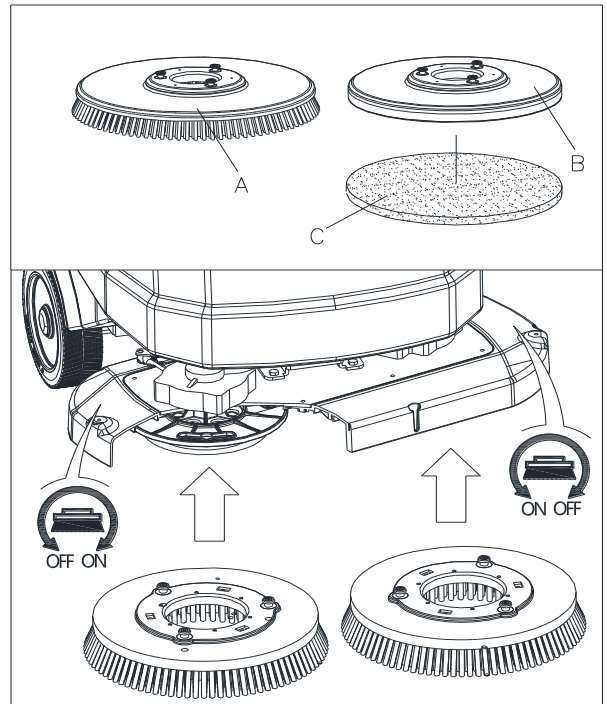
Ενεργήστε ως εξής:

ΕΓΚΑΤΑΣΤΑΣΗ:

1. Τοποθετήστε το κλειδί της μίζας (42, Εικόνα 3) και γυρίστε το στη θέση <<I>>. Ανοψώστε την πλατφόρμα. Απενεργοποιήστε το μηχανήμα αφαιρώντας το κλειδί της μίζας (42).
2. Γυρίστε στο ρελαντί τον ρυθμιστή ταχύτητας (48), περιστρέφοντάς τον αριστερόστροφα.
3. Τοποθετήστε τις βούρτσες (Α, Εικόνα 9) ή τη βάση δίσκου (Β) κάτω από την πλατφόρμα.
4. Χρησιμοποιήστε τη χειροκίνητη μέθοδο, περιστρέφοντας τον μηχανισμό στήριξης βούρτσας/δίσκου προς την αντίθετη διεύθυνση από την κανονική διεύθυνση περιστροφής, ώστε να εγκατασταθεί. (όπως φαίνεται στην Εικόνα 9)

ΑΦΑΙΡΕΣΗ:

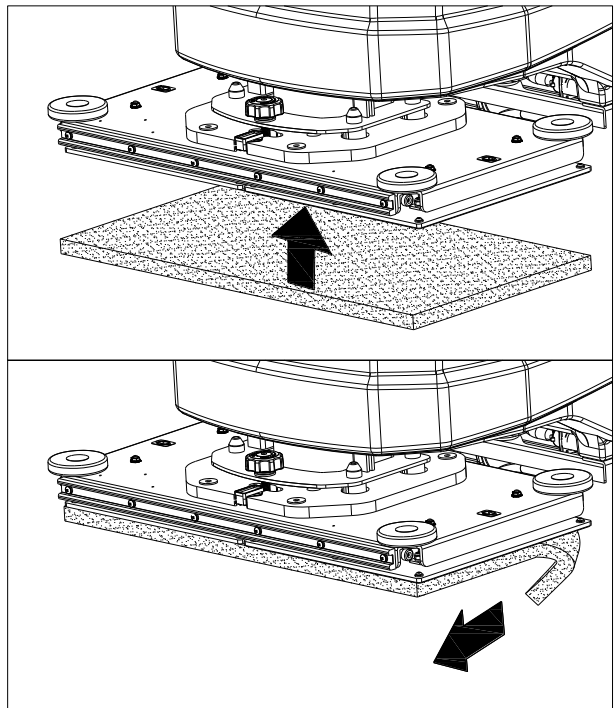
1. Τοποθετήστε το κλειδί της μίζας (42, Εικόνα 3) και γυρίστε το στη θέση <<I>>. Για να αφαιρέσετε το μηχανισμό στήριξης βούρτσας/δίσκου, σηκώστε την πλατφόρμα πατώντας το πλήκτρο απασφάλισης του μηχανισμού στήριξης βούρτσας/δίσκου (44) και ο μηχανισμός στήριξης βούρτσας/δίσκου θα απασφαλιστεί αυτόματα.



Εικόνα 9

ΕΓΚΑΤΑΣΤΑΣΗ ΚΑΙ ΑΦΑΙΡΕΣΗ ΔΙΣΚΟΥ (μόνο για μηχανήματα ελλειψοειδούς κίνησης)

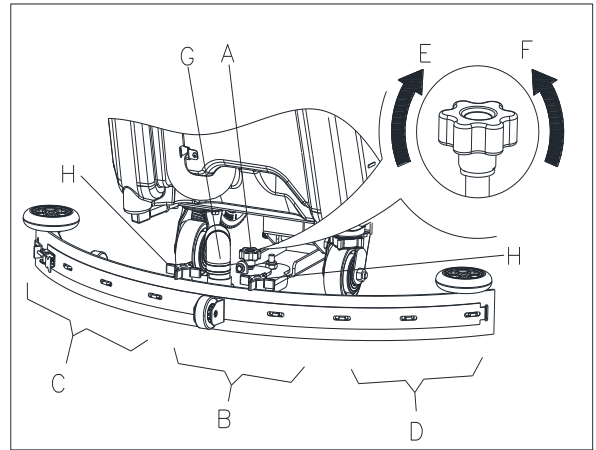
1. Τοποθετήστε το κλειδί της μίζας (42, Εικόνα 3) και γυρίστε το στη θέση <<I>>. Ανοψώστε την πλατφόρμα. Απενεργοποιήστε το μηχανήμα αφαιρώντας το κλειδί της μίζας.
2. Χρησιμοποιήστε τη χειροκίνητη μέθοδο για να εγκαταστήσετε ή να αφαιρέσετε τον δίσκο όπως στην (Εικόνα 10)



Σχήμα 10

ΡΥΘΜΙΣΗ ΙΣΟΡΡΟΠΙΑΣ ΤΟΥ ΜΑΚΤΡΟΥ

1. Τοποθετήστε το μάκτρο και βιδώστε τα παξιμάδια (H, Εικόνα 11) και, στη συνέχεια, συνδέστε τον σωλήνα αναρρόφησης (G) στο μάκτρο.
2. Ρυθμίστε το μάκτρο ρυθμίζοντας τη λαβή του (A, Εικόνα 11).
 - a) Εάν υπάρχει κενό μεταξύ του εδάφους και του μεσαίου τμήματος του πτερυγίου του πίσω μάκτρο (B), ρυθμίστε το διακόπτη (A) αριστερόστροφα (F) μέχρις ότου όλες οι ενότητες του πτερυγίου του πίσω μάκτρο να κάνουν καλή επαφή με το έδαφος και το μπροστινό πτερύγιο να αγγίζει ελαφρώς το έδαφος.
 - b) Εάν υπάρχει κενό μεταξύ του εδάφους και του πίσω τμήματος του πίσω πτερυγίου (C και D), ρυθμίστε το διακόπτη (A) δεξιόστροφα (E) μέχρις ότου όλες οι ενότητες του πίσω πτερυγίου να κάνουν καλή επαφή με το έδαφος και το μπροστινό πτερύγιο να αγγίζει ελαφρώς το έδαφος.



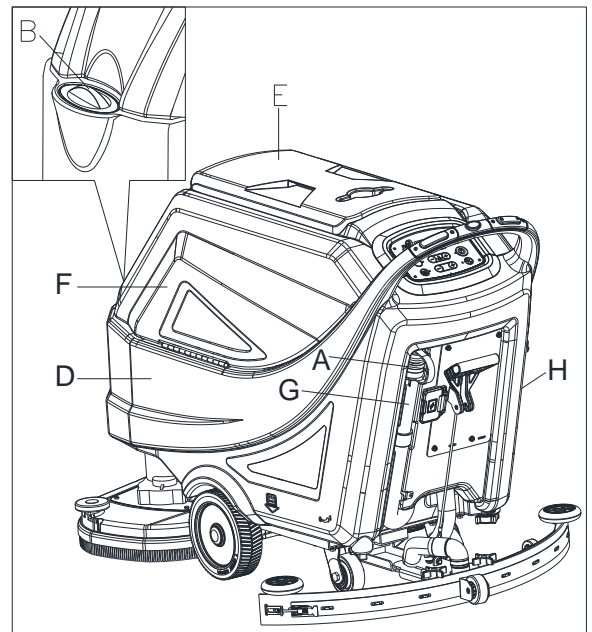
Σχήμα 11

ΚΑΔΟΣ ΔΙΑΛΥΜΑΤΟΣ ΚΑΘΑΡΙΣΜΟΥ

1. Ανοίξτε το κάλυμμα εισόδου νερού (B, Εικόνα 12).
2. Πληρώστε με νερό ή καθαριστικό διάλυμα κατάλληλο για το έργο που έχετε να κάνετε, μέσω της εισόδου νερού με φίλτρο. Η θερμοκρασία του διαλύματος δεν πρέπει να υπερβαίνει τους +104F (+40°C).
3. Μη γεμίζετε υπερβολικά τον κάδο. Δείτε την ένδειξη στάθμης νερού (H) για την ποσότητα νερού που χρειάζεται.

**ΠΡΟΕΙΔΟΠΟΙΗΣΗ!**

Χρησιμοποιείτε μόνο απορρυπαντικά με λίγο αφρό και μη εύφλεκτα, που προορίζονται για εφαρμογές αυτόματης πλυντρίδας



Σχήμα 12

ΕΚΚΙΝΗΣΗ ΚΑΙ ΤΕΡΜΑΤΙΣΜΟΣ ΤΟΥ ΜΗΧΑΝΗΜΑΤΟΣ**Εκκίνηση του μηχανήματος**

1. Προετοιμάστε το μηχανήμα, όπως φαίνεται στην προηγούμενη παράγραφο.
2. Τοποθετήστε το κλειδί της μίζας (A, Εικόνα 13) και γυρίστε το στη θέση <<I>>. Ελέγξτε την κατάσταση των μπαταριών από την οθόνη ενδείξεων. Αν απαιτείται, φορτίστε πλήρως τις μπαταρίες (δείτε τη διαδικασία στο κεφάλαιο <<Συντήρηση>>).
3. Οδηγήστε το μηχανήμα στο χώρο εργασίας:
 - Πατώντας τον διακόπτη ασφαλείας (F) για εμπρόσθια κίνηση ή πατώντας τον διακόπτη ασφαλείας (F) μαζί με τον διακόπτη όπισθεν για οπίσθια κίνηση. Η ταχύτητα προς τα εμπρός μπορεί να ρυθμιστεί με το ρυθμιστή (H).
4. Κατεβάστε το μάκτρο (I) με τη λαβή ανύψωσης/κατεβάσματος μάκτρο (J).
5. Κατεβάστε την πλατφόρμα της βούρτσας / βάσης δίσκου (K) ανασηκώνοντας το πεντάλ (L)
6. Πιέστε τους διακόπτες ελέγχου ροής διαλύματος (O) όσο χρειάζεται, ανάλογα με τον τύπο του καθαρισμού που πρέπει να εκτελεστεί.
7. Ξεκινήστε τον καθαρισμό:
 - Πατήστε τον διακόπτη ασφαλείας (F) για να ενεργοποιήσετε την κίνηση του μηχανήματος. Εάν είναι απαραίτητο, η ταχύτητα προς τα εμπρός μπορεί να ρυθμιστεί με το ρυθμιστή (H).

**ΣΗΜΕΙΩΣΗ**

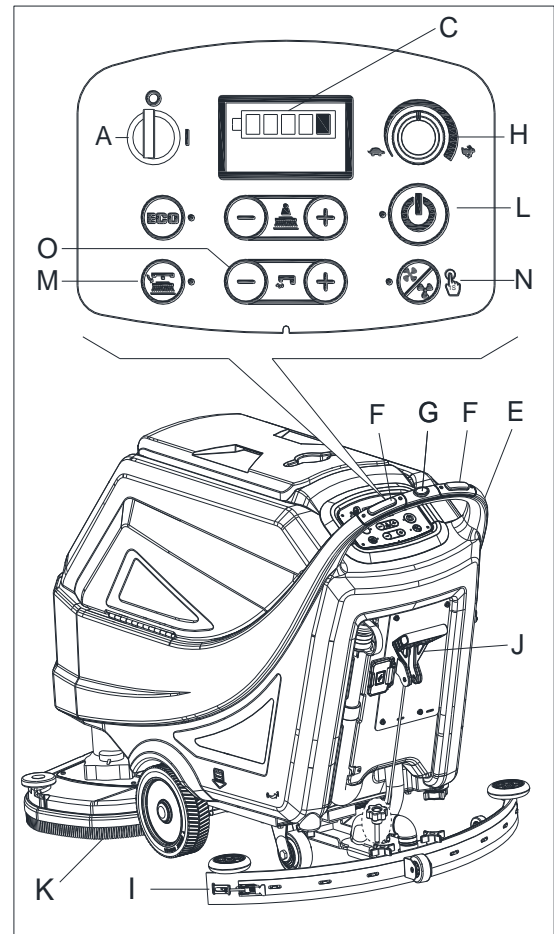
Για να μετακινήσετε το μηχάνημα προς τα εμπρός, πατήστε είτε το αριστερό ή το δεξί ασφαλείας διακόπτη (F, Εικόνα 13) ή και τους δύο.

Σταμάτημα του μηχανήματος

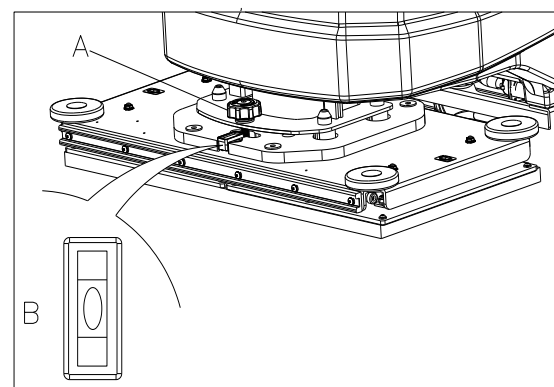
8. Σταματήστε το μηχάνημα απελευθερώνοντας τους διακόπτες ασφαλείας (F, Εικόνα 13)
9. Οι βούρτσες σταματούν. Το απορροφητικό σύστημα σταματά μετά από μερικά δευτερόλεπτα.
10. Ανυψώστε την πλατφόρμα της βούρτσας / βάσης δίσκου (K) πατώντας την εκκίνηση με ένα πλήκτρο (L).
11. Ανυψώστε το μάκτρο (I) με τη λαβή ανύψωσης/κατεβάσματος μάκτρου (J).
12. Γυρίστε το κλειδί της μίζας (A) στη θέση <<0>>.
13. Βεβαιωθείτε ότι το μηχάνημα δεν μπορεί να κινηθεί από μόνο του.

ΛΕΙΤΟΥΡΓΙΑ ΜΗΧΑΝΗΜΑΤΟΣ (ΤΡΙΨΙΜΟ ΚΑΙ ΣΤΕΓΝΩΜΑ)

1. Ξεκινήστε το μηχάνημα όπως περιγράφεται στις προηγούμενες παραγράφους.
2. Ενώ πατάτε οποιονδήποτε από τους διακόπτες ασφαλείας (35, Εικόνα 2), αρχίστε το μανουβράρισμα του μηχανήματος και ξεκινήστε το τρίψιμο/στέγνωμα του δαπέδου.
3. Εάν είναι απαραίτητο, σταματήστε το μηχάνημα και στη συνέχεια ρυθμίστε το μάκτρο σύμφωνα με την ενότητα <<Ρύθμιση ισορροπίας του μάκτρου>>.

**Σχήμα 13****ΡΥΘΜΙΣΗ ΤΟΥ ΕΠΙΠΕΔΟΥ ΤΗΣ ΠΛΑΤΦΟΡΜΑΣ ΕΛΛΕΙΨΟΕΙΔΟΥΣ ΚΙΝΗΣΗΣ (ΜΟΝΟ ΓΙΑ ΜΗΧΑΝΗΜΑ ΕΛΛΕΙΨΟΕΙΔΟΥΣ ΚΙΝΗΣΗΣ)**

1. Τοποθετήστε το κλειδί της μίζας (42) και γυρίστε το στη θέση <<I>>. Κατεβάστε την πλατφόρμα της βούρτσας / βάσης δίσκου (25) ανασηκώνοντας το πεντάλ (49)
2. Ρυθμίστε το επίπεδο της πλατφόρμας ελλειψοειδούς κίνησης (A, Εικόνα 14) έτσι ώστε η φυσαλίδα να είναι στο κέντρο (B, Εικόνα 14).

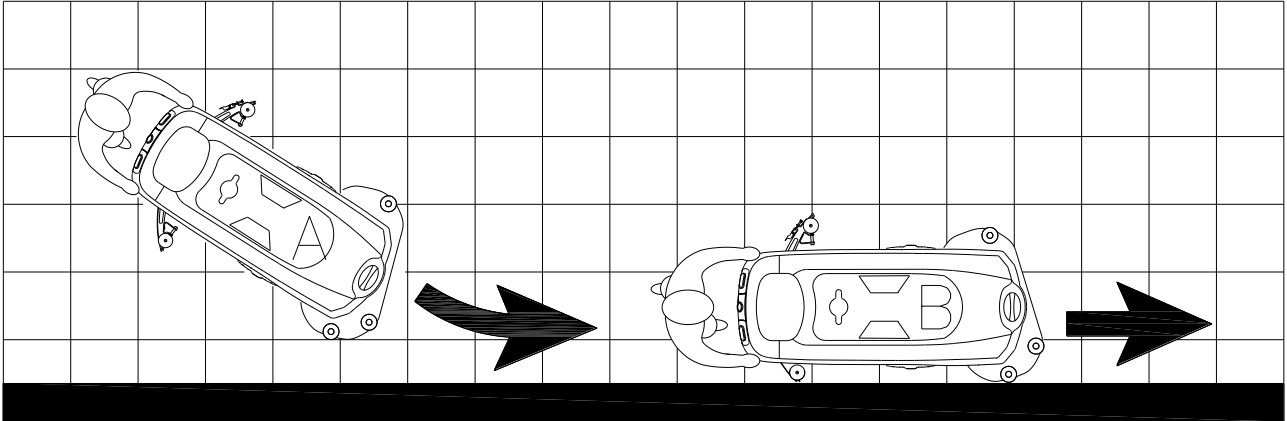
**Σχήμα 14**

**ΣΗΜΕΙΩΣΗ**

Για σωστό τρίψιμο/στέγνωμα των δαπέδων στις πλευρές των τοίχων. Συνιστάται να πλησιάζετε τους τοίχους με τη δεξιά πλευρά του μηχανήματος (Α και Β, Εικόνα 15), όπως φαίνεται στην εικόνα.

**ΠΡΟΣΟΧΗ!**

Για να αποφύγετε τυχόν ζημιά στην επιφάνεια του δαπέδου, απενεργοποιήστε τις βούρτσες / βάση δίσκων, όταν το μηχάνημα σταματάει σε ένα μέρος, ειδικά όταν είναι ενεργοποιημένη η λειτουργία επιπλέον πίεσης.



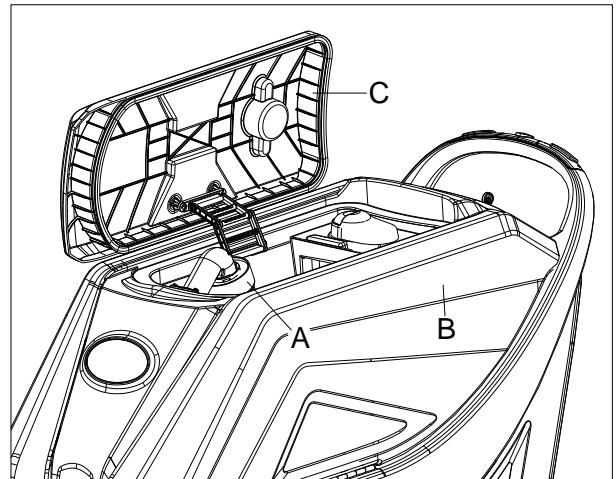
Σχήμα 15

ΑΔΕΙΑΣΜΑ ΚΑΔΟΥ

Ο αυτόματος πλωτήρας διακοπής συστήματος (Α, Εικόνα 16) φράσσει το σύστημα αναρρόφησης όταν γεμίσει ο κάδος ακάθαρτου υγρού (Β). Η απενεργοποίηση του απορροφητικού συστήματος σηματοδοτείται από μια ξαφνική αύξηση στη συχνότητα θορύβου του κινητήρα του απορροφητικού συστήματος, και το δάπεδο δεν είναι στεγνό.

**ΠΡΟΣΟΧΗ!**

Εάν απενεργοποιηθεί κατά λάθος το σύστημα αναρρόφησης (για παράδειγμα, όταν ενεργοποιηθεί ο πλωτήρας εξαιτίας μιας απότομης κίνησης του μηχανήματος), για να συνεχίσετε τη λειτουργία: απενεργοποιήστε το σύστημα αναρρόφησης πιέζοντας το διακόπτη (50, Εικόνα 3), ανοίξτε το κάλυμμα (C, Εικόνα 16) και ελέγξτε εάν ο πλωτήρας μέσα στο πλέγμα (Α) έχει κατέβει στο επίπεδο του νερού. Στη συνέχεια, κλείστε το κάλυμμα (C) και ενεργοποιήστε το σύστημα αναρρόφησης πιέζοντας το διακόπτη (50, Εικόνα 3).



Σχήμα 16

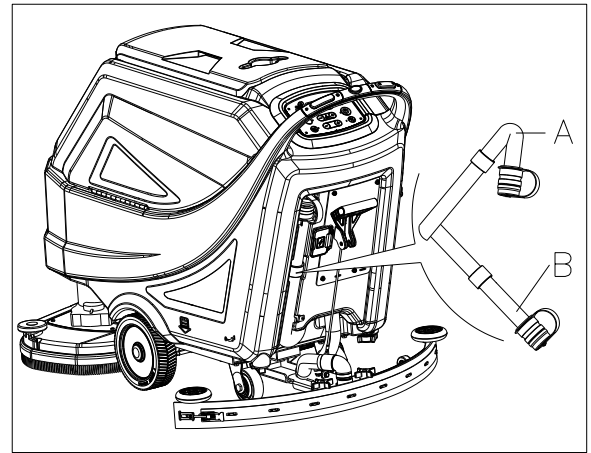
Όταν γεμίσει ο κάδος ακάθαρτου υγρού (Β, Εικόνα 16), αδειάστε τον ακολουθώντας την παρακάτω διαδικασία.

Αδειασμα του κάδου ακάθαρτου υγρού

1. Σταματήστε το μηχανήμα.
2. Ανυψώστε την πλατφόρμα της βούρτσας / βάσης δίσκου (25, Εικόνα 1) πατώντας την εκκίνηση με ένα πλήκτρο (49, Εικόνα 3) ή επανεκκινήστε το μηχανήμα με το κλειδί της μίζας (42, Εικόνα 3).
3. Ανυψώστε το μάκτρο (11, Εικόνα 1) με τη λαβή ανύψωσης/κατεβάσματος μάκτρο (39, Εικόνα 2).
4. Μετακινήστε το μηχανήμα στον καθορισμένο χώρο διάθεσης.
5. Αδειάστε τον κάδο ακάθαρτου υγρού με το σωλήνα (Α, Εικόνα 17). Στη συνέχεια, ξεπλύνετε τον κάδο (Β, Εικόνα 16) με καθαρό νερό.

**ΠΡΟΣΟΧΗ!**

Όταν αδειάζετε τα υγρά απόβλητα, ο σωλήνας αναρρόφησης αποβλήτων πρέπει να είναι διπλωμένος (Α, Εικόνα 17) και κατεβασμένος σε χαμηλότερη θέση (Β, Εικόνα 17) και μετά να ανοίξετε το καπάκι του σωλήνα αναρρόφησης αποβλήτων για να στραγγίξετε το υγρό. Μη γυρίζετε την έξοδο του σωλήνα απορρόφησης αποβλήτων προς τα πάνω για να αδειάσετε το υγρό κάθεται. Αυτό γίνεται για να αποφευχθεί το χύσιμο αποβλήτων στον χειριστή.



Σχήμα 17

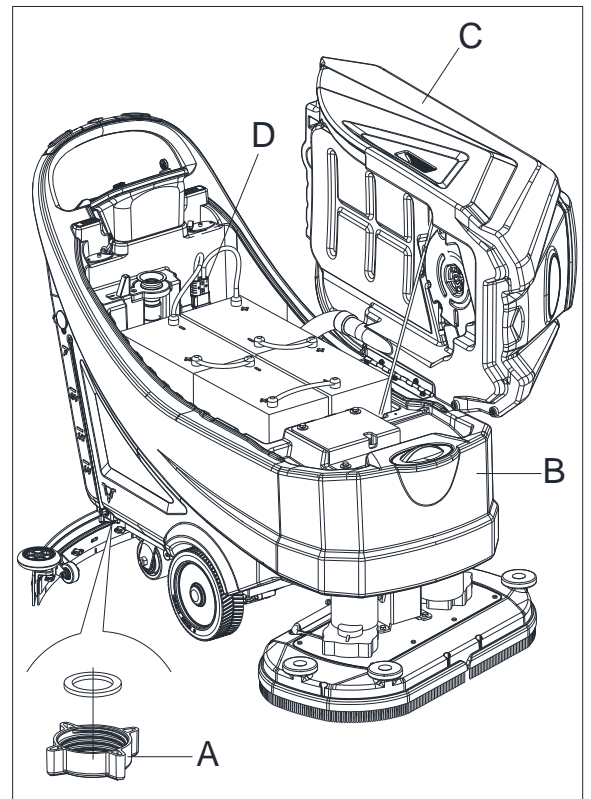
Αδειασμα του κάδου καθαριστικού διαλύματος / καθαρού νερού

1. Αδειάστε τον κάδο διαλύματος μέσα από το κάλυμμα εξόδου (Α, Εικόνα 18). Μετά το τέλος της εργασίας, ξεπλύνετε τον κάδο με καθαρό νερό.

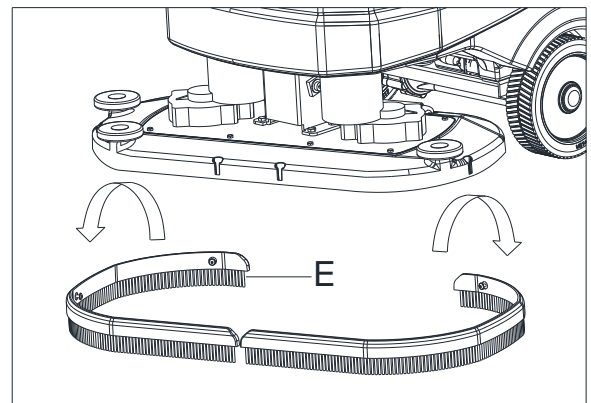
ΜΕΤΑ ΑΠΟ ΤΗ ΧΡΗΣΗ ΤΟΥ ΜΗΧΑΝΗΜΑΤΟΣ

Μετά τη λειτουργία του μηχανήματος, και πριν το αφήσετε:

1. Αφαιρέστε τις βούρτσες / βάσεις δίσκων πατώντας το πλήκτρο απασφάλισης (44, Εικόνα 3) και στη συνέχεια καθαρίστε τα (μόνο για μηχανήμα δίσκου).
2. Αφαιρέστε το προστατευτικό πιτσουλίσματος (Ε, Εικόνα 19) και καθαρίστε το. (μόνο για μηχανήμα δίσκου)
3. Αφαιρέστε τον δίσκο και καθαρίστε τον. (μόνο για μηχανήμα ελλειψοειδούς κίνησης)
4. Αδειάστε τους κάδους (Β και C, Εικόνα 18), όπως φαίνεται στην προηγούμενη παράγραφο.
5. Εκτελέστε τις καθημερινές διαδικασίες συντήρησης (βλ. κεφάλαιο Συντήρηση).
6. Φυλάξτε το μηχανήμα σε καθαρό και στεγνό μέρος, με τη βούρτσα/βάση δίσκου και το μάκτρο ανασηκωμένα ή βγαλμένα.



Σχήμα 18



Σχήμα 19

ΑΠΟΘΗΚΕΥΣΗ ΜΗΧΑΝΗΜΑΤΟΣ ΚΑΤΑ ΤΗ ΔΙΑΡΚΕΙΑ ΜΑΚΡΟΧΡΟΝΙΑΣ ΑΔΡΑΝΕΙΑΣ

Εάν δεν πρόκειται να χρησιμοποιηθεί το μηχάνημα για πάνω από 30 ημέρες, συνεχίστε ως εξής:

1. Εκτελέστε τις διαδικασίες που περιγράφονται στην παράγραφο <<Μετά από τη χρήση του μηχανήματος>>.
2. Αποσυνδέστε το βύσμα της μπαταρίας (29, Εικόνα 2).

ΠΡΩΤΗ ΠΕΡΙΟΔΟΣ ΧΡΗΣΗΣ

Μετά τις πρώτες 8 ώρες, ελέγξτε τα στερεωτικά και συνδετικά μέρη του μηχανήματος εάν είναι σφιγμένα σωστά και ελέγξτε τα ορατά μέρη για φθορά και διαρροές.

ΣΥΝΤΗΡΗΣΗ**ΠΡΟΕΙΔΟΠΟΙΗΣΗ!**

Οι διαδικασίες συντήρησης πρέπει να εκτελούνται αφού απενεργοποιηθεί το μηχάνημα και αποσυνδεθεί το καλώδιο του φορτιστή μπαταρίας. Επιπλέον, διαβάστε προσεκτικά στο εγχειρίδιο τα κεφάλαια ασφαλείας.

Όλες οι προγραμματισμένες ή έκτακτες διαδικασίες συντήρησης πρέπει να εκτελούνται από εξειδικευμένο προσωπικό, ή από εξουσιοδοτημένο Κέντρο εξυπηρέτησης. Αυτό το εγχειρίδιο περιγράφει μόνο τις γενικές και κοινές διαδικασίες συντήρησης.

Για τις λοιπές διαδικασίες συντήρησης οι οποίες δεν περιλαμβάνονται στον παρακάτω πίνακα προγραμματισμένης συντήρησης, ανατρέξτε στο Εγχειρίδιο σέρβις που μπορείτε να το ζητήσετε από οποιοδήποτε Κέντρο εξυπηρέτησης της εταιρείας μας.

ΠΙΝΑΚΑΣ ΠΡΟΓΡΑΜΜΑΤΙΣΜΕΝΗΣ ΣΥΝΤΗΡΗΣΗΣ**ΠΡΟΣΟΧΗ!**

Η διαδικασία που είναι σημειωμένη με (1) πρέπει να εκτελείται όταν το μηχάνημα χρησιμοποιείται για πρώτη φορά, μετά από 8 ώρες. Η διαδικασία που είναι σημειωμένη με (2) πρέπει να γίνεται από Κέντρο εξυπηρέτησης που είναι εξουσιοδοτημένο από την εταιρεία μας.

Διαδικασία	Καθημερινά, μετά από κάθε χρήση	Μία φορά τη βδομάδα	Εξαμηνιαία	Μία φορά το χρόνο
Φόρτιση μπαταρίας				
Καθάρισμα μάκτρου				
Καθαρισμός στηρίγματος βούρτσας / βάσης δίσκου				
Καθαρισμός κάδου				
Επιθεώρηση λαρίδας στεγανοποίησης κάδου				
Καθαρισμός φίλτρου μπάλας επίπλευσης				
Καθαρισμός δίσκου				
Καθαρισμός προστατευτικού πιτσιλισματος (μόνο για μηχανήματα δίσκου)				
Έλεγχος και αντικατάσταση των πτερυγίων του μάκτρου				
Καθαρισμός φίλτρου νερού καθαρισμού				
Καθαρισμός του φίλτρου αναρρόφησης				
Έλεγχος στάθμης υγρού μπαταρίας WET				
Επιθεώρηση σφιζίματος της βίδας και του παξιμαδιού			(1)	
Κάτω απομονωτής (μόνο για μηχανήματα ελλειμοειδούς κίνησης)			(2)	
Έλεγχος ή αντικατάσταση στο καρβουνάκι του κινητήρα βούρτσας				(2)
Έλεγχος ή αντικατάσταση στο καρβουνάκι του κινητήρα αναρρόφησης				(2)
Έλεγχος ή αντικατάσταση στο καρβουνάκι του κινητήρα συστήματος κίνησης				(2)

INTRODUCCIÓN



¡ATENCIÓN!

Parte de la información general y detallada no está incluida en esta guía.

Por favor consulte el Manual GUÍA RÁPIDA DE INICIO proporcionado en CD-ROM para lectura con Adobe® Reader®.



NOTA

Los números entre paréntesis hacen referencia a los componentes que se muestran en la sección Descripción de la Máquina.

PROPÓSITO Y CONTENIDOS DE ESTA GUÍA

El propósito de esta Guía de Inicio Rápido es proporcionar al operador toda la información básica para el uso correcto de la máquina. Para obtener información inherentes a los datos técnicos, al funcionamiento, almacenamiento, mantenimiento, piezas de repuesto, condiciones de seguridad etc., véase el Manual GUÍA RÁPIDA DE INICIO proporcionado en CD-ROM.

Antes de realizar cualquier procedimiento en la máquina, los operadores y los técnicos calificado deben leer la Guía Rápida de Inicio. En caso de dudas sobre la correcta interpretación de las instrucciones, contactar con nuestra empresa para obtener más información.

CÓMO GUARDAR ESTA GUÍA RÁPIDA DE INICIO

La Guía rápida de utilización debe mantenerse cerca de la máquina, en el interior de una funda adecuada, lejos de líquidos y otras sustancias que puedan ocasionar daños en la misma.

DECLARACIÓN DE CONFORMIDAD

La Declaración de conformidad se suministra con la máquina y certifica la conformidad de la máquina con la ley vigente.



NOTA

Las copias de la declaración de conformidad original se proporcionan junto con la documentación de la máquina.

ACCESORIOS Y MANTENIMIENTO

Todos los procedimientos de operación, mantenimiento y reparación necesarios deben ser realizados por personal calificado o por los centros de servicio designados de nuestra empresa. SOLO se permite el uso de accesorios y piezas de repuesto originales.

Póngase en contacto con el servicio de atención al cliente de nuestra empresa por cualquier servicio o compra de accesorios o piezas de repuesto según necesario.

CAMBIOS Y MEJORAS

Estamos comprometidos con la mejora continua de nuestros productos, por lo que la compañía se reserva el derecho de aportar cambios y mejoras al producto sin aviso adicional.

ÁMBITO DE APLICACIÓN

La fregadora está destinada al uso comercial e industrial. Es apropiada para la limpieza de suelos duros y lisos, cuando es operada por personal calificado en las circunstancias de seguridad. No es apta para el uso al aire libre o para la limpieza de alfombras o suelos ásperos.

DATOS DE IDENTIFICACIÓN DE LA MÁQUINA

El número de serie y el modelo de la máquina aparecen marcados en la etiqueta de serie.

Esta información es útil. Utilice la siguiente tabla para anotar los datos de identificación de la máquina a la hora de comprar piezas de repuesto para la máquina.

MODELO DE LA MÁQUINA.....
NÚMERO DE SERIE DE LA MÁQUINA.....

TRANSPORTE Y DESEMBALAJE

Cuando el transportista entrega la máquina, asegúrese de que el embalaje y la máquina se encuentran enteros y sin daños. En caso de cualquier daño, avise el transportista sobre el daño y, antes de aceptar las mercancías, resérvese el derecho a ser indemnizado por el daño. Al desembalar la máquina siga estrictamente las instrucciones en el embalaje.

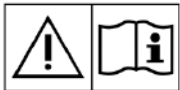
Compruebe el paquete y asegúrese de que los siguientes artículos están incluidos:

1. Documentación técnica guía rápida de inicio
2. Catálogo piezas (*).
3. Conexión de la batería.
4. Manual del cargador de batería electrónico (si está instalado) (*)

SEGURIDAD

Los siguientes símbolos indican situaciones potencialmente peligrosas. Siempre lea atentamente esta información y tome todas las precauciones necesarias para salvaguardar a las personas y las propiedades.

SÍMBOLOS VISIBLES EN LA MÁQUINA



¡ADVERTENCIA!

Lea detenidamente todas las instrucciones antes de realizar cualquier operación en la máquina.



¡ADVERTENCIA!

No lave la máquina con chorros directos o agua a presión.



¡ADVERTENCIA!

No utilice la máquina en pendientes con un grado de inclinación superior al que se define en la especificación.

SÍMBOLOS QUE APARECEN EN LA GUÍA RÁPIDA DE INICIO



¡PELIGRO!

Indica una situación peligrosa con riesgo de muerte para el operador.



¡ADVERTENCIA!

Indica un riesgo potencial de lesiones a las personas.



¡ATENCIÓN!

Indica una advertencia o una nota relacionada con funciones importantes o útiles. Preste atención a los párrafos marcados con este símbolo.



NOTA

Indica una observación relacionada con funciones importantes o útiles.



CONSULTA

Indica la necesidad de consultar el Manual Guía Rápida de Inicio antes de efectuar cualquier operación.

INSTRUCCIONES GENERALES DE SEGURIDAD

Advertencias y precauciones específicas para informar acerca de los posibles daños a las personas y a la máquina se muestran a continuación.



¡PELIGRO!

- Esta máquina debe ser operada por personal capacitado y autorizado de acuerdo con las instrucciones del manual.
- Antes de realizar cualquier procedimiento de limpieza, mantenimiento, reparación o sustitución, lea todas las instrucciones con cuidado, asegúrese de apagar la máquina y desconectar el conector de la batería.
- No utilice la máquina cerca de polvos, líquidos o vapores tóxicos, peligrosos, inflamables y/o explosivos. Esta máquina no es adecuada para la recogida de polvos peligrosos.
- Quitarse las joyas cuando se trabaja cerca de los componentes eléctricos.
- No trabajar bajo la máquina levantada si ésta no está fijada con los soportes de seguridad adecuados.
- Cuando se usan baterías de plomo (WET), en condiciones de uso normales estas pueden emitir gases inflamables por lo que hay que mantener las chispas, llamas, materiales humeantes y radiantes, objetos iluminadores y ardientes lejos de las baterías.
- Durante la carga, las baterías de plomo (WET) pueden emitir gas hidrógeno que es explosivo. Asegúrese de que el entorno de la carga está bien ventilado y lejos de llamas descubiertas.



¡ADVERTENCIA!

- Esta máquina es para USO COMERCIAL, por ejemplo en hoteles, colegios, hospitales, fábricas, tiendas y oficinas y negocios de alquiler.
- Las máquinas desatendidas deberán estar protegidas ante cualquier movimiento involuntario.
- Para evitar usos no autorizados de la máquina, la fuente de energía debe apagarse o bloquearse, por ejemplo quitando la llave del interruptor principal o la llave de encendido.
- Inspeccione cuidadosamente la máquina antes de cada uso. Asegúrese de que todos los componentes se encuentran montados seguramente antes de su uso. En el caso contrario podrían producirse daños a las personas y a las propiedades.
- Antes de utilizar el cargador de baterías, asegúrese de que los valores de frecuencia y voltaje indicados en la etiqueta del número de serie de la máquina coincidan con los de la red eléctrica.
- Nunca mueva la máquina tirando del cable del cargador de la batería. No pase el cable a través de puertas cerradas o enrollarse en bordes o esquinas afiladas. No conduzca la máquina sobre el cable del cargador de la batería. Mantenga el cable del cargador de la batería lejos de superficies calientes.
No cargue las baterías si el cable o el enchufe del cargador de la batería están dañados.
- Para reducir el riesgo de incendio, descargas eléctricas o lesiones, asegúrese de que la máquina está apagada antes de salir.
- Utilice o guarde la máquina en interiores en condiciones secas, no está permitido usarla al aire libre.
- La temperatura tanto de almacenamiento como de funcionamiento de la máquina debe ser entre 0 °C y +40 °C, la humedad del aire debe oscilar entre 30% y 95%.
- No utilice la máquina en pendientes con un grado de inclinación superior al que se define en la especificación.
- Durante el uso y manipulación de detergentes de limpieza de suelos, siga las instrucciones en las etiquetas del detergente y use guantes y protecciones adecuadas.
- Utilice cepillos y pads suministrados con la máquina o definidos en el manual. El uso de otros cepillos o pads podría reducir la seguridad.
- Cuando la máquina no funciona correctamente, asegurarse de que esto no sea causado por falta de mantenimiento. Si es necesario, solicite la asistencia del personal autorizado o se un Centro de asistencia autorizado.
- Tomar todas las precauciones necesarias para que el pelo, las joyas y las ropas no sean capturados por las partes móviles de la máquina.
- No usar la máquina en ambientes demasiado polvorientos.

- No lave la máquina con chorros directos o presurizados de agua, o con sustancias corrosivas.
- No chocar contra estanterías o andamios de los que puedan caer objetos.
- No poner recipientes de líquidos sobre la máquina, usar el portabebidas.
- Para evitar daños en el suelo, no permita que el cepillo/pad funcione mientras la máquina está parada.
- En caso de incendio, use un extintor de polvo seco. No utilice extintores líquidos.
- No retire o modifique las pegatinas de la máquina.
- No manipule las protecciones de seguridad de la máquina y siga las instrucciones de mantenimiento ordinarias estrictamente.
- Tener cuidado durante el traslado de la máquina en condiciones de temperatura muy baja. El agua en el depósito de recuperación o en los tubos podría congelarse y dañar la máquina.
- Si deben sustituirse piezas, solicite piezas de repuesto ORIGINALES a un Concesionario y/o Revendedor autorizado.
- Lleve la máquina al Centro de asistencia si no funciona como de costumbre o está en condiciones de haber sido dañada, dejada al aire libre, caída al agua.
- Para garantizar el funcionamiento correcto y seguro de la máquina, el mantenimiento programado que se muestra en el capítulo correspondiente de este manual, debe ser realizado por el personal autorizado o un Centro de asistencia autorizado.
- La máquina debe desecharse de forma adecuada, debido a la presencia de materiales tóxicos dañinos (baterías, etc.), que están sujetos a las normas que requieren la eliminación en centros especiales (véase capítulo Desguace).
- Esta máquina es una herramienta de limpieza, no sirve para cualquier otro propósito.
- Las aperturas deben mantenerse libre de polvo, hilacha, pelos y cualquier otro cuerpo extraño que pueda reducir el flujo de aire. No utilice la máquina si los orificios están obstruidos.
- Usar la máquina sólo en áreas con suficiente iluminación.
- Esta máquina no debe ser utilizada por personas (incluidos niños) con capacidades físicas, sensoriales o mentales reducidas, o con falta de experiencia y conocimientos.
- Tener mucho cuidado cuando se utiliza cerca de niños.
- Los niños deben ser supervisados para asegurarse de que no jueguen con el aparato.
- Cuando se usa esta máquina, tener cuidado de salvaguardar la incolumidad de personas y cosas.
- Los niños no pueden efectuar limpieza y mantenimiento de la máquina sin supervisión adecuada.

DESCRIPCIÓN DE LA MÁQUINA
CONSTRUCCIÓN DE LA MÁQUINA (como se indica en Figura 1)

- | | |
|---|---|
| 1. Tapa del depósito de recuperación | 15. Bisagra |
| 2. Portaobjetos | 16. Depósito de recuperación |
| 3. Manillar | 17. Tapa del filtro |
| 4. Panel de control | 18. Soporte del tubo de llenado |
| 5. Caja de control | 19. Soporte del filtro |
| 6. Placa número de serie/datos técnicos | 20. Goma de la tapa del depósito |
| 7. Tapa de salida | 21. Caja de recogida de residuos |
| 8. Reguladores de la boquilla | 22. Filtro con flotador de bola |
| 9. Tubo de aspiración de la boquilla | 23. Grifo de solución detergente /agua limpia |
| 10. Empuñadura de ajuste equilibrado boquilla | 24. Ruedas traseras directrices |
| 11. Boquilla | 25. Sistema de cepillo (solo para máquina de disco) |
| 12. Filtro de la solución detergente | 26. Antisalpicaduras |
| 13. Ruedas de tracción | 27. Regulador de ajuste de la cabeza orbital |
| 14. Depósito de la solución detergente | 28. Sistema orbital (solo para máquina orbital) |

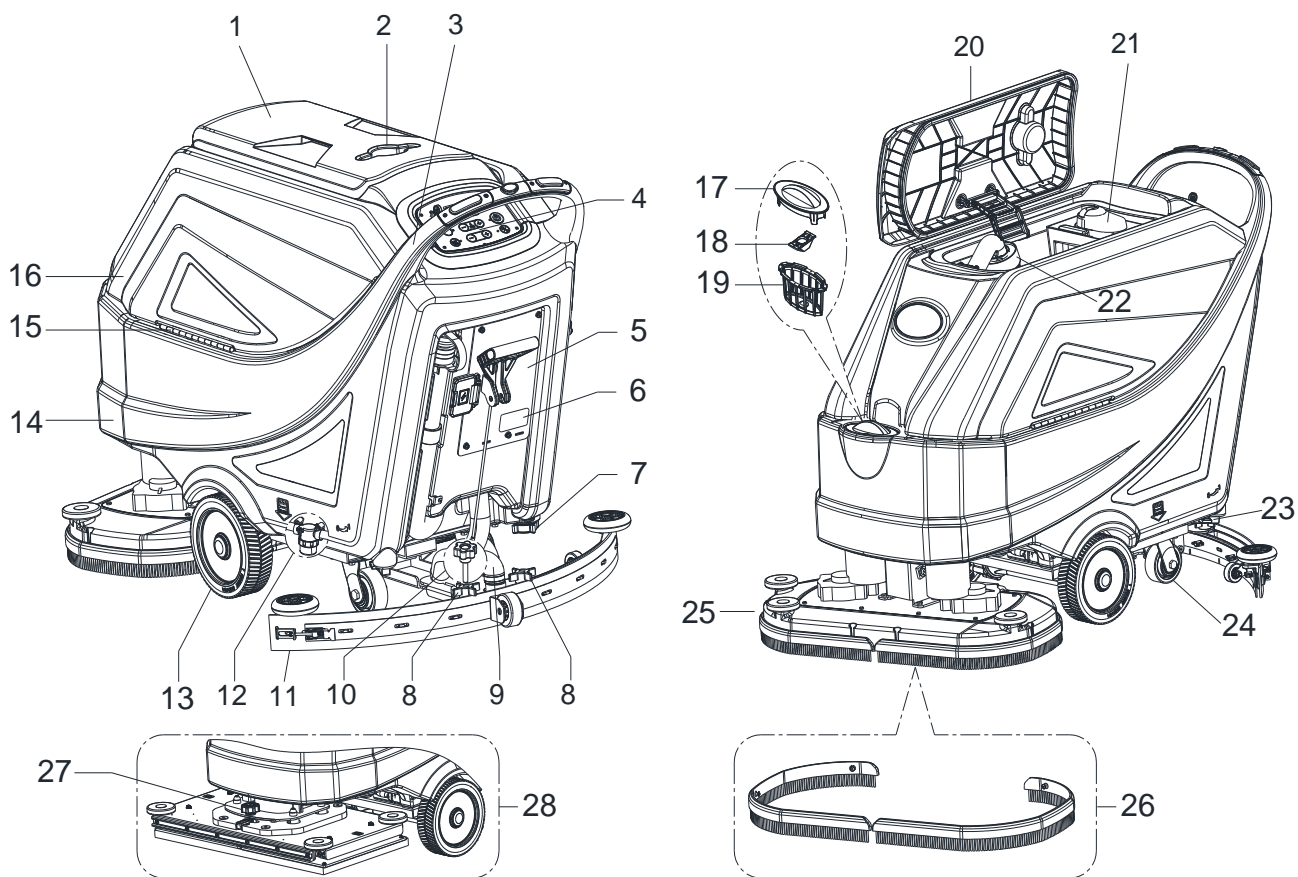


Figura 1

CONSTRUCCIÓN DE LA MÁQUINA (como se indica en Figura 2)

- 29. Conector (rojo) de las baterías
 - 30. Baterías (*)
 - 31. Tapones de las baterías
 - 32. Tubo indicador de nivel de agua
 - 33. Cable de soporte del depósito abierto
 - 34. Sistema de aspiración
 - 35. Interruptor de seguridad
 - 36. Interruptor de marcha atrás
 - 37. Tubo de descarga del agua de recuperación
 - 38. Tapa de seguridad del conector de carga
 - 39. Palanca de subida/bajada de la boquilla
 - 40. Tapón de llenado lateral del depósito de la solución detergente
 - 41. Cargador de a bordo (*)
- (*): Opcional

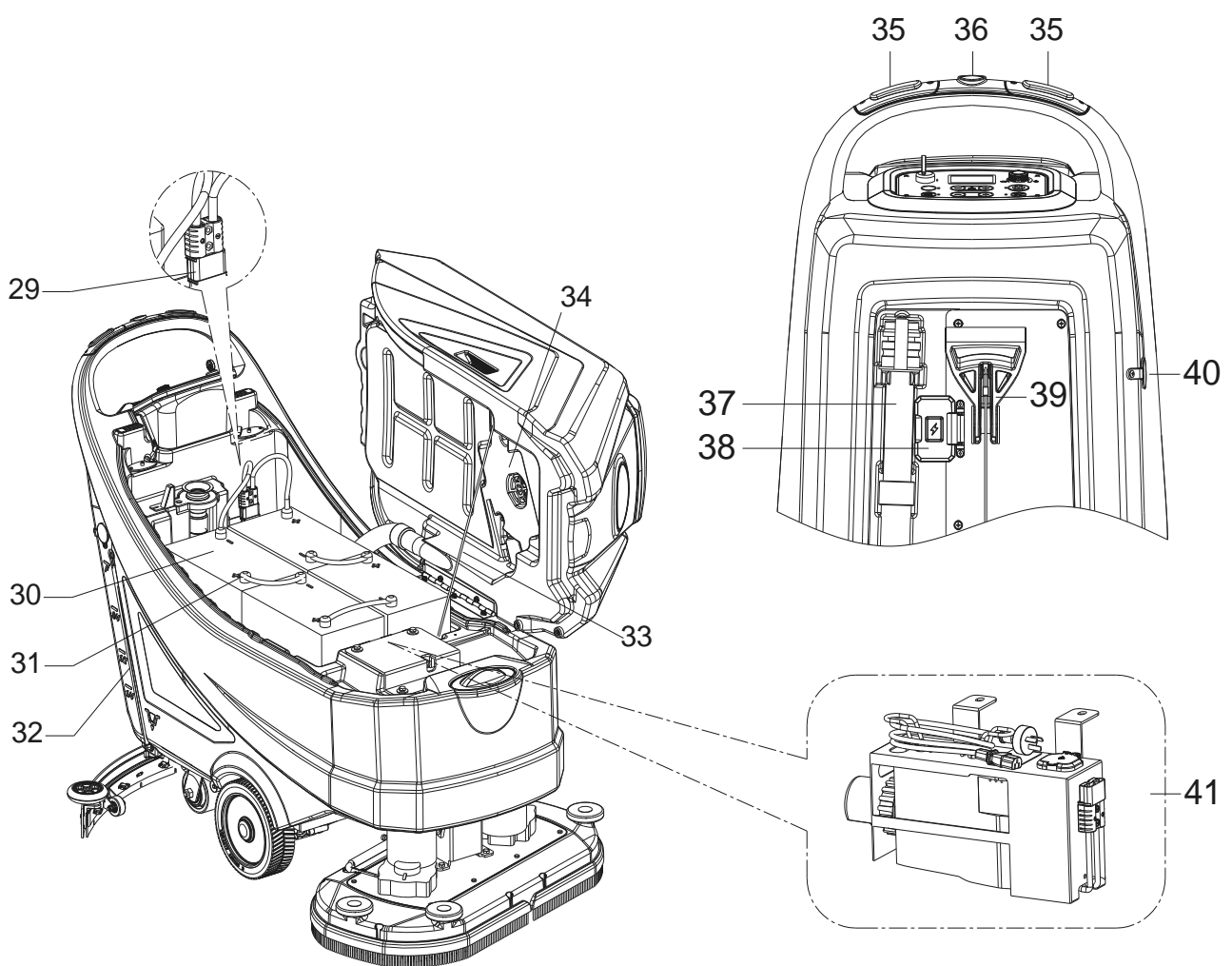


Figura 2

PANEL DE CONTROL (como se indica en la Figura 3)

41. Pantalla multifunción
 Visualizaciones:
 A) Tipo de baterías
 B) Nivel de carga de las baterías
 C) Horas de trabajo
 D) Modo ECO
 E) Modalidad aspiración normal
 F) Modalidad aspiración silenciosa
 G) Modalidad marcha atrás
 H) Presión adicional activada
 I) Cantidad del flujo de la solución detergente
 J) Modalidad trabajo del cepillo
 K) Modalidad aspiración
 L) Modalidad preparación suelo
42. Llave de encendido (0 - I)
43. Botón modalidad ECO
 • LED debajo de la función activado
 flujo del agua al mínimo (nivel 1)
 • presión al mínimo (nivel 1)
 • La aspiradora está en modalidad silenciosa
44. Botón de desbloqueo cepillo/portapad (solo para máquina de disco)
 • LED intermitente - sistema desenganche activado
45. Botón preparación suelo (solo para máquina orbital)
 Velocidad de desplazamiento preconfigurada a 1Km/hora.
 • LED debajo de la función activado
 • flujo del agua al mínimo (nivel 1)
 • Presión al máximo (nivel 3)
 • La aspiradora está en modalidad normal
46. Botón de ajuste presión cepillo
47. Botón de ajuste flujo de la solución detergente
48. Regulador de velocidad
49. Botón de arranque
 • LED debajo de la función activado
 • sistema de agua al mínimo (nivel 1)
 • presión al mínimo (nivel 1)
 • sistema de aspiración normal
50. Botón regulación sistema de aspiración:(pulse el botón durante 1 segundo para la activación)
 • LED en modalidad normal
 • LED intermitente - Modalidad silenciosa

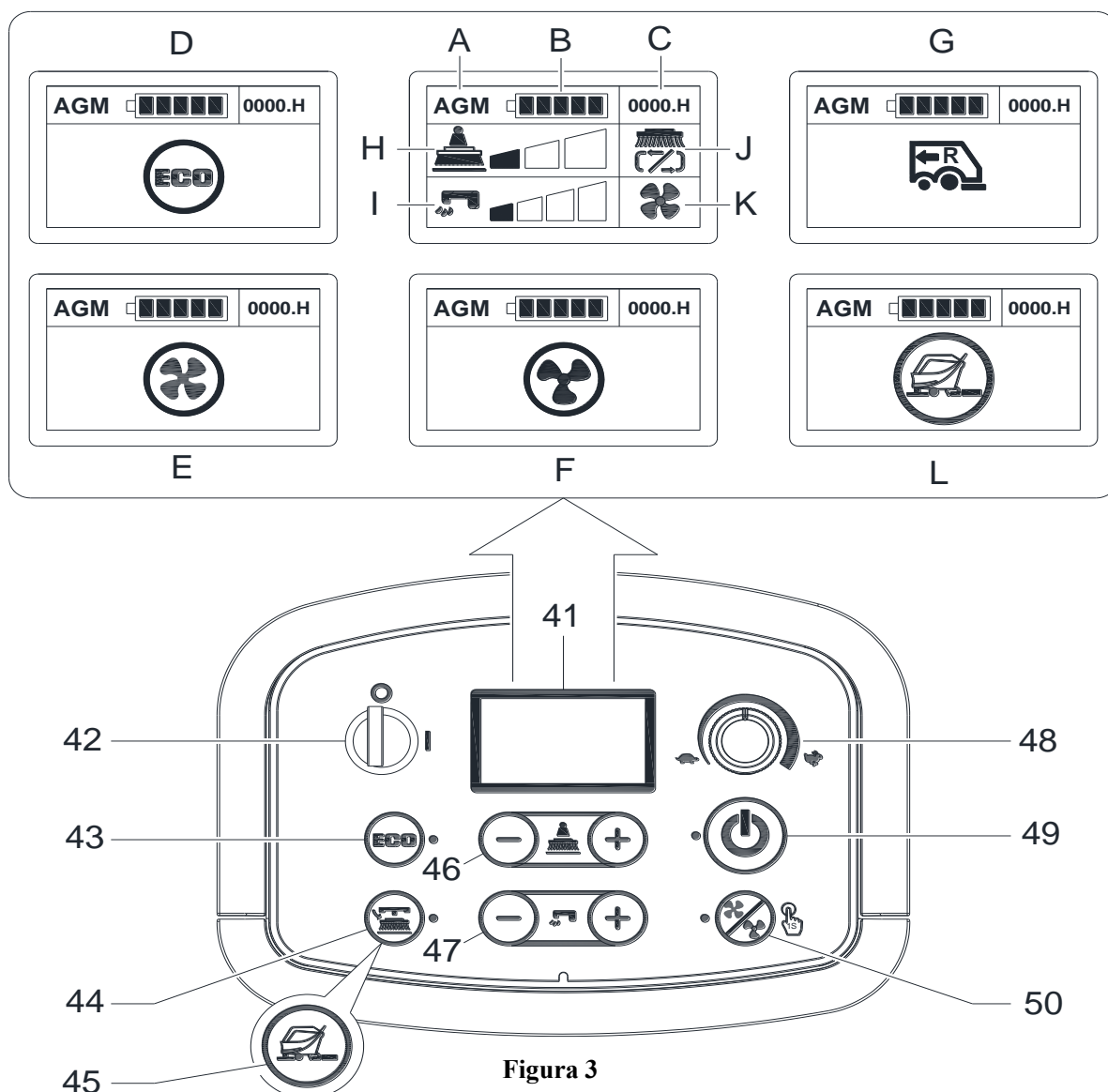


Figura 3

PARÁMETROS TÉCNICOS

Tipos de parámetros	Unidades	Modelo		
		AS6690T	AS7690T	AS7190TO
Capacidad del depósito de la solución detergente	L / Gal	85 L / 22 Gal.		
Capacidad del depósito de recuperación	L / Gal	90 L / 24 Gal.		
Longitud de la máquina	mm/pulg.	1490 mm/ 59 pulg.	1550mm/ 61 pulg.	1490 mm/ 59 pulg.
Anchura de la máquina con boquilla	mm/pulg.	830 mm / 33 pulg.	950 mm / 38 pulg.	
Anchura de la máquina sin boquilla	mm/pulg.	730 mm/29 pulg.	830mm/33 pulg.	750mm/30 pulg.
Altura de la máquina	mm/pulg.	1020 mm/40,2 pulg.		
Ancho de trabajo	mm/pulg.	660 mm/26 pulg.	760 mm/30 pulg.	710 mm/28 pulg.
Diámetro ruedas de tracción	mm/pulg.	230 mm/9 pulg.		
Presión específica al suelo de las ruedas de tracción	N/mm ²	0,67 N/mm ²		
Diámetro de la rueda trasera	mm/pulg.	101 mm/4 pulg.		
Presión específica al suelo de las ruedas traseras	N/mm ²	0,82 N/mm ²		
Diámetro cepillo/pad	mm/pulg.	330 mm x 2 / 13 pulg. x 2	380mm x 2 / 15 pulg. x 2	355x710 mm / 14x28 pulg.
Presión del cepillo/pad (máx.)	kg/lbs.	32 kg/71 lbs 41 kg /90 lbs 49 kg /108 lbs	35 kg /77 lbs 43 kg /95 lbs 51 kg /112 lbs	42 kg/93 lbs 54 kg/120 lbs 65 kg/143 lbs
Flujo de la solución detergente (máx) por configuración	L / Gal por minuto	(0,9/1,5/2,2/3) Litros (0,24/0,39/0,58/0,79) Galones		(0,6/1,1/1,9/2,5) Litros (0,16/0,29/0,5/0,66) Galones
Nivel de potencia acústica	dB (A)	69 ± 3 dB (A)		
Nivel de potencia acústica en modalidad ECO o en modalidad silenciosa	dB (A)	65 ± 3 dB (A)		
Nivel de vibración asa (máx)	m/s ²	< 2,5 m/s ²		
Capacidad de ascenso (máx.)	% grados	2%		
Rotación mínima pasillo	cm/pulg.	155cm/61 pulg.	165 cm/65 pulg.	160 cm/63 pulg.
Potencia del motor de tracción	Watt/H.P.	250 W/0,33 HP		350 W/0,47 HP
Velocidad de trabajo	Km / Millas por hora	0 - 4.0 Km / 0 - 2.5 Millas por hora		0 - 3, 2 Km / 0 - 2.0 Millas por hora
Velocidad hacia adelante	Km / Millas por hora	0 - 4,0 Km / 0 - 2,5 Millas por hora		
Velocidad en marcha atrás	Km / Millas por hora	0 - 2,0 Km / 0 - 1,25 millas por hora		
Potencia del motor de aspiración	Watt/H.P.	500 W/0,66 HP		
Capacidad de aspiración	mm/pulg. de H ₂ O	1500 mm/60 pulg. de H ₂ O		
Capacidad de aspiración en modalidad ECO o en modalidad silenciosa	mm/pulg. de H ₂ O	900 mm/35 pulg. de H ₂ O		
Potencia del motor del cepillo	Watt/H.P.	500 x 2 Watt / 0,66 x 2 HP		750 Watt / 1,0 HP
Velocidad cepillos en modalidad normal	RPM	200 RPM		2200 RPM
Velocidad cepillos en modalidad ECO	RPM	160 RPM		1600 RPM
Grado de protección IP	IP	IP24		
Tamaño del compartimento de la batería con cargador externo (L x W x H)	mm/pulg.	(620 x 385 x 390) mm/24,4 x 15,1 x 15,3 pulg.		
Tamaño del compartimento de la batería con cargador a bordo (L x W x H) (*)	mm/pulg.	(535 x 385 x 390) mm/21 x 15,1 x 15,3 pulg.		
Voltaje	CD	24 V		
Baterías (*)	Ah	N/D		
Tiempo de funcionamiento de la batería (baterías estándares) (*)	Horas	Hasta 4 horas		
Cargador de a bordo (*)	Volt/Amp	24V 25A		
Productividad (máx)	m ² /h	2640 m ² /h	3040 m ² /h	2272 m ² /h
Peso de la máquina con los depósitos vacíos (sin baterías)	kg/lbs.	135 kg/298 lbs	138 kg/304 lbs	148 kg/326 lbs
Peso total de la máquina	kg/lbs.	347 kg/765 lbs	350 kg/772 lbs	360 kg/794 lbs
Peso de transporte	kg/lbs.	202 kg/444 lbs	205 kg/451 lbs	215 kg/473 lbs
Dimensiones del embalaje (L x W x H)	mm/pulg.	(1620 x 810 x 1200 mm) / (64 x 32 x 48 pulgadas)	(1660 x 910 x 1200 mm) / (66 x 36 x 48 pulgadas)	

(*): Opcional

GUÍA DE FUNCIONAMIENTO



¡ADVERTENCIA!

En algunos lugares de la máquina se encuentran algunas placas adhesivas que indican:

- ¡PELIGRO!
- ¡ADVERTENCIA!
- ATENCIÓN!
- CONSULTA

Durante la lectura de este manual, el operador debe prestar especial atención a los símbolos que aparecen en las placas. No cubra estas placas por cualquier motivo y reemplácelas inmediatamente si están dañadas.

VERIFICACIÓN/CONFIGURACIÓN DE LA BATERÍA EN UNA MÁQUINA NUEVA



¡ADVERTENCIA!

Los componentes eléctricos de la máquina pueden resultar seriamente dañados si las baterías están mal instaladas o conectadas. Las baterías deben ser instaladas solamente por personal cualificado. Ajuste de la tarjeta electrónica funciones y del cargador de baterías, según el tipo de batería utilizado (WET o GEL/AGM). Antes de instalar las baterías, controlar que no estén dañadas. Desconecte el conector de batería y el enchufe el cargador de batería. Manipule las baterías con gran cuidado. Instale las tapas de protección de los terminales de las baterías suministradas con la máquina.

Baterías instaladas en la máquina y listas para su uso

1. Asegurarse de que el conector de las baterías (29, Figura 2) esté conectado.
2. Cuando se utiliza la máquina por primera vez con baterías nuevas, efectúe un ciclo de carga completo de las baterías (véase

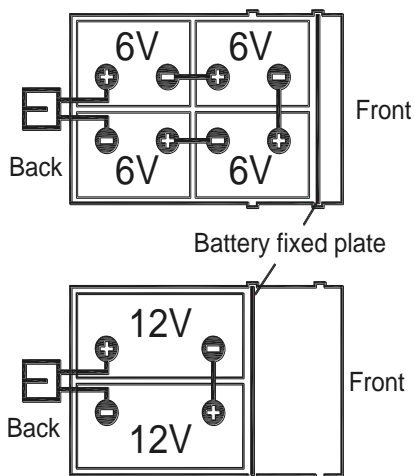
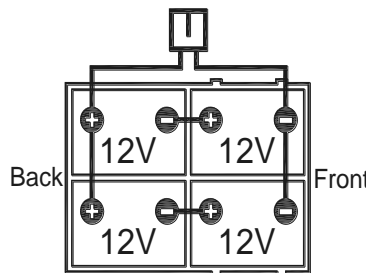


Figura 4



NOTA

La máquina requiere dos baterías de 12V o cuatro baterías de 6V, conectadas según el diagrama (Figura 4). Coloque la plaqueta fija de la batería correctamente como se indica (Figura 4).



procedimiento en el capítulo Mantenimiento).

Sin baterías

1. Compre baterías adecuadas (véase el párrafo «Datos técnicos»). Para escoger e instalar las baterías, acudir a un Revendedor calificado.
2. Según el tipo de baterías elegidas, configure la máquina actuando como se indica en el párrafo Llave Super User en el capítulo Mantenimiento.

INSTALACIÓN DE LA BATERÍA Y CONFIGURACIÓN DEL TIPO DE BATERÍA (WET OR GEL/AGM OR DIS OR ENES)

Instalación de las baterías

1. Abra la tapa del depósito de recuperación (1, Figura 1) y controle que el depósito de recuperación (16) esté vacío, si no vacíelo mediante el tubo de descarga. (37, Figura 2)
2. Cierre la tapa del depósito de recuperación (1, Figura 1).
3. Eleve el depósito de recuperación (16, Figura 1) con cuidado.
4. La máquina está equipada en fábrica con cables adecuados para instalar dos baterías de 12V o cuatro baterías de 6V. Coloque con cuidado las baterías en el compartimiento y a continuación instélelas correctamente. Coloque la plaqueta fija de la batería correctamente como se indica (Figura 4).
5. Pase e instale el cable de las baterías como se indica (en la Figura 4), luego apriete cuidadosamente la tuerca en cada uno de los terminales de la batería.
6. Coloque la tapa de protección encima de cada borne, luego conecte el conector de las baterías (29, Figura 2).
7. Baje con cuidado el depósito de recuperación (16, Figura 1).

AJUSTE DEL TIPO DE BATERÍAS (WET OR GEL/AGM OR DIS OR ENES)

Acceso para seleccionar la modalidad batería

Según el tipo de baterías (WET o GEL/AGM), configure la máquina realizando el procedimiento siguiente:

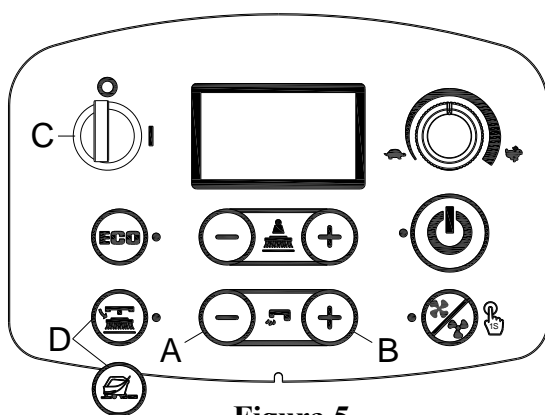


Figura 5

Access to select battery mode

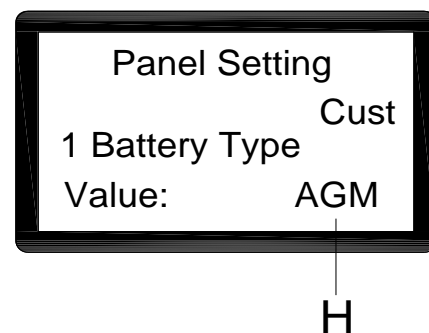


Figura 6

1. Pulse el botón caudal de agua «+» (A, Figura 5) y «-» (B, Figura 5) al mismo tiempo.
2. Introduzca la llave de encendido (C, Figura 5) y colóquelo en la posición "I".
3. Varios segundos más tarde, entre en la pantalla de selección de la modalidad batería (Figura 6)
4. Pulse el botón caudal de agua «-» (A, Figura 5) y «+» (B, Figura 5) para seleccionar la modalidad batería (H, Figura 6)
5. Pulse el botón de desbloqueo para la versión de disco o el botón de preparación del suelo para la versión orbital (D, figura 5), Después de 3 segundos aparece «Actualización OK» esto quiere decir que la actualización ha tenido éxito. (C, Figura 5)

Ajuste del cargador de baterías (solo para cargador de a bordo, si está presente)



¡ADVERTENCIA!

No ajuste el cargador, a menos que tenga una formación profesional

1. Apague la máquina y desmonte el cargador de a bordo (A, Figura 7) de la máquina. A continuación, abra la etiqueta del cargador (B, Figura 7) encontrará los 2 conjuntos de los interruptores (SW1 y SW2) en el cargador.
2. Sólo el conjunto de interruptor SW1 (en el lado izquierdo) tiene efecto sobre la selección de la curva de carga de acuerdo a la siguiente tabla.

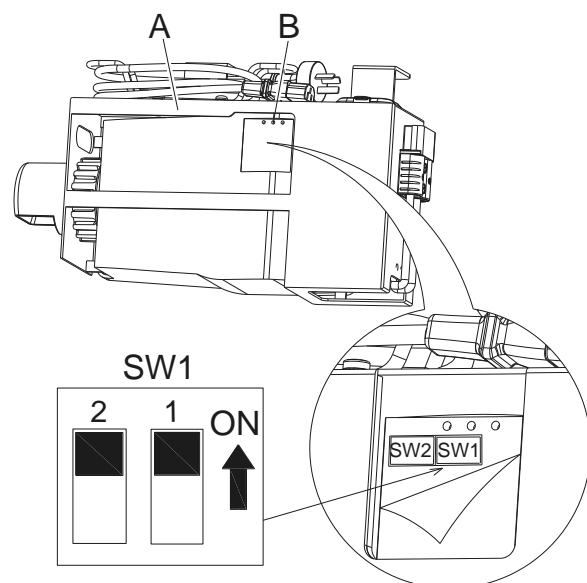


Figura 7

DP1	DP2	CURVA DE CARGA
ON	OFF	IUIa ACD para baterías de plomo-ácido (Wet)
OFF	OFF	IUIa-GEL para baterías de gel de Exide-Sonnenschein
OFF	ON	IUU0-GEL para baterías HAZE Gel y AGM de otros fabricantes
ON	ON	IUIUa-AGM para baterías Discover AGM

Carga de la batería

Efectuar un ciclo de carga completa de las baterías (véase procedimiento en el capítulo Mantenimiento).

Descarga de la batería

Cuando el icono de la batería está lleno (G, Figura 8), las baterías permiten el funcionamiento normal de la máquina. Cuando el icono de las baterías es bajo (H, figura 8), es necesario cargar las baterías. Unos segundos después de que el icono de la batería baje, el cepillo/portapad se apaga automáticamente, mientras que el sistema de tracción permanece encendido. Lleve inmediatamente la máquina en el área designada para la carga de las baterías.

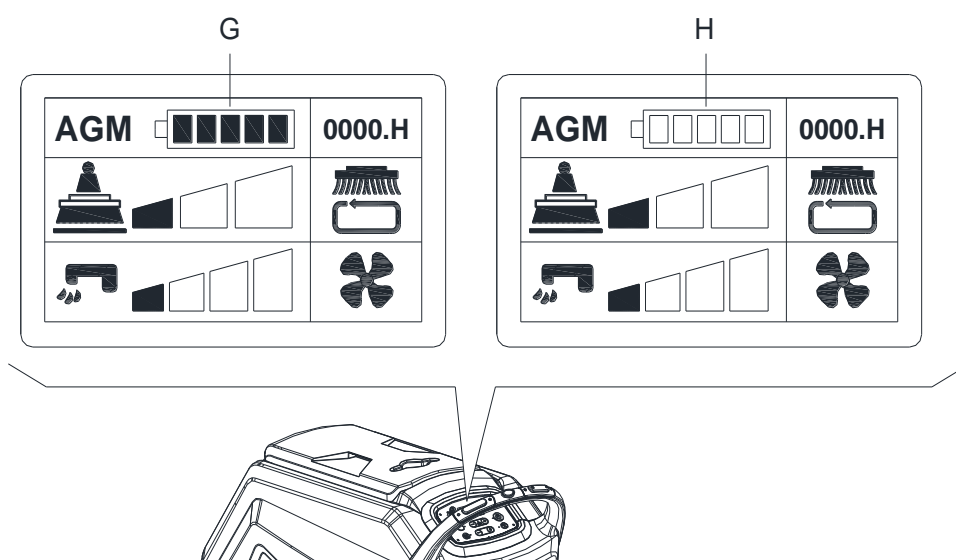


Figura 8



¡ATENCIÓN!

No dejar las baterías descargadas durante mucho tiempo, porque su durabilidad podría reducirse. Controlar la carga de las baterías por lo menos una vez por semana.

INSTALACIÓN Y REMOCIÓN CEPILLO/PORTAPAD (solo para máquina de disco)



NOTA

Instale el cepillo (A, Figura 9) o el portapad (B y C, Figura 9) según el tipo de suelo a limpiar.



¡ATENCIÓN!

Antes de la instalación o remoción del cepillo o portapad, asegúrese de que todos los interruptores de la máquina están en posición de apagado y la boquilla levantada del suelo. El operario debe estar equipado con dispositivos de protección como guantes para reducir el riesgo de accidentes.

Siga las instrucciones:

INSTALACIÓN:

1. Introduzca la llave de encendido (42 Figura 3) y colóquela en la posición «I». Eleve el cabezal. Apague la máquina quitando la llave de encendido (42).
2. Llevar al mínimo el regulador de la velocidad (48), girándolo en sentido antihorario.
3. Coloque los cepillos (A, Figure 9) o el portapad (B) debajo del cabezal.
4. Utilice el método manual girando el cepillo/portapad en la dirección opuesta a la dirección de giro normal, y puede instalarse. (como se indica en la Figura 9)

REMOCIÓN:

1. Introduzca la llave de encendido (42 Figura 3) y colóquela en la posición «I». Para retirar el cepillo/portapad, levante el cabezal presionando el botón de desbloqueo cepillo/portapad (44) el cepillo/portapad se libera automáticamente.

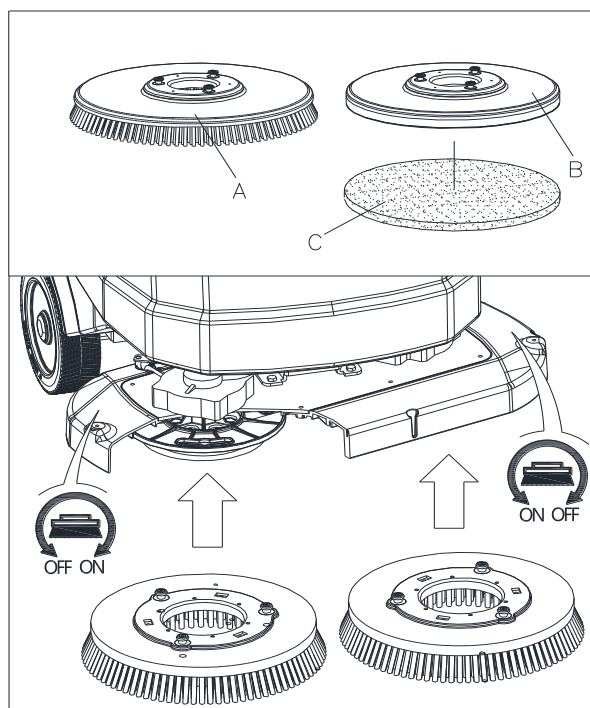


Figura 9

INSTALACIÓN Y REMOCIÓN PAD (solo para máquina orbital)

1. Introduzca la llave de encendido (42 Figura 3) y colóquela en la posición «I». Eleve el cabezal. Apague la máquina quitando la llave de encendido.
2. Utilice el método manual para instalar o quitar el pad como se indica en (Figura 10)

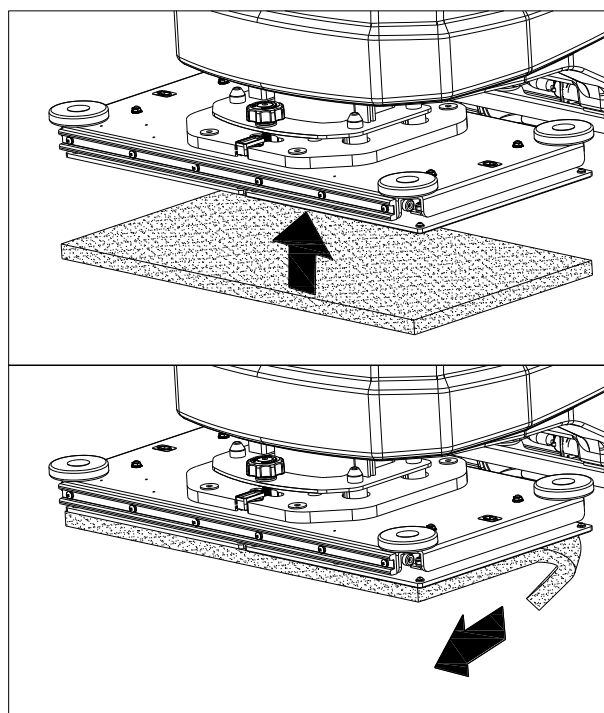


Figura 10

AJUSTE DE LA ESTABILIDAD DE LA BOQUILLA

1. Instale la boquilla y enrosque las tuercas (H, Figura 11), luego conecte el tubo de aspiración (G) con la boquilla.
2. Ajuste la posición de la boquilla mediante la palanca de ajuste de la boquilla (A, Figura 11).
 - a) Si queda un espacio entre el suelo y la sección media del labio trasero de la boquilla (B), ajuste el regulador (A) en dirección anti horaria (F) hasta que la entera sección del labio trasero de la boquilla entre en buen contacto con el suelo, el labio delantero tocando el suelo ligeramente.
 - b) Si hay espacio entre el suelo y los dos extremos del labio trasero (C y D), ajuste el regulador (A) en dirección horaria (E) hasta que la entera sección del labio trasero entre en buen contacto con el suelo, el labio delantero tocando el suelo ligeramente.

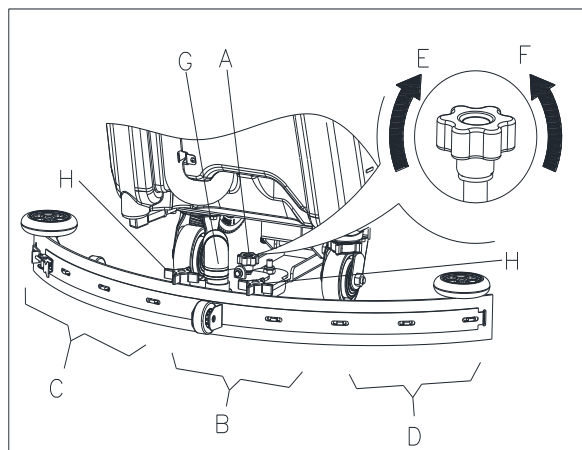


Figura 11

LLENADO DEL DEPÓSITO DE LA SOLUCIÓN

1. Abra la tapa de entrada del agua (B, Figura 12).
2. A través de la entrada de agua con filtro, llene con agua o solución adecuada para el tipo de trabajo a realizar. La temperatura de la solución detergente no debe superar +104°F (40°C).
3. No llene demasiado el depósito, refiérase al indicador del nivel de agua (H) en cuanto al volumen del agua.



¡ADVERTENCIA!

Utilice solo detergentes no inflamables y de baja espuma, indicados para el uso en fregadoras automáticas.

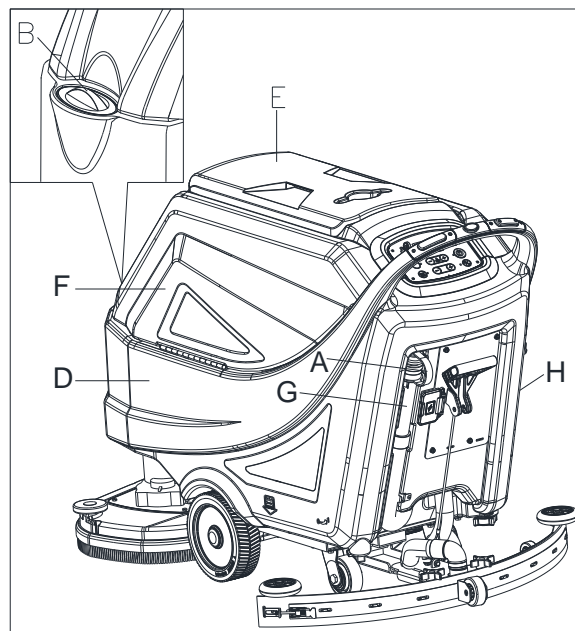


Figura 12

PUESTA EN MARCHA Y PARADA DE LA MÁQUINA

Puesta en marcha de la máquina

1. Preparar la máquina como indicado en el párrafo precedente.
2. Introduzca la llave de encendido (A, Figura 13) y colóquela en la posición «I». Controle el estado de la batería desde la pantalla de visualización. Si necesario, cargue las baterías (véase procedimiento en el capítulo Mantenimiento).
3. Conduzca la máquina a la zona de trabajo:
 - Presionando el interruptor de seguridad (F) para avanzar o el interruptor de seguridad (F) junto con el interruptor de marcha atrás (G) para ir hacia atrás. La velocidad de avance se puede ajustar mediante el regulador (H).
4. Baje la boquilla (I) con la palanca de subida/bajada de la boquilla (J).
5. Baje el cabezal portacepillos/portapads (K) presionando el botón de arranque (L)
6. Accione los botones de ajuste del flujo de la solución detergente (O) según sus necesidades, en función del trabajo que se debe efectuar.
7. Empiece a limpiar:
 - Pulse el interruptor de seguridad (F) para activar el sistema de tracción. Si es necesario, la velocidad de avance se puede ajustar mediante el regulador (H).



NOTA

Para la marcha adelante, pulse el interruptor de seguridad (F, Figura 13) derecho o izquierdo, o ambos.

Parada de la máquina

8. Pare la máquina soltando los interruptores de seguridad (F, Figura 13)
9. Los cepillos se paran. El sistema de aspiración se detiene al cabo de algunos segundos.
10. Levante el cabezal portacepillos/portapads (K) presionando el botón de arranque (L).
11. Levante la boquilla (I) con la palanca de subida/bajada de la boquilla (J).
12. Gire la llave de encendido (A) a la posición «0».
13. Asegurarse de que la máquina no pueda moverse de forma autónoma.

CONDUCCIÓN DE LA MÁQUINA (FREGAR Y SECAR)

1. Ponga la máquina en marcha como se indica en los párrafos anteriores.
2. Mientras presione el interruptor de seguridad (35, Figura 2), conduzca la máquina y empiece a lavar/secar el suelo.
3. Si es necesario, detenga la máquina y luego ajuste la boquilla como indicado en la sección «Ajuste de la estabilidad de la boquilla».

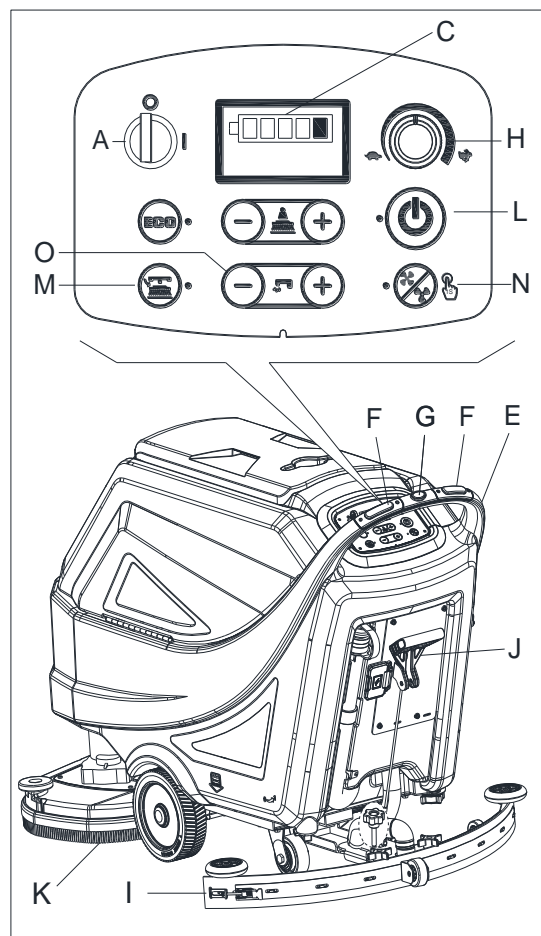


Figura 13

CONFIGURACIÓN DEL NIVEL DEL CABEZAL ORBITAL (SOLO PARA MÁQUINA ORBITAL)

1. Introduzca la llave de encendido (42) y gírela a la posición «I». Baje el cabezal portacepillos/portapads (25) presionando el botón de arranque (49)
2. Configure el nivel del cabezal orbital configurando el asa (A, Figura 14) para que la burbuja esté en el centro (B Figura 14).

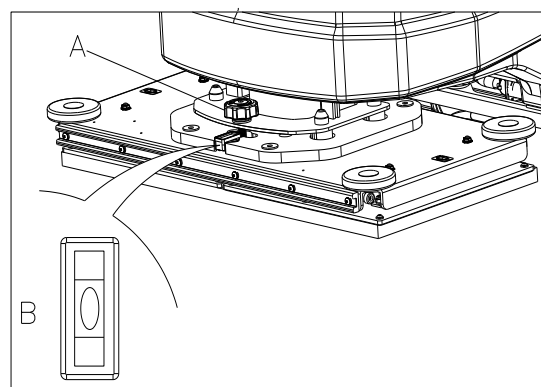


Figura 14



NOTA

Para un correcto lavado/secado de los suelos en los bordes de las paredes. Se aconseja acercarse a las paredes con la parte derecha de la máquina (A y B, Figura 15) como se indica en la figura.



¡ATENCIÓN!

Para evitar cualquier daño a la superficie del suelo, apague los cepillos/portapad cuando la máquina se detiene en un lugar, especialmente cuando la función de presión extra está activa.

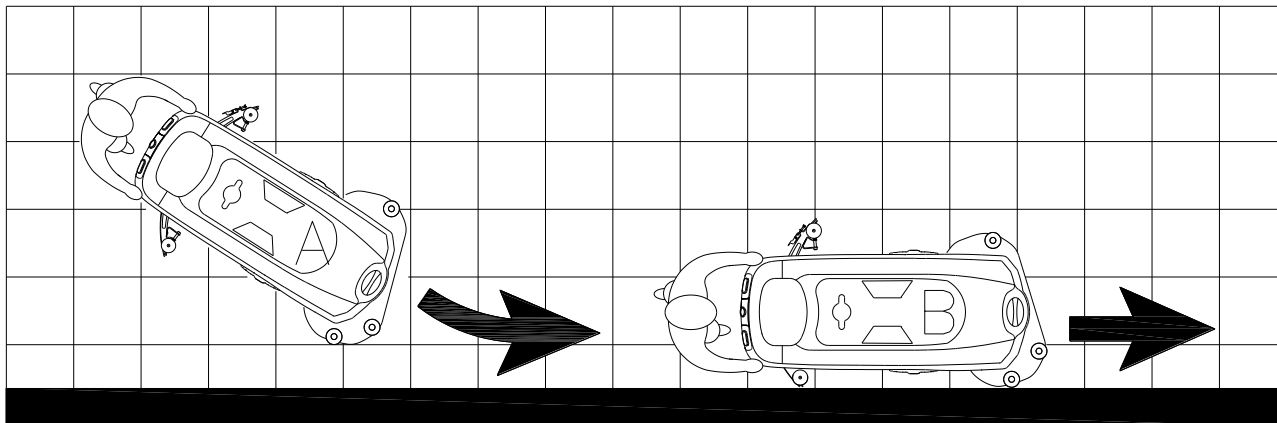


Figura 15

VACIAR LOS DEPÓSITOS

Un sistema de cierre del flotador automático (A, Figura 16) bloquea el sistema de aspiración cuando el depósito de recuperación del agua (B) está lleno. La desactivación del sistema de aspiración se indica mediante un aumento repentino en la frecuencia de ruido del motor del sistema de aspiración, y también el suelo no se seca.



¡ATENCIÓN!

Si el sistema de aspiración se apaga accidentalmente (por ejemplo, cuando el flotador se activa debido a un movimiento brusco de la máquina), para reanudar la operación: apague el sistema de aspiración pulsando el interruptor (50, Figura 3), a continuación, abra la tapa (C, Figura 16) y compruebe que el flotador dentro de la rejilla (A) ha bajado al nivel del agua. Luego cierre la tapa (C) y ponga en marcha el sistema de aspiración pulsando el interruptor (50, Figure 3).

Cuando el depósito de recuperación (B, Figura 16) está lleno, vacíelo de acuerdo con el siguiente procedimiento.

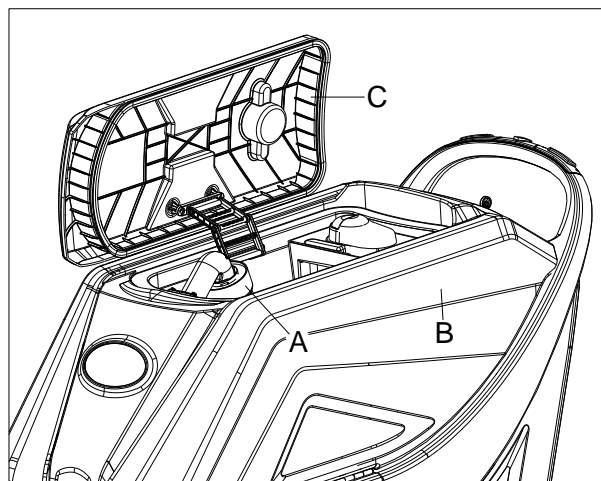


Figura 16

Vaciado del depósito de recuperación

1. Parar la máquina.
2. Levante el cabezal portaceillos/portapads (25, Figura 1) presionando el botón de arranque (49, Figura 3) o vuelva a arrancar la máquina con la llave de encendido (42, Figura 3).
3. Levante la boquilla (11 Figura 1) con la palanca de subida/bajada de la boquilla (39, Figura 2).
4. Llevar la máquina en el área de eliminación designada.
5. Vacíe el depósito de recuperación con el tubo (A Figura 17). Luego, enjuague el depósito (B, Figura 16) con agua limpia.



¡ATENCIÓN!

Al vaciar el agua residual, el tubo de aspiración de los residuos se debe doblar (A, Fig 17) y bajar a una posición más baja (B, Figura 17), a continuación, abra la tapa del tubo de aspiración de residuos para vaciar el agua. Evite que la boca del tubo de aspiración de residuos esté orientada hacia arriba para drenar el agua verticalmente. Esto es para prevenir que las aguas residuales salpiquen al operador.

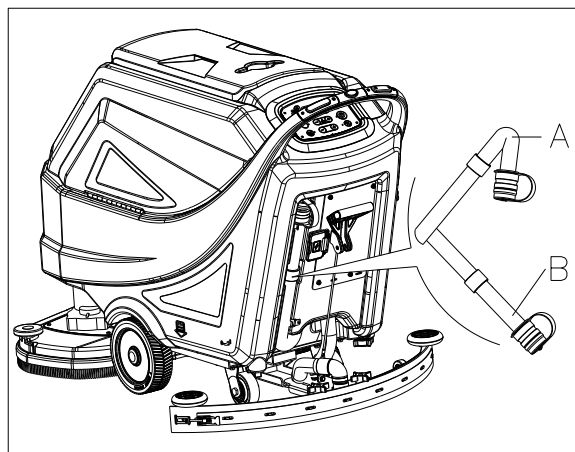


Figura 17

Vaciar el depósito de solución/agua limpia

1. Vacíe el depósito de solución detergente con la tapa de salida (A, Figura 18). Después del uso, enjuague el depósito con agua limpia.

DESPUÉS DEL USO DE LA MÁQUINA

Después de usar, antes de guardar la máquina:

1. Retire los cepillos/portapads presionando el botón de desbloqueo (44, Figura 3) y límpielos (solo para máquina de disco).
2. Quite el antisalpicaduras como se indica en (E, Figura 19) y límpielo. (Solo para máquina de disco)
3. Quite el pad y límpielo. (Solo para máquina orbital)
4. Vacíe los depósitos (B y C, Figura 18) tal y como se indica en el párrafo anterior.
5. Lleve a cabo los procedimientos de mantenimiento diario (véase el capítulo Mantenimiento).
6. Guarde la máquina en un lugar limpio y seco, con los cepillos/porta-pads y la boquilla levantados o desmontados.

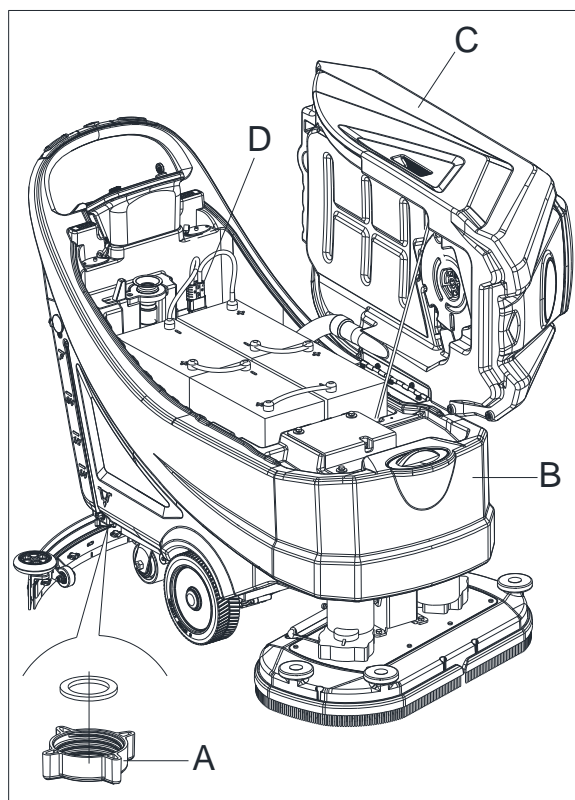


Figura 18

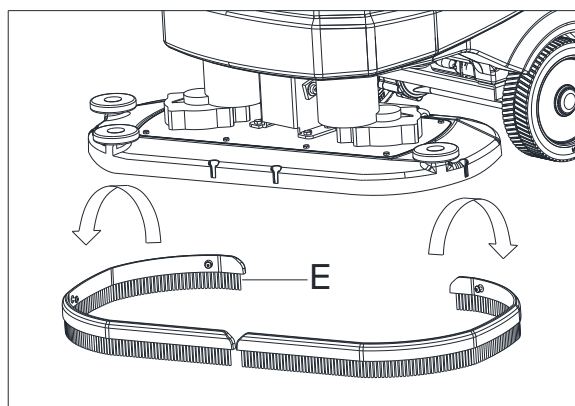


Figura 19

ALMACENAMIENTO DE LA MÁQUINA DURANTE LARGOS PERIODOS DE INACTIVIDAD

Si la máquina no va a ser utilizado durante más de 30 días, proceda de la siguiente manera:

1. Realice los procedimientos que se muestran en el párrafo Después del uso de la máquina.
2. Desconecte el conector de la batería (29, Figura 2).

PRIMER PERÍODO DE USO

Después de las primeras 8 horas, compruebe si los elementos de sujeción y unión de la máquina están bien apretados e inspeccione las partes visibles en busca de desgaste y fugas.

MANTENIMIENTO



¡ADVERTENCIA!

Los procedimientos de mantenimiento deben ser realizados cuando la máquina está apagada y el cable del cargador de la batería está desconectado. Además, lea atentamente los capítulos de seguridad en el manual.

Todos los procedimientos de mantenimiento programado o extraordinario deben ser realizados por personal cualificado o un Centro de asistencia autorizado. Este manual sólo describe los procedimientos de mantenimiento generales y comunes.

Para otros procedimientos de mantenimiento que no están en la tabla abajo del programa de mantenimiento, por favor refiérase al Manual de asistencia que puede ser consultado en cualquier Centro de asistencia de nuestra empresa.

TABLA DE MANTENIMIENTO PROGRAMADO



¡ATENCIÓN!

El procedimiento marcado con (1) debe realizarse 8 horas después del primer uso de la máquina. El procedimiento marcado con (2) debe ser realizado por el Centro de asistencia designado por nuestra empresa.

Procedimiento	Diario, después de cada uso	Semanal	Cada 6 meses	Anualmente
Carga de la batería				
Limpieza de la boquilla				
Limpieza del cepillo/porta-pad				
Limpieza de los depósitos				
Inspección de las tiras de sellado de los depósitos				
Limpieza del filtro con flotador de bola				
Limpieza del pad				
Limpieza del antisalpicaduras (solo para máquina de disco)				
Control y sustitución de los labios de la boquilla				
Limpieza del filtro de agua				
Limpieza del filtro de aspiración				
Control del nivel de líquido de la batería WET				
Inspección de los tornillos y tuercas			(1)	
Bajado del aislador inferior (solo para máquina orbital)			(2)	
Control o sustitución de las escobillas de carbón del motor del cepillo				(2)
Control o sustitución de las escobillas de carbón del motor de la aspiradora				(2)
Control o sustitución de las escobillas de carbón del motor del sistema de tracción				(2)

SISSEJUHATUS**ETTEVAATUST!**

Mõningad üldised ja üksikasjalikud masina andmed ei sisaldu käesolevas juhendis. Vaadake kaasasoleval CD-plaadil kiirjuhendit, mille saate avada tarkvara Adobe® Reader® kasutades.

**MÄRKUS**

Sulgudes toodud arvud viitavad masina kirjelduse peatükis loetletud komponentidele.

JUHENDI EESMÄRK JA SISU

Kiirjuhendi eesmärk on anda kasutajale kogu vajalik põhiteave masina nõuetekohaseks kasutamiseks ning lisaks teavet masina tehniliste omaduste, kasutamise, hoiustamise, varuosade, ohutute töötingimuste jms kohta. Kiirjuhendi leiata kaasasolevalt CD-plaadilt.

Enne masinaga seotud tööde tegemist peavad masina kasutajad ja kvalifitseeritud tehnikud kiirjuhendi läbi lugema. Kui teil tekib suuniste tõlgendamise osas küsimusi või vajate lisateavet, võtke meiega ühendust.

KIIRJUHENDI HOIUSTAMINE

Kiirjuhendit tuleb hoida masina lähedal sobivas ümbrises, eemal kõigist vedelikest ja muudest ainetest, mis võivad juhendit kahjustada.

VASTAVUSAVALDUS

Masinaga on kaasas vastavusavaldus, mis kinnitab selle vastavust kehtivatele seadustele.

**MÄRKUS**

Masina dokumentatsiooniga on kaasas vastavusavalduse originaali koopiad.

LISASEADMED JA HOOLDAMINE

Masina mistahes kasutamine, hooldus ja remont on lubatud üksnes kvalifitseerunud personali poolt või meie ettevõtte poolt määratud teeninduskeskuses. Kasutada on lubatud ÜKSNES autoriseeritud varuosi ja lisaseadmeid.

Lisaseadmete või varuosade vajadusel võtke ühendust meie ettevõtte teeninduskeskusega.

VAHETAMINE JA PARENDUSED

Oleme pühendunud enda toodete pidevale parendamisele ja jätame õiguse teha masina muudatusi ja parendusi ilma täiendava eelneva teavitamiseta.

KOHALDAMISALA

Küürija on sobilik kaubanduslikuks ja tööstuslikuks kasutamiseks. See sobib siledade ja tugevate põrandate puhastamiseks ning seda peab kasutama kvalifitseeritud personal, järgides ohutusnõudeid. Masin ei sobi kasutamiseks välitingimustes, vaipade puhastamiseks või karedatel põrandatel.

MASINA IDENTIFITSEERIMISANDMED

Masina seerianumber ja mudeli nimetus on markeeritud andmesildil.

Tegemist on kasuliku teabega. Kasutage masina andmete üles märkimiseks allpool asuvat tabelit. See on abiks masina varuosade tellimisel.

MASINA MUDEL.....
MASINA SEERIANUMBER.....

TRANSPORT JA LAHTIPAKKIMINE

Veenduge masina saabumisel, et pakend ja masin on terviklikud ja kahjustusteta. Mistahes kahjustuste tuvastamisel teavitage sellest transpordiettevõtjat ja enne kauba vastu võtmist veenduge, et jätate endale õiguse tekkinud kahjude hüvitamiseks.

Järgige masina lahti pakkimisel rangelt järgmiseid juhiseid.

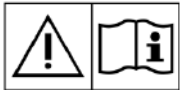
Kontrollige, et pakend sisaldaks järgnevaid esemeid:

1. Tehniline dokumentatsioon Kiirjuhend
2. Osade loend (*)
3. Akuühenduse komponendid.
4. Elektroonilise akulaadija (kui on paigaldatud) juhend (*)

OHUTUS

Järgnevaid sümboleid on käsiraamatus kasutatud, et viidata võimalikele ohtudele. Lugege seda teavet hoolikalt ja astuge vajalikke samme isikute ja vara ohutuse tagamiseks.

MASINAL NÄHTAVAD SÜMBOLID



HOIATUS!

Lugege kõiki juhiseid enne mistahes protseduuride toetamist hoolikalt.



HOIATUS!

Ärge peske masinat otsese veejoa või survega veega.



HOIATUS!

Ärge kasutage masinat kalletel, mis ületavad andmetes määratud limiite.

KIIRJUHENDIS KASUTATUD SÜMBOLID



OHT!

Viitab operaatorit surmavalt ohustavale olukorrale.



HOIATUS!

Viitab võimalikele isikuvigastustele.



ETTEVAATUST!

Viitab tähelepanu vajavale kohale või oluliste või kasulike funktsioonidega seotud märkusele. Pöörake selle sümbooliga tähistatud lõikudele erilist tähelepanu.



MÄRKUS

Viitab tähelepanu vajavale kohale või kasulikele juhenditele lisatud märkusele.



KONSULTEERIGE

Viitab kiirjuhendi lugemise vajadusele enne mis tahes toimingut tegemist.

ÜLDISED OHUTUSJUHISED

Spetsiifilised hoiatused ja tähelepanekud võimalike ohtude ja kahjude kohta isikutele ja masinale on toodud allpool.



OHT!

- Mainat võib kasutada vastava väljaõppe ja volitusega personal selle juhendi suuniseid järgides.
- Enne masina puhastamist, hooldust, remonti või varuosade vahetamist lugege hoolikalt kasutusjuhendit ja veenduge, et masin oleks välja lülitatud ning akupistik lahti ühendatud.
- Ärge kasutage masinat mürkainete, ohtlike, tuleohtlike ja/või plahvatusohtlike pulbrite, vedelike või aurude läheduses. Masin ei ole sobilik ohtlike puudrite kogumiseks.
- Ärge kandke elektriosade lähedal töötades ehteid.
- Ärge töötage ülestõstetud masina all, kui see pole ohutustagedega toetatud.
- Kui kasutate pliiaakusid (märgakud), mis eritavad tavakasutuse käigus kergestisüttivat gaasi, tuleb hoida akud eemal sädemetest, lekidest, suitsevatest materjalidest, kiirgusest, valgus- ja süüteallikatest.
- Pliiakude (märgakud) laadimisel võivad need eritada plahvatusohtlikku vesinikgaasi. Tagage laadimiskeskkonnas hea ventilatsioon ja hoidke akud lahtisest tulest eemal.



HOIATUS!

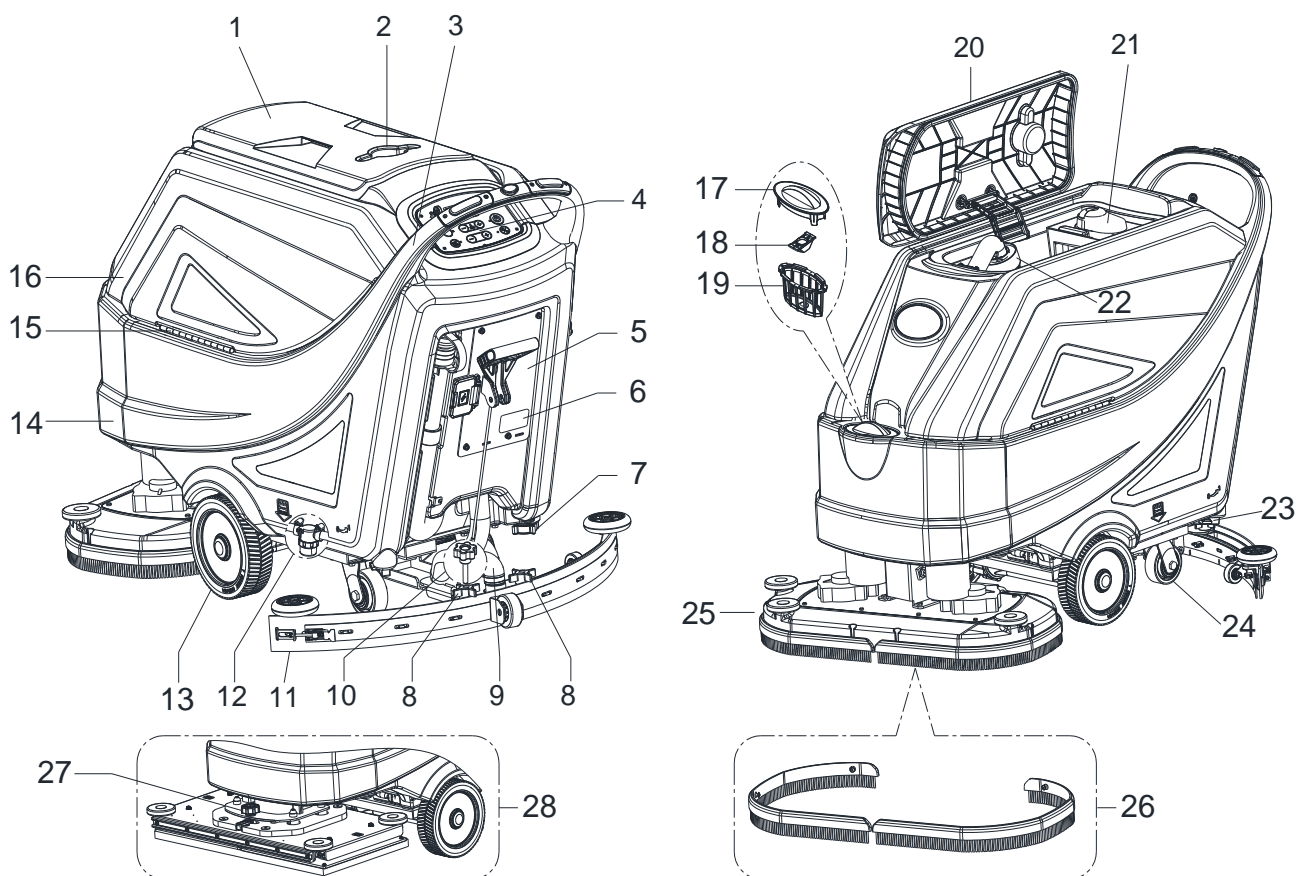
- See masin on ette nähtud kaubanduslikuks kasutuseks näiteks hotellides, koolides, haiglates, tehastes, kauplustes, kontorites ja rendiettevõtetes.
- Järelevalveta jäetud masinad tuleb fikseerida, et vältida nende juhuslikku liikumist.
- Masina volitamata kasutamise vältimiseks tuleb toiteallikas välja lülitada või lukustada, näiteks eemaldades pealüliti võtme või süütevõtme.
- Kontrollige masinat enne iga kasutuskorda hoolikalt. Veenduge, et kõik komponendid on enne kasutamist omal kohal. Vastasel juhul võib masin kahjustada isikuid ja vara.
- Enne akulaadija kasutamist veenduge, et masina seerianumbri sildile märgitud sageduse ja pinge parameetrid vastaksid vooluvõrgu parameetritele.
- Ärge kunagi liigutage masinat akulaadija kaablist tõmmates. Vältige kaabli sattumist suletud ukse alla või teravatele servadele või nurkadele. Ärge sõitke masinaga üle akulaadija kaabli. Hoidke akulaadija kaabel eemal soojusallikatest. Ärge laadige akusid, kui akulaadija kaabel või pistik on kahjustatud.
- Tule-, elektrilöögi- või vigastusohu vähendamiseks veenduge enne masina juurest lahkumist, et see oleks välja lülitatud.
- Kasutage või hoiustage masinat üksnes kuivades sisetingimustes. Masinat ei tohi kasutada välitingimustes.
- Masina töö- ja hoiustamistemperatuur peab jääma vahemikku 0 °C kuni +40 °C, õhuniiskus vahemikku 30–95%.
- Ärge kasutage masinat kallakul, mille kalle ületab tehnilistes andmetes toodud piirväärtust.
- Põranda puhastusainete kasutamisel järgige alati puhastusainete pudelile märgitud suuniseid ning kasutage sobivaid kindaid ja kaitsevarustust.
- Kasutage masinaga kaasasolevaid või kasutusjuhendis nimetatud harju ja patju. Muude harjade või patjade kasutamine võib vähendada masina ohutust.
- Masina rikete korral veenduge, et need ei oleks põhjustatud puudulikust hooldusest. Vajadusel paluge abi meie poolt autoriseeritud teeninduskeskuse volitatud personalilt.
- Rakendage kõik vajalikud ettevaatusabinõud, et vältida juuste, ehete ja lahtiste riiete sattumist masina liikuvate osade vahele.
- Ärge kasutage masinat äärmiselt tolmustes keskkondades.

- Ärge peske masinat otsese veejoa või survega veega või söövitavate ainetega.
- Ärge sõitke masinaga vastu riuleid või tellinguid, eelkõige juhul, kui esineb kukkuvate esemete oht.
- Ärge toetage masinale vedelike mahuteid, kasutage selleks ettenähtud pudelihoidjat.
- Põranda kahjustamise vältimiseks ärge laske harjal/padjal töötada, kui masin seisab paigal.
- Tulekahju korral kasutage kustutamiseks pulberkustutit. Ärge kasutage vedelikke sisaldavaid tulekustuteid.
- Ärge eemaldage masinalt kleebiseid ega tehke neile muudatusi.
- Ärge tehke masina ohutuskaitsetele muudatusi ja järgige täpselt tavapäraseid hooldussuuniseid.
- Olge masina transportimisel tähelepanelik, kui temperatuur on alla nulli. Tagasivoolu paagis ja voolikutest olev vesi võib külmuda ning põhjustada masinale tõsiseid kahjustusi.
- Kui mõni osa vajab vahetamist, tellige originaalvaruosad volitatud edasimüüjatelt või jaemüüjatelt.
- Toimetage masin hoolduskeskusesse, kui see ei tööta tavapäraselt või see saanud kahjustada, seda on kasutatud välitingimustes või see on kukkunud vette.
- Masina õige ja ohutu töö tagamiseks tuleb lasta seda volitatud personalil või volitatud hoolduskeskuses selle juhendi vastavas jaotises toodud hooldusgraafiku alusel hooldada.
- Masin tuleb kõrvaldada kasutuselt nõuetekohaselt, kuna see hõlmab mürgiseid ja kahjulikke materjale (nt akud), mis tuleb eeskirjade kohaselt toimetada selleks ettenähtud kogumispunktidest (vt jaotist kasutuselt kõrvaldamise kohta).
- Kasutage seda masinat ainult puhastamiseks ja mitte ühelgi muul otstarbel.
- Hoidke masina avad alati tolmust, juustest ja muudest õhuvoolu takistavatest võõrmaterjalidest puhtana. Ärge kasutage masinat, kui avad on ummistunud.
- Kasutage masinat ainult hästi valgustatud kohas.
- See masin ei ole mõeldud kasutamiseks piiratud füüsiliste, sensoorsete või vaimsete võimetega või kogemusteta ja teadmisteta isikutele.
- Olge laste lähedal masinat kasutades eriti tähelepanelik.
- Valvake lapsi ja hoolitsege selle eest, et nad masinaga ei mängiks.
- Vältige masina kasutamise ajal inimeste vigastamist või vara kahjustamist.
- Lapsed ei tohi masinat puhastada ja hooldada ilma järelevalveta.

MASINA KIRJELDUS

MASINA OSAD (vt joonist 1)

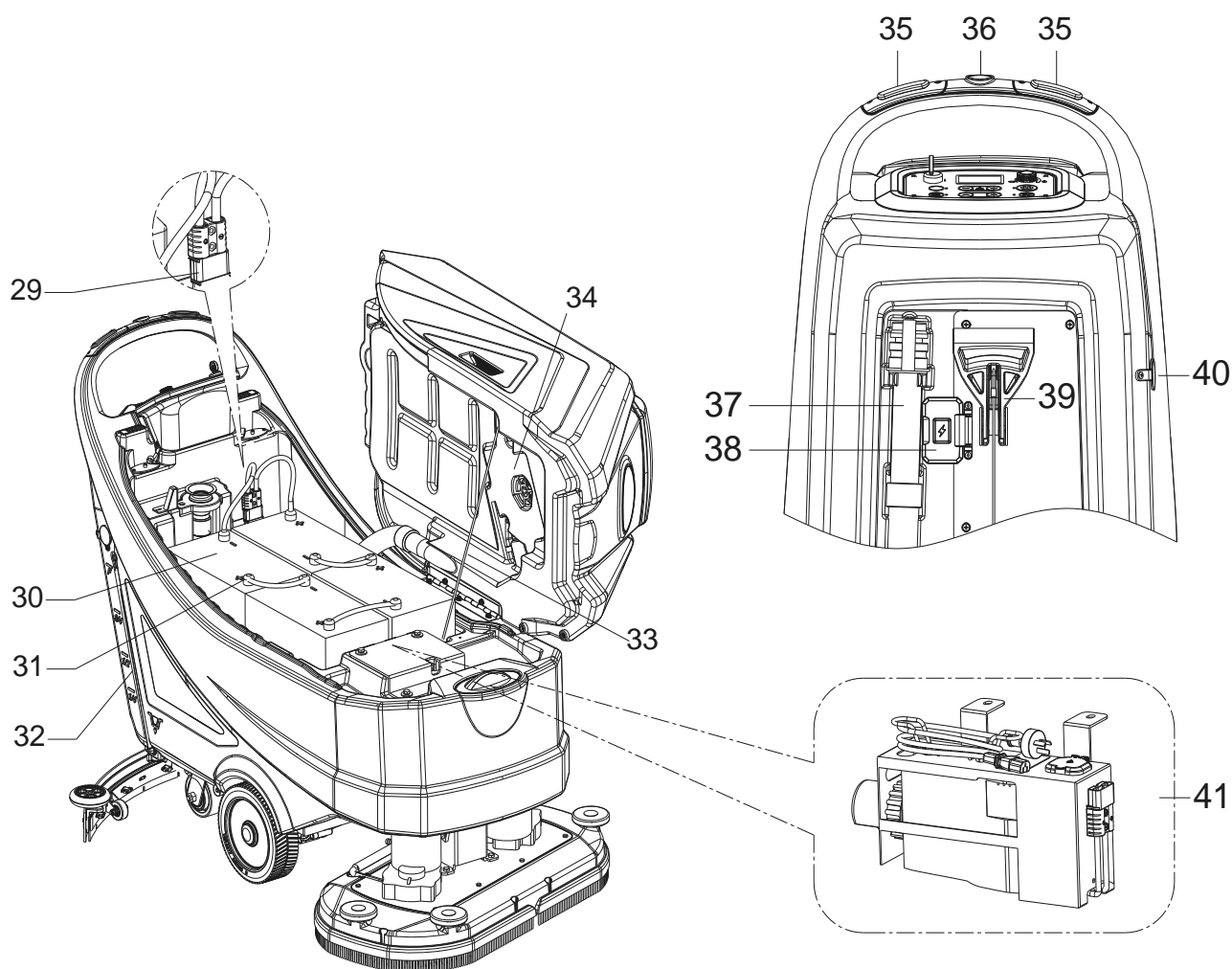
1. Tagasivoolupaagi kate
2. Pudelihooldja
3. Käepide
4. Juhtpaneel
5. Juhtkarp
6. Seerianumbri silt / tehnilised andmed
7. Väljalaske kate
8. Kaabitsa nupud
9. Kaabitsa vaakumvoolik
10. Kaabitsa tasakaalu reguleerimisnupp
11. Kaabits
12. Pesuvahendi filter
13. Sõidurattad
14. Pesuvahendi paak
15. Hing
16. Tagasivoolupaak
17. Filtri kate
18. Täitevooliku hoidik
19. Filtri tugi
20. Paagi katte tihend
21. Prahi kogumiskast
22. Ujuv kuulfilter
23. Pesuvahendi / puhta vee kraan
24. Tagumised juhtrattad
25. Harjasüsteem (ainult ketasmasina puhul)
26. Pritsmekaitse
27. Orbitaalsüsteemi reguleerimisnupp
28. Orbitaalsüsteem (ainult orbitaalmasinate puhul)



Joonis 1

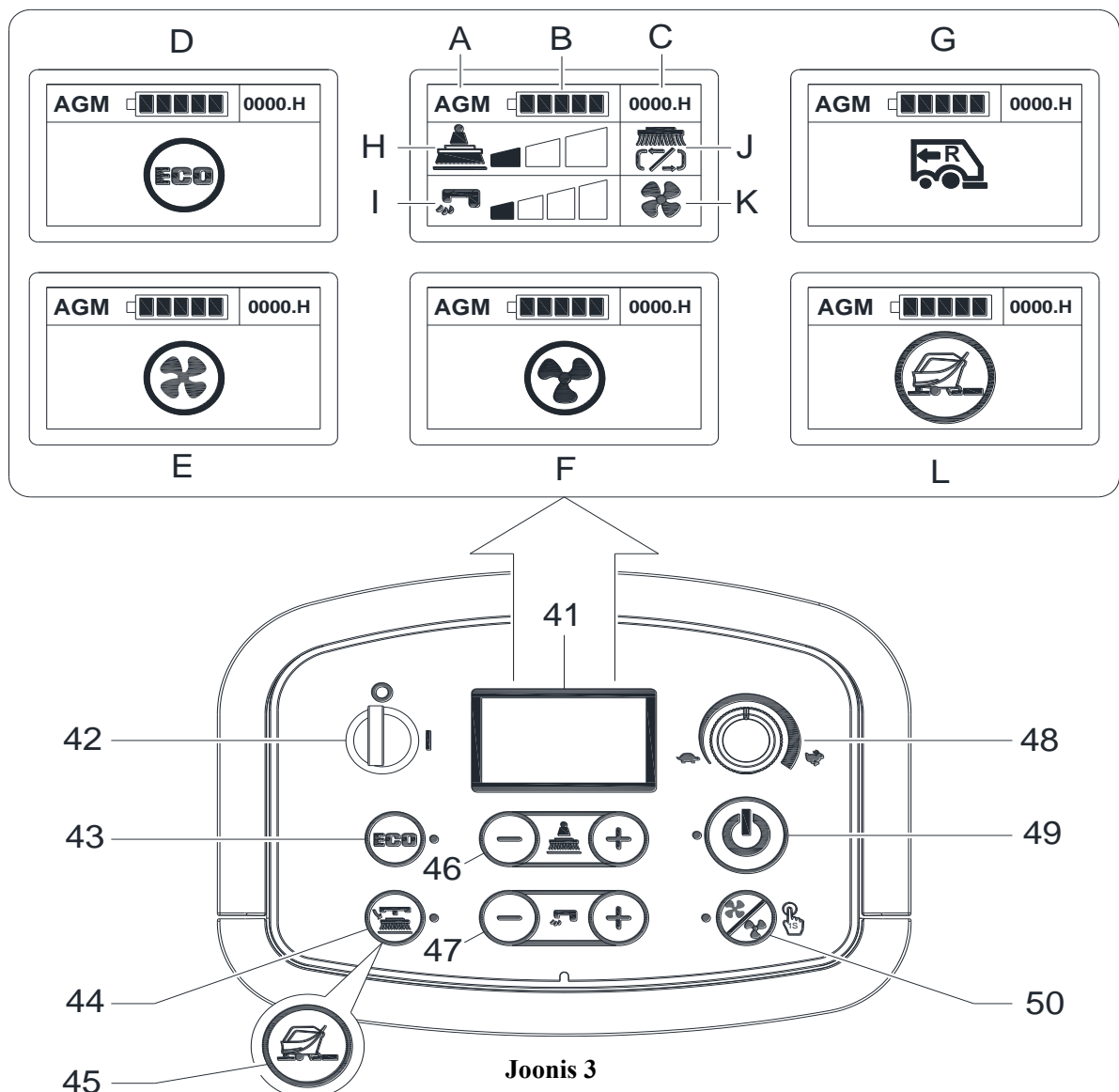
MASINA STRUKTUUR (vastavalt Joonisele 2)

- | | |
|-------------------------------|--|
| 29. Akuühendus (punane) | 36. Masina tagurduslülit |
| 30. Akud (*) | 37. Tagasivooluvee väljalaskevoolik |
| 31. Akukorgid | 38. Laadimisühenduse kaitsekate |
| 32. Veetaseme indikaatoritoru | 39. Kaabitsa tõstmise/langetamise käepide |
| 33. Paagi ohutuskaabel | 40. Pesuvahendi paagi külgmine täiteava kork |
| 34. Vaakumsüsteem | 41. Integreeritud laadija (*) |
| 35. Kaitselüliti | (*): valikuline |

**Joonis 2**

JUHTPANEEL (vt joonist 3)

41. Multifunktsionaalne ekraan
Kuvatavad elemendid:
- A) Aku tüüp
 - B) Aku laetustase
 - C) Töötundide arv
 - D) ECO-režiim
 - E) Tavaline vaakumrežiim
 - F) Vaikne vaakumrežiim
 - G) Tagurdusrežiim
 - H) Lisasurve aktiveeritud
 - I) Pesuvahendi vooluhulk
 - J) Harja töörežiim
 - K) Vaakumrežiim
 - L) Põranda eeltöötlusrežiim
42. Süütevõti (0/I)
43. ECO-režiimi nupp
- LED-tuli põleb – funktsioon on aktiveeritud
 - Veevool on minimaalne (1. tase)
 - Rõhk on minimaalne (1. tase)
 - Vaakumsüsteem on vaiksuses režiimis
44. Harja / padja hoidja vabastusnupp (ainult ketasmasinade puhul)
- LED-tuli vilgub – vabastussüsteem on aktiveeritud
45. Põranda eeltöötlustuse nupp (ainult orbitaalmasinade puhul)
- Liikumiskiirus eelseadistatud väärtusele 1 km/h
 - LED-tuli põleb – funktsioon on aktiveeritud
 - Veevool on minimaalne (1. tase)
 - Rõhk on maksimaalne (3. tase)
 - Vaakumsüsteem on tavarežiimis
46. Harja rõhu reguleerimisnupp
47. Pesuvahendi voolu reguleerimisnupp
48. Kiiruse regulaator
49. Käivitusnupp
- LED-tuli põleb – funktsioon on aktiveeritud
 - Veevool on minimaalne (1. tase)
 - Rõhk on minimaalne (1. tase)
 - Vaakumsüsteem on tavarežiimis
50. Vaakumsüsteemi reguleerimisnupp (aktiveerimiseks vajutage nuppu üks sekund)
- LED-tuli põleb – tavarežiim
 - LED-tuli vilgub – vaikne režiim



Joonis 3

TEHNILISED PARAMEETRID

Parameetri tüüp	Üksused	Mudel		
		AS6690T	AS7690T	AS7190TO
Pesuvahendi paagi maht	l/gal	85 l / 22 gal		
Tagasivoolupaagi maht	l/gal	90 l / 24 gal.		
Masina pikkus	mm/tolli	1490 mm / 59 tolli	1550 mm / 61 tolli	1490 mm / 59 tolli
Masina laius koos kaabitsaga	mm/tolli	830 mm / 33 tolli	950 mm / 38 tolli	
Masina laius ilma kaabitsata	mm/tolli	730 mm / 29 tolli	830 mm / 33 tolli	750 mm / 30 tolli
Masina kõrgus	mm/tolli	1020 mm / 40,2 tolli		
Töölaius	mm/tolli	660 mm / 26 tolli	760 mm / 30 tolli	710 mm / 28 tolli
Sõiduratta diameeter	mm/tolli	230 mm / 9 tolli		
Sõiduratta surve põrandale	N/mm ²	0,67 N/mm ²		
Tagumise ratta diameeter	mm/tolli	101 mm / 4 tolli		
Tagumise ratta surve põrandale	N/mm ²	0,82 N/mm ²		
Harja/padja diameeter	mm/tolli	330 mm x 2 / 13 tolli x 2	380 mm x 2 / 15 tolli x 2	355 x 710 mm / 14 x 28 tolli
Harja/padja surve (max)	kg/naela	32 kg / 71 naela 41 kg / 90 naela 49 kg / 108 naela	35 kg / 77 naela 43 kg / 95 naela 51 kg / 112 naela	42 kg / 93 naela 54 kg / 120 naela 65 kg / 143 naela
Pesuvahendi vool (max) seadistuse kohta	l/gal minutis	(0,9/1,5/2,2/3) liitrit (0,24/0,39/0,58/0,79) gallonit		(0,6/1,1/1,9/2,5) liitrit (0,16/0,29/0,5/0,66) gallonit
Helirõhutase	dB(A)	69 ± 3 dB(A)		
Helirõhutase ECO-režiimis või vaiksese režiimis	dB(A)	65 ± 3 dB(A)		
Käepideme vibratsioonitase (max)	m/s ²	< 2,5 m/s ²		
Ronimisvõime (max)	% kalle	2%		
Min vahekäigu mõõt	cm/tolli	155 cm / 61 tolli	165 cm / 65 tolli	160 cm / 63 tolli
Sõidumootori võimsus	W/hj	250 W / 0,33 hj		350 W / 0,47 hj
Töökiirus	km/miili tunnis	0 - 4,0 km / 0 - 2,5 miili tunnis		0 - 3,2 Km / 0 - 2,0 miili tunnis
Edasilükkumise kiirus	km/miili tunnis	0-4,0 km / 0-2,5 miili tunnis		
Tagasilükkumise kiirus	km/miili tunnis	0-2,0 km / 0-1,25 miili tunnis		
Vaakumsüsteemi mootori võimsus	W/hj	500 W / 0,66 hj		
Vaakumsüsteemi võimsus	mm/tolli H ₂ O	1500 mm / 60 tolli H ₂ O		
Vaakumsüsteemi võimsus ECO-režiimis või vaiksese režiimis	mm/tolli H ₂ O	900 mm / 35 tolli H ₂ O		
Harjamootori võimsus	W/hj	500 x 2 W / 0,66 x 2 hj		750 W / 1,0 hj
Harja kiirus tavarežiimis	p/min	200 p/min		2200 p/min
Harja kiirus ECO-režiimis	p/min	160 p/min		1600 p/min
IP-kaitseklass	IP	IP24		
Akukambri suurus koos integreeritud laadijaga (P x L x K)	mm/tolli	(620 x 385 x 390) mm / 24,4 x 15,1 x 15,3 tolli		
Akukambri suurus koos välise laadijaga (P x L x K) (*)	mm/tolli	(535 x 385 x 390) mm / 21 x 15,1 x 15,3 tolli		
Pinge	alalisvool	24 V		
Akad (*)	Ah	pole saadaval		
Aku tööaeg (standardakud) (*)	tund	kuni neli tundi		
Integreeritud laadija (*)	V/A	24 V / 25 A		
Jõudlus (max)	m ² /h	2640 m ² /h	3040 m ² /h	2272 m ² /h
Masina mass tühjade paakidega (ilma akudeta)	kg/naela	135 kg / 298 naela	138 kg / 304 naela	148 kg/326 naela
Masina kogumass	kg/naela	347 kg / 765 naela	350 kg / 772 naela	360 kg / 794 naela
Tarnemass	kg/naela	202 kg / 444 naela	205 kg / 451 naela	215 kg / 473 naela
Pakendi mõõtmed (P x L x K)	mm/tolli	(1620 x 810 x 1200 mm) / (64 x 32 x 48 tolli)	(1660 x 910 x 1200 mm) / (66 x 36 x 48 tolli)	

(*) : valikuline

TÖÖJUHEND

**HOIATUS!**

Mõnele masina osadele on kleebitud plaadid järgmiste tähistega:

- OHT!
- HOIATUS!
- ETTEVAATUST!
- KONSULTEERIGE

Käesolevat kasutusjuhendit lugedes peaks kasutaja plaatidel näidatud sümbolitele pöörama erilist tähelepanu. Ärge katke plaate kunagi kinni ja asendage kahjustatud plaadid vajadusel viivitamatult.

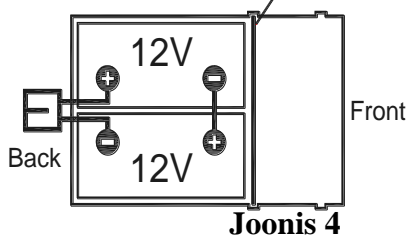
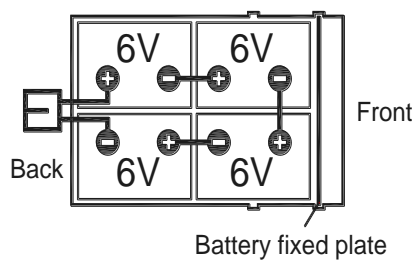
AKU KONTROLLIMINE/SEADISTAMINE UUEL MASINAL

**HOIATUS!**

Valesti paigaldatud või ühendatud akud võivad tõsiselt kahjustada masina elektroonilisi komponente. Akud tuleb paigaldada kvalifitseerunud personali poolt. Määrake elektroonikaplaadi ja integreeritud akulaadija funktsioonid vastavalt kasutatavate akude tüübile (märg- või geel-/AGM-akud). Veenduge enne akude paigaldamist, et need ei oleks kahjustatud. Ühendage lahti akuühendus ning akulaadija pistik. Olge akusid käsitledes hoolikas. Paigaldage masinaga tarnitud akuklemmide kaitsekorgid.

Akud on juba masinasse paigaldatud

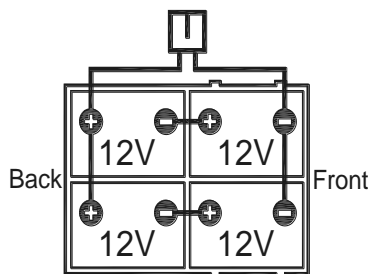
1. Veenduge, et akuühendus (29, joonis 2) oleks ühendatud.
2. Masina esmakordsel kasutamisel uute akudega laadige need täiesti täis (vt toimingut jaotises „Hooldus“).



Joonis 4

**MÄRKUS**

Masin vajab kahte 12 V akut või nelja 6 V akut, mis on ühendatud vastavalt skeemile (joonis 4). Paigaldage aku fikseeritud plaat õigesti (joonis 4).



Ilma akudeta

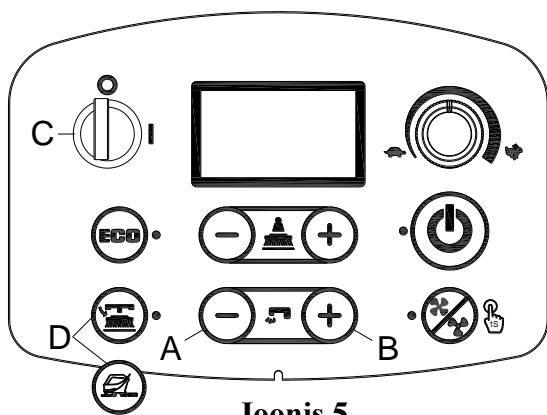
1. Ostke sobivad akud (vt jaotist „Tehnilised andmed“). Akude valimisel ja paigaldamisel valige alati kvalifitseerunud akumüüja.
2. Seadistage masinat vastavalt paigaldatud akude tüübile, nagu on kirjeldatud jaotise „Hooldus“ lõigus „Kogenud kasutaja“.

AKUDE PAIGALDAMINE JA TÜÜBI SEADISTAMINE (WET OR GEL/AGM OR DIS OR ENES)**Akude paigaldamine**

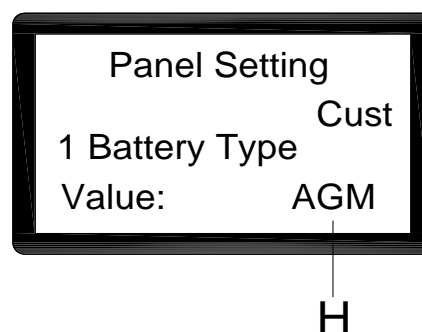
1. Avage tagasivoolupaagi kate (1, joonis 1) ja kontrollige, et tagasivoolupaak (16) oleks tühi. Kui ei ole, tühjendage see väljalaskevooliku (37, joonis 2) abil. 2)
2. Sulgege tagasivoolupaagi kate (1, joonis 1).
3. Tõstke tagasivoolupaak (16, joonis 1) ettevaatlikult üles.
4. Masinal on kaablid kahe 12 V või nelja 6 V aku paigaldamiseks. Asetage akud ettevaatlikult kambrisse, seejärel paigaldage need korralikult. Paigaldage aku fikseeritud plaat õigesti (joonis 4).
5. Paigutage ja ühendage akukaabel joonisel 4 näidatud viisil ja seejärel pingutage ettevaatlikult iga akuklemmi mutrit.
6. Asetage klemmidele kaitsekork, seejärel ühendage akuühendus (29, joonis 2).
7. Laske tagasivoolupaak (16, joonis 1) ettevaatlikult alla. 1).

Akude tüübi seadistamine (WET OR GEL/AGM OR DIS OR ENES)**Juurdepäas akurežiimi valimisele**

Seadistage masinat akude tüübi (märg- või geel-/AGM-akud) kohaselt järgmiselt.



Joonis 5

Access to select battery mode

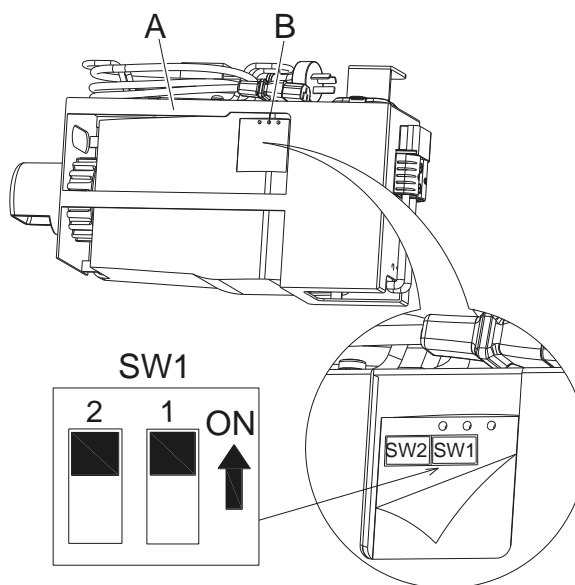
Joonis 6

1. Vajutage korraks veevoolu nuppu – (A, joonis 5) ja „-“ (B, joonis 5).
2. Sisestage süütevõti (C, joonis 5) ja keerake see asendisse I.
3. Mõne sekundi järel sisenege ekraanil akurežiimi valimise kuvale (joonis 6)
4. Vajutage veevoolu nuppu – (A, joonis 5) ja „+“ (B, joonis 5), et valida akurežiim (H, joonis 6)
5. Vajutage kettaversiooni vabastamisnuppu või orbitaalversiooni pöranda ettevalmistamisnuppu (D, joonis 5), Kolme sekundi pärast kuvatakse teade „Update OK“, mis tähendab, et seadistus õnnestus. Taaskäivitamiseks lülitage sisse. (C, joonis 5)

Akulaadija seadistamine (ainult juhul, kui on paigaldatud integreeritud laadija)**HOIATUS!**

Ärge seadistage laadijat, kui te pole saanud vajalikku väljaõpet

1. Lülitage masin välja ja eemaldage integreeritud laadija (A, joonis 7) masinalt. Seejärel eemaldage laadija kattel olev silt (B, joonis 7). Laadijas on kaks paari DIP-lüliteid (SW1 ja SW2).
2. Ainult SW1 (vasakul) DIP-lülitid mõjutavad laadimiskõvera valikut vastavalt alltoodud tabelile.



Joonis 7

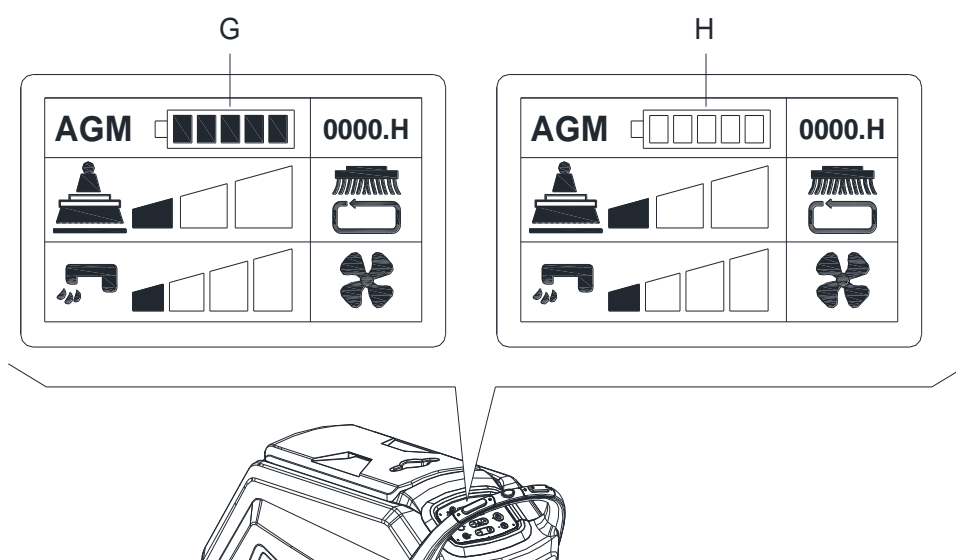
DP1	DP2	LAADIMISKÕVER
ON (SEES)	OFF (VÄLJAS)	IUIa-ACD pliihappeakude (märgakud) jaoks
OFF (VÄLJAS)	OFF (VÄLJAS)	IUIa-GEL Exide/Sonnenscheini geelakude jaoks
OFF (VÄLJAS)	ON (SEES)	IUU0-GEL teiste tootjate HAZE geel- ja AGM-akude jaoks
ON (SEES)	ON (SEES)	IUIUa-AGM Discoveri AGM-akude jaoks

Akude laadimine

Laadige akud täiesti täis (vt toimingut jaotises „Hooldus“).

Akude tühjenemine

Kui akunäidiku kõik ribad põlevad (G, joonis 8), siis on aku täis ja masin töötab tavapäraselt. Kui akunäidiku kõik ribad on kustus (H, joonis 8), siis tuleb akusid laadida. Mõni sekund pärast tühjeneva aku näidiku ilmumist lülitatakse harja / padja hoidja automaatselt välja, kuid sõidusüsteem jääb sisselülitatuks. Sõitke kohe masinaga määratud laadimisalale.



Joonis 8



ETTEVAATUST!

Kui akud on tühjad, laadige neid esimesel võimalusel, et vältida akude kasutusea lühenemist. Kontrollige akude laetust vähemalt kord nädalas.

HARJA / PADJA HOIDJA PAIGALDAMINE JA EEMALDAMINE (ainult ketasmasina puhul)**MÄRKUS**

Paigaldage kas hari (A, Joonis 9) või padjahoidja (B ja C, Joonis 9) vastavalt puhastatava põranda tüübile.

**ETTEVAATUST!**

Enne harja või padja hoidja paigaldamist veenduge, et kõik masina lülitid oleks välja lülitatud ja kaabits oleks põrandalt üles tõstetud. Kasutaja peab kasutama õnnetusohu minimeerimiseks sobivaid isikukaitsevahendeid, nt kindaid.

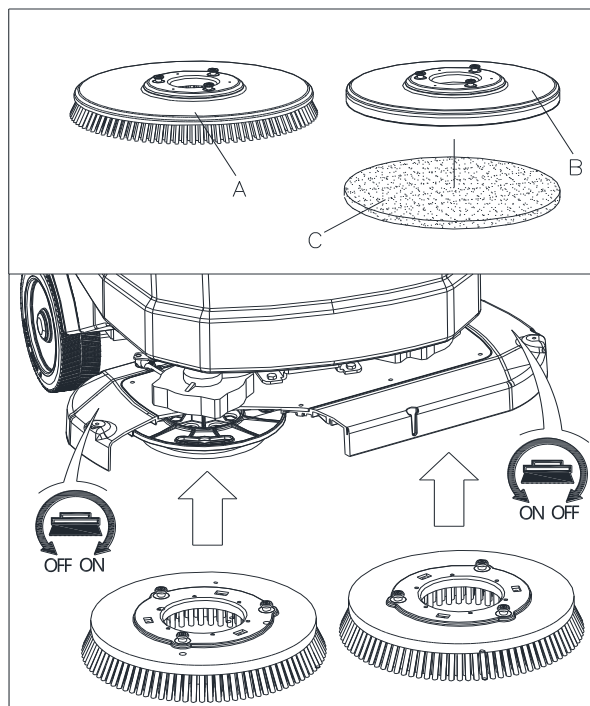
Toimige järgmiselt.

PAIGALDAMINE:

1. Sisestage süütevõti (42, joonis 3) ja keerake see asendisse I. Tõstke kate üles. Lülitage masin välja, eemaldades süütevõtme (42).
2. Keerake kiiruse regulaator (48) vastupäeva tühikäigurežiimile.
3. Paigaldage harjad (A, joonis 9) või padja hoidja (B) katte alla.
4. Paigaldamiseks pöörake harja või padja hoidjat käsitsi tavapärasele pöörlemissuunale vastassuunas. (vt joonist 9).

EEMALDAMINE:

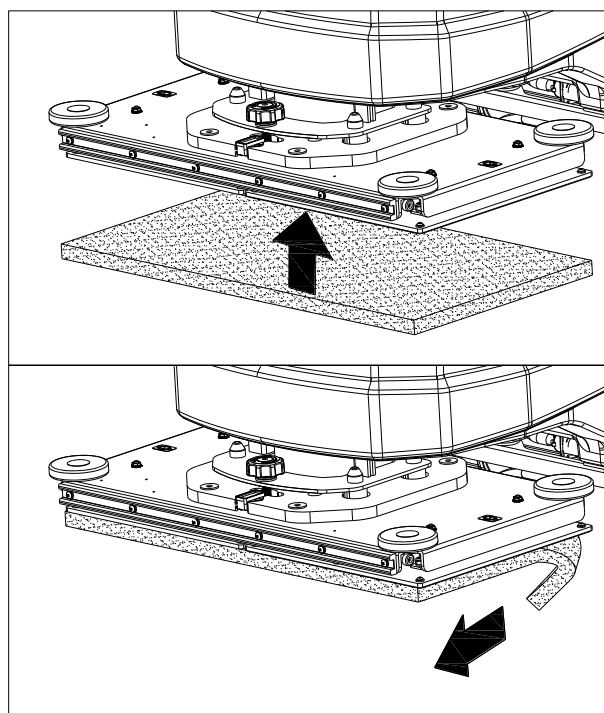
1. Sisestage süütevõti (42, joonis 3) ja keerake see asendisse I. Harja / padja hoidja eemaldamiseks vajutage harja / padja hoidja vabastusnuppu (44) ja kergitage katet. Harja / padja hoidja vabaneb automaatselt.



Joonis 9

PADJA PAIGALDAMINE JA EEMALDAMINE (ainult orbitaalmasinate puhul)

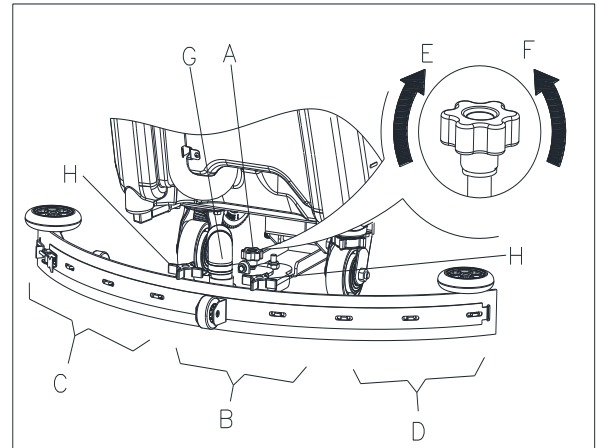
1. Sisestage süütevõti (42, joonis 3) ja keerake see asendisse I. Tõstke kate üles. Lülitage masin välja, eemaldades süütevõtme.
2. Paigaldage või eemaldage padi käsitsi (vt joonist 10).



Joonis 10

KAABITSA TASAKAALU REGULEERIMINE

1. Paigaldage kaabits ja keerake mutrid (H, joonis 11) kinni. Seejärel ühendage vaakumvoolik (G) kaabitsaga.
2. Reguleerige kaabitsat selle reguleerimiskäepideme (A, joonis 11) abil.
 - a) Kui tagumise kaabitsa laba (B) keskosa ja põranda vahel on ruumi, reguleerige nuppu (A) vastupäeva (F), kuni terve tagumine kaabits on põrandaga kontaktis ja eesmine laba puutub kergelt vastu põrandat.
 - b) Kui tagumise kaabitsa laba otsade (C ja D) ja põranda vahel on ruumi, reguleerige nuppu (A) päripäeva (E), kuni terve tagumine kaabits on põrandaga kontaktis ja eesmine laba puutub kergelt vastu põrandat.



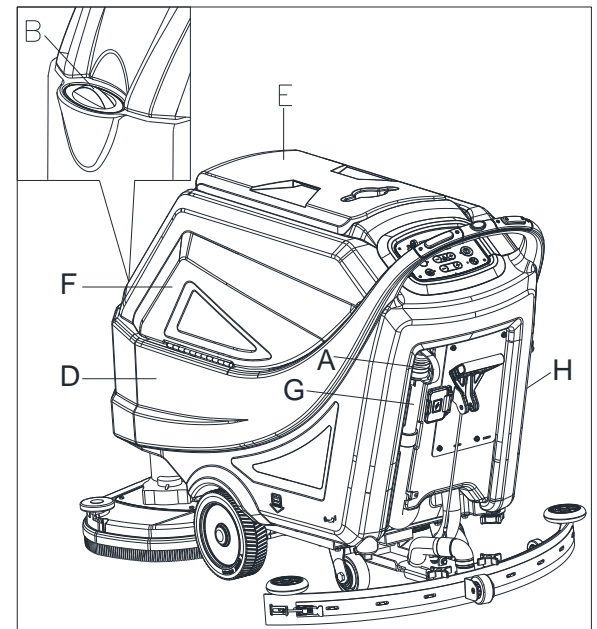
Joonis 11

PESUVAHENDI PAAGI TÄITMINE

1. Avage vee sisselaskeava kaas (B, joonis 12).
2. Täitke paak filtriga sisselaskeava kaudu vee või sobiva pesuvahendi lahusega. Pesuvahendi temperatuur ei tohi ületada +40 °C (+104 °F).
3. Ärge täitke paaki üle, vaadake veetaseme indikaatori (H) kaudu.

**HOIATUS!**

Kasutage üksnes nõrgalt vahutavaid ja mittesüttivaid puhastusaineid, mis on ette nähtud automaatseks küürimiseks.



Joonis 12

MASINA KÄIVITAMINE JA PEATAMINE**Masina käivitamine**

1. Valmistage masin ette, nagu eelmistes jaotistes kirjeldatud.
2. Sisestage süütevõti (A, joonis 13) ja keerake see asendisse I. Kontrollige ekraanil akude olekut. Vajaduse korral laadige akusid (vt toimingut jaotises „Hooldus“).
3. Sõitke masinaga tööalale.
 - Selleks vajutage ühte kaitselülitist (F), et liikuda edasisuunas, või vajutage kaitselülitit (F) ja tagurdusülitit (G), et liikuda tagasisuunas. Edasi liikumise kiirust saate reguleerida regulaatoriga (H).
4. Langetage kaabits (I) selle tõstmise/langetamise käepideme (J) abil.
5. Langetage harja / padja hoidja kate (K), vajutades käivitusnuppu (L).
6. Vajaduse korral vajutage pesuvahendi voolu juhtnuppe (O), olenevalt puhastuse tüübist.
7. Alustage puhastusega.
 - Vajutage masina liikumise aktiveerimiseks ühte kaitselülitist (F). Vajadusel saate edasi liikumise kiirust reguleerida regulaatoriga (H).

**MÄRKUS**

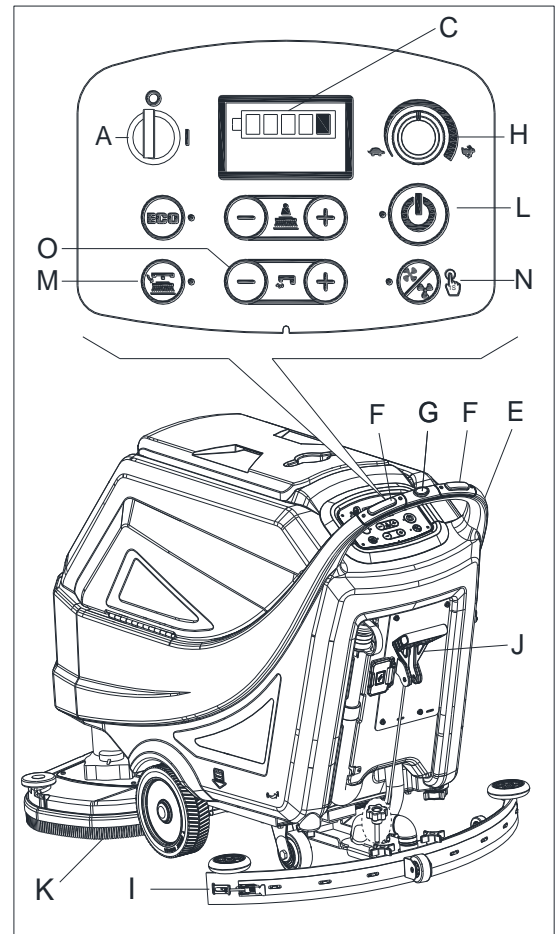
Masina edasiliikumiseks vajutage kas vasak- või parempoolset lülitit (F, Joonis 13) või mõlemat.

Masina peatamine

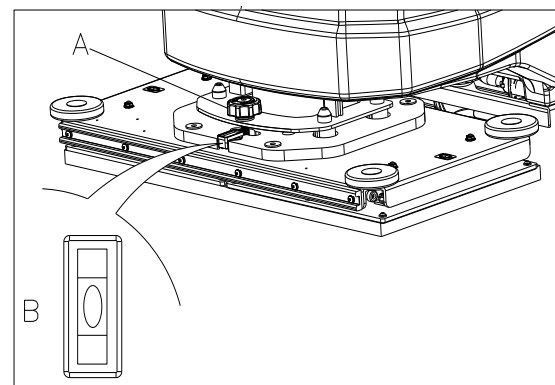
8. Masina peatamiseks vabastage kaitselülitid (F, joonis 13).
9. Harjad seiskuvad. Vaakumsüsteem peatub mõne sekundiga.
10. Tõstke harja / padja hoidja kate (K) üles, vajutades käivitusnuppu (L).
11. Tõstke kaabits (I) selle tõstmise/langetamise käepideme (J) abil.
12. Keerake süütevõti (A) asendisse „0“.
13. Veenduge, et masin ei saaks iseseisvalt liikuda.

MASINA KASUTAMINE (PUHASTAMINE JA KUIVATAMINE)

1. Käivitage masin, nagu eelmistes jaotistes kirjeldatud.
2. Hoidke all ühte kaitselülititest (35, joonis 2), liikuge masinaga ja alustage põranda puhastamist/kuivatamist.
3. Vajaduse korral peatage masin ja reguleerige kaabitsat vastavalt jaotisele „Kaabitsa tasakaalu reguleerimine“.

**Joonis 13****ORBITAALSÜSTEEMI HORISONTAALASENDI REGULEERIMINE (AINULT ORBITAALMASINATE PUHUL)**

1. Sisestage süütevõti (42) ja keerake see asendisse I. Langetage harja / padja hoidja kate (25), vajutades käivitusnuppu (49).
2. Reguleerige orbitaalsüsteemi horisontaalasendit käepideme (A, joonis 14) abil nii, et mull oleks keskel (B, joonis 14).

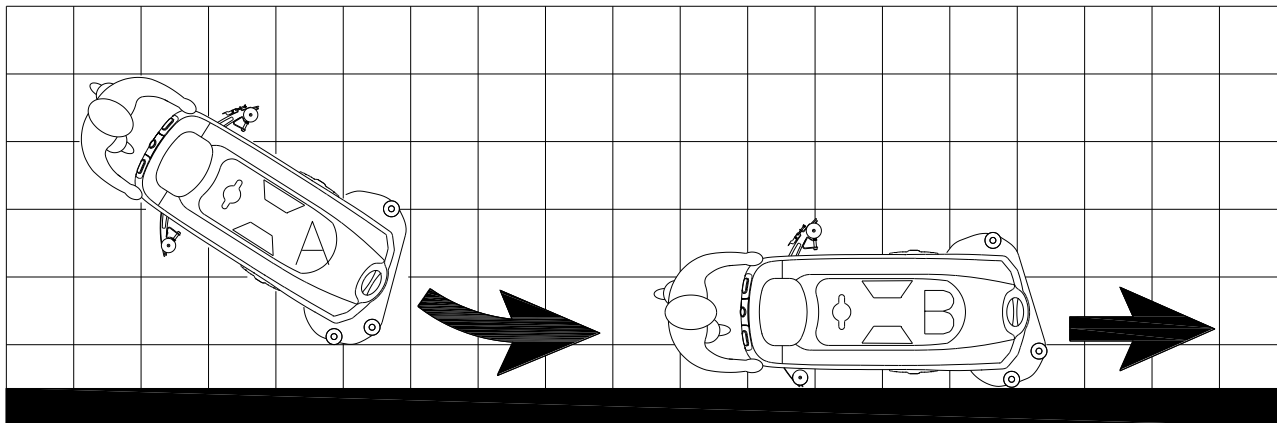
**Joonis 14**

**MÄRKUS**

Seinte ääres korralikuks puhastamiseks ja kuivatamiseks, on soovitatav läheneda seintele masina parema küljega (A ja B, Joonis 15), nagu joonisel näidatud.

**ETTEVAATUST!**

Põranda kahjustamise vältimiseks lülitage harjad / padja hoidjad välja, kui masin seisab paigal.

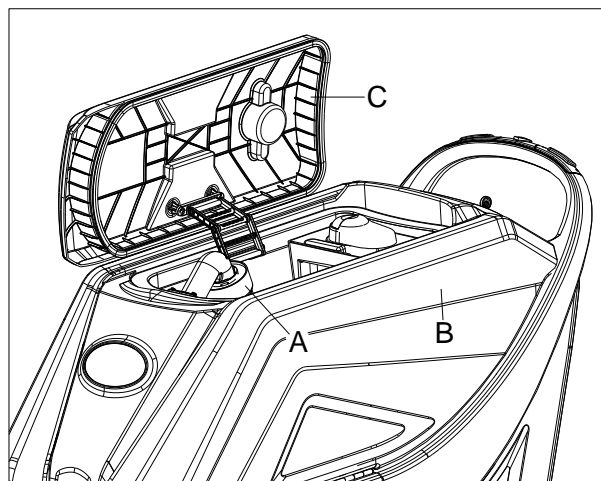
**Joonis 15****PAAGI TÜHJENDAMINE**

Automaatne ujukiga sulgemissüsteem (A, joonis 16) sulgeb vaakumsüsteemi, kui tagasivoolupaak (B) on täis. Vaakumsüsteemi töö lõpust annab märku äkiline mürataseme tõus vaakumsüsteemi müra sageduses ning kuivatamata põrand.

**ETTEVAATUST!**

Kui vaakumsüsteem lülitub välja juhuslikult (nt ujukisüsteem aktiveerub järsu liikumise tõttu), tuleb töö jätkamiseks toimida järgmiselt: lülitage vaakumsüsteem lüliti (50, joonis 3) abil välja, avage kate (C, joonis 16) ja veenduge, et süsteemis (A) olev ujuk oleks tagasi vee pinnal. Sulgege kate (C) ja lülitage vaakumsüsteem lüliti (50, joonis 3) abil sisse.

Kui tagasivoolupaak (B, joonis 16) on täis, tühjendage see järgmiselt.

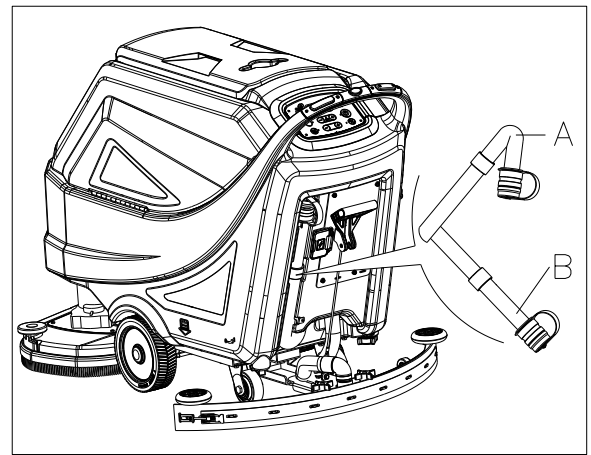
**Joonis 16**

Tagasivoolupaagi tühjendamine

1. Peatage masin.
2. Tõstke harja / padja hoidja kate (25, joonis 1) üles, vajutades käivitusnuppu (49, joonis 3), või taaskäivitage masin süütevõtmega (42, joonis 3).
3. Tõstke kaabits (11, joonis 1) selle tõstmise/langetamise käepideme (39, joonis 2) abil üles.
4. Sõitke masinaga määratud tühjendusale.
5. Tühjendage tagasivoolupaak vooliku (A, joonis 17) kaudu. Seejärel loputage paaki (B, joonis 16) puhta veega.

**ETTEVAATUST!**

Heitvee väljalaskmiseks tuleb heitvee vaakumtoru kokku voltida (A, joonis 17) ja seada alumisse asendisse (B, joonis 17). Seejärel avage vaakumtoru kate, et heitvesi välja lasta. Ärge suunake jäätmete eemaldamiseks kasutatava vaakumtoru otsa ülespoole ega üritage vett vertikaalselt eemaldada. Sedasi väldite heitvee pritsimist kasutaja peale.

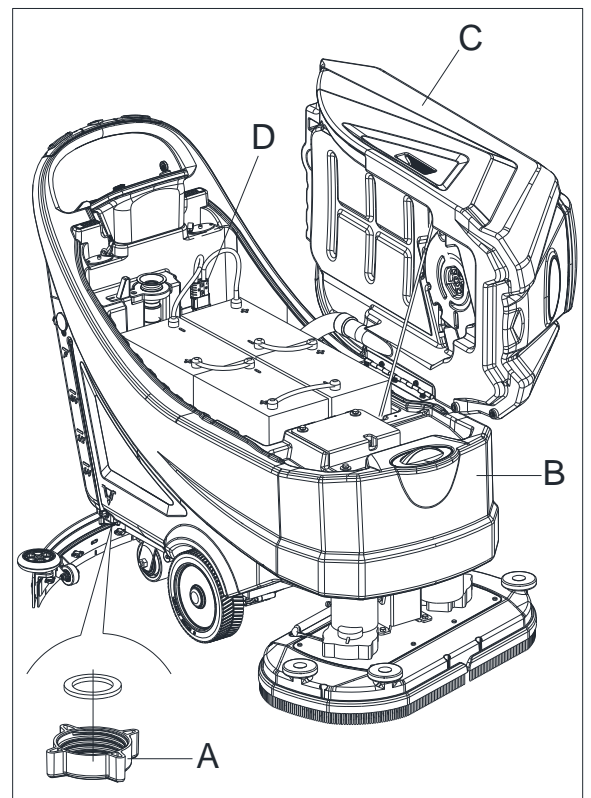
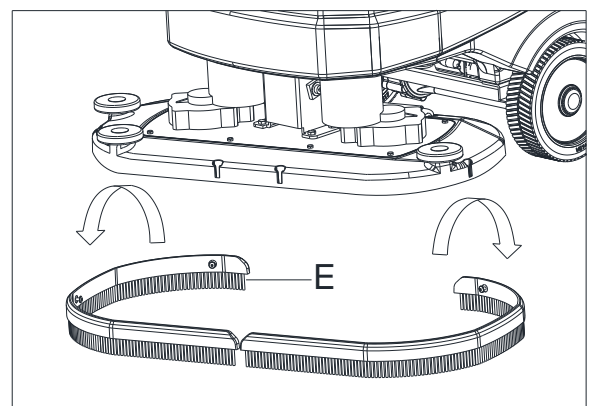
**Joonis 17****Pesuvahendi / puhta vee paagi tühjendamine**

1. Tühjendage pesuvahendi paak väljalaskeava (A, joonis 18) kaudu. Pärast tööd loputage paaki puhta veega.

PÄRAST MASINA KASUTAMIST

Pärast tööd ja enne masina juurest lahkumist:

1. Eemaldage harjad / padja hoidjad, vajutades vabastusnuppu (44, joonis 3), ja puhastage need (ainult ketasmasinate puhul).
2. Eemaldage pritsmekaitse (E, joonis 19) ja puhastage see. (ainult ketasmasinate puhul).
3. Eemaldage padi ja puhastage see. (ainult orbitaalmasinate puhul).
4. Tühjendage paagid (B ja C, joonis 18), nagu eelmises jaotises kirjeldatud.
5. Tehke igapäevane hooldus (vt jaotist „Hooldus“).
6. Hoiustage masinat puhtas ja kuivas keskkonnas nii, et harjad / padja hoidjad ning kaabits oleks üles tõstetud või eemaldatud.

**Joonis 18****Joonis 19**

MASINA HOIUSTAMINE PIKAAJALISE KASUTUSPAUSI KORRAL

Kui masinat 30 päeva jooksul ei kasutata, toimige järgmiselt:

1. Tehke jaotises „Pärast masina kasutamist“ kirjeldatud toimingud.
2. Ühendage aku (29, joonis 2) lahti.

ESIMENE KASUTUSKORD

Pärast esimest kaheksat töötundi kontrollige masina kinnitusi ja ühendusi ning veenduge, et need on korralikult kinni. Kontrollige nähtavate osade kulumist ja lekkeid.

HOOLDUS**HOIATUS!**

Hooldustööde tegemiseks tuleb masin välja lülitada ja akulaadija kaabel lahti ühendada. Lisaks sellele tuleb hoolikalt lugeda käesoleva kasutusjuhendi ohutust puudutavaid peatükke.

Mistahes plaanipärane või erakorraline hooldus ja remont on lubatud üksnes kvalifitseerunud personali poolt või meie autoriseeritud teeninduskeskuses. Kasutusjuhendis on kirjeldatud üksnes üldisi ja tavapäraseid hooldusprotseduure.

Hooldusprotseduuride, mis ei ole kirjas allolevas hooldustabelis, kirjeldused leiate hooldusjuhendist, mis on saadaval meie ettevõtte teeninduskeskustes.

PLANEERITUD HOOLDUSTÖÖDE GRAAFIK**ETTEVAATUST!**

Tähisega (1) protseduurid tuleb teostada pärast masina esimest üheksat 8 töötundi. Tähisega (2) protseduurid tuleb teostada meie ettevõtte poolt kvalifitseeritud teeninduskeskuses.

Protseduur	Puhastage pärast igat kasutuskorda	Iga nädal	Igal poolaastal	igal aastal
Akude laadimine				
Kaabitsa puhastamine				
Harja või padjahoidja puhastamine				
Paakide puhastamine				
Paakide tihendite kontroll				
Ujuva kuulfiltri puhastamine				
Padja puhastamine				
Pritsmekaitsme puhastamine (ainult ketasmasinate puhul)				
Kaabitsa labade kontrollimine ja vahetamine				
Puhastusvee filtri puhastamine				
Imufiltri puhastamine				
WET aku vedelikutaseme kontroll				
Kruvide ja mutrite kinnituste kontroll			(1)	
Alumine isolaator ((ainult orbitaalmasinate puhul))			(2)	
Harjamootori süsinikharjade kontrollimine või asendamine				(2)
Vaakumsüsteemi mootori süsinikharjade kontrollimine või asendamine				(2)
Sõidusüsteemi mootori süsinikharjade kontrollimine või asendamine				(2)

JOHDANTO**HUOMIO!**

Tämä opas sisältää vain osan laitetta koskevista ohjeista ja tiedoista.
Katso PIKAKÄYNNISTYSOPAS-käsikirjaa, joka toimitetaan Adobe® Reader® CD-ROM:lla.

**HUOMAUTUS**

Sulkeissa esitetyt numerot ovat Laitteen kuvaus -luvussa esitettyjä osanumeroita.

OPPAAN SISÄLTÖ JA TARKOITUS

Tämän pika-aloitussoppaan tarkoituksena on antaa kuljettajalle kaikki perustiedot koneen oikean käytön kannalta. Ja tietoja teknisistä ominaisuuksista, käytöstä, koneen käyttämättömyydestä, varaosista ja turvallisuusolosuhteista jne., katso toimitetun PIKAKÄYNNISTYSOPAS-käsikirjaa, joka toimitetaan CD-ROM:lla.

Ennen kuin suoritat mitään toimenpiteitä koneella, käyttäjien ja pätevien teknikkojen on luettava pikaohje. Ota yhteyttä yritykseen, jos sinulla on epäilyksiä ohjeiden tulkinnasta tai lisätietoja.

KUINKA SÄILYTTÄÄ TÄMÄ PIKAKÄYNNISTYSOPAS

Säilytä tätä opasta laitteen välittömässä läheisyydessä ja asianmukaisesti suojattuna. Pidä opas etäällä nesteistä ja muista aineista, jotka saattaisivat vahingoittaa sitä.

VAATIMUSTENMUKAISUUSVAKUUTUS

Laitteen mukana toimitetaan vaatimustenmukaisuusvakuutus, joka toimii vakuutena siitä, että laite on voimassa olevan lainsäädännön mukainen.

**HUOMAUTUS**

Kopio alkuperäisestä vaatimustenmukaisuusvakuutuksesta sisältyy laitteen mukana toimitettaviin asiakirjoihin.

OSAT JA HUOLTO

Laitetta saavat korjata ja huoltaa ainoastaan asianmukaisen koulutuksen saaneet henkilöt tai yrityksemme viralliset huoltoliikkeet. Laitteessa tulee käyttää AINOASTAAN valmistajan omia tai valmistajan hyväksymiä varusteita ja varaosia.

Ota yhteys yhtiömme asiakaspalveluun, mikäli tarvitset apua varusteiden tai lisäosien hankintaan.

MUUTOKSET JA PARANNUKSET

Olemme sitoutuneet kehittämään tuotteitamme jatkuvasti ja varaamme oikeuden tehdä laitteeseen muutoksia ja parannuksia ilman erillistä ilmoitusta.

KÄYTTÖTARKOITUKSET

Tämä lattianperuskone on tarkoitettu kaupalliseen ja teolliseen käyttöön. Laite sopii kovien ja tasapintaisten lattioiden puhdistukseen. Käyttöolosuhteiden tulee olla turvalliset ja laitetta saavat käyttää ainoastaan asianmukaisen koulutuksen saaneet henkilöt. Laite ei sovellu ulkokäyttöön tai epätasaisten lattioiden tai mattojen puhdistamiseen.

LAITTEEN TUNNISTETIEDOT

Laitteen sarjanumero ja mallin nimi on ilmoitettu siihen kiinnitettyssä tunnistetarrassa.

Nämä tiedot ovat tärkeitä ja saatat tarvita niitä. Kirjoita tarraan merkityt tiedot alla oleville riveille, jotta ne ovat helposti saatavilla, mikäli sinun on tilattava laitteeseen varaosia.

KONEEN MALLI.....
KONEEN SARJANUMERO.....

KULJETTAMINEN JA PAKKAUKSEN AVAAMINEN

Kun vastaanotat laitteen, varmista, että laite ja sen pakkaus ovat asianmukaiset ja vahingoittumattomat. Mikäli havaitset vaurioita, kerro niistä laitteen kuljettaneelle taholle ennen tuotteen vastaanottamista.

Noudata pakkauksessa ilmoitettuja ohjeita pakkausta avatessasi.

Varmista, että pakkaus sisältää kaikki seuraavat tuotteet:

1. Tekniset asiakirjat/pikakäynnistysopas
2. Osaluettelo (*).
3. Akun liitäntä.
4. Sähköisen akkulaturin käyttöohje (jos asennettu) (*)

TURVALLISUUS

Seuraavat symbolit ilmoittavat tilanteista, jotka saattavat aiheuttaa vaaran. Lue nämä tiedot huolellisesti, ja varmista, että olet tehnyt kaikki sellaiset toimet, jotka ovat välttämättömiä henkilövahinkojen ja aineellisten vahinkojen välttämiseksi.

LAITTEESSA OLEVAT VAROITUSMERKINNÄT**VAROITUS!**

Lue kaikki laitteen käyttöohjeet huolellisesti ennen laitteen käyttämistä.

**VAROITUS!**

Älä pese laitetta painepesurilla tai suihkuta vettä suoraan sitä kohti.

**VAROITUS!**

Älä käytä laitetta pinnoilla, joiden kaltevuus ylittää ohjeissa ilmoitetun suurimman sallitun kaltevuuden.

SYMBOLIT, JOTKA TULEVAT NÄKYVIIN PIKAKÄYNNISTYSOPPAASSA**VAARA!**

Uhkaava vaaratilanne, joka voi aiheuttaa käyttäjälle kuolemanvaaran.

**VAROITUS!**

Ilmoittaa henkilövahinkojen riskistä.

**HUOMIO!**

Ilmoittaa laitteen käyttöön tai toimintoihin liittyvästä varoituksesta tai huomautuksesta. Kiinnitä erityistä huomiota tällä merkinnällä varustettuihin kappaleisiin.

**HUOMAUTUS**

Ilmoittaa laitteen käyttöön tai toimintoihin liittyvästä huomautuksesta.

**TARKISTA OHJEET**

Se osoittaa, että on tarpeen viitata pikaoppaan käsikirjaan ennen toimenpiteiden suorittamista.

YLEISET TURVAOHJEET

Ihmisiin ja laitteeseen mahdollisesti aiheutuvia vahinkoja koskevat erityiset varoitukset ja huomautukset on esitetty alla.



VAARA!

- Laitetta saavat käyttää ainoastaan asianmukaisen koulutuksen ja käyttöön vaadittavat luvat omaavat henkilöt, ja käytön on tapahduttava käyttöoppaan ohjeiden mukaisella tavalla.
- Ennen kuin puhdistat, huollat tai korjaat laitetta tai vaihdat siihen osia, lue laitteen käyttöopas huolellisesti ja varmista, että laitteen kytkimet ovat OFF-asennossa ja että akun liitin on irrotettu.
- Älä käytä laitetta minkään myrkyllisten, vaarallisten, tulenarkojen ja/tai räjähdysherkkien pölyjen, nesteiden tai kaasujen läheisyydessä. Laite ei sovellu vaarallisten pölyjen keräämiseen.
- Älä käytä koruja, kun työskentelet sähköisten komponenttien läheisyydessä.
- Jos työskentelet laitteen alla, varmista, että laite on asetettu turvatukien varaan.
- Lyijyä sisältävistä (WET-) akuista saattaa päästä tulenarkaa kaasua käytön aikana. Pidä akut etäällä kipinöistä, avotulesta ja savuavista materiaaleista sekä säteilevistä, hohtavista ja palavista esineistä.
- Lataamisen aikana lyijyä sisältävistä (WET)-akuista saattaa päästä räjähdysherkkää vetykaasua. Lataaminen on tämän vuoksi suoritettava hyvin ilmastoidussa tilassa ja kaukana avotulesta.



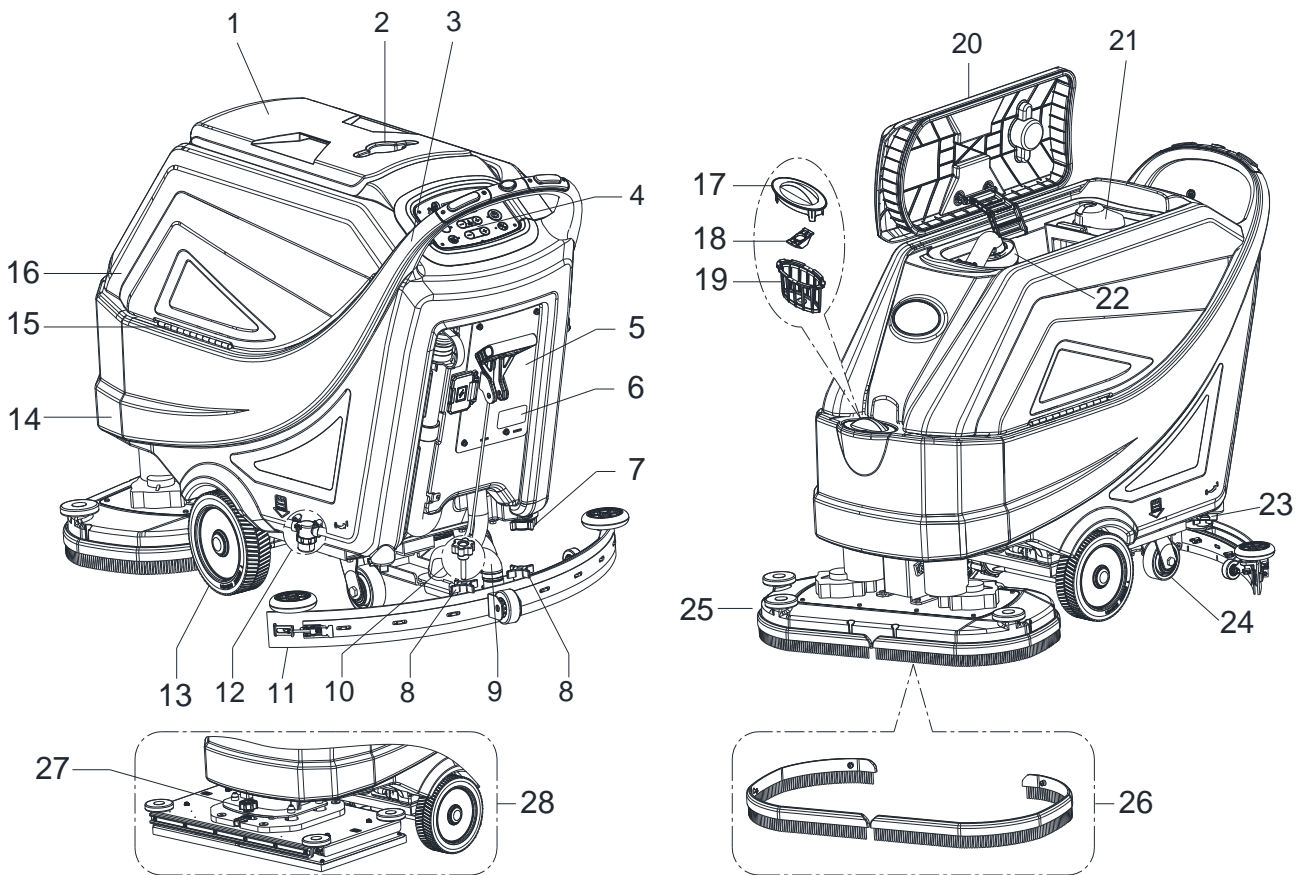
VAROITUS!

- Tämä kone on tarkoitettu KAUPALLISEEN KÄYTTÖÖN, esimerkiksi hotelleissa, kouluissa, sairaaloissa, tehtaissa, kaupoissa, toimistoissa ja vuokrausyrityksissä.
- Valvomattomat koneet on varmistettava tahattomalta liikkeeltä.
- Koneen luvattoman käytön estämiseksi virtalähde on kytkettävä pois päältä tai lukittava esimerkiksi poistamalla pääkytkimen avain tai virta-avain.
- Tarkista laite huolellisesti ennen jokaista käyttökertaa. Varmista, että kaikki laitteen osat ovat tiukasti paikoillaan ennen kuin käytät laitetta. Tämän ohjeen noudattamatta jättämisestä saattaa seurata henkilö- tai aineellisia vahinkoja
- Ennen kuin käytät akkulaturia, varmista, että laitteen merkintätarrassa ja laturin ulostulovirtaa koskevissa merkinnöissä olevat taajuutta ja volttimäärää koskevat merkinnät ovat yhdenmukaisia.
- Älä koskaan siirrä laitetta akun latausjohdosta vetämällä. Älä ohjaa johtoa suljetun oven välistä tai kiristä sitä tiukalle teräviä reunoja tai kulmia vasten. Älä kuljeta laitetta akun latausjohdon yli. Pidä akun latausjohto etäällä kuumista pinnoista.
Älä lataa laitetta, mikäli akun latausjohto tai latausjohdon pistoke on vaurioitunut.
- Tulipalon, sähköiskun ja vammojen välttämiseksi varmista, että laite on sammutettu, kun poistut laitteen luota.
- Säilytä laitetta kuivassa sisätilassa. Laitetta ei ole sallittu ulkokäyttöön.
- Laitetta tulee käyttää ja säilyttää ainoastaan tiloissa, joiden lämpötila on 0 - 40 °C ja joiden ilmankosteus on välillä 30 % - 95 %.
- Älä käytä laitetta pinnoilla, joiden kaltevuus ylittää ohjeissa ilmoitetun suurimman sallitun kaltevuuden.
- Käyttäessäsi ja käsitellessäsi lattianpesuaineita noudata aineiden pakkauksissa esitettyjä ohjeita ja käytä asianmukaisia suojakäsineitä ja -varusteita.
- Käytä ainoastaan laitteen mukana toimitettuja tai sen ohjeissa ilmoitettuja harjoja ja laikkoja. Muiden harjojen ja laikkojen käyttö saattaa heikentää käyttöturvallisuutta.
- Mikäli laitteessa ilmenee toimintahäiriö, varmista aluksi, ettei häiriö johdu puutteellisiksi jääneistä huoltotoimenpiteistä. Mikäli tarpeen, ota yhteys asianmukaiseen huoltohenkilöstöön tai viralliseen huoltopisteeseen.
- Varmista aina, ettei hiuksia, koruja tai löysiä vaatteita pääse laitteen liittyvien osien väliin.
- Älä käytä laitetta erityisen pölyisissä ympäristöissä.

- Älä pese laitetta painepesurilla, vesisuihkulla tai millään syövyttävällä aineella.
- Vältä törmäämistä hyllyihin tai telineisiin, etenkin mikäli näillä on esineitä, jotka voivat pudota.
- Älä aseta nesteastioita laitetta vasten tai sen päälle. Pidä astiat asianmukaisissa pidikkeissään.
- Lattivaurioiden välttämiseksi käytä laitteen harjaa/laikkaa ainoastaan silloin, kun laite on liikkeessä.
- Tulipalon sattuessa: käytä jauhesammutinta palon sammuttamiseen. Älä käytä nestettä sisältäviä sammuttimia.
- Älä poista tai muokkaa laitteeseen kiinnitettyjä tarroja.
- Älä poista tai muokkaa laitteen turvasuojuksia ja noudata tarkkaan kaikkia laitetta koskevia huolto-ohjeita tunnollisesti.
- Ole erityisen varovainen, mikäli kuljetat laitetta lämpötilan ollessa alle nolla astetta. Likavesisäiliössä ja letkuissa oleva vesi saattaa jäätymä, minkä seurauksena laite voi vaurioitua vakavasti.
- Mikäli laitteeseen tulee vaihtaa osia, tilaa asianmukaiset ja ALKUPERÄISET varaosat valtuutetulta jälleenmyyjältä tai maahantuojalta.
- Mikäli laite ei toimi asianmukaisella tavalla, tai mikäli se on vaurioitunut, pudonnut veteen tai ollut pitkään ulkona, toimita se asianmukaiseen huoltoliikkeeseen tarkistamista varten.
- Jotta laite toimisi asianmukaisella ja turvallisella tavalla, sitä on huollettava asianmukaisen huoltohenkilöstön tai valtuutetun huoltoliikkeen toimesta tämän oppaan huoltoa koskevassa luvussa esitetyn huolto-ohjelman mukaisella tavalla.
- Laite on hävitettävä näissä ohjeissa esitetyllä tavalla, sillä laite sisältää haitallisia aineita (esim. akut), jotka lakien ja määräysten mukaan tulee toimittaa asianmukaisiin keräyspisteisiin (kts. luku Hävittäminen).
- Tämä laite on tarkoitettu ainoastaan puhdistusvälineeksi, eikä sitä ole tarkoitettu mihinkään muuhun käyttöön.
- Pidä pöly, hiukset tai muut vieraat aineet etäällä laitteen ilmanvaihtoaukoista, jotta laitteen ilmanvaihto toimii asianmukaisesti. Älä käytä laitetta, mikäli ilmanvaihtoaukot ovat tukkeutuneet.
- Käytä laitetta vain hyvin valaistuissa tiloissa.
- Tätä konetta ei ole tarkoitettu käyttämään henkilöitä (mukaan lukien lapset), joilla on heikentyneet fyysiset, aisti- tai henkiset kyvyt tai joilla ei ole kokemusta ja tietoja.
- Tarkka tarkkaavaisuus on tarpeen käytettäessä lasten lähellä.
- Älä anna lasten leikkiä laitteella.
- Varmista, ettei laitteen käytöstä aiheudu henkilö- tai aineellisia vahinkoja.
- Lapset eivät saa puhdistaa ja huoltaa käyttäjiä ilman valvontaa.

LAITTEEN KUVAUS KONEEN RAKENNE (esitetty Kuvassa 1)

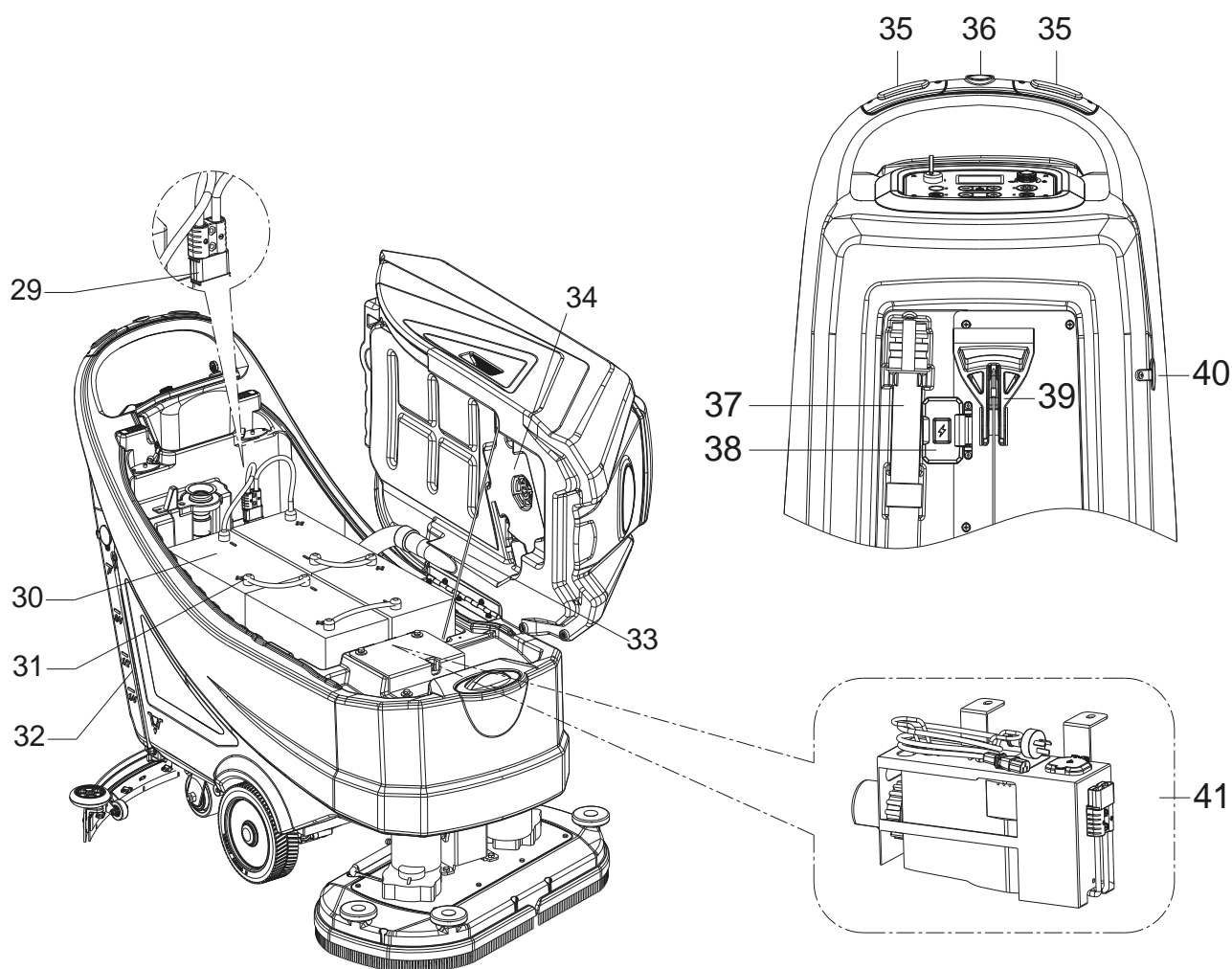
- | | |
|-------------------------------------|---|
| 1. Talteenottosäiliön kansi | 15. Sarana |
| 2. Tölkkilinet | 16. Talteenottosäiliö |
| 3. Vetotanko | 17. Suodattimen kansi |
| 4. Ohjauspaneeli | 18. Täyttöletkun pidike |
| 5. Ohjausyksikkö | 19. Suodattimen tuki |
| 6. Sarjanumero/tekniset tiedot | 20. Säiliön kannen tiiviste |
| 7. Poistoaukon kansi | 21. Roskien keräämislaatikko |
| 8. Imulastan nupit | 22. Uimuripallosuodatin |
| 9. Imulastan imuletku | 23. Liuoksen/puhtaan veden hana |
| 10. Imulastan tasapainon säätönappi | 24. Ohjaavat takapyörät |
| 11. Imulasta | 25. Harjajärjestelmä (vain levykoneeseen) |
| 12. Liuossuodatin | 26. Roiskeläppä |
| 13. Vetopyörät | 27. Orbitaalipään säätönappi |
| 14. Liuossäiliö | 28. Orbitaalijärjestelmä (vain orbitaalikoneelle) |



Kuva 1

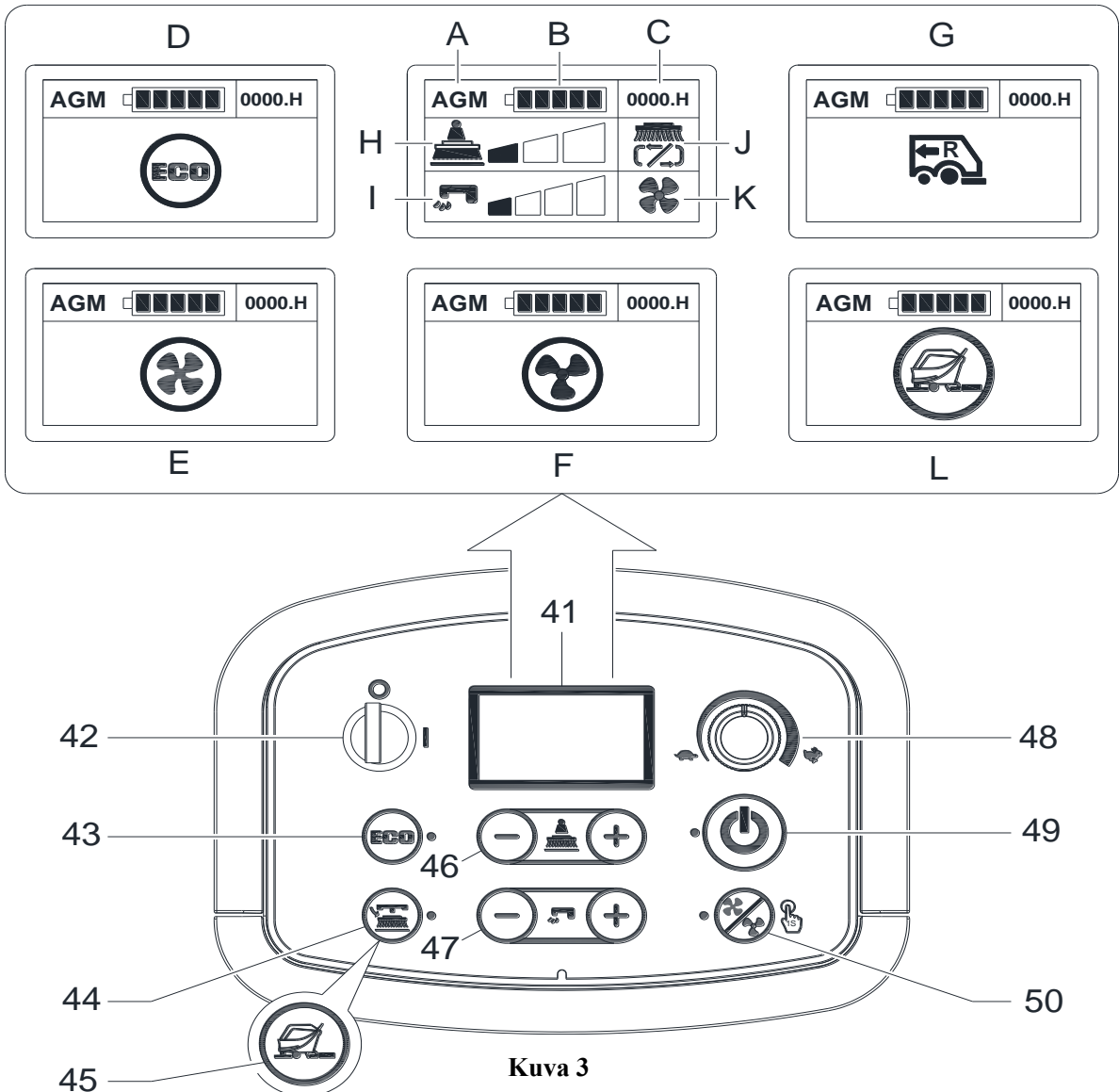
KONEEN RAKENNE (esitetty kuvassa 2)

29. Akun liitin (punainen).
 30. Akut (*)
 31. Akun tulpat
 32. Vedenkorkeuden ilmaisinputki
 33. Säiliön turvavaijeri
 34. Tyhjiöjärjestelmä
 35. Turvakytin
 36. Koneen peruutuskytkin
 37. Veden tyhjennysletku
 38. Latausliitännän suojakansi
 39. Imulastan nosto-/laskuvipu
 40. Liuoksen tankkisivun täyttöaukon korkki
 41. Sisäinen laturi (*)
 (*): Valinnainen

**Kuva 2**

OHJAUSPANEELI (näytetään Kuvassa 3)

41. Monitoiminäyttö
Näytetyt kohdat:
A) Akun tyyppi
B) Akun lataustaso
C) Tunteja työskennelty
D) EKO-tila
E) Tyhjiö normaalitila
F) Tyhjiö hiljainen tila
G) Peruutustila
H) Lisäpaine aktiivinen
I) Pesuaineliuoksen virtausmäärä
J) Harjan työtila
K) Tyhjiötila
L) Lattian esivalintatila
42. Virta-avain (0 - I)
43. EKO-tilan painike
• LED alhaalla -toiminto aktivoitu
• veden virtaus minimissä (taso 1)
• paine minimissä (taso 1)
• Tyhjiö hiljainen-tilassa
44. Harja/laikkapään palautuspainike (vain levykoneeseen)
• Vilkkuva LED-vapautusjärjestelmä aktivoitu
45. Lattian valmistelupainike (vain orbitaalikoneelle)
• Ajonopeuden esiasetus arvoon 1 km/tunti
• LED alhaalla -toiminto aktivoitu
• veden virtaus minimissä (taso 1)
• paine maksimissa (taso 3)
• Tyhjiö normaali-tilassa
46. Harjan paineen säätöpainike
47. Liuoksen virtauksen säätöpainike
48. Nopeuden asettaja
49. Yhden painikkeen käynnistys
• LED alhaalla -toiminto aktivoitu
• vesijärjestelmän minimi (taso 1)
• paine minimissä (taso 1)
• Imujärjestelmä normaali
50. Tyhjiöjärjestelmän säätöpainike (paina painiketta 1 sekunti aktivoimiseksi)
• LED normaali -tilassa
• Vilkkuva LED-hiljainen tila



Kuva 3

TEKNISET PARAMETRIT

Parametrin tyyppi	Yksikköä	Malli		
		AS6690T	AS7690T	AS7190TO
Liuosäiliön kapasiteetti	L / gal	85 L / 22 gal.		
Talteenottosäiliön kapasiteetti	L / gal	90 L / 24 Gal.		
Koneen pituus	mm/tuumaa	1490 mm/ 59 tuumaa	1550mm/ 61 tuumaa	1490 mm/ 59 tuumaa
Koneen leveys vetolastan kanssa	mm/tuumaa	830 mm / 33 tuumaa	950 mm / 38 tuumaa	
Koneen leveys ilman vetolastaa	mm/tuumaa	730 mm/29 tuumaa	830mm/33 tuumaa	750mm/30 tuumaa
Koneen korkeus	mm/tuumaa	1020 mm/40,2 tuumaa		
Työleveys	mm/tuumaa	660 mm/26 tuumaa	760 mm/30 tuumaa	710 mm/28 tuumaa
Vetopyörän halkaisija	mm/tuumaa	230 mm/9 tuumaa		
Vetopyörän erityinen paine lattialla	N/mm ²	0,67 N/mm ²		
Takapyörän halkaisija	mm/tuumaa	101 mm/4 tuumaa		
Takapyörän erityinen paine lattialla	N/mm ²	0,82 N/mm ²		
Harjan/laikan halkaisija	mm/tuumaa	330 mm x 2 / 13 tuumaa x 2	380mm x 2 / 15 tuumaa x 2	355x710 mm / 14x28 tuumaa
Harjan/laipan paine (maksimi)	Kg/lbs.	32 kg /71 lbs 41 kg /90 lbs 49 kg /108 lbs	35 Kg /77 Lbs 43 kg /95 lbs 51 kg /112 lbs	42 kg /93 lbs 54 Kg / 120 Lbs 65 Kg / 143 Lbs
Liuksen virtaus (maksimi) asetusta kohden	L / gal minuuttia kohden	(0,9/1,5/2,2/3) litraa (0,24/0,39/0,58/0,79) galloniaa		(0,6/1,1/1,9/2,5) litraa 0,16/0,29/0,5/0,66 gallonaa
Melutaso	dB (A)	69 ± 3 dB (A)		
Äänen taso EKO-tilassa tai hiljainen-tilassa	dB (A)	65 ± 3 dB (A)		
Kahva tärinätaso (maksimi)	m/s ²	< 2,5 m/s ²		
Nousukyky (maks.)	% astetta	2%		
Min. käytävä käännös	cm/tuumaa	155cm/61 tuumaa	165 cm/65 tuumaa	160 cm/63 tuumaa
Vetomoottorin teho	Wattia / hv	250 W / 0,33 hv		350 W / 0,47 hv
Työnopeus	Km / mailia tunnissa	0 - 4,0 km / 0 - 2,5 mailia tunnissa		0 - 3, 2 km / 0 - 2,0 mailia tunnissa
Nopeus eteenpäin	Km / mailia tunnissa	0 - 4,0 km / 0 - 2,5 mailia tunnissa		
Nopeus taaksepäin	Km / mailia tunnissa	0 - 2,0 km / 0 - 1,25 mailia tunnissa		
Imumoottorin teho	Wattia / hv	500 W / 0,66 hv		
Tyhjiön kapasiteetti	mm/In H ₂ O	1500 mm / 60 In H ₂ O		
Tyhjiön kapasiteetti EKO-tilassa tai hiljainen-tilassa	mm/In H ₂ O	900 mm / 35 In H ₂ O		
Harjamoottorin teho	Wattia / hv	500 x 2 wattia / 0,66 x 2 hv		750 wattia / 1,0 hv
Harjan nopeus normaali-tilassa	RPM	200 RPM		2200 RPM
Harjan nopeus EKO-tilassa	RPM	160 RPM		1600 RPM
IP-suojaluokka	IP	IP24		
Akkulokeron koko ulkopuolisella laturilla (P x L x K)	mm/tuumaa	(620 x 385 x 390) mm / 24,4 x 15,1 x 15,3 tuumaa		
Akkulokeron koko sisäpuolisella laturilla (P x L x K) (*)	mm/tuumaa	(535 x 385 x 390) mm / 21 x 15,1 x 15,3 tuumaa		
Jännite	DC	24 V		
Akut (*)	Ah	Tietoja ei käytettävissä		
Akun ajoaika (vakioakut) (*)	Tunti	4 tuntiin saakka		
Sisäinen laturi (*)	Voltia/ampeeria	24V 25A		
Tuottavuus (maks)	m ² /h	2640 m ² /h	3040 m ² /h	2272 m ² /h
Koneen paino tyhjiällä säiliöillä (ilman akkuja)	Kg/lbs.	135 kg /298 lbs	138 kg /304 lbs	148 Kg/326 Lbs.
Bruttopaino (GVW)	Kg/lbs.	347 Kg / 765 Lbs.	350 Kg / 772 Lbs.	360 Kg / 794 Lbs.
Lähetyspaino	Kg/lbs.	202 Kg / 444 Lbs.	205 Kg / 451 Lbs.	215 Kg / 473 Lbs.
Pakkauksen mitat (P x L x K)	mm/tuumaa	(1620 x 810 x 1200 mm) / (64 x 32 x 48 tuumaa)	(1660 x 910 x 1200 mm) / (66 x 36 x 48 tuumaa)	

(*) Valinnainen

KÄYTTÖOPAS

**VAROITUS!**

Koneen joissakin kohdissa on joitakin tarrakylttejä osoittaen:

- VAARA!
- VAROITUS!
- HUOMIO!
- TARKISTA OHJEET

Kun käyttäjä lukee tätä opasta, hänen on kiinnitettävä erityistä huomiota levyillä näkyviin symboleihin. Älä peitä näitä kylttejä mistään syyistä ja vaihda ne välittömästi, jos ne ovat vahingoittuneet.

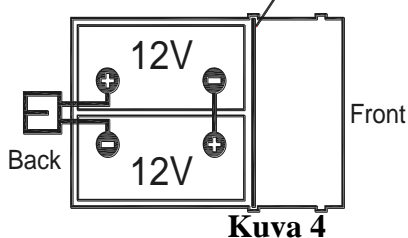
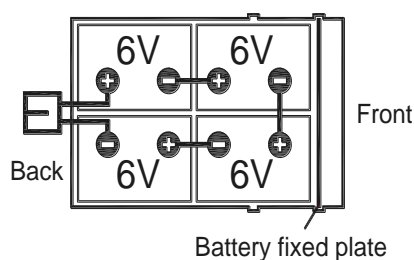
AKUN TARKISTUS / -ASETUS UUDELLA KONEELLA

**VAROITUS!**

Koneen sähkökomponentit voivat vaurioitua vakavasti jos akut on asennettu tai liitetty väärin. Vain pätevä henkilöstö voi asentaa akut. Aseta toiminnon piirikortti ja sisäänrakennettu akkulaturi käytettävän akkutyyppin mukaan (NESTEAKKU tai GEELI-/AGM-akku). Tarkista paristot vaurioiden varalta ennen asennusta. Irrota akun liitin ja akkulaturin pistoke. Käsittele akkuja huolellisesti. Asenna koneen mukana toimitetut akun napojen suojahatut.

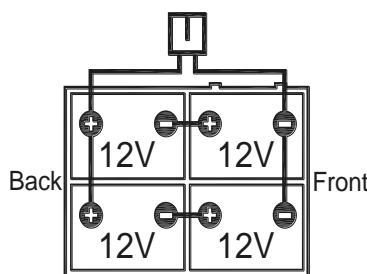
Akut jo asennettuina koneessa

1. Varmista, että akun liitin (29, Kuva 2).
2. Jos käytät laitetta ensimmäistä kertaa uusien akkujen kanssa, suorita täysi latausjakso (katso kohta Huolto-luku).

**HUOMAUTUS**

Kone vaatii kaksi 12V akkua, tai neljä 6 V akkua, jotka on kytketty kaavion mukaisesti (Kuva 4).

Aseta akun kiinnityslevy oikein kuten (Kuva 4).



Ilman akkuja

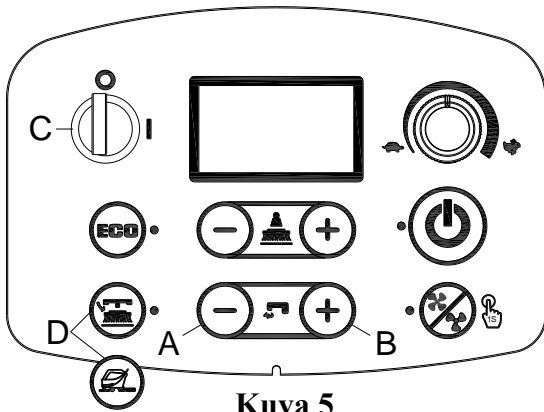
1. Osta sopivat akut (katso kappale "Tekniset tiedot"). Pariston valinta ja asennus, koskee valtuutettuja akkujälleenmyyjiä.
2. Aseta kone asennettujen akkutyyppien mukaan Huolto-luvun Superkäyttäjän avain -osiossa esitetyllä tavalla.

AKUN ASENNUS JA AKKUTYYPIN ASETUS (WET OR GEL/AGM OR DIS OR ENES)**Akun asennus**

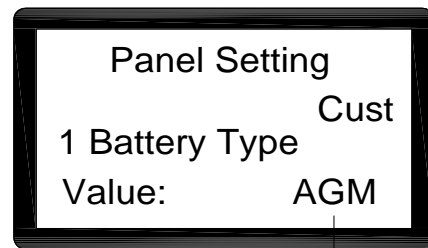
1. Avaa talteenottosäiliön kansi (1, Kuva 1) ja tarkista, että täytä talteenottosäiliö (16) on tyhjä, muussa tapauksessa tyhjennä sen poistoletkulla. (37, Kuva 2)
2. Sulje talteenottosäiliön kansi (1, Kuva 1).
3. Nosta talteenottosäiliötä (16, Kuva 1) varovasti.
4. Kone toimitetaan varustettuna kaapeleilla, jotka sopivat kahden 12 V:n tai neljän 6 V:n akun asentamiseen. Aseta akut varovaisesti akkutilaan ja asenna ne oikein. Aseta akun kiinnityslevy oikein kuten (Kuva 4).
5. Ohjaa ja asenna akun kaapeli (Kuva 4) mukaisesti, ja kiristä sitten varovasti akun napojen mutterit.
6. Aseta suojahattu kunkin navan päälle ja kytke akun liitin (29, Kuva 2).
7. Laske talteenottosäiliö varovasti (16, Kuva 1).

Akkutyyppin asetus (WET OR GEL/AGM OR DIS OR ENES)**Pääsy akun tilan valintaan**

Aseta akun tyyppi (NESTEAKKU tai GEELI-/AGM-akku) mukaan seuraavasti:



Kuva 5

Access to select battery mode

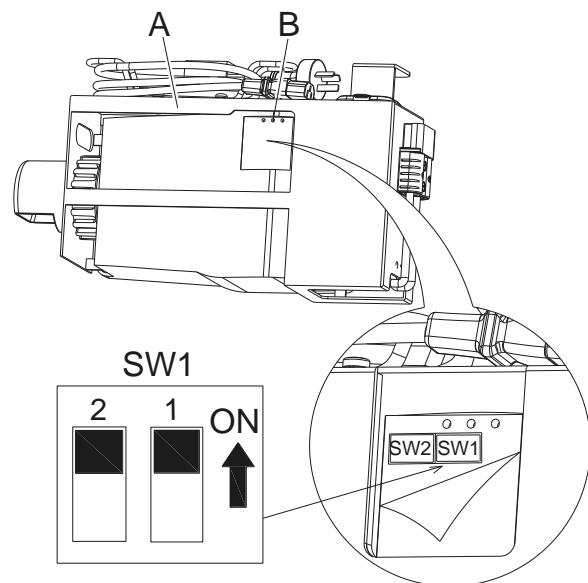
Kuva 6

1. Paina veden virtaus -painiketta "+" (A, Kuva 5) ja "-" (B, Kuva 5) samaan aikaan.
2. Laita sisään virta-avain (C, Kuva 5) ja käännä se asentoon "I".
3. Muutaman sekunnin kuluttua päästään akkutilan valintanäyttöön (Kuva 6)
4. Paina veden virtaus -painiketta "-" (A, Kuva 5) ja "+" (B, Kuva 5) valitaksesi akun tilan (H, Kuva 6)
5. Paina vapautuspainiketta levyversiolle tai lattian valmistelupainiketta kiertorotaversiolle (D, kuva 5), 3 sekuntia myöhemmin näyttää "Päivitä OK" tarkoittaa, että asetus onnistuu kääntämään päälle uudelleen käynnistämisen. (C, Kuva 5)

Akkulaturin asetus (vain sisäiseen laturiin, jos asennettu)**VAROITUS!**

Älä aseta laturia, ellei sinulla ole ammatillista koulutusta

1. Sammuta kone ja irrota kiinteä laturi (A, Kuva 7) koneesta. Sitten avaa laturin kannen etiketti (B, Kuva 7). Löydät 2 sarjaa dip-kytkimiä (SW1 ja SW2) laturista.
2. Vain dip-kytkimen SW1 (vasemmalla puolella oleva) sarja vaikuttaa latauskäyrän valintaan alla olevan taulukon mukaisesti.



Kuva 7

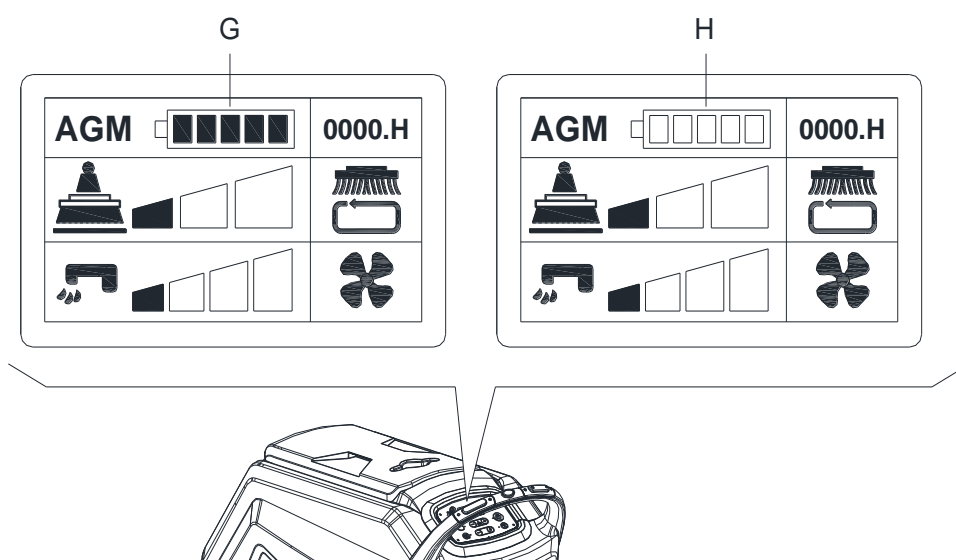
DP1	DP2	LATAUSKÄYRÄ
PÄÄLLE	POIS	IUIa-ACD lyijy-happo (Märkä)akuille
POIS	POIS	IUIa-GEL Exide-Sonnenscheinin geeliakuille
POIS	PÄÄLLE	IUU0-GEL muiden valmistajien HAZE-geeli- ja AGM-akuille
PÄÄLLE	PÄÄLLE	IUIUa-AGM Discover AGM -akkuihin

Akun lataaminen

Lataa akut täyteen (katso menettely luvusta Huolto).

Akun purkaminen

Kun akkujen lataus on täynnä (G, Kuva 8), akut antavat laitteen toimia normaalisti. Kun akkujen lataus on alhainen (H, kuva 8), akut on ladattava. Muutaman sekunnin kuluttua alhainen akun lataus näkyy, harja/laikan pidike kytkeytyy automaattisesti pois päältä, samalla kun vetojärjestelmä pysyy päällä. Aja kone nimetylle latausalueelle.



Kuva 8



HUOMIO!

Kun akut ovat puretut, lataa ne mahdollisimman pian, koska tämä tila lyhentää niiden käyttöikä. Tarkasta akun lataus vähintään kerran viikossa.

HARJAN/LAIKAN PIDIKKEEN ASENNUS JA IRROTUS (vain levykoneelle)**HUOMAUTUS**

Asenna joko harja (A, kuva 9) tai laipan pidike (B ja C, kuva 9) puhdistettavan lattian tyyppin mukaan.

**HUOMIO!**

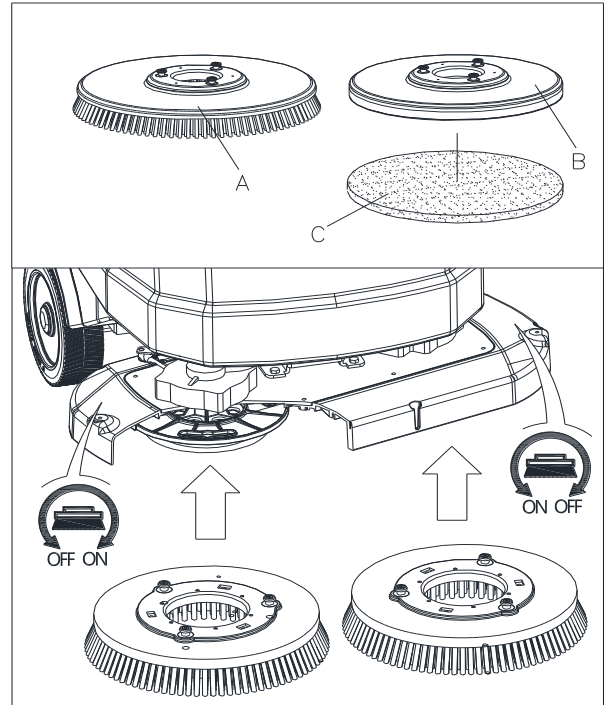
Varmista ennen harjan -/laikan pitimen asennusta/irrottamista, että kaikki koneen kytkimet ovat off-asennossa ja vetolasta on nostettu ylös lattiasta. Koneen käyttäjän tulee käyttää tehtävään soveltuvia henkilökohtaisia suojavarusteita, kuten käsineitä, onnettomuuksien vähentämiseksi.

Toimi näin:**ASENNUS:**

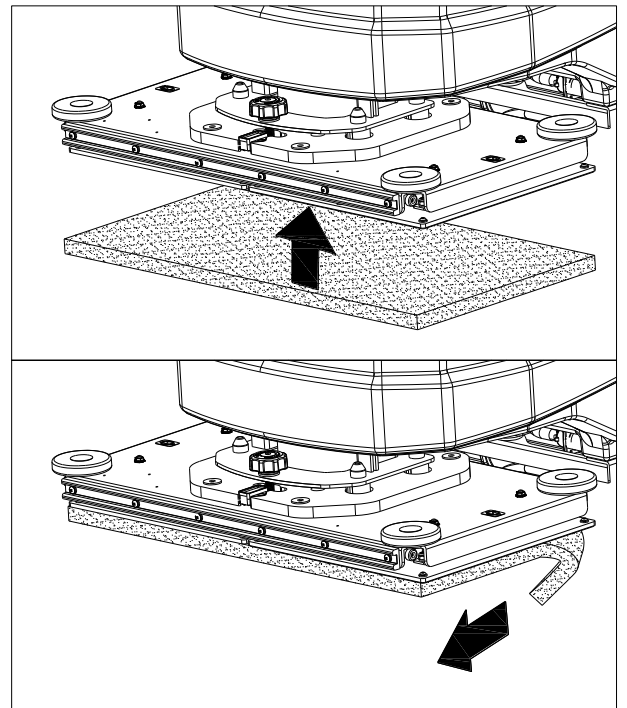
1. Aseta virta-avain (42, Kuva 3) ja käännä se asentoon "I". Nosta kansia Sammuuta kone ja irrota virta-avain (42).
2. Käännä nopeussäädin (48) joutokäynnille kääntämällä sitä vastapäivään.
3. Laita harjat (A, Kuva9) tai laikan pidin (B) kannen alle.
4. Käytä manuaalista menetelmää kääntämällä harjan/laikan pitimen normaaliin kääntösuuntaan nähden vastakkaiseen suuntaan, ja se voidaan asentaa. (kuten esitetty Kuvassa 9)

IRROTUS:

1. Aseta virta-avain (42, Kuva 3) ja käännä se asentoon "I". Voit poistaa harjan/laikan pidikkeen nostamalla kantta painamalla harjan/laikan pidikkeen vapautuspainiketta (44), harja/laikan pidike vapautetaan automaattisesti.

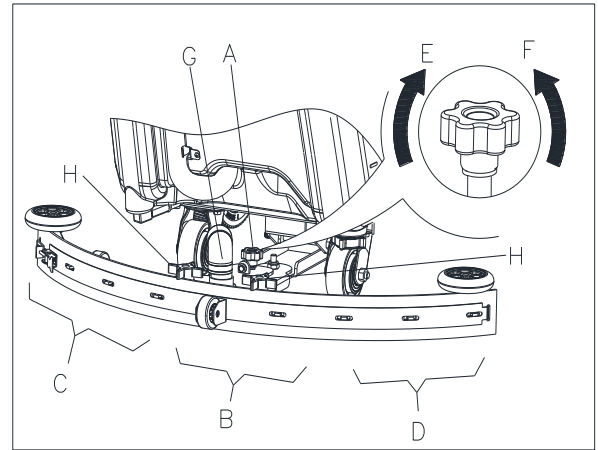
**Kuva 9****LAIKAN ASENNUS JA IRROTUS (vain orbitaali-koneelle)**

1. Aseta virta-avain (42, Kuva 3) ja käännä se asentoon "I". Nosta kansia Sammuuta kone irrottamalla virta-avaimen.
2. Käytä manuaalista menetelmää asentaaksesi tai irrottaaksesi laikan kuten (Kuvassa 10)

**Kuva 10**

IMULASTAN TASAPAINON SÄÄTÄMINEN

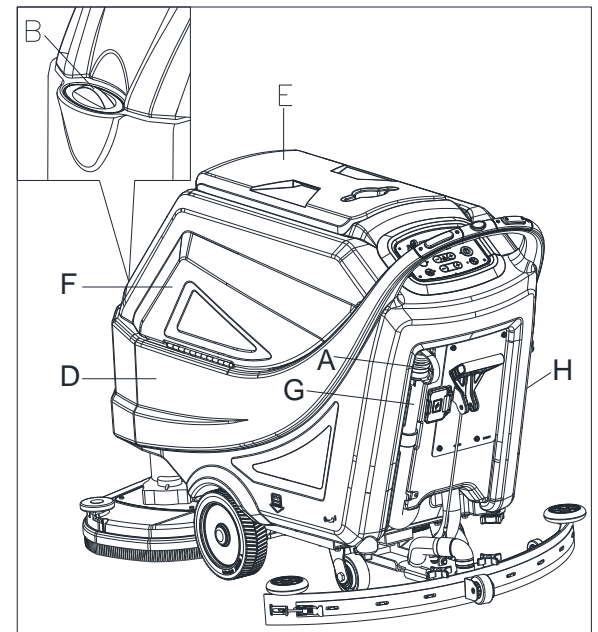
1. Asenna imulasta paikalleen ja kiristä mutterit (H, Kuva 11), tämän jälkeen liitä imuletku (G) imulastaan.
2. Säädä imulastan asentoa imulastan tasapainon säätimestä (A, kuva 11).
 - a) Mikäli taemman imulastan terän (B) keskiosa ei kosketa lattiaa, väännä säädintä (A) vastapäivään (F) kunnes kaikki takalastan terän osat tekevät hyvän kosketuksen lattiaan. , etuterä koskettaa lattiaa kevyesti.
 - b) Mikäli taemman imulastan (C ja D) kumpikaan reuna ei kosketa lattiaa, väännä nuppia (A) myötäpäivään (E), kunnes takaimulastan terän kaikki osat tekevät hyvän kosketuksen lattiaan, etuterä koskettaa lattiaa kevyesti.

**Kuva 11****LIUOSSÄILIÖN TÄYTTÄMINEN**

1. Avaa vedenottoaukon kansi (B, Kuva 12).
2. Täytä vedellä tai työn suorittamiseen sopivalla liuoksella suodattimen vedenottoaukon läpi.
Liuoksen lämpötila ei saa olla yli +104 °F (+40 °C).
3. Älä täytä säiliötä liikaa, katso vesimäärän tiedot vedenkorkeuden osoittimesta (H).

**VAROITUS!**

Käytä vain vähän vaahtoavia ja palamattomia pesuaineita, jotka on tarkoitettu automaattipesusovelluksia varten.

**Kuva 12****KONEEN KÄYNNISTYS JA PYSÄYTYS****Koneen käynnistäminen**

1. Valmistele kone kuten näytetty edellisessä kappaleessa.
2. Laita sisään virta-avain (A, Kuva 13) ja käännä se asentoon "I". Tarkista akkujen tila näyttöruudulta. Lataa akut tarvittaessa (katso menettely luvusta Huolto).
3. Aja kone työskentelyalueelle:
 - Painamalla jompaa kumpaa turvakytkintä (F) siirrytään eteenpäin tai painamalla turvakytkintä (F) yhdessä peruutuskytkimen (G) kanssa siirrytään taaksepäin. Etenemisnopeutta voidaan säätää säätölaitteella (H).
4. Laske imulasta (I) imulastan nosto-/laskukahvalla (J).
5. Laske harjan/laipan pidikkeen kansi (K) painamalla yhden painikkeen käynnistystä (L).
6. Paina liuoksen virtauksen ohjauspainikkeita (O) tarvittaessa riippuen suoritettavan puhdistuksen tyypistä.
7. Aloita puhdistus:
 - Paina jompaa kumpaa turvakytkintä (F) aktivoiaksesi koneen ajon. Etenemisnopeutta voidaan tarvittaessa säätää säätölaitteella (H).

**HUOMAUTUS**

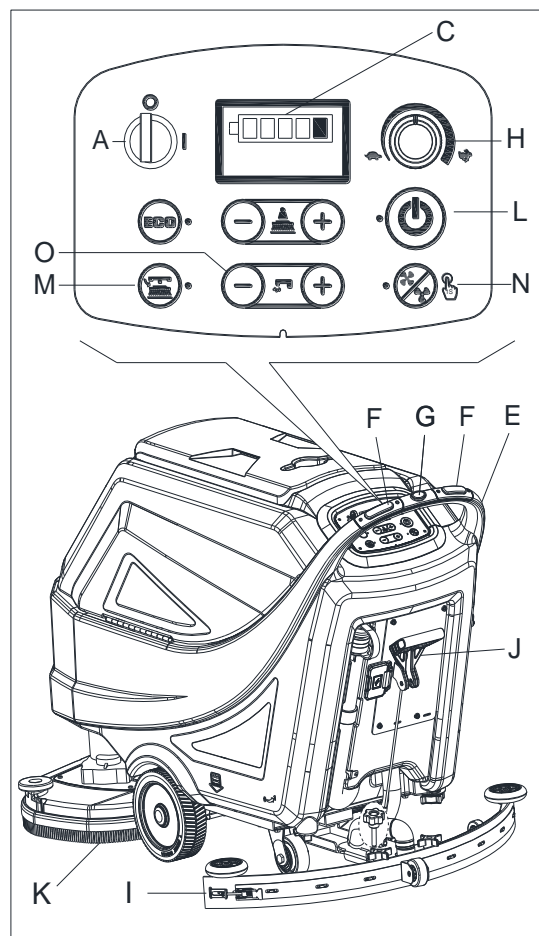
Voit siirtää konetta eteenpäin painamalla joko vasenta tai oikeaa turvakytkintä (F, Kuva 13) tai molempia.

Koneen pysäyttäminen

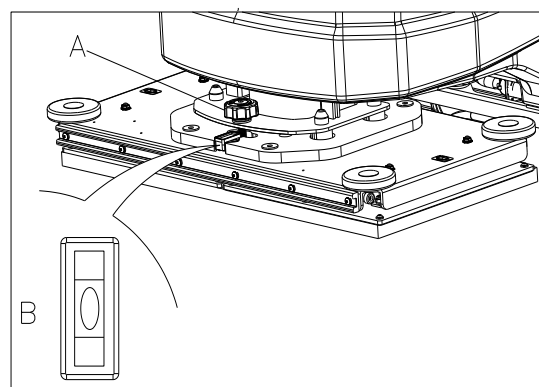
8. Pysäytä kone vapauttamalla turvakytkimet (F, Kuva 13)
9. Harjojen pysäytykset. Imujärjestelmä pysähtyy muutaman sekunnin kuluttua.
10. Nosta harjan/laipan pidikkeen kansi (K) painamalla yhden painikkeen käynnistintä (L).
11. Nosta imulastaa (I) imulastan nosto-/laskukahvalla (J).
12. Käännä virta-avain (A) asentoon "0".
13. Varmista, että kone ei voi liikkua itsenäisesti.

KONEEN KÄYTTÖ (PESU JA KUIVAAMINEN)

1. Käynnistä laite edellisten kappaleiden mukaan.
2. Painamalla jompaa kumpaa turvakytkintä (35, Kuva 2), liikuta konetta ja käynnistä lattian pesu/kuivaus.
3. Mikäli tarpeen, pysäytä laite ja säädä imulastaa osan "Imulastan tasapainon säätäminen" mukaan.

**Kuva 13****ORBITAALIKANNEN TASON SÄÄTÄMINEN (VAIN ORBITAALIKONEILLE)**

1. Laita sisään virta-avain (42) ja käännä se asentoon "I". Laske harjan/laikan pidikkeen kansi (25) painamalla yhden painikkeen käynnistintä (49).
2. Säädä orbitaalikannen tasoa säätämällä kahvaa (A, Kuva 14) niin, että kupla on keskellä (B Kuva 14).

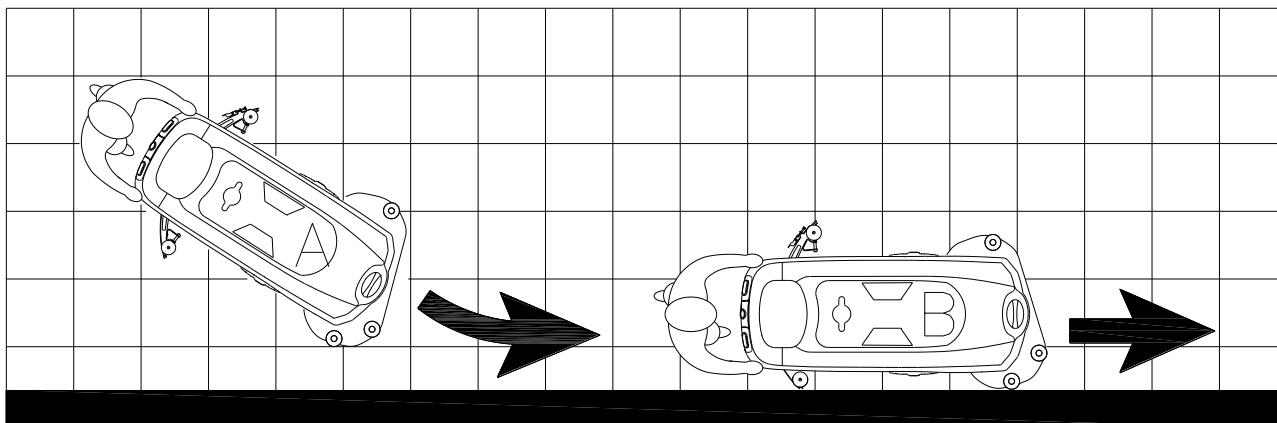
**Kuva 14**

**HUOMAUTUS**

Lattioiden oikean pesun/kuivaamisen varmistamiseksi seinien sivuilla. On suositeltavaa mennä seinien lähelle koneen oikealla puolella (A ja B, kuva 15) kuten kuvassa näytetään.

**HUOMIO!**

Lattiapinnan vaurioiden välttämiseksi kytke harjat / laipan pidikkeet pois päältä, kun kone pysähtyy johonkin paikkaan, varsinkin kun ylimääräinen painetoiminto on käytössä.



Kuva 15

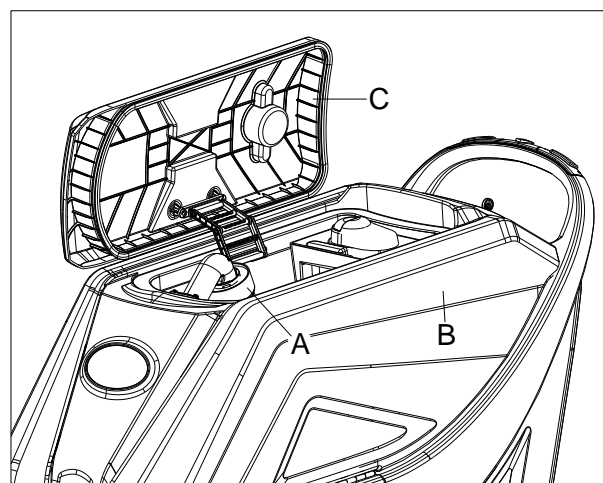
SÄILIÖN TYHJENNYS

Automaattinen uimurin sulkujärjestelmä (A, Kuva 16) estää imujärjestelmän, kun veden talteenottosäiliö (B) on täynnä. Imujärjestelmän deaktivointi osoitetaan äkillisellä imujärjestelmän moottorin äänitaajuuden nousulla, ja lattiaa ei ole kuivattu.

**HUOMIO!**

Jos imujärjestelmä sammuu vahingossa (esimerkiksi, kun uimuri aktivoidaan johtuen äkillisestä koneen liikkeestä), toimintaa voidaan jatkaa: sammuta imujärjestelmä painamalla kytkintä (50, Kuva 3), avaa sen jälkeen kansi (C, Kuva 16) ja tarkista, että ruudukon (A) sisällä oleva uimuri on laskeutunut veden pinnan tasolle. Sulje sitten kansi (C) ja kytke imujärjestelmä päälle painamalla kytkintä (50, Kuva 3).

Kun veden talteenottosäiliö (B, Kuva 16) on täynnä, tyhjennä se seuraavan menettelyn mukaisesti:



Kuva 16

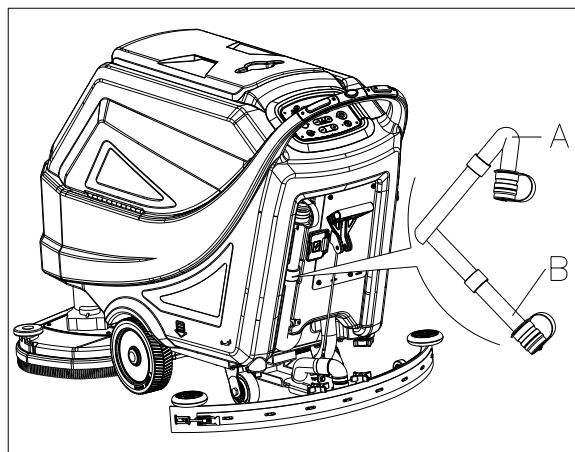
Veden talteenottosäiliön tyhjentäminen

1. Pysäytä kone.
2. Nosta harjan/laikan-pidikkeen kansi (25, Kuva 1) painamalla yhden painikkeen käynnistintä (49, Kuva 3) tai käynnistä kone uudelleen virta-avaimella (42, Kuva 3).
3. Nosta imulastaa (11, Kuva 1) imulastan nosto-/laskukahvalla (39, Kuva 2).
4. Aja kone osoitetulle poistoalueelle.
5. Tyhjennä veden talteenottosäiliö letkulla (A, Kuva 17). Huuhtele sen jälkeen säiliö (B, Kuva 16) puhtaalla vedellä.



HUOMIO!

Kun jäteväettä tyhjenetään, jätteiden imuputki pitää taittaa (A, Kuva 17) ja laskea ala-asentoon (B, Kuva 17), ja avaa sen jälkeen jätteen imuputken kansi veden tyhjentämiseksi. Älä aseta jätteen imuputken aukkoa veden tyhjentämiseksi pystysuoraan. Näin vältetään jäteveden valuminen käyttäjän päälle.



Kuva 17

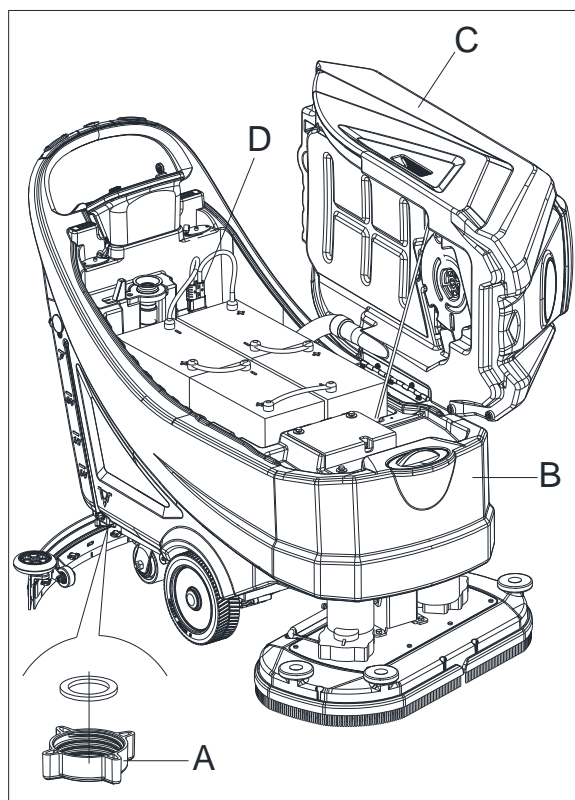
Liuksen / puhdasvesisäiliön tyhjentäminen

1. Tyhjennä puhdasvesisäiliö tyhjennysaukon (A, Kuva 18) kautta. Huuhtele säiliö puhtaalla vedellä työskentelyn jälkeen.

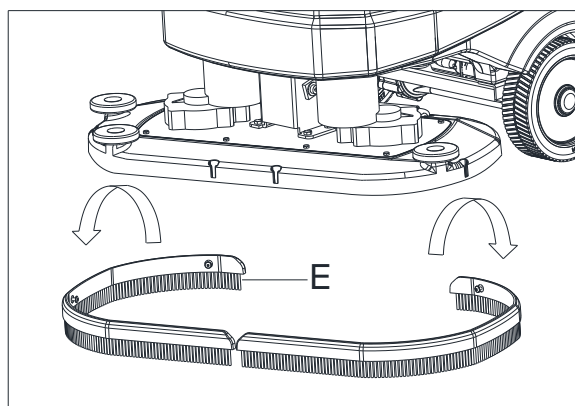
KONEEN KÄYTÖN JÄLKEEN

Työskentelyn jälkeen, ennen koneelta poistumista:

1. Poista harjat/laikan-pidikkeet painamalla vapautuspainiketta (44, Kuva 3) ja puhdista ne (vain levykoneelle).
2. Poista roiskesuoja (E, Kuva 19) ja puhdista se. (vain levykoneelle)
3. Poista laikka ja puhdista se. (vain orbitaalikoneelle)
4. Tyhjennä säiliöt (B ja C, Kuva 18), kuten näytetty edellisessä kappaleessa.
5. Suorita päivittäiset huoltotoimenpiteet (katso Huolto-kappale).
6. Säilytä konetta puhtaassa ja kuivassa paikassa, kun harjat/laipan pidikkeet ja vetolasta on nostettu tai poistettu.



Kuva 18



Kuva 19

KONEEN SÄILYTYS PITKÄ TOIMIMATTOMUUDEN AIKANA

Jos konetta ei käytetä yli 30 päivään, menettele seuraavasti:

1. Suorita Koneen Käytön jälkeen -kappaleessa osoitetut menettelyt.
2. Irrota akun liitin (29, Kuva 2).

KÄYTÖN ENSIMMÄINEN JAKSO

Tarkista ensimmäisen 8 tunnin jälkeen laitteen kiinnitys ja liitososien kireys ja tarkista näkyvät osat kulumisen ja vuotojen varalta.

HUOLTO**VAROITUS!**

Huoltotoimenpiteet tulee suorittaa vasta sen jälkeen, kun laite on kytketty pois päältä ja akun latausjohto on irrotettu. Lue lisäksi kaikki käyttöoppaassa esitetyt turvaohjeet.

Määraaikaiset ja ylimääräiset huoltotoimenpiteet saa suorittaa vain asianmukaisen koulutuksen saanut henkilö tai valtuutettu huoltoliike.

Tässä oppaassa on kuvattu vain yleiset/tavanomaiset huoltotoimenpiteet.

Tiedot sellaisista huoltotoimenpiteistä jotka eivät kuulu alla esitettyyn huolto-ohjelmaan löytyvät valtuutetuille huoltoliikkeille toimitetusta huolto-oppaasta.

MÄÄRÄAIKAISHUOLTOJEN AIKATAULU**HUOMIO!**

Numerolla (1) merkityt toimenpiteet tulee suorittaa ensimmäisten 8 käyttötunnin jälkeen. Numerolla (2) merkityt toimenpiteet saa suorittaa ainoastaan yrityksemme valtuuttama huoltoliike.

Toimenpide	Päivittäin, jokaisen käyttökerran jälkeen	Viikoittain	Kahdesti vuodessa	Vuosittain
Akun lataaminen				
Imulastan puhdistus				
Harja-/laikkapään puhdistus				
Säiliön puhdistus				
Säiliön tiivisteiden tarkistus				
Kohosuodattimen puhdistus				
Laikan puhdistus				
Roiskesuojan puhdistus (vain levykoneelle)				
Imulastan osien tarkistus ja vaihto				
Puhtaan veden suodattimen puhdistus				
Imusuodattimen puhdistus				
WET-akun nestetaso tarkistus				
Ruuvien ja mutterien kireyden tarkistus			(1)	
Alempi eristin (vain orbitaalikoneelle)			(2)	
Harjamootorin hiiliharjan tarkistus tai vaihto				(2)
Imumootorin hiiliharjan tarkistus tai vaihto				(2)
Vetomootorin hiiliharjan tarkistus tai vaihto				(2)

INTRODUCTION**ATTENTION !**

Certaines informations générales et détaillées de la machine ne figurent pas dans ce guide. Prière de se reporter au Manuel du GUIDE DE DÉMARRAGE RAPIDE sur le CD-ROM fourni, lecture par Adobe® Reader®.

**REMARQUE**

Les chiffres entre parenthèses renvoient aux éléments présentés dans le chapitre Description de la Machine.

BUT ET CONTENU DU GUIDE

Le but de ce guide de démarrage rapide est de fournir toutes les informations de base à l'opérateur pour pouvoir utiliser convenablement la machine et pour les informations sur les caractéristiques techniques, les conditions de fonctionnement, d'inactivité, les pièces détachées et les conditions de sécurité de la machine, etc. Prière de consulter le manuel GUIDE DE DÉMARRAGE RAPIDE sur le CR-ROM fourni.

Avant toute procédure sur la machine, les opérateurs et les techniciens qualifiés doivent lire le guide de démarrage rapide. Contacter notre entreprise en cas de doutes concernant l'interprétation des instructions ou toute autre information complémentaire.

COMMENT CONSERVER CE GUIDE DE DÉMARRAGE RAPIDE

Le guide de démarrage rapide doit être conservé près de la machine, dans une pochette spéciale, à l'écart des liquides et d'autres substances susceptibles de l'abîmer.

DÉCLARATION DE CONFORMITÉ

La déclaration de conformité est fournie avec la machine et certifie la conformité de la machine rapport à la loi en vigueur.

**REMARQUE**

Les copies de la déclaration originale de conformité sont fournies avec la documentation de la machine.

ACCESSOIRES ET ENTRETIEN

Toutes les opérations nécessaires, des procédures d'entretien et de réparation doivent être effectuées par un personnel qualifié ou par le centre d'entretien désigné de notre société. SEULS les pièces détachées et les accessoires autorisés devraient être utilisés.

Contactez le service à la clientèle de notre société pour tout service ou achat d'accessoires ou pièces détachées si nécessaire.

CHANGEMENT ET AMÉLIORATION

Nous nous sommes engagés à l'amélioration continue de ses produits, la société se réserve le droit de modifier et d'améliorer la machine sans même vous en informer.

CHAMP D'APPLICATION

L'autolaveuse s'applique à l'usage commercial et industriel. Elle est adaptée pour le nettoyage de sols lisses et durs. Pour plus de sécurité, elle doit être utilisée par du personnel qualifié. Il ne convient pas pour une utilisation en extérieur ou pour le nettoyage de la moquette ou des sols rugueux.

DONNÉES D'IDENTIFICATION DE LA MACHINE

Le numéro de série et le nom du modèle de la machine sont indiqués sur l'étiquette de série.

Ces informations sont utiles. Utiliser le tableau suivant pour noter les données d'identification de la machine, lors de communication nécessitant des pièces de rechange pour la machine.

MODÈLE DE LA MACHINE.....
NUMÉRO DE SÉRIE DE LA MACHINE.....

TRANSPORT ET DÉBALLAGE

Lorsque le transporteur livre la machine, s'assurer que l'emballage et la machine sont à la fois intacts et en bon état. En cas de dommage, porter à la connaissance du transporteur les dommages et avant d'accepter les marchandises, se réserver le droit en termes de compensation des dommages.

Suivre attentivement les instructions sur l'emballage, lors du déballage de la machine.

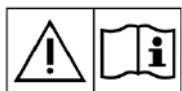
Vérifier l'emballage pour assurer que les éléments suivants sont inclus :

1. Documentations techniques guide démarrage rapide
2. Nomenclature des pièces (*)
3. Connexion de la batterie.
4. Manuel du chargeur électronique de la batterie (selon les modèles) (*)

SÉCURITÉ

Les symboles suivants indiquent les situations potentiellement dangereuses. Toujours lire attentivement ces informations et prendre toutes les précautions nécessaires pour protéger les personnes et les biens.

SYMBOLES VISIBLES SUR LA MACHINE



AVERTISSEMENT !

Lire toutes les instructions avec attention avant d'effectuer toute opération sur la machine.



AVERTISSEMENT !

Ne pas laver la machine avec des jets d'eau directs ou sous pression.



AVERTISSEMENT !

Ne pas utiliser la machine sur des pentes ayant une inclinaison dépassant ce qui est défini dans le cahier des charges.

SYMBOLES UTILISÉS DANS CE GUIDE DE DÉMARRAGE RAPIDE



DANGER !

Cela indique une situation dangereuse avec risque de mort pour l'opérateur.



AVERTISSEMENT !

Cela indique un risque potentiel de blessure pour les personnes.



ATTENTION !

Cela indique un avertissement ou une remarque concernant des fonctions importantes ou utiles. Prêter l'attention aux paragraphes marqués par ce symbole.



REMARQUE

Cela indique une remarque sur des fonctions importantes ou utiles.



CONSULTATION

Ceci indique la nécessité de se référer au guide de démarrage rapide avant d'entreprendre toute procédure.

CONSIGNES GÉNÉRALES DE SÉCURITÉ

Les avertissements et les mises en garde spécifiques, pour informer des dommages potentiels aux personnes et à la machine, sont indiqués ci-dessous.



DANGER !

- Cette machine doit être exploitée par du personnel qualifié et autorisé selon les conseils du manuel.
- Avant d'effectuer toute opération de nettoyage, d'entretien, de réparation ou de remplacement, lire attentivement toutes les instructions, veiller à éteindre la machine et à débrancher le connecteur de la batterie.
- Ne pas faire fonctionner la machine à proximité de poudres, vapeurs ou liquides toxiques, dangereux, inflammables et/ou explosifs. Cette machine ne convient pas pour la collecte des poudres dangereuses.
- Ne pas porter de bijoux, lorsque l'on travaille à proximité de composants électriques.
- Ne pas travailler sous la machine soulevée sans qu'elle soit supportée par des béquilles de sécurité.
- Lors de l'utilisation de batteries au plomb (À LIQUIDE), celles-ci peuvent émettre des gaz inflammables en utilisation normale. Éloigner les étincelles, les flammes, les substances fumigènes et les éléments rayonnants, éclairants et brûlants des batteries.
- Lors du chargement de batteries au plomb (À LIQUIDE), de l'hydrogène gazeux peut s'en dégager risquant de provoquer des explosions. Assurez-vous que le local de charge soit bien aéré et éloigné des flammes nues.



AVERTISSEMENT !

- Cette machine est conçue pour l'USAGE COMMERCIAL, par exemple dans des hôtels, des écoles, des hôpitaux, des usines, des magasins, des bureaux et des entreprises de propreté.
- Les machines laissées sans surveillance seront bloquées afin d'empêcher tout mouvement involontaire.
- Afin de prévenir un usage non autorisé de la machine, la source d'alimentation sera commutée ou verrouillée, par exemple en enlevant la clé du commutateur principal ou la clé de contact.
- Inspecter attentivement la machine avant chaque utilisation. Veiller à ce que tous les composants aient été bien assemblés avant l'utilisation. Ou ceci peut causer des dommages aux personnes et aux biens.
- Avant d'utiliser le chargeur de batterie, veiller à ce que les valeurs de fréquence et de tension indiquées sur la plaquette du numéro de série de la machine correspondent à celles du secteur.
- Ne jamais déplacer la machine en tirant sur le câble du chargeur de batterie. Ne pas faire passer le câble sous une porte fermée. Ne pas faire fonctionner la machine avec le câble du chargeur de batterie. Éloigner le câble du chargeur de batterie des surfaces chauffées.
Ne pas charger les batteries si le câble de chargeur de batterie ou la fiche sont endommagés.
- Pour réduire le risque d'incendie, de choc électrique ou de blessure, s'assurer que la machine est éteinte avant de partir.
- Utiliser ou stocker la machine en intérieur dans des conditions sèches. Il est interdit de l'utiliser en extérieur.
- La température de stockage et de travail doivent être comprise entre 0 °C et +40 °C, l'humidité de l'air doit être comprise entre 30% et 95%.
- Ne pas utiliser la machine sur des pentes dont l'inclinaison dépasse les spécifications indiquées.
- Lors de l'utilisation et de la manipulation de détergents de nettoyage de sols, suivre les instructions des étiquettes des bouteilles de détergent et porter des gants et de protection appropriés.
- Utiliser les brosses et les supports de disque fournis avec la machine ou définis dans le manuel. L'utilisation d'autres brosses ou support de disque pourrait diminuer la sécurité.
- En cas de mauvais fonctionnements de la machine, veiller à ce qu'ils ne soient pas dus à un manque d'entretien. Si nécessaire, demander l'assistance du personnel autorisé ou d'un centre d'entretien agréé.
- Prendre toutes les précautions nécessaires pour empêcher les cheveux, les bijoux et les vêtements amples d'être retenus par des pièces en mouvement de la machine.
- Ne pas utiliser la machine dans des endroits particulièrement poussiéreux.

- Ne pas laver la machine avec des jets d'eau directs ou sous pression, ou avec des substances corrosives.
- Ne pas heurter d'étagères ou d'échafaudages, en particulier lorsqu'il y a un risque de chute d'objets.
- Ne pas poser de récipients contenant des liquides sur la machine, utiliser le porte-gobelet prévu à cet effet.
- Pour éviter d'endommager le sol, ne pas laisser la brosse/le disque fonctionner alors que la machine est à l'arrêt.
- En cas d'incendie, utiliser un extincteur à poudre. Ne pas utiliser les extincteurs liquides.
- Ne pas enlever ou modifier les autocollants de la machine.
- Ne pas manipuler frauduleusement les dispositifs de protection et suivre scrupuleusement les instructions d'entretien courant.
- Faire attention pendant le transport de la machine, si la température est sous le point de congélation. L'eau, dans le réservoir de récupération et dans les tuyaux, pourrait geler et causer de sérieux dommages à la machine.
- Si les pièces détachées doivent être remplacées, commander les pièces détachées D'ORIGINE auprès d'un concessionnaire agréé.
- Ramener la machine au centre d'entretien, si elle ne fonctionne pas comme d'habitude ou si elle est endommagée, placée à l'extérieur ou si elle est tombée dans l'eau.
- Pour assurer un fonctionnement adéquat et sécurisé de la machine, l'entretien prévu indiqué dans le chapitre respectif de ce manuel, doit être effectué par le personnel autorisé ou un centre d'entretien agréé.
- La machine doit être correctement mise à la ferraille, étant donné la présence de matières toxiques (batteries, etc.) soumises à des normes qui exigent l'élimination dans des centres spéciaux (voir le chapitre Démolition).
- Cette machine est un simple outil de nettoyage et ne doit pas être utilisée à d'autres fins.
- Toujours veiller à ce que les ouvertures soient libres de poussière, poils et tout autre corps étranger qui pourrait réduire le flux d'air. Ne pas utiliser la machine si les ouvertures sont bouchées.
- Utiliser la machine à condition de disposer d'un éclairage adapté.
- Cette machine n'est pas conçue pour être utilisée par des personnes (y compris des enfants) avec des facultés physiques, sensorielles ou mentales réduites, ou manquant d'expérience et de connaissances.
- Une attention particulière est nécessaire lorsqu'elle est utilisée à proximité d'enfants.
- Les enfants doivent être surveillés afin de s'assurer qu'ils ne jouent pas avec la machine.
- Tout en utilisant cette machine, prendre soin de ne pas causer de dommages aux personnes ou aux objets se trouvant aux alentours.
- Le nettoyage et l'entretien réservés à l'utilisateur ne doivent pas être confiés à des enfants sans surveillance.

DESCRIPTION DE LA MACHINE

STRUCTURE DE LA MACHINE (cf. Figure 1)

- | | |
|--|---|
| 1. Couvercle du réservoir de récupération | 15. Charnière |
| 2. Porte gobelet | 16. Réservoir de récupération |
| 3. Poignée | 17. Couvercle du filtre |
| 4. Panneau de commande | 18. Support de tuyau de remplissage |
| 5. Boîtier de commande | 19. Support du filtre |
| 6. Plaque signalétique/ données techniques | 20. Joint du couvercle du réservoir |
| 7. Bouchon de vidange | 21. Boîtier de collecte des débris |
| 8. Molettes de l'embouchure | 22. Filtre à flotteur |
| 9. Tuyau d'aspiration de l'embouchure | 23. Robinet de solution/d'eau claire |
| 10. Bouton de réglage de l'équilibre de l'embouchure | 24. Roues directrices arrière |
| 11. Embouchure | 25. Système de brosse (uniquement pour les machines à disque) |
| 12. Filtre de solution | 26. Bavette garde-boue |
| 13. Roues motrices | 27. Bouton de réglage de tête orbitale |
| 14. Réservoir de la solution | 28. Système orbital (uniquement pour les machines orbitales) |

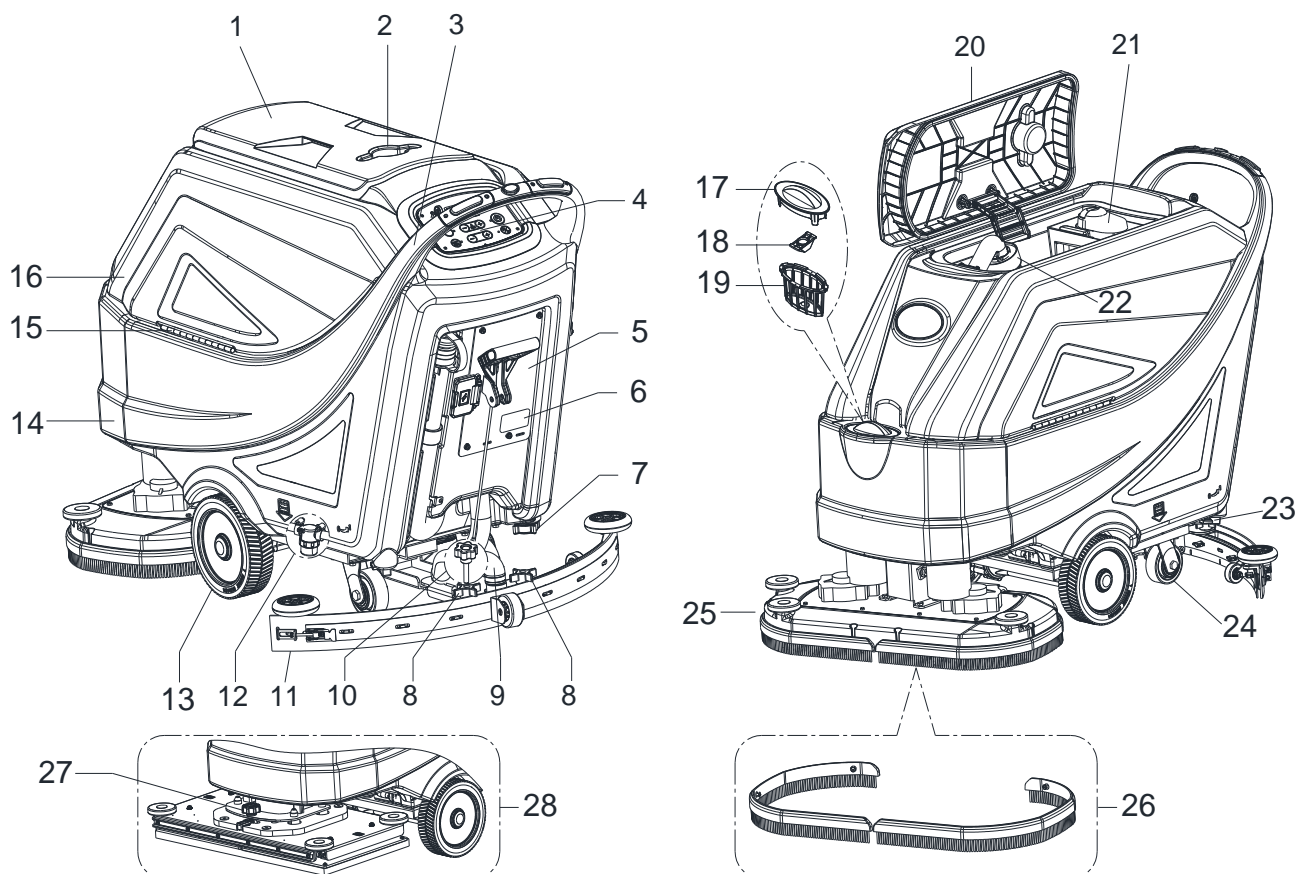
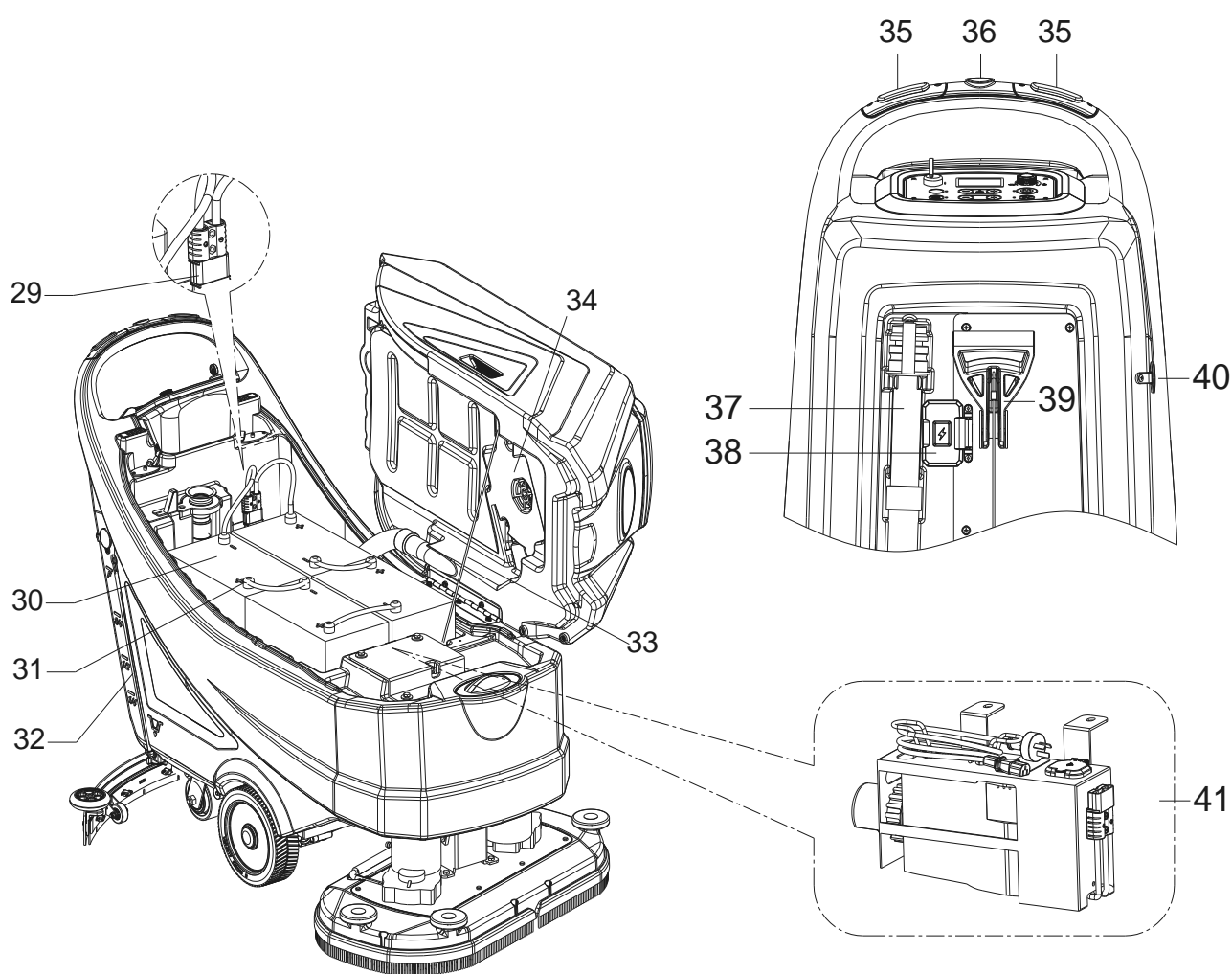


Figure 1

STRUCTURE DE LA MACHINE (comme représenté sur la Figure 2)

- | | |
|--|---|
| 29. Connecteur de batterie (rouge) | 36. Interrupteur de marche arrière machine |
| 30. Batteries (*) | 37. Tuyau de vidange de l'eau de récupération |
| 31. Bouchons de batterie | 38. Couvercle de sécurité de la prise de chargement |
| 32. Tuyau d'indicateur de niveau d'eau | 39. Poignée de montée/descente de l'embouchure |
| 33. Câble de sécurité du réservoir | 40. Bouchon de remplissage latéral du réservoir de solution |
| 34. Système d'aspiration | 41. Chargeur embarqué (*) |
| 35. Commutateur de sécurité | |

(*) : Options

**Figure 2**

PANNEAU DE COMMANDE (cf. Figure 3)

41. Affichage multifonction
Éléments affichés :
- A) Type de batterie
 - B) Niveau de charge de la batterie
 - C) Heures de fonctionnement
 - D) Mode ECO
 - E) Mode d'aspiration normal
 - F) Mode d'aspiration silencieux
 - G) Mode de marche arrière
 - H) Forte pression active
 - I) Quantité de débit de solution détergente
 - J) Mode de travail de brosse
 - K) Mode d'aspiration
 - L) Mode de préparation de sol
42. Clé de contact (0 - I)
43. Bouton de mode ECO
- LED allumée-fonction inférieure activée
- débit d'eau au minimum (niveau 1)
- pression au minimum (niveau 1)
 - L'aspiration est en mode silencieux
44. Bouton de déblocage de brosse/support disque (uniquement pour les machines à disque)
- LED clignotante - Déblocage du système activé
45. Bouton de préparation du sol (uniquement pour les machines orbitales)
- Pré-réglage de vitesse de déplacement à 1 km/h
- LED allumée-fonction inférieure activée
 - débit d'eau au minimum (niveau 1)
 - pression au maximum (niveau 3)
 - L'aspiration est en mode normal
46. Bouton de réglage de pression de brosse
47. Bouton de réglage du débit de solution
48. Régulateur de vitesse
49. Démarrage un bouton
- LED allumée-fonction inférieure activée
 - système d'eau au minimum (niveau 1)
 - pression au minimum (niveau 1)
 - système d'aspiration normal
50. Bouton de réglage du système d'aspiration (presser le bouton pendant 1 seconde pour l'activation)
- LED allumée-mode normal
 - LED clignotante- mode silencieux

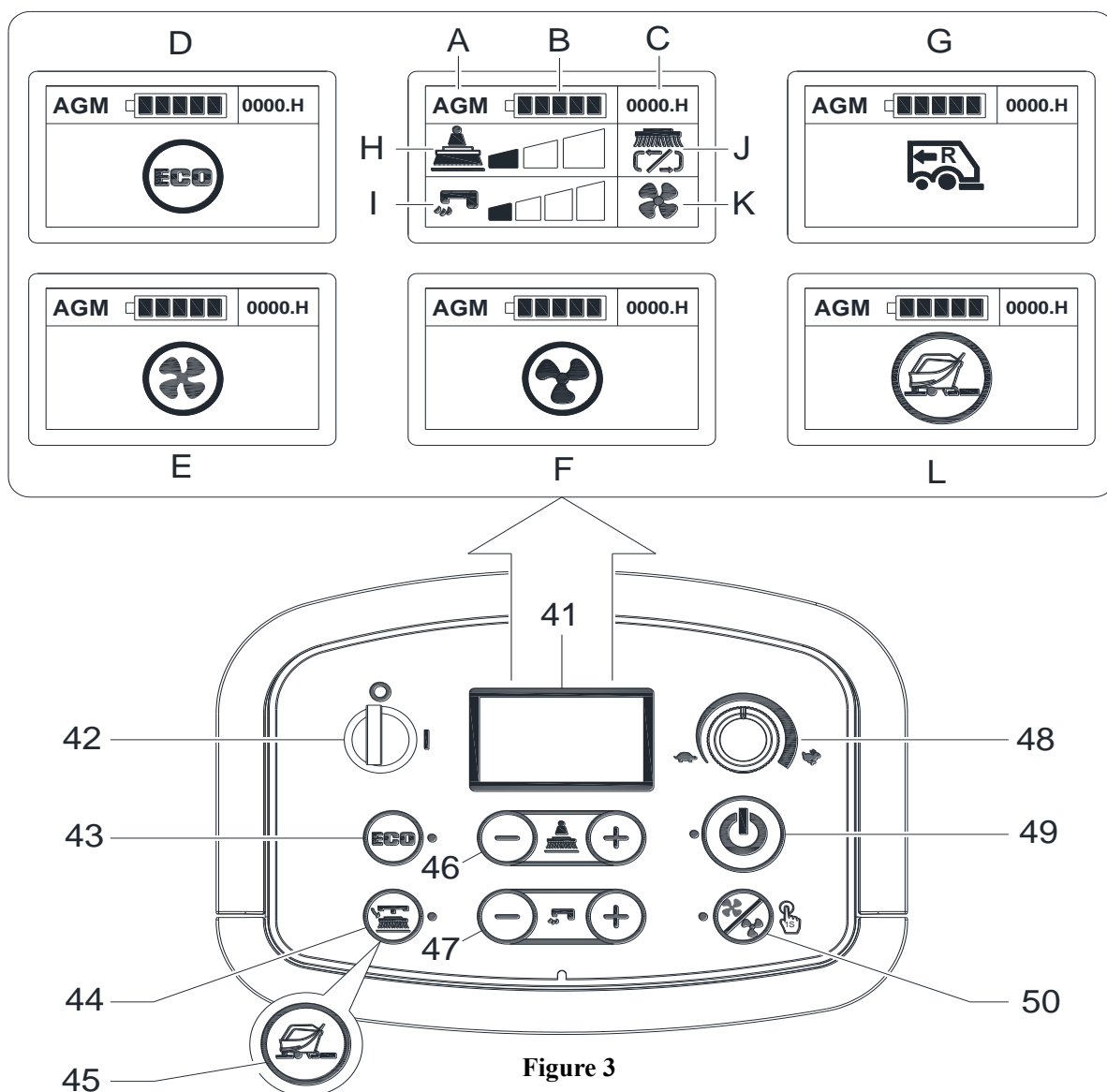


Figure 3

CARACTERISTIQUES TECHNIQUES

Type de paramètre	Unités	Modèle		
		AS6690T	AS7690T	AS7190TO
Capacité du réservoir de solution	L / Gal	85 l / 22 gal.		
Capacité du réservoir de récupération	L / Gal	90 L / 24 gal.		
Longueur de la machine	mm/pouces	1490 mm / 59 pouces	1550mm / 61 pouces	1490 mm / 59 pouces
Largeur de la machine avec embouchure	mm/pouces	830 mm / 33 pouces	950 mm / 38 pouces	
Largeur de la machine sans embouchure	mm/pouces	730 mm/29 pouces	830mm/33 pouces	750mm/30 pouces
Hauteur de la machine	mm/pouces	1020 mm/40,2 pouces		
Largeur de travail	mm/pouces	660 mm/26 pouces	760 mm/30 pouces	710 mm/28 pouces
Diamètre des roues motrices	mm/pouces	230 mm/9 pouces		
Pression spécifique des roues motrices sur le sol	N/mm ²	0,67 N/mm ²		
Diamètre roue arrière	mm/pouces	101 mm/4 pouces		
Pression spécifique des roues arrière sur le sol	N/mm ²	0,82 N/mm ²		
Diamètre de la brosse/disque	mm/pouces	330 mm x 2 / 13 pouces x 2	380mm x 2 / 15 pouces x 2	355x710 mm / 14x28 pouces
Pression de la brosse/disque (max)	kg/lbs.	32 kg / 71 lbs 41 kg / 90 lbs 49 kg / 108 lbs	35 kg / 77 lbs 43 kg / 95 lbs 51 kg / 112 lbs	42 kg / 93 lbs 54 kg / 120 lbs 65 kg / 143 lbs
Débit de solution (max) pour réglage	L/gal par minute	(0,9/1,5/2,2/3) litres (0,24/0,39/0,58/0,79) gallons		(0,6/1,1/1,9/2,5) litres (0,16/0,29/0,5/0,66) gallons
Niveau de pression acoustique	dB (A)	69 ± 3 dB (A)		
Niveau de pression acoustique en mode ECO ou en mode silencieux	dB (A)	65 ± 3 dB (A)		
Niveau de vibration de la poignée (max)	m/s ²	< 2,5 m/s ²		
Pente admissible (max)	% degré	2 %		
Braquage min	cm/Pouces	155cm/61 pouces	165 cm/65 pouces	160 cm/63 pouces
Puissance du moteur d'entraînement	Watt / CV	250 W / 0,33 CV		350 W / 0,47 CV
Vitesse de travail	Km/milles à l'heure	0 - 4,0 km / 0 - 2,5 Milles à l'heure		0 - 3, 2 km / 0 - 2,0 milles à l'heure
Vitesse d'avancement	Km/milles à l'heure	0- 4,0 km / 0 - 2,5 milles à l'heure		
Vitesse de marche arrière	Km/milles à l'heure	0- 2,0 km / 0 - 1,25 mille à l'heure		
Puissance du moteur d'aspiration	Watt / CV	500 W / 0,66 CV		
Capacité d'aspiration	mm/In de H ₂ O	1500 mm/ 60 In de H ₂ O		
Capacité d'aspiration en mode ECO ou en mode silencieux	mm/In de H ₂ O	900 mm/ 35 In de H ₂ O		
Puissance du moteur de la brosse	Watt / CV	500 x 2 Watt / 0,66 x 2 CV		750 Watt / 1,0 CV
Vitesse de brosse en mode normal	Tr/min	200 tr/min		2200 tr/min
Vitesse de brosse en mode ECO	Tr/min	160 tr/min		1600 tr/min
Indice de protection IP	IP	IP24		
Dimensions du compartiment de la batterie avec chargeur non-embarqué (L x l x h)	mm/pouces	(620 x 385 x 390) mm / 24,4 x 15,1 x 15,3 pouces		
Dimensions du compartiment de la batterie avec chargeur embarqué branché (L x l x h)(*)	mm/pouces	(535 x 385 x 390) mm / 21 x 15,1 x 15,3 pouces		
Tension	CC	24 V		
Batteries (*)	Ah	SO		
Temps de fonctionnement de la batterie (batteries standard) (*)	Heure	Jusqu'à 4 heures		
Chargeur embarqué (*)	Volts/A	24V 25A		
Productivité (max)	m ² /h	2640 m ² /h	3040 m ² /h	2272 m ² /h
Poids de la machine avec des réservoirs vides (sans batteries)	kg/lbs.	135 kg / 298 lbs	138 kg / 304 lbs	148 kg / 326 lbs.
Masse totale en charge (MTC)	kg/lbs.	347 kg / 765 lbs.	350 kg / 772 lbs.	360 kg / 794 lbs.
Poids d'expédition	kg/lbs.	202 kg / 444 lbs.	205 kg / 451 lbs.	215 kg / 473 lbs.
Dimensions de l'emballage (L x l x h)	mm/pouces	(1620 x 810 x 1200 mm) / (64 x 32 x 48 pouces)	(1660 x 910 x 1200 mm) / (66 x 36 x 48 pouces)	

(*) : Options

GUIDE D'UTILISATION

**AVERTISSEMENT !**

En certains endroits de la machine il y a des plaques adhésives indiquant :

- DANGER !
- AVERTISSEMENT !
- ATTENTION !
- CONSULTATION

En lisant ce manuel, l'opérateur doit prêter une attention particulière aux symboles figurant sur les plaques. Ne pas couvrir ces plaques pour une raison quelconque et les remplacer immédiatement en cas de détérioration.

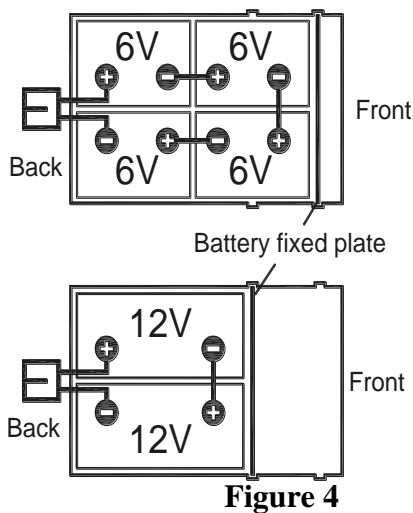
VÉRIFICATION/RÉGLAGE DE LA BATTERIE SUR UNE NOUVELLE MACHINE

**AVERTISSEMENT !**

Les composants électriques de la machine peuvent être sérieusement endommagés si les batteries sont soit mal installées ou mal connectées. Les batteries doivent être uniquement installées par un personnel qualifié. Régler le circuit électronique de la fonction et le chargeur de batterie embarqué selon le type de batteries utilisé (batteries à LIQUIDE ou GEL/AGM). Vérifier si les batteries sont endommagées avant de les installer. Déconnecter le connecteur de la batterie et la fiche du chargeur de batterie. Manipuler les batteries avec grande précaution. Installer les bouchons de protection des bornes de la batterie fournis avec la machine.

Batteries déjà installées dans la machine

1. Vérifier que le connecteur de batterie (29, Figure 2) est connecté.

**REMARQUE**

La machine nécessite deux batteries de 12V ou quatre batteries de 6V, connectées selon le schéma de câblage (Figure 4).

Mettre correctement la plaque fixe de la batterie conformément à la (Figure 4).

2. À la première utilisation de la machine avec des batteries neuves, effectuer un cycle de charge complet (voir la procédure au chapitre Entretien).

Sans batterie

1. Acheter des batteries adaptées (voir le paragraphe « Données Techniques »). Pour le choix et l'installation des batteries, s'adresser à des revendeurs de batteries qualifiés.
2. Régler la machine selon le type de batteries installé comme indiqué dans le paragraphe « Superviseur » du chapitre Entretien.

INSTALLATION DES BATTERIES ET RÉGLAGE DU TYPE DE BATTERIE (WET OR GEL/AGM OR DIS OR ENES)

Installation de la batterie

1. Ouvrir le couvercle du réservoir de récupération (1, Figure 1) et vérifier si le réservoir de récupération (16) est vide ; sinon, le vider avec le tuyau de vidange. (37, Figure 2)
2. Fermer le couvercle du réservoir de récupération (1, Figure 1).
3. Soulever le réservoir de récupération (16, Figure 1) avec prudence.
4. La machine est équipée de câbles adaptés à l'installation de deux batteries de 12V ou de quatre batteries de 6V. Mettre soigneusement les batteries dans le compartiment, puis les installer correctement. Mettre correctement la plaque fixe de la batterie conformément à la (Figure 4).
5. Acheminer et installer le câble de la batterie comme indiqué dans la (Figure 4), puis serrer soigneusement l'écrou sur chaque borne de la batterie.
6. Placer le bouchon de protection sur chaque borne, puis connecter le connecteur de la batterie (29, Figure 2).
7. Abaisser doucement le réservoir de récupération (16, Figure 1).

Réglage du type de batterie (WET OR GEL/AGM OR DIS OR ENES)

Accès pour sélectionner le mode de batterie

Selon le type de batteries (AVEC ENTRETIEN ou GEL/AGM), régler la machine comme suit :

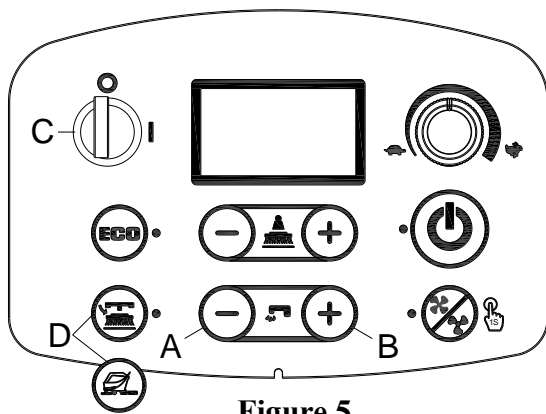


Figure 5

Access to select battery mode

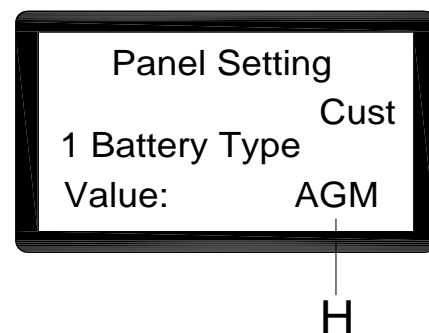


Figure 6

1. Presser le bouton de débit d'eau « + » (A, Figure 5) et « - » (B, Figure 5) en même temps.
2. Mettre la clé de contact (C, Figure 5) et la tourner sur « I ».
3. Après plusieurs secondes, entrer dans l'écran de sélection du mode de batterie (Figure 6)
4. Presser le bouton de débit d'eau « - » (A, Figure 5) et « + » (B, Figure 5) pour sélectionner le mode de batterie (H, Figure 6)
5. Appuyez sur le bouton de déblocage pour la version disque ou sur le bouton de préparation du sol pour la version orbitale (D, Figure 5), 3 secondes plus tard, « Mise à jour OK » s'affiche ce qui signifie que le réglage est réussi. Mettre le contact pour redémarrer. (C, Figure 5)

Réglage du chargeur de batterie (uniquement pour les chargeurs embarqués, s'ils sont installés)



AVERTISSEMENT !

Ne pas régler le chargeur sans avoir une formation professionnelle adaptée

1. Arrêter la machine et démonter le chargeur embarqué (A, Figure 7) de la machine. Forcer l'ouverture de l'étiquette sur le couvercle du chargeur (B, Figure 7), les 2 réglages de commutateurs Dip (SW1 et SW2) se trouvent dans le chargeur.
2. Seul le réglage du commutateur DIP SW1 (celui de gauche) influence la sélection de la courbe de chargement selon le tableau ci-dessous.

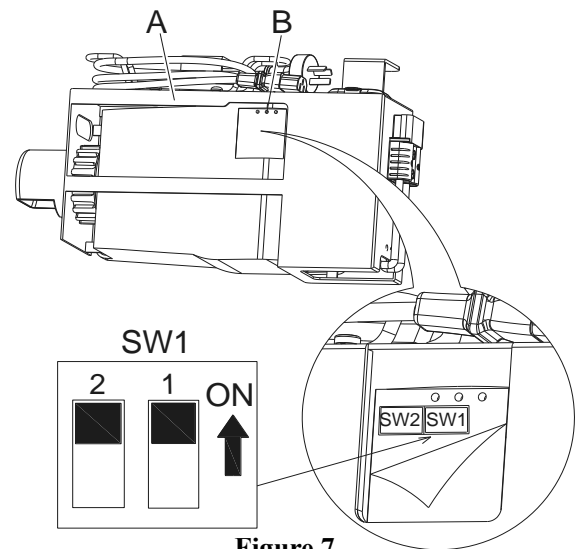


Figure 7

DP1	DP2	COURBE DE CHARGEMENT
ON Branché	OFF Débranché	IUIa-ACD pour les batteries au plomb (à liquide)
OFF Débranché	OFF Débranché	IUIa-GEL pour les batteries à gel d'Exide-Sonnenschein
OFF Débranché	ON Branché	IUU0-GEL pour les batteries à gel HAZE et AGM d'autres fabricants
ON Branché	ON Branché	IUIUa-AGM pour les batteries Discover AGM

Chargement des batteries

Charger totalement les batteries (voir la procédure au chapitre d'entretien).

Déchargement des batteries

Lorsque la barre indicatrice des batteries est remplie (G, Figure 8), les batteries permettent un fonctionnement normal de la machine. Lorsque la barre indicatrice des batteries est faible (H, Figure 8), celles-ci doivent être chargées. Quelques secondes après l'affichage de l'indication de batterie faible, la brosse /support de disque est automatiquement coupé, tandis que le système de traction reste en marche. Conduire immédiatement la machine jusqu'à l'emplacement de recharge indiqué.

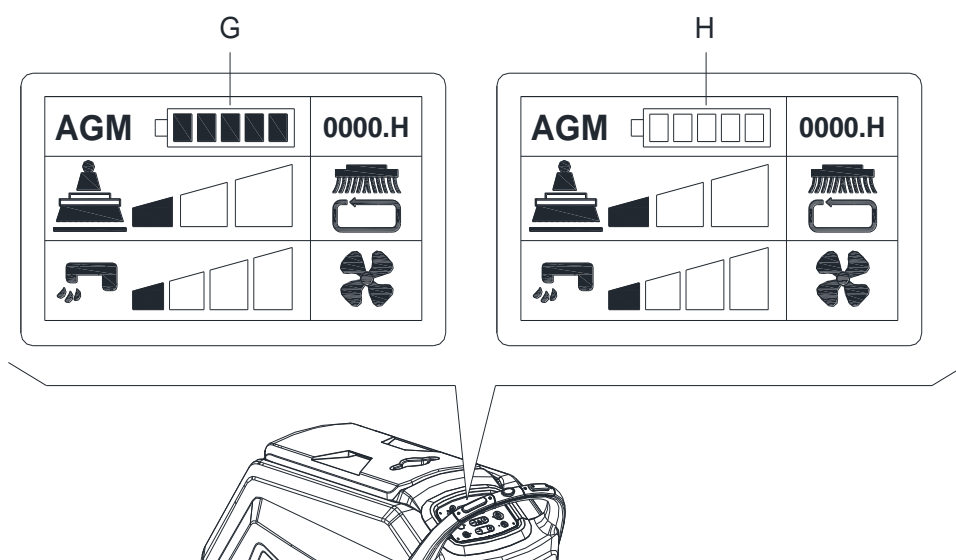


Figure 8



ATTENTION !

Lorsque les batteries sont déchargées, les charger dès que possible, puisque cette situation raccourcit leur durée de vie. Contrôler la charge des batteries au moins une fois par semaine.

POSE ET DÉPOSE DE LA BROSSE/SUPPORT DISQUE (uniquement pour les machines à disque)**REMARQUE**

Installer soit la brosse (A, Figure 9) ou le support de disque (B et C, Figure 9) selon le type de sol à nettoyer.

**ATTENTION !**

Avant la pose ou la dépose de la brosse ou du support de disque, s'assurer que tous les interrupteurs de la machine sont en position d'arrêt et que l'embouchure est soulevée du sol. L'opérateur doit être équipé des équipements de protection individuelle appropriés tels que des gants afin de réduire le risque d'accidents.

Procéder comme suit :

POSE :

1. Insérer la clé de contact (42, Figure 3) et la tourner sur « I ». Soulever le plateau. Couper la machine en enlevant la clé de contact (42).
2. Mettre le régulateur de vitesse (48) sur ralenti en le tournant dans le sens anti-horaire.
3. Placer les brosses (A, Figure 9) ou le support de disque (B) sous le plateau.
4. Utiliser la méthode manuelle en tournant la brosse/support de disque dans le sens contraire du sens de rotation normal. L'installation peut alors avoir lieu. (cf. la Figure 9)

DÉPOSE

1. Insérer la clé de contact (42, Figure 3) et la tourner sur « I ». Pour retirer la brosse/support de disque, soulever le plateau en appuyant sur le bouton de déblocage brosse/support de disque (44), la brosse/support de disque sera automatiquement débloqué.

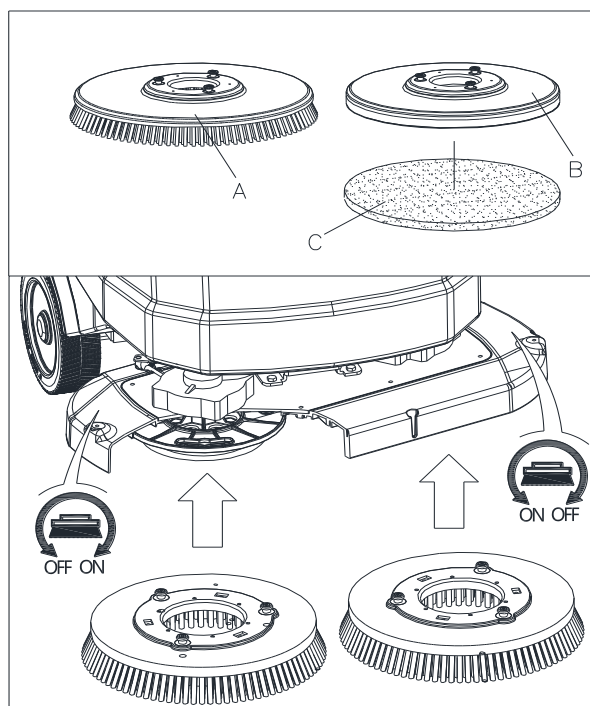


Figure 9

POSE ET DÉPOSE DE DISQUE (uniquement pour les machines orbitales)

1. Insérer la clé de contact (42, Figure 3) et la tourner sur « I ». Soulever le plateau. Couper la machine en enlevant la clé de contact.
2. Utiliser la méthode manuelle pour poser ou déposer le disque cf. (Figure 10)

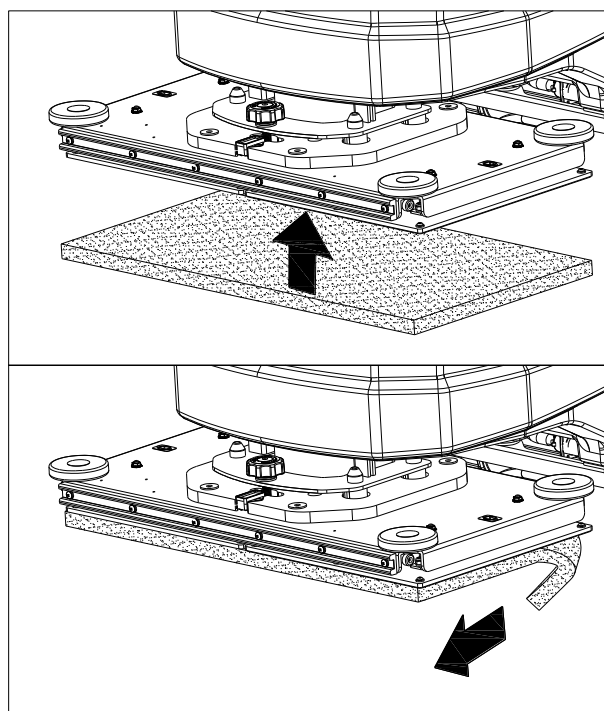


Figure 10

AJUSTEMENT DE L'ÉQUILIBRE DE L'EMBOUCHURE

- Poser l'embouchure et serrer l'écrou (H, Figure 11), puis raccorder le tuyau d'aspiration (G) à l'embouchure.
- Régler l'embouchure avec la poignée de réglage (A, Figure 11).
 - S'il y a un écart entre le sol et la section centrale de la lame arrière de l'embouchure (B), régler le bouton (A) dans le sens anti-horaire (F) jusqu'à ce que toutes les sections de lamelle arrière de l'embouchure soient bien au contact du sol, la lamelle avant touchant légèrement le sol.
 - S'il y a un écart entre le sol et les deux extrémités de la lamelle arrière (C et D), régler le bouton (A) dans le sens horaire (E) jusqu'à ce que toutes les sections de lamelle arrière de l'embouchure soient bien au contact du sol, la lamelle avant touchant légèrement le sol.

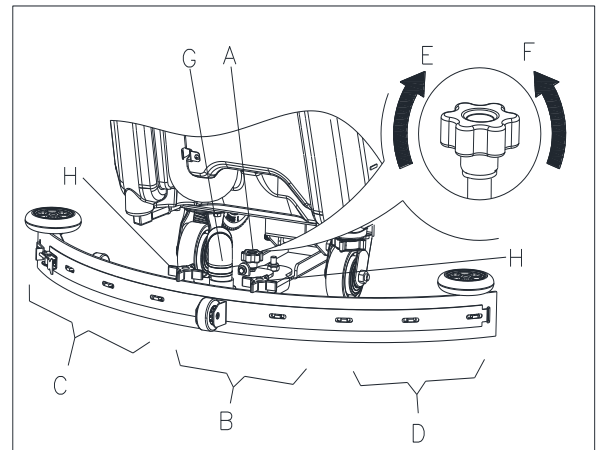


Figure 11

REPLISSAGE DU RÉSERVOIR DE SOLUTION

- Ouvrir le couvercle d'entrée d'eau (B, Figure 12).
- Remplir d'eau ou de solution adaptée aux performances par l'entrée d'eau avec filtre. La température de la solution ne doit pas dépasser +104F (+40°C).
- Ne pas trop remplir le réservoir, se reporter à l'indicateur de niveau d'eau (H) pour le volume d'eau.



AVERTISSEMENT !

Utiliser uniquement des détergents à faible pouvoir moussant et non-inflammables, qui sont destinés à des applications à l'autolaveuse.

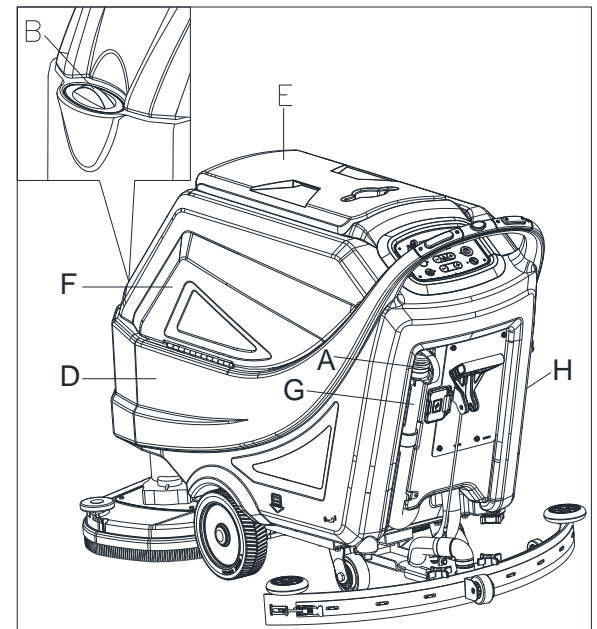


Figure 12

DÉMARRAGE/ARRÊT DE LA MACHINE

Démarrage de la machine

- Préparer la machine comme indiqué dans le paragraphe précédent.
- Mettre la clé de contact (A, Figure 13) et la tourner sur « I ». Contrôler l'état des batteries à l'écran. Au besoin charger totalement les batteries (voir la procédure au chapitre d'entretien).
- Conduire la machine jusqu'à la zone de travail :
 - En appuyant soit sur le commutateur de sécurité (F) pour avancer soit sur le commutateur de sécurité (F) et le commutateur de marche arrière (G) pour reculer. La vitesse d'avancement peut être réglée avec le dispositif de réglage (H).
- Abaisser l'embouchure (I) avec la poignée de montée/descente de l'embouchure (J).
- Abaisser le plateau de brosse/support de disque (K) en pressant le bouton unique de démarrage (L)
- Presser les boutons de commande du débit de solution (O), si nécessaire, en fonction du type de nettoyage à effectuer.
- Commencer le nettoyage :
 - Presser chaque commutateur de sécurité (F) pour activer la conduite de la machine. Si nécessaire, la vitesse d'avancement peut être réglée avec le dispositif de réglage (H).

**REMARQUE**

Pour déplacer la machine vers l'avant, appuyer soit sur le commutateur gauche soit sur le droit (F, Figure 13) ou sur les deux.

Arrêt de la machine

8. Arrêter la machine en relâchant les commutateurs de sécurité (F, Figure 13)
9. Les brosses s'arrêtent. Le système d'aspiration s'arrête au bout de quelques secondes.
10. Lever le plateau de brosse/support de disque (K) en pressant le bouton unique de démarrage (L)
11. Soulever l'embouchure (I) avec la poignée de montée/descente de l'embouchure (J).
12. Tourner la clé de contact (A) sur « 0 ».
13. S'assurer que la machine ne peut pas bouger de façon indépendante.

FONCTIONNEMENT DE LA MACHINE (BROSSAGE ET SÉCHAGE)

1. Démarrer la machine, comme indiqué dans les paragraphes précédents.
2. Après avoir pressé chaque commutateur de sécurité (35, Figure 2), manœuvrer la machine et démarrer le lavage/séchage du sol.
3. Si nécessaire, arrêter la machine puis régler l'embouchure selon la section « Réglage de l'équilibre de l'embouchure ».

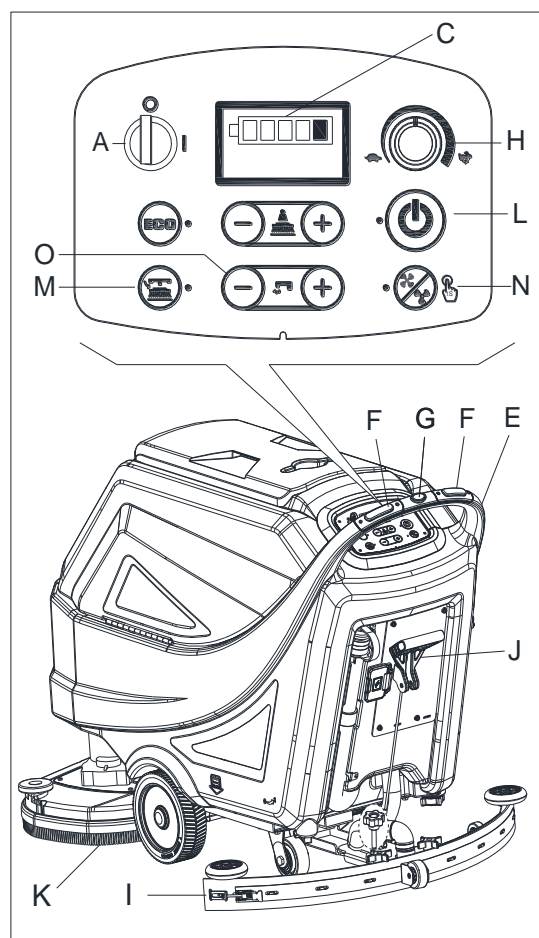


Figure 13

RÉGLAGE DU NIVEAU DE PLATEAU ORBITAL (UNIQUEMENT POUR LES MACHINES ORBITALES)

1. Mettre la clé de contact (42) et la tourner sur « I ». Abaisser le plateau de brosse/support de disque (25) en pressant le bouton unique de démarrage (49)
2. Régler le niveau du plateau orbital en réglant la poignée (A, Figure 14) de façon que la bulle soit au centre (B, Figure 14).

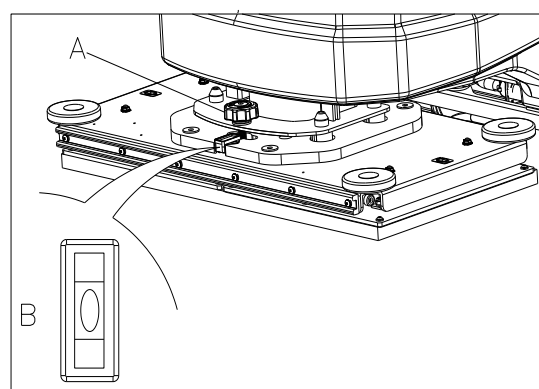


Figure 14

**REMARQUE**

Pour un lavage/séchage corrects des sols au niveau des plinthes, il est suggéré de s'approcher au plus près des murs avec le côté droit de la machine (A et B, Figure 15) comme sur la figure.

**ATTENTION !**

Pour éviter tout dommage à la surface du sol, éteindre la brosse/le support de disque lorsque la machine s'arrête en un point, en particulier lorsque la fonction de pression supplémentaire est activée.

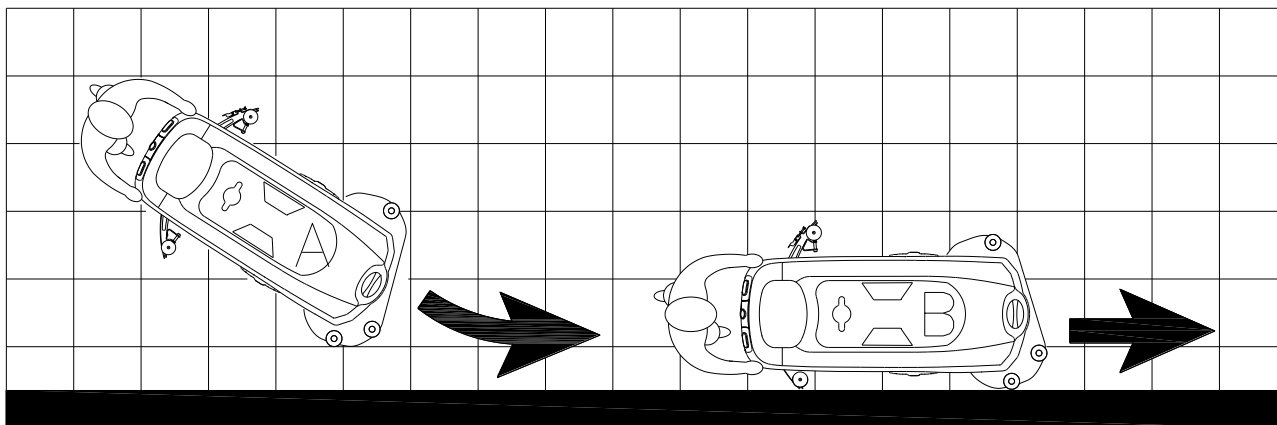


Figure 15

VIDANGE DU RÉSERVOIR

Un système automatique de fermeture à flotteur (A, Figure 16) bloque le système d'aspiration lorsque le réservoir d'eau de récupération (B) est plein. La désactivation du système d'aspiration est indiquée par une augmentation soudaine de la fréquence du bruit du moteur du système d'aspiration, le sol aussi ne sera pas sec.

**ATTENTION !**

Si le système d'aspiration s'éteint accidentellement (par exemple, lorsque le flotteur est activé en raison d'un mouvement soudain de la machine), pour reprendre l'opération : désactiver le système d'aspiration en appuyant sur le commutateur (50, Figure 3), puis ouvrir le couvercle (C, Figure 16) et vérifier que le flotteur à l'intérieur de la grille (A) a baissé jusqu'au niveau de l'eau. Ensuite, fermer le couvercle (C) et mettre le système d'aspiration en marche en appuyant sur le commutateur (50, Figure 3).

Lorsque le réservoir d'eau de récupération (B, Figure 16) est plein, le vider selon la procédure suivante.

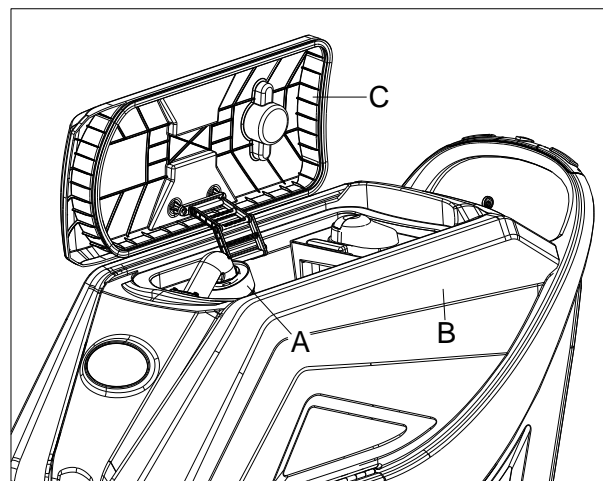


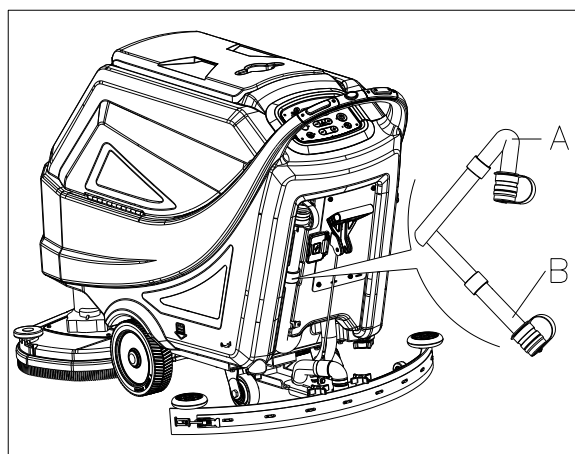
Figure 16

Vidange du réservoir d'eau de récupération

1. Arrêter la machine.
2. Lever le plateau de brosse/support disque (25, Figure 1) en pressant le bouton de démarrage (49, Figure 3) ou redémarrer la machine par la clé de contact (42, Figure 3).
3. Soulever l'embouchure (11, Figure 1) avec la poignée de montée/descente de l'embouchure (39, Figure 2).
4. Conduire la machine jusqu'à la zone d'élimination désignée.
5. Vider le réservoir d'eau de récupération avec le tuyau (A, Figure 17). Ensuite, rincer le réservoir (B, Figure 16) avec de l'eau propre.

**ATTENTION !**

Lors de la vidange des eaux usées, le tuyau de vidange doit être pincé (A, Figure 17) et abaissé en position inférieure (B, Figure 17) puis ouvrir le bouchon du tuyau de vidange pour vidanger l'eau. Ne pas orienter vers le haut le tuyau de vidange, afin de drainer l'eau à la verticale. Ceci afin d'éviter que les eaux usées se déversent sur l'opérateur.

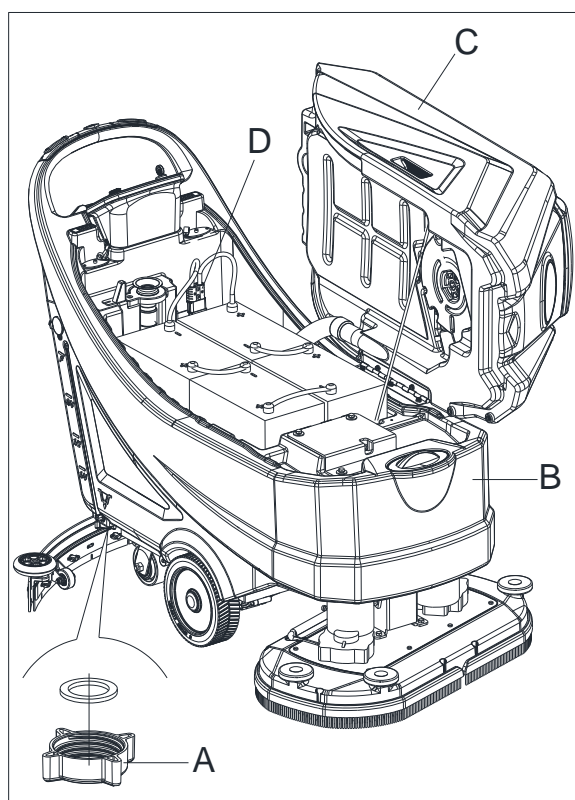
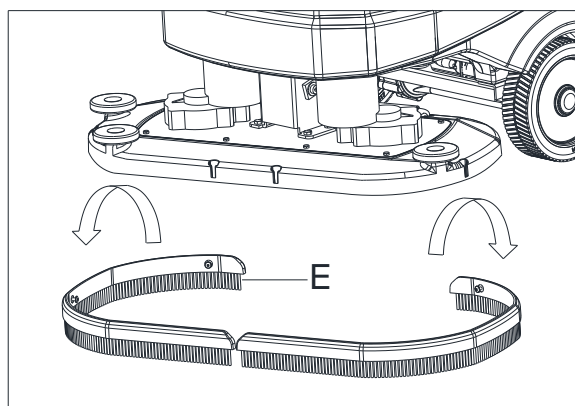
**Figure 17****Vidange du réservoir de solution/d'eau propre**

1. Vider le réservoir de solution par le bouchon de vidange (A, Figure 18). Après avoir travaillé, rincer le réservoir avec de l'eau propre.

APRÈS UTILISATION DE LA MACHINE

Après utilisation, avant de ranger la machine :

1. Enlever les brosse/soutiens de disque en pressant le bouton de déblocage (44, Figure 3) et les nettoyer (uniquement pour les machines à disque).
2. Retirer la jupe anti-éclaboussure (cf. E, Figure 19) et la nettoyer (uniquement pour les machines à disque)
3. Retirer le disque et le nettoyer. (uniquement pour les machines orbitales)
4. Vider les réservoirs (B et C, Figure 18), comme indiqué dans le paragraphe précédent.
5. Effectuer les procédures d'entretien quotidien (voir le chapitre d'entretien).
6. Ranger la machine dans un endroit propre et sec, avec les brosses/soutiens de disque et l'embouchure soulevés ou retirés.

**Figure 18****Figure 19**

STOCKAGE DE MACHINE PENDANT UNE LONGUE INACTIVITÉ

Si la machine n'est pas utilisée pendant plus de 30 jours, procéder comme suit :

1. Effectuer les procédures indiquées dans le paragraphe « Après utilisation de la machine ».
2. Déconnecter le connecteur de la batterie (29, Figure 2).

PREMIÈRE PÉRIODE D'UTILISATION

Après les 8 premières heures, vérifier le serrage de la machine et les pièces de liaison pour un serrage correct et vérifier les pièces visibles pour l'usure et les fuites.

ENTRETIEN**AVERTISSEMENT !**

Les procédures d'entretien doivent être effectuées après que la machine ait été éteinte et le câble du chargeur de batterie ait été débranché. En outre, lire attentivement les chapitres de sécurité dans le Manuel.

Toutes les procédures de maintenance programmées ou extraordinaires doivent être effectuées par un personnel qualifié ou un centre d'entretien agréé. Ce manuel ne décrit que les procédures d'entretien générales et communes.

Pour les autres procédures d'entretien qui ne sont pas dans le calendrier d'entretien ci-dessous, veuillez vous référer au manuel d'entretien qui peut être consulté à tout centre agréé.

CALENDRIER D'ENTRETIEN PROGRAMME**ATTENTION !**

La procédure, indiquée avec (1), doit être effectuée lorsque la machine est utilisée après 8 heures pour la première fois. La procédure, indiquée avec (2) doit être effectuée par un centre d'entretien agréé par notre société.

Procédure	Quotidien, après chaque utilisation	Chaque semaine	Semestriellement	Chaque année
Chargement des batteries				
Nettoyage de l'embouchure				
Nettoyage de la brosse/du support de disque				
Nettoyage du réservoir				
Inspection du joint de couvercle du réservoir				
Nettoyage du filtre à flotteur				
Nettoyage du disque				
Nettoyage de la jupe anti éclaboussure (uniquement pour les machines à disque)				
Vérification et remplacement de la lamelle de l'embouchure				
Nettoyage du filtre à eau				
Nettoyage du filtre d'aspiration				
Vérification du niveau de liquide de la batterie À LIQUIDE				
Inspection du serrage des vis et écrous			(1)	
Sectionneur inférieur (uniquement pour les machines orbitales)			(2)	
Vérification ou remplacement des charbons du moteur de brosse				(2)
Vérification ou remplacement des charbons du moteur d'aspiration				(2)
Vérification ou remplacement des charbons du moteur de traction				(2)

UVOD**OPREZ!**

Ovaj priručnik ne sadrži neke opće i detaljne informacije o stroju.

Proučite PRIRUČNIK ZA BRZI POČETAK RADA na isporučenom CD-ROM-u i čitajte ga u programu Adobe® Reader®.

**NAPOMENA**

Brojevi u zagradama odnose se na komponente, prikazane u poglavlju Opis stroja.

SVRHA I SADRŽAJ PRIRUČNIKA

Svrha ovog Priručnika za brzi početak rada je pružiti rukovatelju sve osnovne informacije za pravilno korištenje stroja. Za informacije o tehničkim karakteristikama, načinu rada, nekorištenju stroja, rezervnim dijelovima i sigurnosnim uvjetima, itd. proučite PRIRUČNIK ZA BRZI POČETAK RADA na isporučenom CD-ROM-u.

Prije izvođenja bilo kakvih postupaka strojem rukovatelji i kvalificirani tehničari moraju pročitati Priručnik za brzi početak rada. Obratite se našem poduzeću u slučaju dvojbi koje se tiču tumačenja uputa ili za bilo kakve dodatne informacije.

KAKO ČUVATI OVAJ PRIRUČNIK ZA BRZI POČETAK RADA

Priručnik za brzi početak rada mora se čuvati u blizini stroja, unutar odgovarajuće kutije, daleko od tekućina i drugih tvari koje bi ga mogle oštetiti.

IZJAVA O SUKLADNOSTI

Izjava o sukladnosti isporučuje se sa strojem i potvrđuje sukladnost stroja sa zakonima koji su na snazi.

**NAPOMENA**

Kopije originalne Izjave o sukladnosti isporučuju se zajedno s dokumentacijom o stroju.

PRIBOR I ODRŽAVANJE

Sve potrebne postupke, održavanje i popravak mora obaviti kvalificirano osoblje, servisni centar kojeg imenuje naše poduzeće. Smiju se koristiti SAMO originalni ili odobreni rezervni dijelovi i pribor.

Obratite se korisničkoj službi našeg poduzeća za sve servisne usluge ili kupnju pribora ili rezervnih dijelova, po potrebi.

IZMJENE I POBOLJŠANJA

Predani smo stalnom poboljšanju naših proizvoda. Poduzeće pridržava pravo na izmjene i poboljšanja stroja bez dodatnih informacija.

SVRHA UPORABE

Ovaj perlač upotrebljava se u komercijalne i industrijske svrhe. Pogodan je za čišćenje glatkih i tvrdih podova ako njime rukuje kvalificirano osoblje u sigurnim okolnostima. Nije prikladan za uporabu na otvorenom ili na tepisima ili za čišćenje hrapavih podova.

IDENTIFIKACIJSKI PODACI O STROJU

Serijski broj stroja i naziv modela navedeni su na naljepnici serije.

Ova informacija je korisna. Koristite sljedeću tablicu da zapišete identifikacijske podatke o stroju kada tražite rezervne dijelove za stroj.

MODEL STROJA.....
SERIJSKI BROJ STROJA.....

TRANSPORT I SKIDANJE AMBALAŽE

Kada prijevoznik dostavi stroj, uvjerite se da su i ambalaža i stroj čitavi i neoštećeni. Ako primijetite bilo kakvo oštećenje, obavijestite prijevoznika o šteti prije preuzimanja robe kako biste zadržali pravo na naknadu štete.

Strogo se pridržavajte uputa na ambalaži kada stroj vadite iz ambalaže.

Provjerite ambalažu kako biste se uvjerali da su u isporuku uključeni:

1. Tehnička dokumentacija - Priručnik za brzi početak rada
2. Popis dijelova (*).
3. Spajanje akumulatora.
4. Priručnik za elektronski punjač akumulatora (ako je instaliran) (*)

SIGURNOST

Sljedeći simboli ukazuju na potencijalno opasne situacije. Uvijek pažljivo pročitajte ove informacije i poduzmite sve mjere predostrožnosti radi zaštite ljudi i imovine.

VIDLJIVI SIMBOLI NA STROJU**UPOZORENJE!**

Pažljivo pročitajte sve upute prije izvođenja bilo kakvih postupaka strojem.

**UPOZORENJE!**

Ne perite stroj direktnim mlazom vode ili mlazom vode pod tlakom.

**UPOZORENJE!**

Ne koristite stroj na kosinama čiji je nagib veći od nagiba, utvrđenog u specifikacijama stroja.

SIMBOLI KOJI SE POJAVLJUJU U PRIRUČNIKU ZA BRZI POČETAK RADA**OPASNOST!**

Ukazuje na opasnu situaciju s rizikom od smrti po rukovatelja.

**UPOZORENJE!**

Ukazuje na potencijalni rizik od ozljeda za ljude.

**OPREZ!**

Ukazuje na potreban oprez ili napomenu u vezi važnih ili korisnih funkcija. Obratite pozornost na odlomke, označene ovim simbolom.

**NAPOMENA**

Ukazuje na napomenu u vezi važnih ili korisnih funkcija.

**KONZULTIRANJE**

Ukazuje na nužnost konzultiranja Priručnika za brzi početak rada prije obavljanja bilo kakvog postupka.

OPĆE SIGURNOSNE UPUTE

Specifična upozorenja i mjere opreza kojima se informira o potencijalnim rizicima za ljude i stroj prikazani su u nastavku.



OPASNOST!

- Ovim strojem mora rukovati obučeno i ovlašteno osoblje u skladu sa smjernicama iz priručnika.
- Prije izvođenja bilo kakvih radova čišćenja, održavanja, popravaka ili zamjene pažljivo pročitajte sve upute, pobrinite se da stroj bude OFF /ISKLJUČEN/ i odvojite priključak akumulatora.
- Ne koristite stroj u blizini otrovnih, opasnih, zapaljivih i/ili eksplozivnih prahova, tekućina ili pare. Ovaj stroj nije prikladan za prikupljanje opasnih prahova.
- Ne nosite nakit dok radite u blizini električnih komponenti.
- Ne radite ispod podignutog stroja ako ga ne pridržavaju sigurnosni držači.
- Kada koristite olovne (MOKRE) akumulatora, oni mogu ispuštati zapaljivi plin u normalnom radu. Iskre, plamen, materijali koji se dime te predmeti koji zrače, stvaraju rasvjetu i gorivi su moraju biti podalje od akumulatora.
- Kada punite olovne (MOKRE) akumulatora, oni mogu ispuštati plinoviti vodik koji može izazvati eksploziju. Pobrinite se da okolina u kojoj vršite punjenje bude dobro prozračena i daleko od otvorenog plamena.



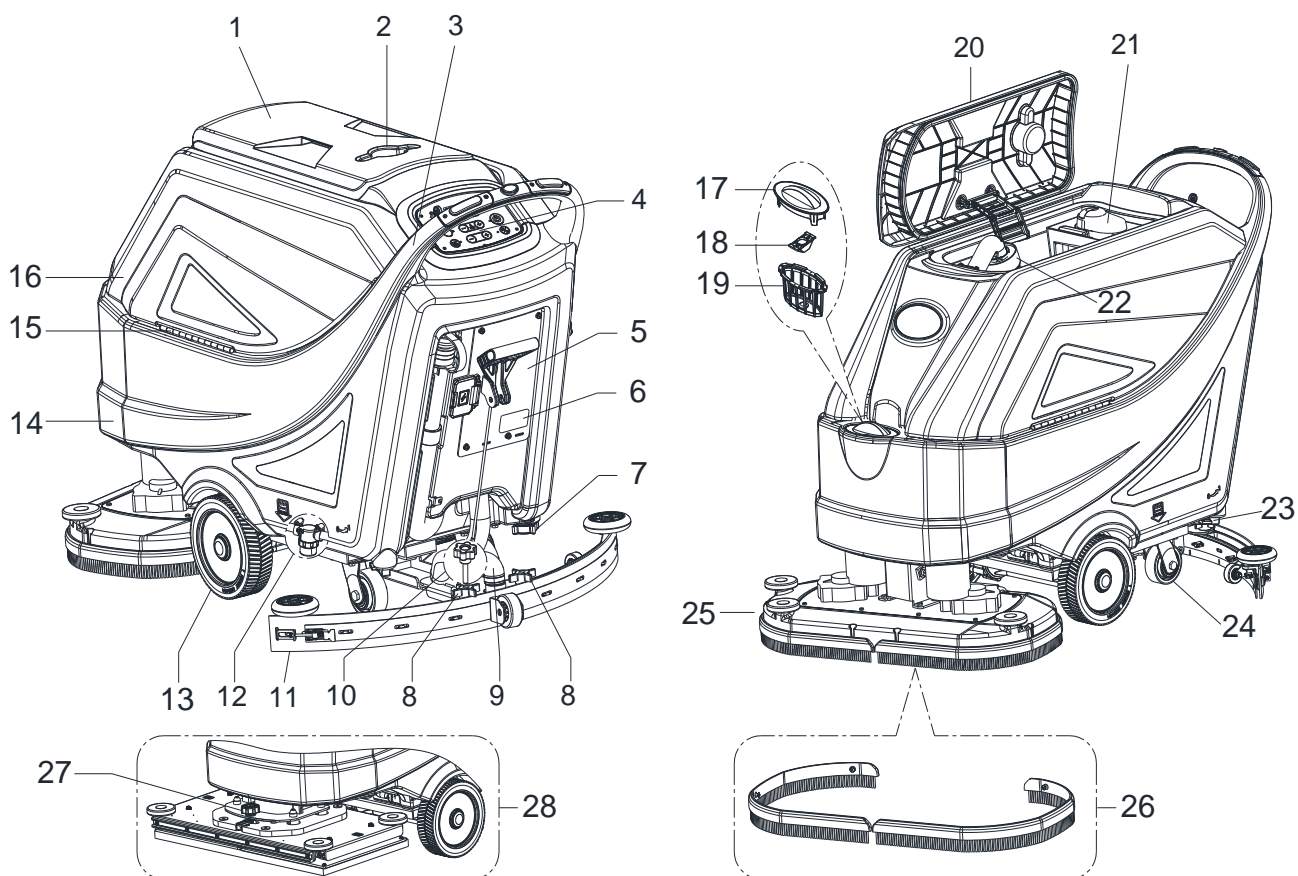
UPOZORENJE!

- Ovaj je stroj predviđen za KOMERCIJALNU UPORABU, npr. u hotelima, školama, bolnicama, tvornicama, trgovinama, uredima i na području poslova iznajmljivanja.
- Strojevi bez nadzora moraju se osigurati od nehotičnog pokretanja.
- Kako bi se spriječilo neovlašteno korištenje stroja, izvor snage mora se isključiti ili zaključati, npr. uklanjanjem ključa glavne sklopke ili ključa za paljenje.
- Pažljivo pregledajte stroj prije svake uporabe. Provjerite jesu li sve komponente dobro montirane prije uporabe. U suprotnome, mogu prouzročiti ozljede i materijalnu štetu.
- Prije korištenja punjača akumulatora uvjerite se da su vrijednosti frekvencije i napona, navedene na naljepnici sa serijskim brojem stroja, iste kao i vrijednosti električne mreže.
- Nikada ne pomičite stroj povlačeći ga za kabel za punjenje akumulatora. Ne provlačite kabel kroz zatvorena vrata niti ga omotavajte oko oštarih bridova ili uglova. Ne prelazite strojem preko kabla punjača akumulatora. Kabel punjača akumulatora držite podalje od zagrijanih površina.
Ne punite akumulatora ako su kabel punjača akumulatora ili utikač oštećeni.
- Kako biste smanjili rizik od požara, strujnog udara ili ozljede, uvjerite se da je stroj isključen prije nego se udaljite.
- Koristite ili skladištite stroj unutra, na suhom mjestu, nije dopušteno koristiti ga na otvorenom.
- Temperatura skladištenja kao i radna temperatura stroja mora biti između 0 °C i +40 °C, vlažnost zraka mora biti između 30 % - 95 %.
- Ne koristite stroj na kosinama čiji je nagib veći od nagiba, prikazanog u specifikacijama stroja.
- Kada koristite i rukujete deterdžentima za čišćenje podova, slijedite upute s naljepnica na bočicama s deterdžentom i nosite odgovarajuće rukavice i zaštitnu opremu.
- Koristite četke i diskove, isporučene sa strojem ili definirane u priručniku. Korištenje drugih četki ili diskova može smanjiti sigurnost.
- U slučaju smetnji u radu stroja, provjerite nije li njihov uzrok nedostatno održavanje. Ako je potrebno, obratite se za pomoć ovlaštenom osoblju ili ovlaštenom servisnom centru.
- Poduzmite sve potrebne mjere predostrožnosti kako pokretni dijelovi stroja ne bi zahvatili kosu, nakit i labavu odjeću.
- Ne koristite stroj u jako prašnjavoj okolini.

- Ne perite stroj direktnim mlazom vode ili mlazom vode pod tlakom ili korozivnim tvarima.
- Ne sudarajte se s policama ili skelama, naročito tamo gdje postoji opasnost od pada predmeta.
- Ne naslanjajte spremnike s tekućinom na stroj, koristite odgovarajući držače bočica.
- Kako biste izbjegli oštećenja poda, pobrinite se da četka/disk ne rade dok je stroj u mirovanju.
- U slučaju požara koristite vatrogasni aparat sa suhim prahom. Ne koristite vatrogasne aparate s tekućinom.
- Ne uklanjajte niti modificirajte naljepnice na stroju.
- Ne manipulirajte sigurnosnim zaštitama stroja i točno se pridržavajte uputa za redovno održavanje.
- Budite pažljivi tijekom transporta stroja kada je temperatura ispod točke smrzavanja. Voda u spremniku za prikupljanje vode i u crijevima mogla bi se smrznuti i prouzročiti ozbiljno oštećenje stroja.
- Ako je potrebno zamijeniti rezervne dijelove, naručite ORIGINALNE rezervne dijelove od ovlaštenih distributera ili trgovaca na malo.
- Vratite stroj u servisni centar ako ne radi kako je uobičajeno ili ako je oštećen, ako je bio ostavljen vani ili pao u vodu.
- Kako bi se zajamčio pravilan i siguran rad stroja, ovlašteno osoblje ili ovlašteni servisni centar moraju obaviti planirano održavanje, prikazano u odgovarajućem poglavlju ovog priručnika.
- Stroj treba zbrinuti u skladu s propisima zbog prisutnosti otrovnih-štetnih materijala (akumulatori, itd.). Njihovo zbrinjavanje podliježe standardima koji propisuju odnošenje u posebne centre (vidi poglavlje Zbrinjavanje).
- Ovaj je stroj predviđen isključivo za čišćenje, ne smije se koristiti u druge svrhe.
- Otvori uvijek moraju biti čisti odn. bez prašine, kose ili drugih stranih materijala koji bi mogli smanjiti protok zraka. Ne koristite stroj ako su otvori začepljeni.
- Koristite stroj samo na mjestima s dobrom rasvjetom.
- Nije predviđeno da ovaj stroj koriste osobe (uključujući djecu) sa smanjenim tjelesnim, senzornim ili mentalnim sposobnostima, ili s nedostatnim iskustvom i znanjem.
- Budite naročito pažljivi ako se stroj koristi u blizini djece.
- Djeca moraju biti pod nadzorom kako bi se zajamčilo da se neće igrati strojem.
- Dok koristite ovaj stroj, pazite da ne ozlijedite ljude i ne oštetite predmete.
- Djeca bez nadzora ne smiju čistiti stroj niti vršiti korisničko održavanje.

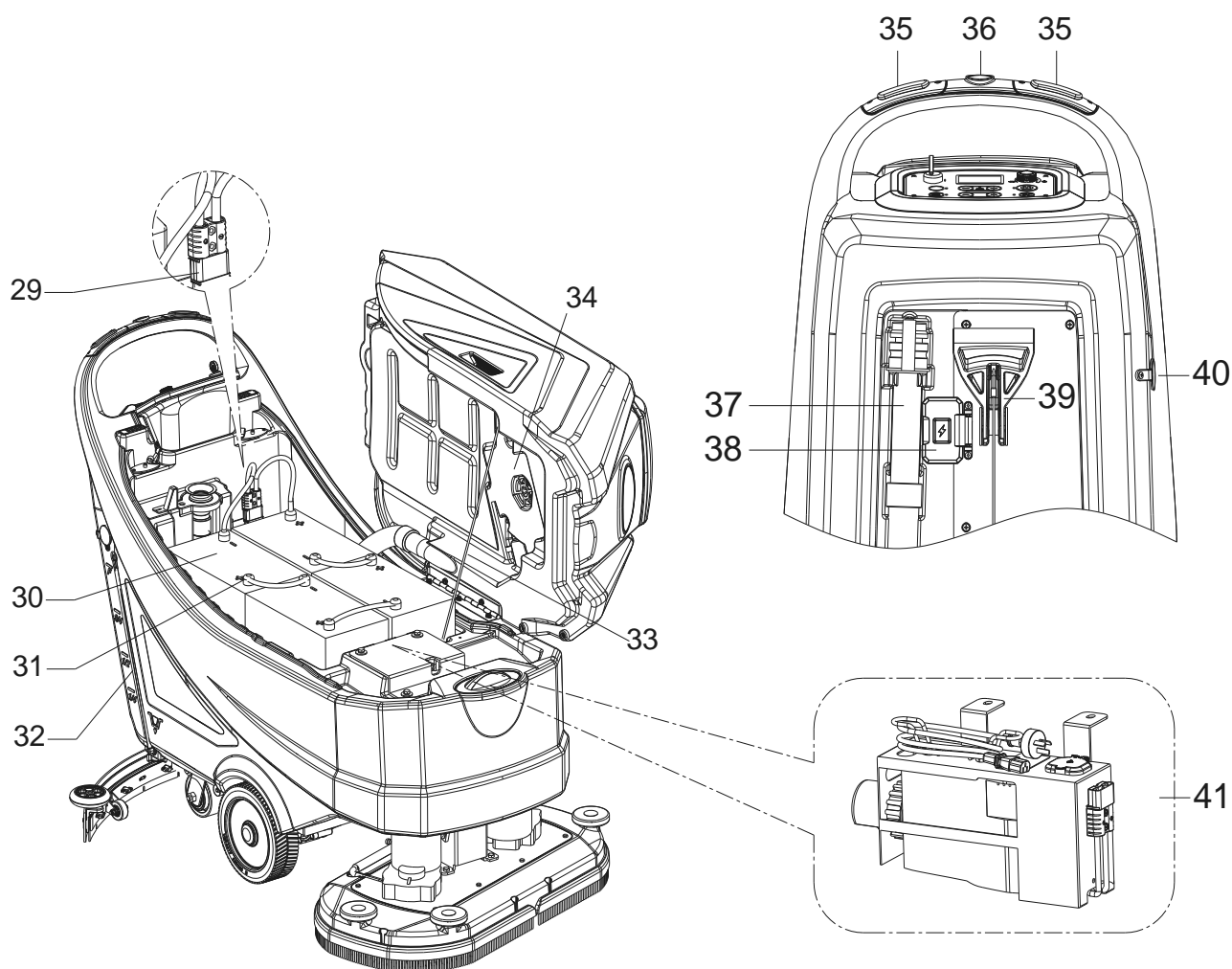
OPIS STROJA**STRUKTURA STROJA (kako je prikazano na slici 1)**

- | | |
|---|--|
| 1. Poklopac spremnika za prikupljanje vode | 15. Šarka |
| 2. Držač bočice | 16. Spremnik za prikupljanje vode |
| 3. Poluga za rukovanje | 17. Poklopac filtra |
| 4. Upravljačka ploča | 18. Držač crijeva za punjenje |
| 5. Upravljačka kutija | 19. Nosač filtra |
| 6. Pločica sa serijskim brojem/tehničkim podacima | 20. Brtva poklopca spremnika |
| 7. Poklopac ispusnog otvora | 21. Kutija za prikupljanje otpada |
| 8. Gumbi brisača | 22. Filtar plutajuće kuglice |
| 9. Usisno crijevo brisača | 23. Čep za otopinu/čistu vodu |
| 10. Gumb za namještanje ravnoteže brisača | 24. Stražnji kotači za upravljanje |
| 11. Brisač | 25. Sustav četki (samo za stroj s diskom) |
| 12. Filtar otopine | 26. Zaštita od prskanja |
| 13. Pogonski kotači | 27. Gumb za namještanje orbitalne glave |
| 14. Spremnik otopine | 28. Orbitalni sustav (samo za orbitalni stroj) |

**Slika 1**

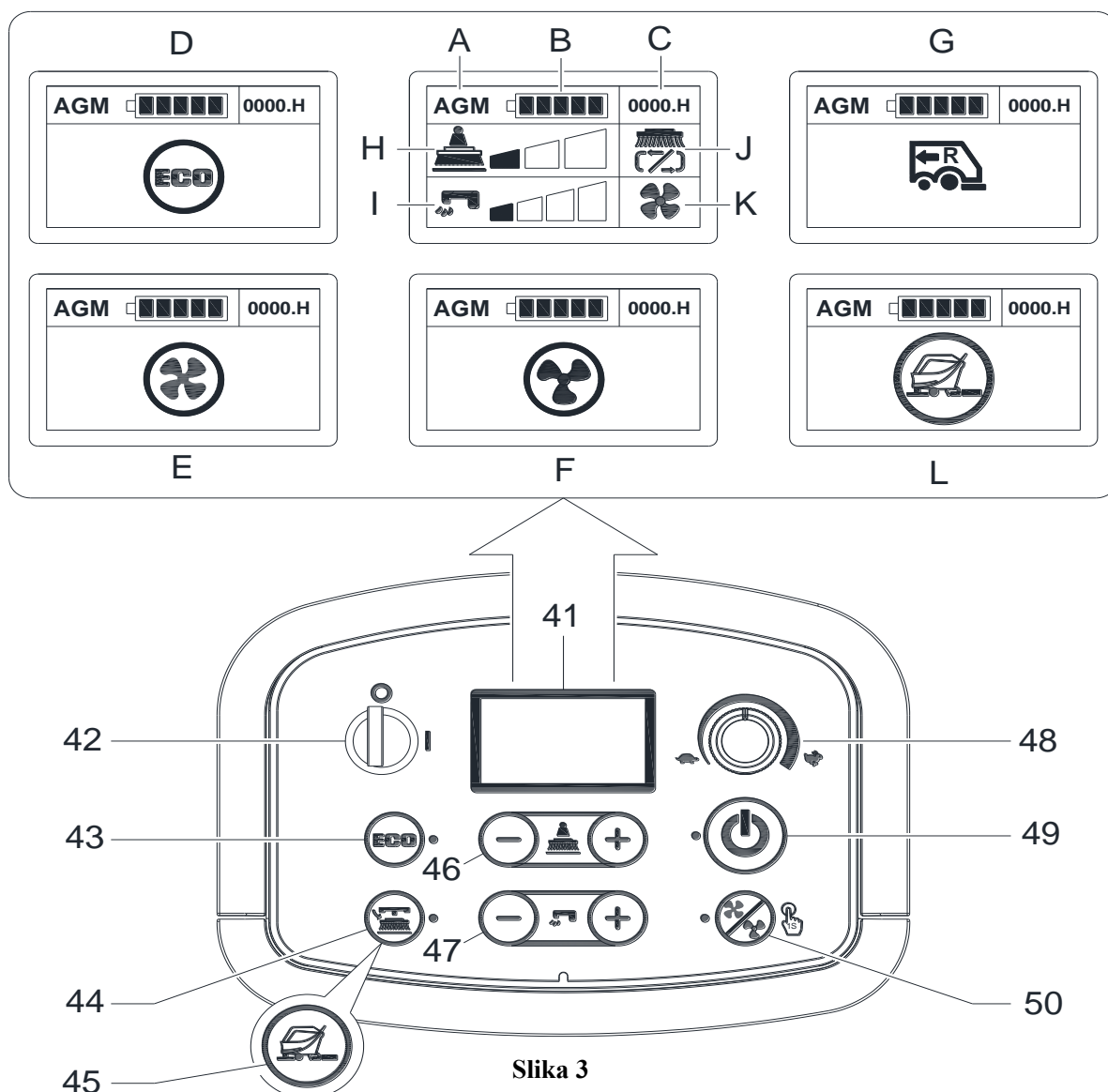
STRUKTURA STROJA (kako je prikazano na slici 2)

- | | |
|-------------------------------------|--|
| 29. Priključak akumulatora (crveni) | 36. Sklopka za vožnju stroja unatrag |
| 30. Akumulatori (*) | 37. Crijevo za ispuštanje prikupljene vode |
| 31. Kapice akumulatora | 38. Sigurnosni poklopac utičnice za punjenje |
| 32. Prikazna cjevčica razine vode | 39. Ručica za podizanje/spuštanje brisača |
| 33. Sigurnosni kabel spremnika | 40. Čep otvora za bočno punjenje spremnika otopine |
| 34. Sustav usisavanja | 41. Ugrađeni punjač (*) |
| 35. Sigurnosna sklopka | (*): opcija |

**Slika 2**

UPRAVLJAČKA PLOČA (kako je prikazano na slici 3)

41. Višenamjenski zaslon
Prikazani elementi:
A) Vrsta akumulatora
B) Razina napunjenosti akumulatora
C) Broj sati u radu
D) ECO način rada
E) Normalno usisavanje
F) Tiho usisavanje
G) Vožnja unatrag
H) Aktivan dodatni pritisak
I) Količina protoka otopine deterdženta
J) Način rada sa četkama
K) Način rada usisavanja
L) Način rada s pripremom poda
42. Ključ za paljenje (0 - I)
43. Gumb ECO načina rada
• uključena LED-dioda - aktiviran rad sa smanjenom snagom
• protok vode na minimumu (razina 1)
• pritisak na minimumu (razina 1)
• usisavanje u tihom načinu rada
44. Gumb za otpuštanje držača četke/diska (samo za stroj s diskom)
• treperava LED-dioda - aktiviran sustav otpuštanja
45. Gumb za pripremu poda (samo za orbitalni stroj)
• Prednamještanje brzine kretanja na 1 km/sat
• uključena LED-dioda - aktiviran rad sa smanjenom snagom
• protok vode na minimumu (razina 1)
• pritisak na maksimumu (razina 3)
• usisavanje u normalnom načinu rada
46. Gumb za namještanje pritiska četke
47. Gumb za namještanje protoka otopine
48. Gumb za namještanje brzine
49. Start pritiskom na jednu tipku
• uključena LED-dioda - aktiviran rad sa smanjenom snagom
• sustav vode na minimumu (razina 1)
• pritisak na minimumu (razina 1)
• normalno usisavanje
50. Gumb za namještanje sustava usisavanja (za aktivaciju držite gumb pritisnutim 1 sekundu)
• uključena LED dioda - normalan način rada
• treperava LED-dioda - tiho usisavanje



Slika 3

TEHNIČKI PARAMETRI

Vrsta parametra	Jedinice	Model		
		AS6690T	AS7690T	AS7190TO
Kapacitet spremnika otopine	l / galona	85 l / 22 gal.		
Kapacitet spremnika za prikupljanje vode	l / galona	90 l / 24 gal.		
Duljina stroja	mm/inča	1490 mm/ 59 inča	1550 mm/ 61 inča	1490 mm/ 59 inča
Širina stroja s brisačem	mm/inča	830 mm / 33 inča	950 mm / 38 inča	
Širina stroja bez brisača	mm/inča	730 mm/29 inča	830 mm/33 inča	750 mm/30 inča
Visina stroja	mm/inča	1020 mm / 40,2 inča		
Radna širina	mm/inča	660 mm / 26 inča	760 mm / 30 inča	710 mm / 28 inča
Promjer pogonskog kotača	mm/inča	230 mm / 9 inča		
Specifični pritisak pogonskog kotača na pod	N/mm ²	0,67 N/mm ²		
Promjer stražnjeg kotača	mm/inča	101 mm / 4 inča		
Specifični pritisak stražnjeg kotača na pod	N/mm ²	0,82 N/mm ²		
Promjer četke/diska	mm/inča	330 mm x 2 / 13 inča x 2	380 mm x 2 / 15 inča x 2	355 x 710 mm / 14 x 28 inča
Pritisak četke/diska (maks.)	kg/funti	32 kg /71 funta 41 kg /90 funti 49 kg /108 funti	35 kg /77 funti 43 kg /95 funti 51 kg /112 funti	42 kg /93 funte 54 kg /120 funti 65 kg /143 funte
Protok otopine (maks.) po postavci	l / gal. po minuti	(0,9/1,5/2,2/3) litre (0,24/0,39/0,58/0,79) galona		(0,6/1,1/1,9/2,5) litre (0,16/0,29/0,5/0,66) galona
Razina zvučnog pritiska	dB (A)	69 ± 3 dB (A)		
Razina zvučnog pritiska u ECO ili tihom načinu rada	dB (A)	65 ± 3 dB (A)		
Razina vibracija ručice (maks.)	m/s ²	< 2,5 m/s ²		
Kapacitet uspona (maks.)	% nagiba	2 %		
Min. okretanje oko prolaza	cm/inča	155 cm/61 inča	165 cm/65 inča	160 cm/63 inča
Snaga pogonskog motora	W / HP	250 W / 0,33 HP		350 W / 0,47 HP
Radna brzina	km / milja na sat	0 - 4,0 km / 0 - 2,5 milje na sat		0 - 3,2 km / 0 - 2,0 milje na sat
Brzina kretanja unaprijed	km / milja na sat	0 - 4,0 km / 0 - 2,5 milje na sat		
Brzina kretanja unatrag	km / milja na sat	0 - 2,0 km / 0 - 1,25 milja na sat		
Snaga usisnog motora	W / HP	500 W / 0,66 HP		
Kapacitet usisavanja	mm/inča H ₂ O	1500 mm / 60 inča H ₂ O		
Kapacitet usisavanja u ECO ili tihom načinu rada	mm/inča H ₂ O	900 mm / 35 inča H ₂ O		
Snaga motora četke	W / HP	500 x 2 W / 0,66 x 2 HP		750 W / 1,0 HP
Brzina četke u normalnom načinu rada	okr./min	200 okr./min		2200 okr./min
Brzina četke u ECO načinu rada	okr./min	160 okr./min		1600 okr./min
Razred zaštite IP	IP	IP24		
Dimenzije pretinca akumulatora s punjačem koji nije ugrađen (d x š x v)	mm/inča	(620 x 385 x 390) mm / 24,4 x 15,1 x 15,3 inča		
Dimenzije pretinca akumulatora s ugrađenim punjačem (d x š x v) (*)	mm/inča	(535 x 385 x 390) mm / 21 x 15,1 x 15,3 inča		
Napon	DC	24 V		
Akumulatori (*)	Ah	N/A		
Trajanje rada akumulatora (standardni akumulatori) (*)	Sati	do 4 sata		
Ugrađeni punjač (*)	V/A	24 V / 25 A		
Učinkovitost (maks.)	m ² /h	2640 m ² /h	3040 m ² /h	2272 m ² /h
Težina stroja s praznim spremnicima (bez akumulatora)	kg/funti	135 kg / 298 funti	138 kg / 304 funte	148 kg / 326 funti
Ukupna težina vozila (GVW)	kg/funti	347 kg / 765 funti	350 kg / 772 funte	360 kg / 794 funte
Transportna težina	kg/funti	202 kg / 444 funte	205 kg / 451 funta	215 kg / 473 funte
Dimenzije ambalaže (d x š x v)	mm/inča	(1620 x 810 x 1200 mm) / (64 x 32 x 48 inča)	(1660 x 910 x 1200 mm) / (66 x 36 x 48 inča)	

(*) opcija

PRIRUČNIK ZA RAD

**UPOZORENJE!**

Na nekim mjestima na stroju nalaze se samoljepljive pločice koje ukazuju na:

- OPASNOST!
- UPOZORENJE!
- OPREZ!
- KONZULTIRANJE

Dok čita ovaj priručnik, rukovatelj mora naročito voditi brigu o simbolima, prikazanima na tim pločicama. Ne prekrivajte ove pločice zbog bilo kojeg razloga i odmah ih zamijenite ako se oštete.

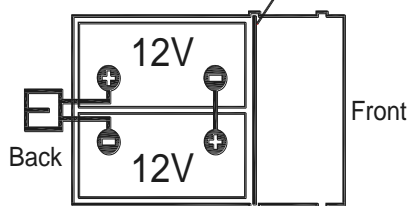
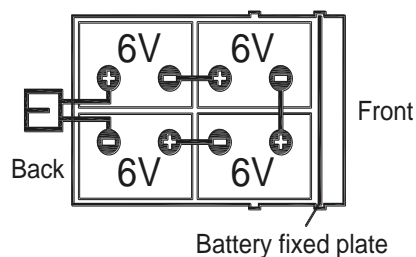
PROVJERA AKUMULATORA/POSTAVLJANJE NA NOVI STROJ

**UPOZORENJE!**

Može doći do ozbiljnih oštećenja električnih komponenti stroja ako su akumulatori nepravilno instalirani ili spojeni. Akumulatore smije instalirati samo kvalificirano osoblje. Namjestite postavke rada elektroničke ploče i ugrađenog punjača akumulatora ovisno o vrsti akumulatora koje koristite (MOKRI ili GEL/AGM). Prije instaliranja akumulatora provjerite jesu li oštećeni. Odvojite priključak akumulatora i utikač za punjenje akumulatora. Budite vrlo pažljivi dok rukujete akumulatorima. Postavite kapice za zaštitu stezaljki akumulatora koje ste dobili sa strojem.

Akumulatori koji su već instalirani u stroj

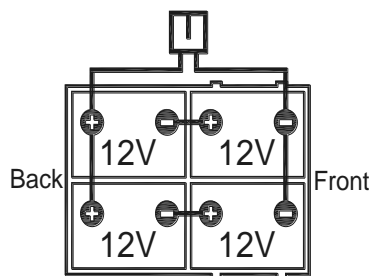
1. Uvjerite se da je priključak akumulatora (29, slika 2) spojen.
2. Pri prvom korištenju stroja s novim akumulatorima obavite potpuni ciklus punjenja (vidi opis postupka u poglavlju Održavanje).



Slika 4

**NAPOMENA**

Za stroj su potrebna dva akumulatora od 12 V ili četiri akumulatora od 6 V, povezana kako je prikazano na dijagramu (slika 4). Pravilno namjestite fiksnu ploču akumulatora (slika 4).

**Bez akumulatora**

1. Kupite odgovarajuće akumulatore (vidi odlomak "Tehnički podaci"). Za izbor i instaliranje akumulatora obratite se kvalificiranim maloprodajnim trgovcima akumulatora.
2. Namjestite postavke stroja ovisno o vrsti instaliranih akumulatora kako je prikazano u odlomku Super korisnički ključ, poglavlje Održavanje.

INSTALIRANJE AKUMULATORA I POSTAVKE TIPA AKUMULATORA (WET OR GEL/AGM OR DIS OR ENES)

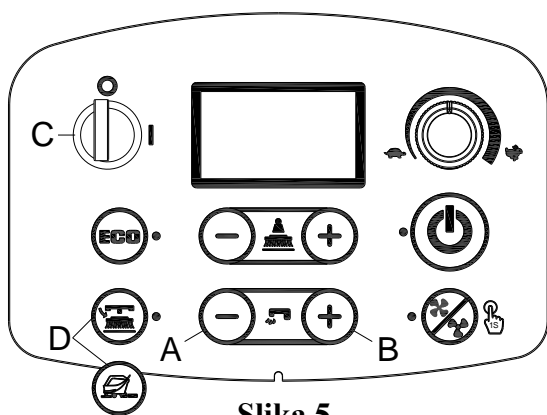
Instaliranje akumulatora

1. Otvorite poklopac spremnika za prikupljanje vode (1, slika 1) i uvjerite se da je spremnik za prikupljanje vode (16) prazan; ako nije, ispraznite ga crijevom za ispuštanje vode. (37, slika 2).
2. Zatvorite poklopac spremnika za prikupljanje vode (1, slika 1).
3. Podignite spremnik za prikupljanje vode (16, slika 1), učinite to pažljivo.
4. Stroj ima kablove, prikladne za instaliranje dva akumulatora od 12 V ili četiri akumulatora od 6 V. Pažljivo stavite akumulare u pretinac, zatim ih pravilno instalirajte. Pravilno namjestite fiksnu ploču akumulatora (slika 4).
5. Usmjerite i instalirajte kabel akumulatora kako je prikazano (slika 4), zatim pažljivo pritegnite maticu na svakoj stezaljki akumulatora.
6. Postavite zaštitnu kapicu na svaku stezaljku, zatim spojite priključak akumulatora (29, slika 2).
7. Pažljivo spustite spremnik za prikupljanje vode (16, slika 1).

Namještanje postavki vrste akumulatora (WET OR GEL/AGM OR DIS OR ENES)

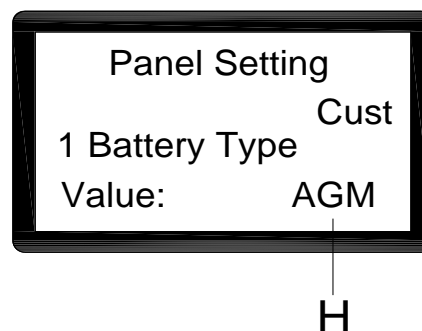
Pristup za odabir načina rada akumulatora

Ovisno o vrsti akumulatora (MOKRI ili GEL/AGM), namjestite postavke stroja kako slijedi:



Slika 5

Access to select battery mode



Slika 6

1. Pritisnite gumb za protok vode "+" (A, slika 5) i "-" (B, slika 5). Učinite to istodobno.
2. Umetnite ključ za paljenje (C, slika 5) i okrenite ga u položaj "I".
3. Nakon nekoliko sekundi uđite u zaslon za odabir načina rada akumulatora (slika 6).
4. Pritisnite gumb za protok vode "-" (A, slika 5) i "+" (B, slika 5) za odabir načina rada akumulatora (H, slika 6).
5. Pritisnite gumb za otpuštanje za verziju diska ili gumb za pripremu poda za orbitalnu verziju (D, Slika 5), Nakon 3 sekunde prikazuje se "Update OK", to znači da su postavke uspješno zadane, uključite za ponovno pokretanje. (C, slika 5).

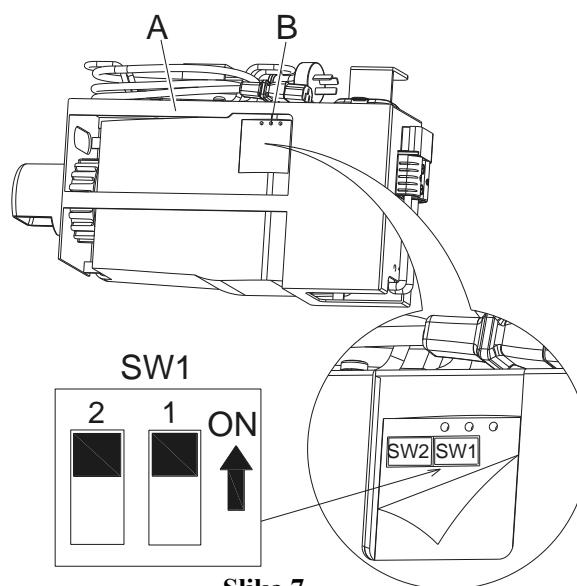
Namještanje postavki punjača akumulatora (samo za ugrađeni punjač, ako je instaliran)



UPOZORENJE!

Nemojte zadavati postavke punjača ako niste prošli stručnu obuku

1. Isključite stroj i izvadite ugrađeni punjač (A, slika 7) iz stroja. Zatim otrgnite naljepnicu na poklopcu punjača (B, slika 7). Naći ćete 2 kompleta malih prekidača (SW1 i SW2) u punjaču.
2. Samo komplet malih prekidača SW1 (na lijevoj strani) ima utjecaja na odabir krivulje punjenja u skladu s donjom tablicom.



Slika 7

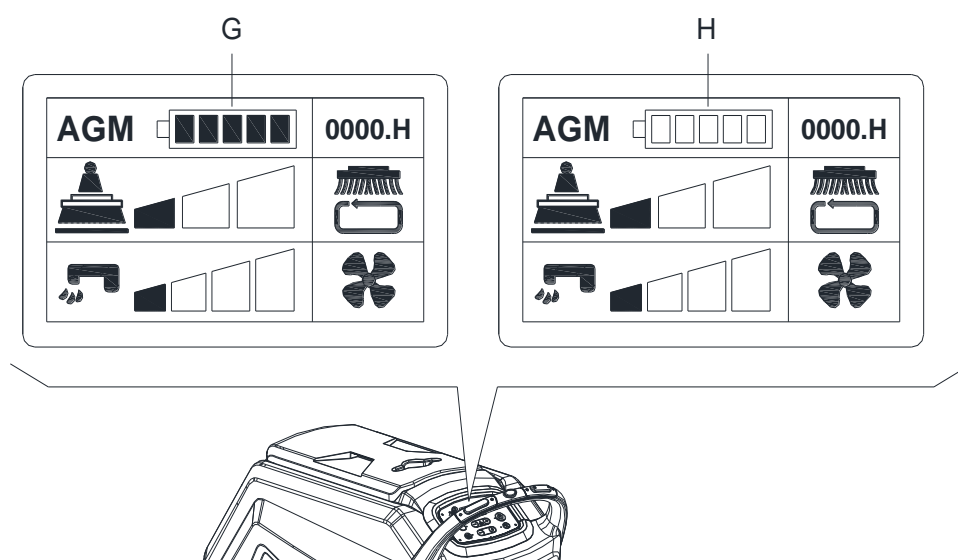
DP1	DP2	KRIVULJA PUNJENJA
UKLJ.	ISKLJ.	IUIa-ACD za akumulatore s olovnom kiselinom (mokre)
ISKLJ.	ISKLJ.	IUIa-GEL za akumulatore s gelom Exide-Sonnenschein
ISKLJ.	UKLJ.	IUU0-GEL za akumulatore s gelom HAZE i akumulatore AGM drugih proizvođača
UKLJ.	UKLJ.	IUIUa-AGM za AGM akumulatore Discover

Punjenje akumulatora

Napunite akumulatore do kraja (za opis postupka vidi poglavlje Održavanje).

Pražnjenje akumulatora

Kada simbol pokazuje da je akumulator pun (G, slika 8), akumulatori omogućavaju normalan rad stroja. Kada simbol pokazuje da je akumulator prazan (H, slika 8), akumulatori se moraju napuniti. Nekoliko sekundi nakon što se pojavi simbol praznog akumulatora, držač četke/diska automatski se isključuje, a pogonski sustav ostaje uključen. Odmah odvezite stroj do mjesta predviđenog za punjenje.



Slika 8



OPREZ!

Kada su akumulatori ispražnjeni, napunite ih što prije, jer stanje ispražnjenosti smanjuje njihov vijek trajanja. Barem jednom tjedno provjeravajte napunjenost akumulatora.

INSTALIRANJE I UKLANJANJE DRŽAČA ČETKE/DISKA (samo za stroj s diskom)**NAPOMENA**

Instalirajte držač četke (A, slika 9) ili držač diska (B i C, slika 9) ovisno o vrsti poda kojeg čistite.

**OPREZ!**

Prije instaliranja ili uklanjanja držača četke ili diska, pobrinite se da sve sklopke na stroju budu u položaju isklj. i da je brisač odignut od poda. Rukovatelj mora nositi odgovarajuću osobnu zaštitnu opremu, kao što su rukavice, kako bi se smanjio rizik od nesreća.

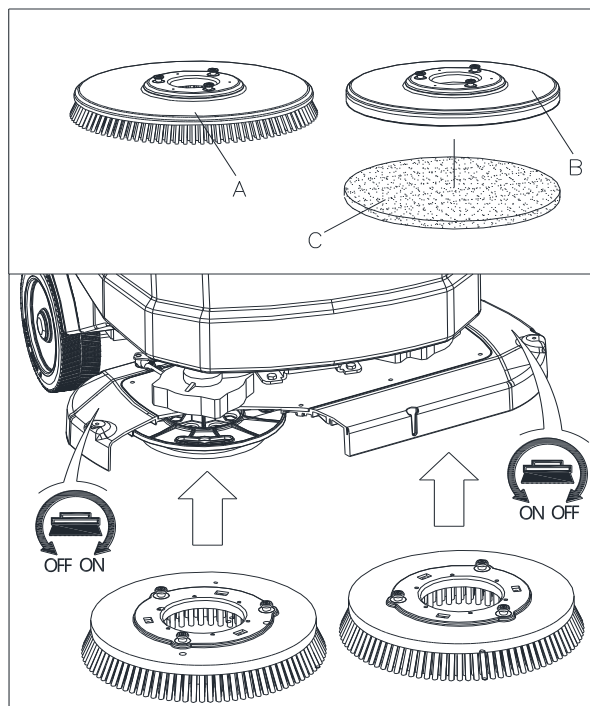
Postupite kako slijedi:

INSTALIRANJE:

1. Umetnite ključ za paljenje (42, slika 3) i okrenite ga u položaj "I". Podignite ploču. Isključite stroj tako da izvadite ključ za paljenje (42).
2. Okrenite gumb za namještanje brzine (48) u položaj praznog hoda okretanjem u smjeru, suprotnome od kazaljki na satu.
3. Postavite držač četke (A, slika 9) ili diska (B) ispod ploče.
4. Koristite ručnu metodu i okrenite držač četke/diska u smjeru suprotnome od smjera normalnog okretanja. Tada se može instalirati. (kako je prikazano na slici 9)

UKLANJANJE:

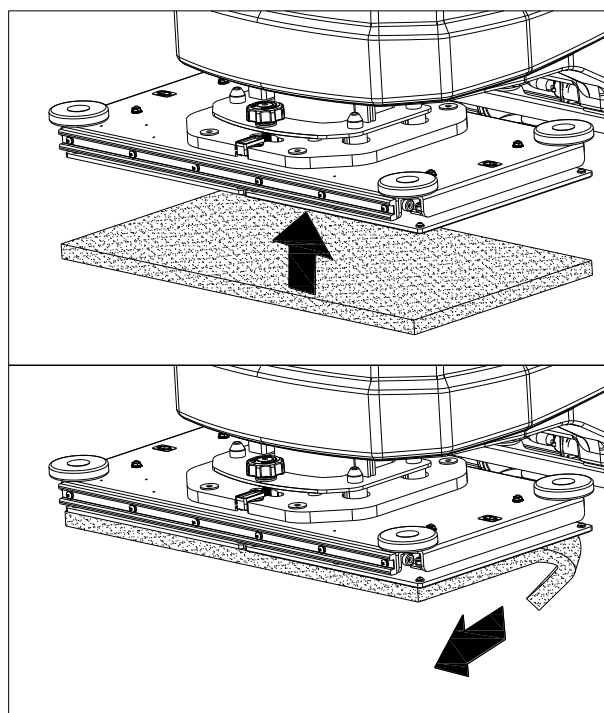
1. Umetnite ključ za paljenje (42, slika 3) i okrenite ga u položaj "I". Za uklanjanje držača četke/diska podignite ploču tako da pritisnete gumb za otpuštanje držača četke/diska (44). Držač četke/diska automatski će se otpustiti.



Slika 9

INSTALIRANJE I UKLANJANJE DISKA (samo za orbitalni stroj)

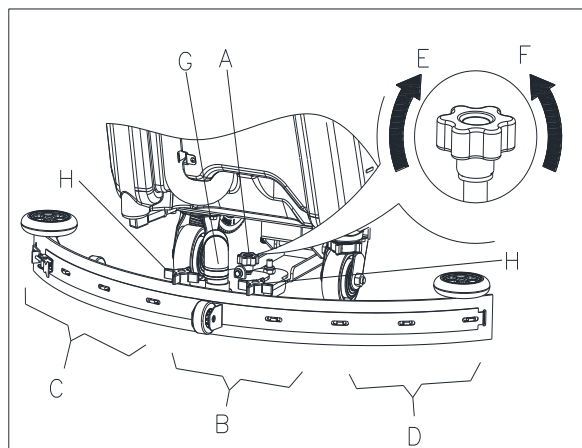
1. Umetnite ključ za paljenje (42, slika 3) i okrenite ga u položaj "I". Podignite ploču. Isključite stroj tako da izvadite ključ za paljenje.
2. Koristite ručnu metodu za instaliranje ili uklanjanje diska (slika 10)



Slika 10

NAMJEŠTANJE RAVNOTEŽE BRISAČA

1. Instalirajte brisač i pritegnite matice (H, slika 11), zatim priključite usisno crijevo (G) na brisač.
2. Namjestite brisač pomoću ručice za namještanje brisača (A, slika 11).
 - a) Ako postoji praznina između donjeg i srednjeg dijela stražnjeg kraka brisača (B), okrećite gumb (A) u smjeru suprotnome od kazaljki na satu (F) sve dok svi dijelovi stražnjeg kraka brisača ne budu imali dobar kontakt s tlom, a prednji krak samo lagano doticao tlo.
 - b) Ako postoji praznina između donjeg i oba krajnja dijela stražnjeg kraka (C i D), okrećite gumb (A) u smjeru kazaljki na satu (E) sve dok svi dijelovi stražnjeg kraka brisača ne budu imali dobar kontakt s tlom, a prednji krak samo lagano doticao tlo.



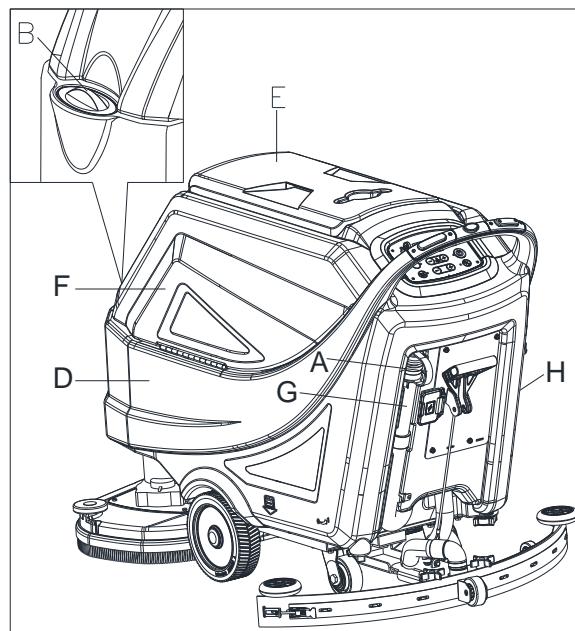
Slika 11

PUNJENJE SPREMNIKA OTOPINE

1. Otvorite poklopac ulaza za vodu (B, slika 12).
2. Ulijte vodu ili otopinu prikladnu za radne performanse kroz ulaz za vodu s filtrom.
Temperatura otopine ne smije biti viša od +104 F (+40 °C).
3. Nemojte prepuniti spremnik, gledajte u indikator razine vode (H) i pratite razinu vode.

**UPOZORENJE!**

Koristite samo deterdžente koji se slabo pjene i koji su nezapaljivi te predviđeni za primjenu u automatskim peraćima.



Slika 12

POKRETANJE I ZAUSTAVLJANJE STROJA**Pokretanje stroja**

1. Pripremite stroj kako je objašnjeno u prethodnom odlomku.
2. Umetnite ključ za paljenje (A, slika 13) i okrenite ga u položaj "I". Provjerite stanje akumulatora na prikazu zaslona. Ako je potrebno, napunite akumulator (za opis postupka vidi poglavlje Održavanje).
3. Odvezite stroj do područja rada:
 - Pritisnite sigurnosnu sklopku (F) za kretanje prema naprijed ili pritisnite sigurnosnu sklopku (F) zajedno sa sklopkom za vožnju unatrag (G) za kretanje unatrag. Brzina kretanja prema naprijed može se namjestiti pomoću gumba za namještanje (H).
4. Spustite brisač (I) ručicom za podizanje/spuštanje brisača (J).
5. Spustite ploču držača četke/diska (K) tako da pritisnete gumb za pokretanje jednom tipkom (L).
6. Pritisnite gumbe za upravljanje protokom otopine (O) po potrebi, ovisno o vrsti čišćenja koje treba obaviti.
7. Početak čišćenja:
 - Pritisnite sigurnosnu sklopku (F) za aktiviranje pogona stroja. Ako je potrebno, brzina kretanja prema naprijed može se namjestiti pomoću gumba za namještanje (H).

**NAPOMENA**

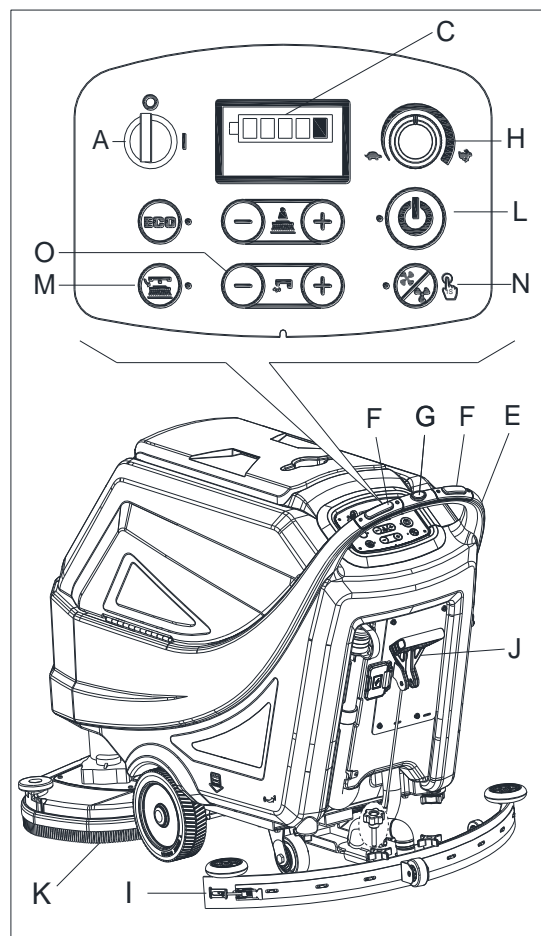
Za pomicanje stroja prema naprijed pritisnite lijevu ili desnu sigurnosnu sklopku (F, slika 13) ili obje.

Zaustavljanje stroja

8. Zaustavite stroj tako da otpustite sigurnosne sklopke (F, slika 13)
9. Čišćenje četkom se zaustavlja. Sustav usisavanja zaustavlja se nakon nekoliko sekundi.
10. Podignite ploču držača četke/diska (K) tako da pritisnete gumb za pokretanje jednom tipkom (L).
11. Podignite brisač (I) ručicom za podizanje/spuštanje brisača (J).
12. Okrenite ključ za paljenje (A) u položaj "0".
13. Pobrinite se da se stroj ne može kretati sam od sebe.

RAD STROJEM (ČETKANJE I SUŠENJE)

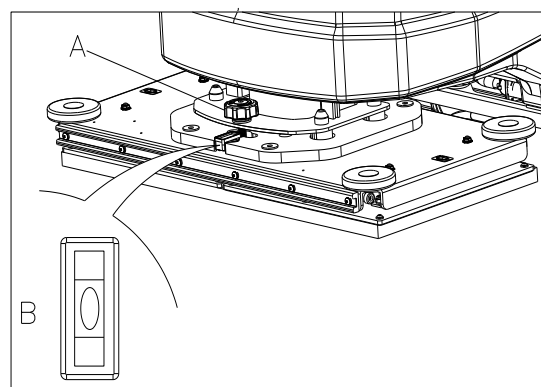
1. Pokrenite stroj kako je objašnjeno u prethodnim odlomcima.
2. Dok pritišćete jednu od sigurnosnih sklopki (35, slika 2), upravljajte strojem i počnite četkati/sušiti pod.
3. Ako je potrebno, zaustavite stroj, zatim namjestite brisač u skladu s odlomkom „Namještanje ravnoteže brisača“.



Slika 13

NAMJEŠTANJE RAZINE ORBITALNE PLOČE (SAMO ZA ORBITALNI STROJ)

1. Umetnite ključ za paljenje (42) i okrenite ga u položaj "I". Spustite ploču držača četke/diska (25) tako da pritisnete gumb za pokretanje jednom tipkom (49).
2. Namjestite razinu orbitalne ploče namještanjem ručice (A, slika 14) tako da mjehurić bude u sredini (B, slika 14).



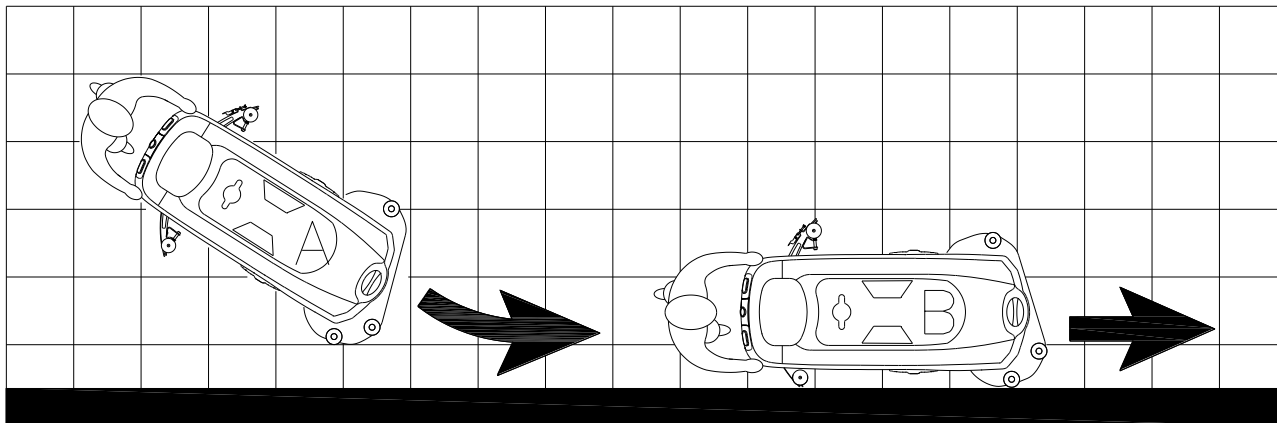
Slika 14

**NAPOMENA**

Za precizno čišćenje/sušenje podova bočno od zidova. Preporučljivo je približiti se zidovima desnom stranom stroja (A i B, slika 15) kako je prikazano na slici.

**OPREZ!**

Kako bi se izbjegla oštećenja površine poda, isključite držače četki/diska kada se stroj zaustavi na jednom mjestu.



Slika 15

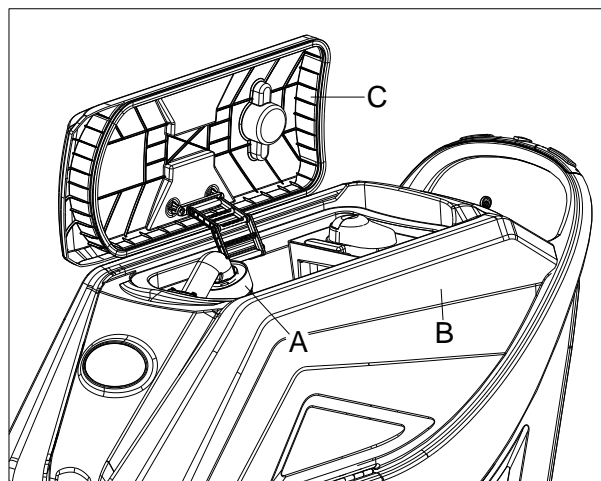
PRAŽNENJE SPREMNIKA

Automatski sustav za isključenje plovka (A, slika 16) blokira sustav usisavanja kada je spremnik za prikupljanje vode (B) pun. Deaktiviranje sustava usisavanja signalizira se iznenadnim povećanjem frekvencije buke motora sustava usisavanja, osim toga pod se nije osušio.

**OPREZ!**

Ako se sustav usisavanja slučajno isključi (npr. ako se plovak aktivira zbog iznenadnog pokreta stroja), evo kako nastaviti s radom: isključite sustav usisavanja pritiskom na sklopku (50, slika 3), zatim otvorite poklopac (C, slika 16) i uvjerite se da se plovak unutar rešetke (A) spustio do razine vode. Zatim zatvorite poklopac (C) i uključite sustav usisavanja pritiskom na sklopku (50, slika 3).

Kada je spremnik za prikupljanje vode (B, slika 16) pun, ispraznite ga slijedeći niže opisani postupak.



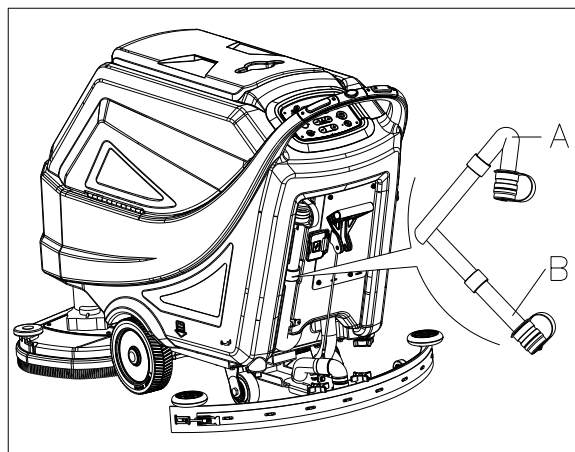
Slika 16

Pražnjenje spremnika za prikupljanje vode

1. Zaustavite stroj.
2. Podignite ploču držača četke/diska (25, slika 1) tako da pritisnete gumb za pokretanje jednom tipkom (49, slika 3) ili ponovno pokrenite stroj ključem za paljenje (42, slika 3).
3. Podignite brisač (11, slika 1) ručicom za podizanje/spuštanje brisača (39, slika 2).
4. Odvezite stroj do mjesta predviđenog za pražnjenje.
5. Ispraznite spremnik za prikupljanje vode pomoću crijeva (A, slika 17). Zatim isperite spremnik (B, slika 16) čistom vodom.

**OPREZ!**

Kada ispuštate otpadnu vodu, usisna cijev za otpad mora biti preklopljena (A, slika 17) i spuštена u donji položaj (B, slika 17). Zatim otvorite poklopac usisne cijevi za otpad kako biste ispustili vodu. Pazite da ispusni otvor usisne cijevi za otpad ne bude usmjeren prema gore za okomito ispuštanje vode. To je važno da se izbjegne prolijevanje otpadne vode po rukovatelju.



Slika 17

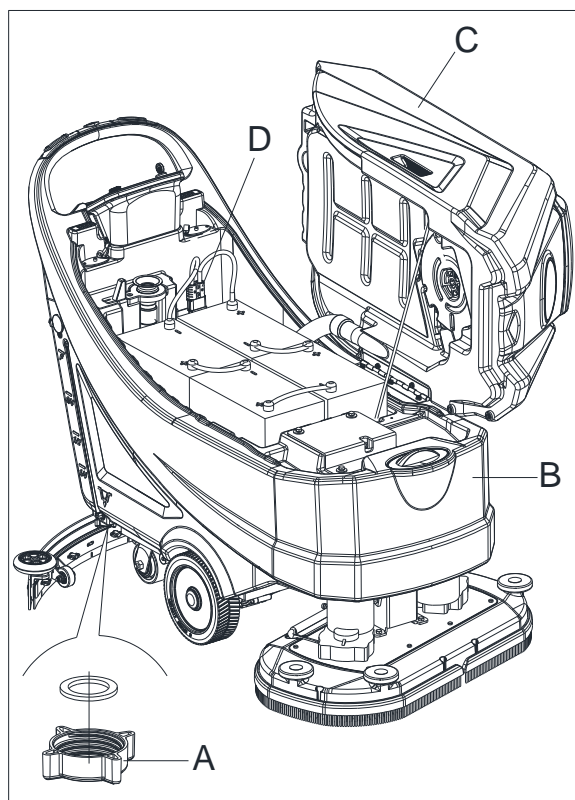
Pražnjenje spremnika otopine/čiste vode

1. Ispraznite spremnik otopine kroz poklopac ispusnog otvora (A, slika 18). Nakon rada isperite spremnik čistom vodom.

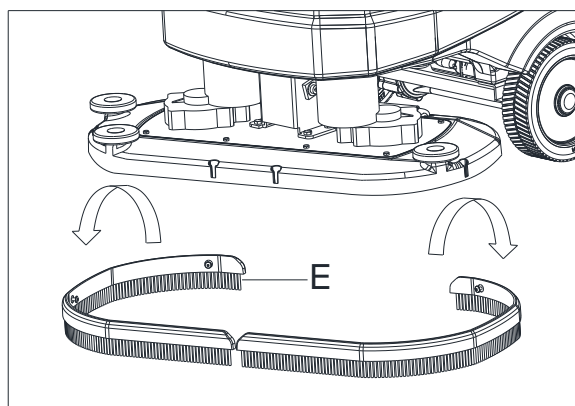
NAKON KORIŠTENJA STROJA

Nakon rada, prije nego napustite stroj:

1. Uklonite držače četki/diska pritiskom na gumb za otpuštanje (44, slika 3) i očistite ih (samo za stroj s diskom).
2. Uklonite zaštitu od prskanja (E, slika 19) i očistite je. (samo za stroj s diskom)
3. Uklonite disk i očistite ga. (samo za orbitalni stroj)
4. Ispraznite spremnike (B i C, slika 18) kako je objašnjeno u prethodnom odlomku.
5. Obavite postupke svakodnevnog održavanja (vidi poglavlje Održavanje).
6. Spremite stroj na čisto i suho mjesto. Držači četki/diska i brisač moraju biti podignuti ili uklonjeni.



Slika 18



Slika 19

SKLADIŠTENJE STROJA TIJEKOM DUGOG NEKORIŠTENJA

Ako se stroj neće koristiti dulje od 30 dana, postupite kako slijedi:

1. Obavite postupke objašnjenje u odlomku Nakon korištenja stroja.
2. Odvojite priključak akumulatora (29, slika 2).

PRVO RAZBOLJE KORIŠTENJA

Nakon prvih 8 sati provjerite jesu li pričvršni i spojni dijelovi stroja dobro učvršćeni te ima li na vidljivim dijelovima znakova istrošenosti i propuštanja.

ODRŽAVANJE**UPOZORENJE!**

Postupci održavanja moraju se vršiti nakon što isključite stroj i odvojite kabel punjača akumulatora. Osim toga, pažljivo pročitajte sigurnosna poglavlja u priručniku.

Sve planirane ili izvanredne postupke održavanja mora obavljati kvalificirano osoblje ili ovlaštenu servisni centar. Ovaj priručnik samo opisuje opće i uobičajene postupke održavanja.

Za ostale postupke održavanja koji nisu navedeni u donjoj tablici rasporeda održavanja proučite Priručnik s uputama za servisiranje koji možete proučiti u bilo kojem od naših servisnih centara.

TABLICA PLANIRANOG ODRŽAVANJA**OPREZ!**

Postupak označen s (1) mora se obaviti kada se stroj koristi nakon 8 sati rada po prvi puta. Postupak označen s (2) mora obaviti servisni centar kojeg je ovlastilo naše poduzeće.

Postupak	Svakodnevno, nakon svakog korištenja	Jednom tjedno	Jednom u pola godine	Jednom godišnje
Punjenje akumulatora				
Čišćenje brisača				
Čišćenje držača četke/diska				
Čišćenje spremnika				
Inspekcija trake za brtvljenje spremnika				
Čišćenje filtra plutajuće kuglice				
Čišćenje diska				
Čišćenje zaštite od prskanja (samo za stroj s diskom)				
Provjera i zamjena kraka brisača				
Čišćenje filtra vode za čišćenje				
Čišćenje usisnog filtra				
Provjera razine tekućine u MOKROM akumulatoru				
Inspekcija učvršćenosti vijaka i matica			(1)	
Donji izolator (samo za orbitalni stroj)			(2)	
Provjera ili zamjena grafitne četkice motora četke				(2)
Provjera ili zamjena grafitne četkice usisnog motora				(2)
Provjera ili zamjena grafitne četkice motora pogonskog sustava				(2)

BEVEZETÉS**VIGYÁZAT!**

Néhány általános és részletes berendezés információ nem található ebben az útmutatóban.

Kérjük, olvassa el a mellékelt CD-ROM-on található GYORS ÜZEMBE HELYEZÉSI ÚTMUTATÓ kézikönyvet Adobe® Reader® programmal.

**MEGJEGYZÉS**

A zárójelben lévő számok a Gépleírás fejezetben feltüntetett komponenseket jelölik.

AZ ÚTMUTATÓ CÉLJA ÉS TARTALMA

A gyors üzembe helyezési útmutató célja, hogy biztosítsa a gép használatához szükséges minden alapvető információt a kezelő számára. A műszaki jellemzőkkel, a működtetéssel, az inaktív géppel, a pótalkatrészekkel, valamint a biztonsági feltételekkel stb. kapcsolatban olvassa el a mellékelt CD-ROMON található GYORS ÜZEMBE HELYEZÉSI ÚTMUTATÓ kézikönyvet.

A kezelőknek és a képzett technikusoknak el kell olvasniuk a gyors üzembe helyezési útmutatót, mielőtt a géppel bármilyen műveletet végeznének. Ha az utasítások nem egyértelműek, vagy ha további információkra van szükség, akkor forduljon vállalatunkhoz.

A GYORS ÜZEMBE HELYEZÉSI ÚTMUTATÓ TÁROLÁSÁNAK MÓDJA

A Gyors üzembe helyezési útmutatót a berendezéshez közel, megfelelő tokban, folyadékoktól és más olyan anyagoktól távol kell tartani, melyek megrongálhatnák.

MEGFELELŐSÉGI NYILATKOZAT

A megfelelőségi nyilatkozat a gép tartozéka és igazolja a gép jog általi megfelelőségét.

**MEGJEGYZÉS**

Az eredeti megfelelőségi nyilatkozat másolatai a gép dokumentációval együtt található.

KIEGÉSZÍTŐK ÉS KARBANTARTÁS

Minden szükséges műveletet, karbantartási és javítási eljárást szakképzett szakembernek, a vállalatunk által kiválasztott javítóközpontnak kell elvégeznie. CSAK eredeti és jóváhagyott alkatrészek és tartozékok használhatók.

Keresse fel cégünk vevőszolgálatát bármilyen kiegészítő és pótalkatrész vásárlása, szervizelése kapcsán, amennyiben szükséges.

VÁLTOZTATÁS ÉS FEJLESZTÉS

Folyamatosan fejlesztjük termékeinket és cégünk fenn tartja a jogot, hogy ezen változtatásokat további tájékoztatás nélkül tegye meg.

ALKALMAZÁS HATÁLYA

A súroló kereskedelmi és ipari felhasználásra is alkalmas. Megfelelő sima és szilárd padló takarítására, ha képzett személy, biztonságos körülmények mellett kezeli. Nem alkalmas kültéri használatra, illetve szőnyeg vagy durva padló tisztítására.

GÉP AZONOSÍTÁSI ADATOK

A gép sorozatszám és modell neve a sorozatcímkén vannak feltüntetve.

Ez hasznos információ. Használja az alábbi táblázatot és töltsse ki a gép azonosítási adatait amikor pótalkatrészeket rendel a géphez.

GÉPMODELL.....
GÉP SOROZATSZÁMA.....

SZÁLLÍTÁS ÉS KICSOMAGOLÁS

Amikor a szállítványozó kiszállítja a gépet, bizonyosodjon meg róla, hogy a csomagolás és a gép teljes és sértetlen. Bármilyen sérülés esetén, jelentse azt a kiszállítónak és átvétel előtt éljen a sérülés miatti kompenzáció jogával.

Pontosan kövesse az utasításokat a gép kicsomagolásakor.

Ellenőrizze a csomagot és bizonyosodjon meg róla, hogy a következők mind benne vannak:

1. Műszaki dokumentumok gyors üzembe helyezési útmutató
2. Alkatrészlista (*).
3. Akkumulátor csatlakozása.
4. Elektromos akkumulátor töltőjének kézikönyve (felszereltségtől függően) (*)

BIZTONSÁG

A következő szimbólumok jelölik a potenciálisan veszélyes helyzeteket. Mindig figyelmesen olvassa el ezt az információt és elővigyázatosan járjon el a személyi és tulajdon védelem érdekében.

LÁTHATÓ SZIMBÓLUMOK A GÉPEN



FIGYELMEZTETÉS!

Olvassa el a teljes útmutatót a gép bármiféle használata előtt.



FIGYELMEZTETÉS!

Ne mossa a gépet direct vagy nyomás alatti vízszugárral.



FIGYELMEZTETÉS!

Ne használja a gépet olyan lejtőkön, melyek dőlésszöge meghaladja a specifikációban meghatározott értéket.

A GYORS ÜZEMBE HELYEZÉSI ÚTMUTATÓBAN SZEREPLŐ SZIMBÓLUMOK



VESZÉLY!

Halálosan veszélyes helyzetet jelöl a gépkezelő számára.



FIGYELMEZTETÉS!

Potenciális sérülés veszélyét jelöli a gépkezelő számára.



VIGYÁZAT!

Fontos vagy hasznos információkra hívja fel a figyelmet. Figyeljen az ezzel az ikonnal jelölt bekezdésekre.



MEGJEGYZÉS

Fontos vagy hasznos információkra hívja fel a figyelmet.



KONZULTÁCIÓ

Azt jelzi, hogy a művelet elvégzése előtt el kell olvasni a gyors üzembe helyezési útmutató kézikönyvet.

ÁLTALÁNOS BIZTONSÁGI INSTRUKCIÓK

Előírások és figyelmeztetések potenciális emberi és gépi sérülésekről alább találhatóak.

**VESZÉLY!**

- A gépet kizárólag képzett és felhatalmazott személy kezelheti, a kézikönyv szabályai szerint.
- Bármilyen tisztítási, karbantartási, javítási vagy alkatrészcsere művelete előtt, figyelmesen olvassa el az utasításokat, biztosítsa, hogy a gép ki legyen kapcsolva és csatlakoztassa le az akkumulátor csatlakozóját.
- Ne használja a gépet mérgező, veszélyes, gyúlékony és/vagy robbanékony porfélék, folyadékok vagy gőzök közelében. A készülék nem alkalmas veszélyes porfélék összegyűjtésére.
- Ne viseljen ékszereket az elektromos alkatrészek közelében végzett munka közben.
- Ne dolgozzon a felemelt gép alatt, amennyiben az nincs biztonsági állványokkal megtámasztva.
- Ólom akkumulátor használatakor az gyúlékony gázt bocsáthat ki normál használat mellett, mindenképp tartsa távol szikrától, lángtól, füstölgő és sugárzó anyagoktól, fényárasztó és égő eszközöktől.
- Ólom akkumulátor töltésekor az robbanásveszélyes hidrogén gázt bocsáthat ki. Biztosítsa, hogy a töltési környezet jól szellőzik és nyílt lángtól mentes.

**FIGYELMEZTETÉS!**

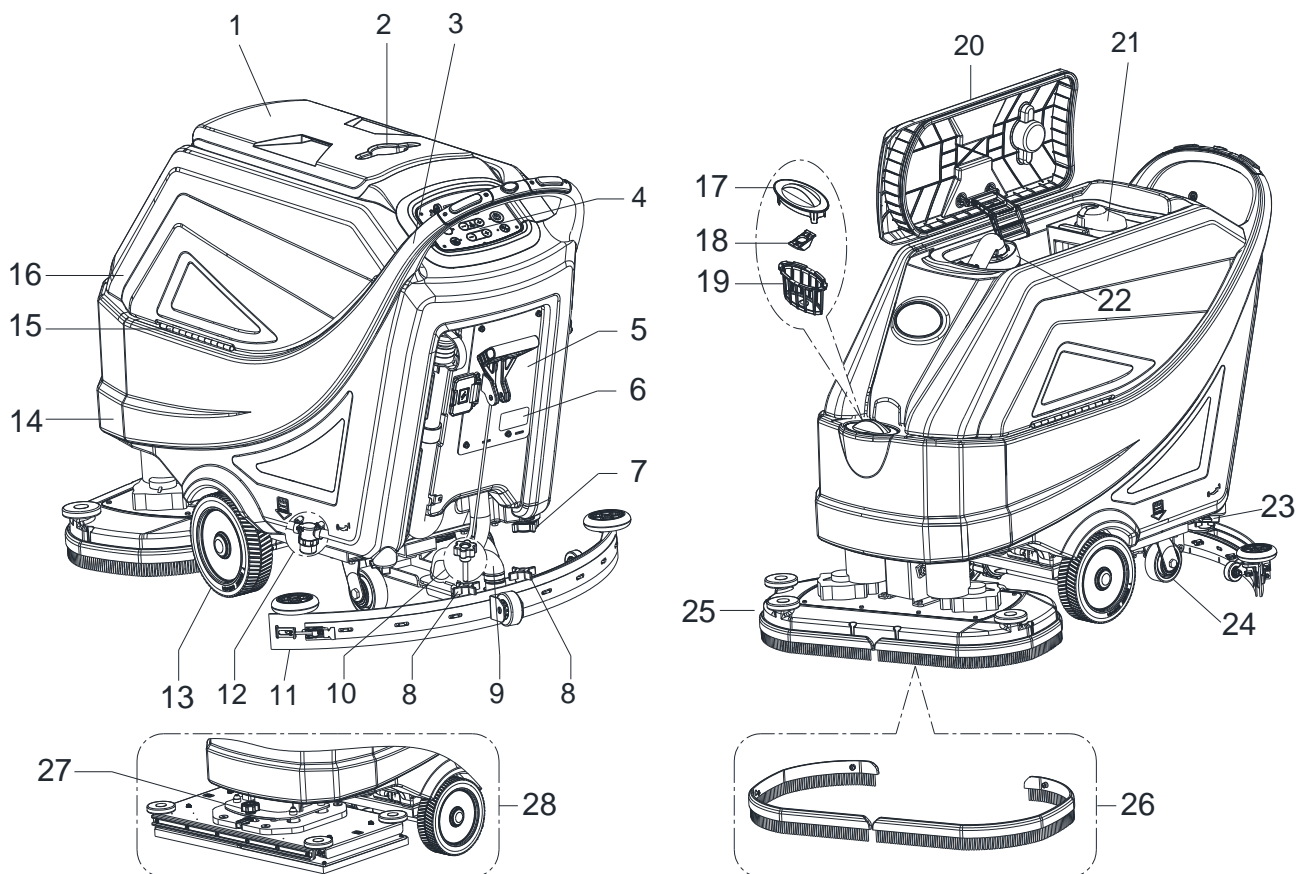
- A gép például szállodákban, iskolákban, kórházakban, gyárakban, üzletekben, irodákban vagy lízingvállalkozásokban történő KERESKEDELMI HASZNÁLATRA nem alkalmas.
- Biztosítani kell, hogy a felügyelet nélkül hagyott gép ne végezhesen véletlen mozgásokat.
- A gép illetéktelen használatának megakadályozása érdekében az áramforrást ki kell kapcsolni vagy le kell zárni, például a főkapcsoló vagy az indítókulcs eltávolításával.
- Minden használat előtt ellenőrizze a gépet figyelmesen. Biztosítsa, hogy az összes alkatrész megfelelően lett összeszerelve használat előtt. Elmulasztása személyi és tulajdoni sérüléshez vezethet.
- Az akkumulátor töltő használata előtt biztosítsa, hogy a hálózati frekvencia és feszültség értékei a gép sorozatcímkején feltüntetettekkel egyeznek.
- Soha ne mozgassa a gépet az akkumulátor töltő kábelénél fogva. Ne engedje a kábelt zárt ajtón keresztül, vagy éles széleken, sarkokon kanyarogni. Ne tolja át a gépet az akkumulátor töltő kábelén. Tartsa az akkumulátor töltő kábelt fűtött felületektől távol.
Ne töltsé az akkumulátort, ha az akkumulátor töltő kábel vagy annak csatlakozója sérült.
- Hogy csökkentse a tűz, áramütés vagy baleset esélyét, győződjön meg róla, hogy a gép ki van kapcsolva, mielőtt otthagyná.
- Használja és tárolja a gépet fedett helyen, nem engedett a kültéri használata.
- A gép tárolási és üzemi hőmérséklete is 0 °C és +40 °C között kell legyen, a levegő páratartalma 30% - 95% lehet.
- Ne használja olyan lejtőn, amelynek dőlésszöge meghaladja a specifikációban leírtakat.
- Padlótisztító mosószer használatakor, kövesse a mosószeres üveg címkéjén található utasításokat és viseljen megfelelő kesztyűt és védőfelszerelést.
- Használjon a géphez mellékelt vagy a kézikönyvben leírtaknak megfelelő keféket és szivacsokat. Egyéb típusú kefék vagy szivacsok használata a biztonság csökkenéséhez vezethet.
- A készülék meghibásodása esetén, győződjön meg róla, hogy az nem a karbantartás hiánya miatt következett be. Szükség esetén, kérjen segítséget a felhatalmazott személytől vagy felhatalmazott szerviz központtól.
- Tegyen meg mindent annak érdekében, hogy ne kerüljön haj, ékszerek vagy laza ruházat a gép mozgó alkatrészeihez.
- Ne használja a gépet rendkívül poros környezetben.

- Ne mossa a gépet direct vagy nyomás alatti vízszugárral, vagy maró anyagokkal.
- Ne ütközzön polcokkal vagy állványzatokkal, különösen, ahol leeső tárgyak veszélye áll fenn.
- Ne támasszon folyadék konténereket a gépnek, használja a megfelelő kannatartót.
- A padló védelme érdekében, ne hagyja a keféit, szivacsot álló helyben is dolgozni.
- Tűz esetén, használjon száraz porral oltó készüléket. Ne használjon folyékony tűzoltó készüléket.
- Ne távolítsa el vagy módosítsa a gép matricáit.
- Ne módosítsa a gép biztonsági védőberendezéseit, és tartsa be a karbantartásra vonatkozó általános előírásokat.
- A gép szállításakor figyeljen rá, ha a hőmérséklet fagypont alatt van. A víz a gyűjtőtartályban és csövekben megfagyhat és komoly kárt tehet a gépben.
- Alkatrészcsere esetén, rendeljen EREDETI alkatrészeket egy Hivatalos forgalmazói és Kiskereskedőtől.
- Vigye a gépet a szerviz központba, amennyiben nem működik megfelelően vagy megsérült, kint hagyták, vízbe esett.
- A gép megfelelő és biztonságos működésének érdekében, a kézikönyvben található menetrendszerű karbantartást egy felhatalmazott személy vagy szerviz központ végezheti el.
- A gépet megfelelően kell leselejtezni, a mérgező/káros anyagok jelenléte miatt (akkumulátor, stb.), mivel ezek speciális leselejtezési előírások hatálya alá tartoznak (lásd a Selejtezés c. fejezetet).
- A gép egy takarító eszköz, semmilyen egyéb célra nem használható.
- A nyílásokat mindig tartsa portól, hajszállaktól és egyéb olyan idegen anyagoktól mentesen, amelyek csökkenthetik a légáramlást. Ne használja a gépet, ha a nyílások elzáródtak.
- Kizárólag megfelelő fény mellett használja a gépet.
- A gépet nem használhatják csökkent fizikai, érzékszervi vagy mentális képességekkel rendelkező, illetve olyan személyek, akik nem rendelkeznek a megfelelő tapasztalattal és ismeretekkel (beleértve a gyermekeket).
- Ha gyermekek közelében használják, akkor különös körütekintésre van szükség.
- A gyerekeket felügyelet alatt kell tartani, hogy biztosan ne játszanak a géppel.
- A gép használata közben vigyázzon, hogy ne tegyen kárt személyekben vagy tulajdonban.
- A gép tisztítását és karbantartását gyermekek nem végezhetik felügyelet nélkül.

GÉPLEÍRÁS

A GÉP FELÉPÍTÉSE (lásd: Ábra 1)

1. Szennyvíztartály fedele
2. Kannatartó
3. Fogantyú
4. Vezérlőpanel
5. Vezérlődoboz
6. Sorozatszám/műszaki adatok
7. Kimenet burkolata
8. Gumitörlő tekerőgombjai
9. Gumitörlő szívótömlője
10. Gumitörlő-egyensúly beállító gomb
11. Gumitörlő
12. Oldatszűrő
13. Hajtókerekek
14. Oldattartály
15. Forgópánt
16. Szennyvíztartály
17. Szűrő burkolata
18. Töltőtömlő tartója
19. Szűrőtámasz
20. Tartályfedél tömítő
21. Törmelékgyűjtő doboz
22. Lebegő labda szűrő
23. Oldat/tiszta víz csap
24. Hátsó irányítható kerekek
25. Keferendszer (kizárólag tárcsás gépek esetén)
26. Fröccsenésgátló
27. Orbitális fej állító gombja
28. Orbitális rendszer (kizárólag orbitális gépek esetén)

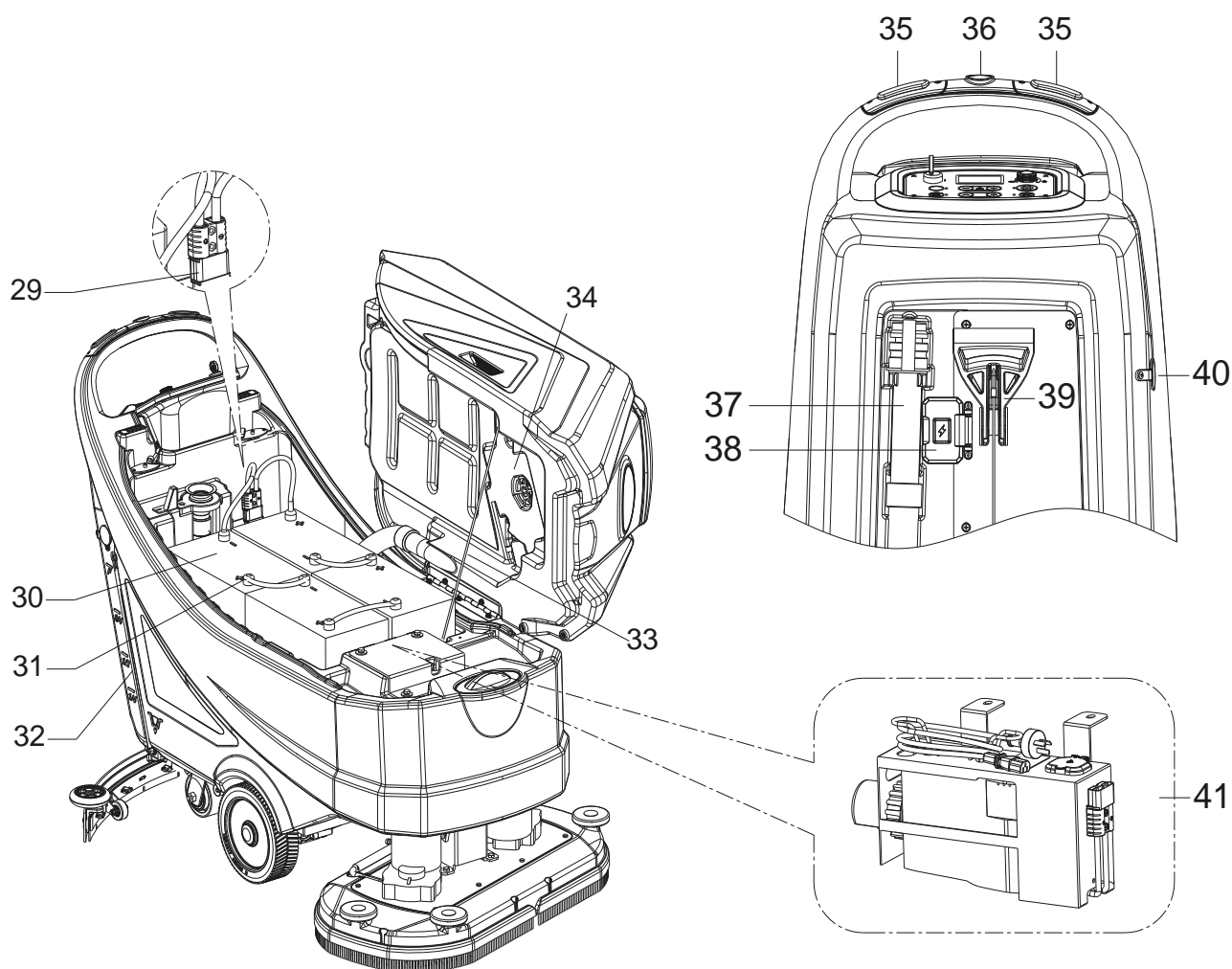


Ábra 1

GÉP FELÉPÍTÉSE (az Ábra 2 szerint)

- 29. Akkumulátor csatlakozója (piros).
- 30. Akkumulátorok (*)
- 31. Akkumulátorsapkák
- 32. Vízsintjelző cső
- 33. Tartálybiztonság kábel
- 34. Szívórendszer
- 35. Biztonsági kapcsoló

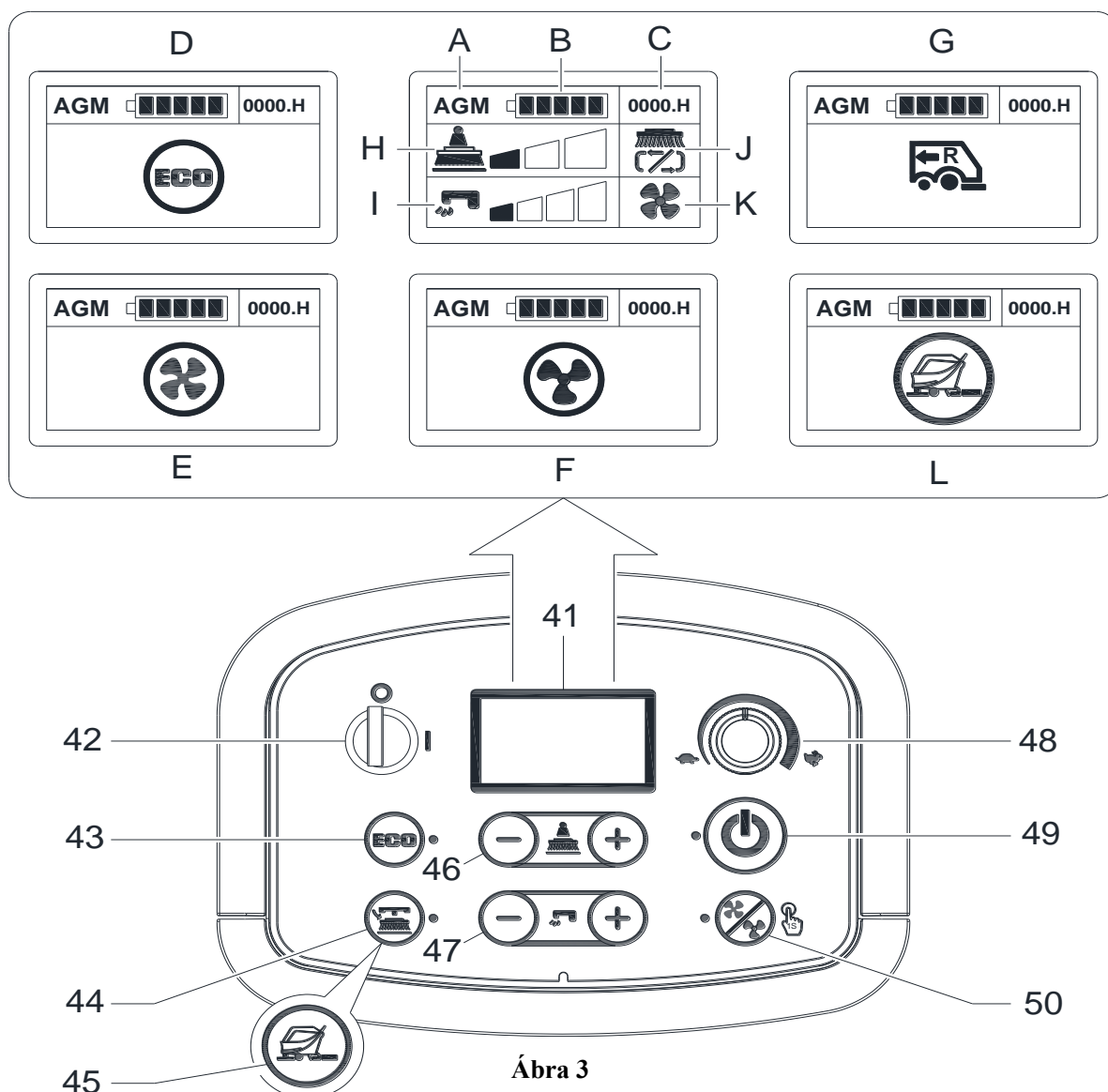
- 36. A gép kétirányú kapcsolója
 - 37. Szennyvízleeresztő tömlő
 - 38. Töltési dugasz biztonsági kupakja
 - 39. Gumitörlő-emelő/-leeresztő kar
 - 40. Oldattartály felőli töltősapka
 - 41. Fedélzeti töltő (*)
- (*): Választható



Ábra 2

VEZÉRLŐPULT (lásd a 3. ábrán)

41. Többfunkciós kijelző
Megjelenített elemek:
A) Akkumulátortípus
B) Akkumulátor töltöttségi szintje
C) Üzemórák száma
D) ECO üzemmód
E) Normál szívás üzemmód
F) Csendes szívás üzemmód
G) Hátrameneti üzemmód
H) Extra nyomás aktív
I) Mosószeroldat áramlási minősége
J) Kefe üzemmód
K) Szívás üzemmód
L) Padló-előkészítő üzemmód
42. Indítókulcs (0 - I)
43. ECO üzemmód gombja
• LED világít – alsó funkció aktiválva
• Vízáramlás minimum (1. szinten)
• minimum nyomás (1. szintű)
• Szívás csendes üzemmódban
44. Kefe-/szivacstartó kioldógombja(Kizárólag tárcsás gépek esetén)
• Villogó LED – Kioldó rendszer aktiválva
45. Padló-előkészítés gomb (kizárólag orbitális gépek esetén)
• Az előre beállított haladási sebesség 1 km/h
• LED világít – alsó funkció aktiválva
• minimum (1. szintű) vízáramlás
• maximum (3. szintű) nyomás
• Szívás normál üzemmódban
46. Kefenyomás beállítógombja
47. Oldatáramlás beállítógombja
48. Sebesség-beállító
49. Egygombos indítás
• LED világít - alsó funkció aktiválva
• vízrendszer minimumon (1. szint)
• minimum nyomás (1. szintű)
• Szívórendszer normál
50. Szívórendszer beállítógombja (nyomja le a gombot 1 másodpercig az aktiváláshoz)
• LED világít – normál üzemmód
• LED villog – Csendes üzemmód



Ábra 3

MŰSZAKI ADATOK

Paraméter típusa	Egységek	Modell		
		AS6690T	AS7690T	AS7190TO
Oldattartály kapacitása	Liter/Gallon	85 liter / 22 gall.		
Gyűjtőtartály kapacitása	Liter/Gallon	90 liter / 24 gall.		
Gép hossza	mm/hüvelyk	1490 mm/ 59 hüvelyk	1550mm/ 61 hüvelyk	1490 mm/ 59 hüvelyk
Gép szélessége gumitörlővel	mm/hüvelyk	830 mm / 33 hüvelyk	950 mm / 38 hüvelyk	
Gép szélessége gumitörlő nélkül	mm/hüvelyk	730 mm/29 hüvelyk	830mm/33 hüvelyk	750mm/30 hüvelyk
Berendezés magassága	mm/hüvelyk	1020 mm/40,2 hüvelyk		
Munkaszélesség	mm/hüvelyk	660 mm/26 hüvelyk	760 mm/30 hüvelyk	710 mm/28 hüvelyk
Hajtókerék átmérője	mm/hüvelyk	230 mm/9 hüvelyk		
Padlót érő hajtókerék-specifikus nyomás	N/mm ²	0,67 N/mm ²		
Hátsó kerék átmérője	mm/hüvelyk	101 mm/4 hüvelyk		
Padlót érő hátsókerék-specifikus nyomás	N/mm ²	0,82 N/mm ²		
Kefe/szivacs átmérője	mm/hüvelyk	330 mm x 2 / 13 hüvelyk x 2	380mm x 2 / 15 hüvelyk x 2	355x710 mm / 14x28 hüvelyk
Kefe-/szivacsnyomás (max.)	Kg/font	32 kg/71 font 41 kg/90 font 49 kg/108 font	35 kg /77 font 43 kg /95 font 51 kg /112 font	42 kg / 93 font 54 kg /120 font 65 kg /143 font
Oldatáramlás (max.) beállítás szerint	Liter/gallon percenként	(0,9/1,5/2,2/3) liter (0,24/0,39/0,58/0,79) gallon		(0,6/1,1/1,9/2,5) liter (0,16/0,29/0,5/0,66) Gallon
Hangnyomásszint	dB (A)	69 ± 3 dB (A)		
Hangnyomásszint ECO üzemmódban vagy csendes üzemmódban	dB (A)	65 ± 3 dB (A)		
Kar rezgésszintje (max.)	m/s ²	< 2,5 m/s ²		
Mászóképesség (max.)	% fok	2%		
Mín. fordulási sugár	cm/hüvelyk	155cm/61 hüvelyk	165 cm/65 hüvelyk	160 cm/63 hüvelyk
Hajtómotor teljesítménye	Watt/LE	250 W/0,33 LE		350 W/0,47 LE
Munkasebesség	km/mérföld per óra	0 - 4.0 km / 0 - 2.5 mérföld/óra		0 - 3,2 km / 0 - 2.0 mérföld/óra
Előremeneti sebesség	km/mérföld per óra	0 - 4,0 km / 0 - 2,5 mérföld/óra		
Hátrameneti sebesség	km/mérföld per óra	0 - 2,0 km / 0 - 1,25 mérföld/óra		
Szivómotor teljesítménye	Watt/LE	500 W/0,66 LE		
Vákuumteljesítmény	mm/hüvelyk H ₂ O	1500 mm/60 hüvelyk H ₂ O		
Vákuumkapacitás ECO üzemmódban vagy csendes üzemmódban	mm/hüvelyk H ₂ O	900 mm/35 hüvelyk H ₂ O		
Kefemotor teljesítménye	Watt/LE	500 x 2 Watt / 0,66 x 2 LE		750 Watt/1,0 LE
Kefe sebessége normál üzemmódban	Ford./perc	200 ford./perc		2200 ford./perc
Kefe sebessége ECO üzemmódban	Ford./perc	160 ford./perc		1600 ford./perc
IP védelmi osztály	IP	IP24		
Akkumulátorrekesz mérete külső töltővel (H x Sz x Ma)	mm/hüvelyk	(620 x 385 x 390) mm / 24,4 x 15,1 x 15,3 hüvelyk		
Akkumulátorrekesz mérete fedélzeti töltővel (H x Sz x Ma) (*)	mm/hüvelyk	(535 x 385 x 390) mm / 21 x 15,1 x 15,3 hüvelyk		
Feszültség	DC	24 V		
Akkumulátorok (*)	Ah	N/A		
Akkumulátor üzemideje (standard akkumulátorok) (*)	Óra	Legfeljebb 4 óra		
Fedélzeti töltő (*)	Volt/A	24V 25A		
Produktivitás (max.)	m ² /h	2640 m ² /h	3040 m ² /h	2272 m ² /h
Berendezés súlya üres tartályokkal (akkumulátorok nélkül)	Kg/font	135 kg/298 font.	138 kg/304 font.	148 kg /326 font
Jármű bruttó súlya (GVW)	Kg/font	347 kg /765 font	350 kg /772 font	360 kg /794 font
Szállítási súly	Kg/font	202 kg /444 font	205 kg /451 font	215 kg /473 font
Csomag méretei (H x Sz x Ma)	mm/hüvelyk	(1620 x 810 x 1200 mm) / (64 x 32 x 48 hüvelyk)	(1660 x 910 x 1200 mm) / (66 x 36 x 48 hüvelyk)	

(*) : Választható

KEZELÉSI ÚTMUTATÓ

**FIGYELMEZTETÉS!**

A berendezés egyes pontjain matricák találhatóak az alábbiakat jelezve:

- VESZÉLY!
- FIGYELMEZTETÉS!
- VIGYÁZAT!
- KONZULTÁCIÓ

A Kézikönyv olvasása közben az üzemelőnek különös figyelmet kell szentelnie a matricákon található szimbólumoknak. Ezeket soha ne takarja el, és ha megsérültek, azonnal cserélje ki őket.

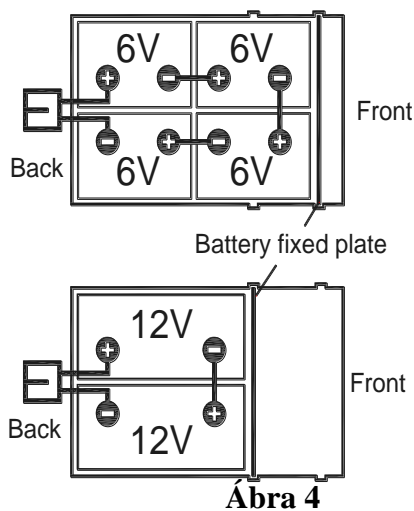
AKKUMULÁTOR ELLENŐRZÉS / AZ ÚJ BERENDEZÉS BEÁLLÍTÁSA

**FIGYELMEZTETÉS!**

Az akkumulátorok helytelen behelyezése vagy csatlakoztatása esetén a berendezés elektromos komponensei súlyosan megsérülhetnek. Az akkumulátorokat csak szakképzett személy helyezheti be. A használt akkumulátorok típusának megfelelően (NEDVES vagy ZSELÉS/AGM akkumulátorok) állítsa be az elektromos lapot és a beépített akkumulátor töltőjét. Beszerelés előtt ellenőrizze, hogy nincs-e sérülés az akkumulátorokon. Válassza le az akkumulátor csatlakozóját és az akkumulátor töltőt csatlakozóját. Óvatosan kezelje az akkumulátorokat. Helyezze fel a berendezéslek apott akkumulátor-terminál védő sapkákat.

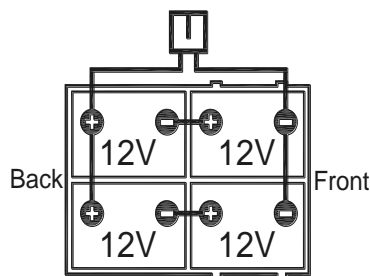
A gépbe beszerelt akkumulátorok

1. Győződjön meg arról, hogy az akkumulátor csatlakozója (29, Ábra 2) csatlakoztatva van.
2. Az akkumulátorok első használatakor végezze el a teljes töltési ciklust (a műveletet lásd a Karbantartás c. fejezetben).

**MEGJEGYZÉS**

A berendezésbe két 12 V-os vagy négy 6 V-os akkumulátor szükséges, amelyeket a rajzon látható módon kell bekötni (Ábra 4).

Helyezze fel az akkumulátortálcát az ábrán látható módon (Ábra 4).

**Akkumulátorok nélkül**

1. Vásárolja meg a megfelelő akkumulátorokat (lásd: „Műszaki adatok” című bekezdés). Az akkumulátor választást és beszerelést illetően forduljon szakképzett akkumulátor értékesítőhöz.
2. Állítsa be a gépet a beszerelt akkumulátorok típusának megfelelően, ahogyan az a Karbantartás c. fejezet Szuper felhasználói kulcs című részében látható.

AKKUMULÁTOR BEHELYEZÉSE ÉS AKKUMULÁTOR-TÍPUS BEÁLLÍTÁS (WET OR GEL/AGM OR DIS OR ENES)

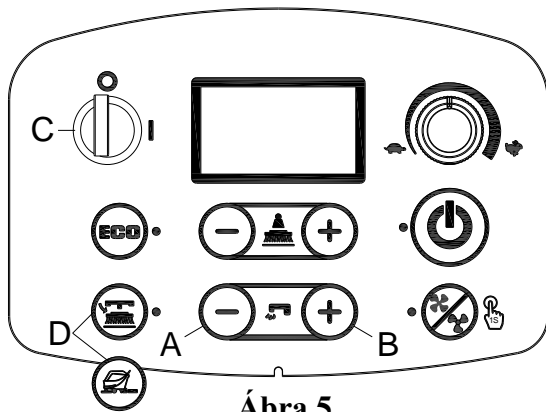
Az akkumulátor beszerelése

1. Nyissa fel a gyűjtőtartály fedelét (1, Ábra 1) és ellenőrizze; hogy a gyűjtőtartály (16) üres-e; ha nem üres, akkor eressze le a leeresztő tömlő segítségével. (37, Ábra 2)
2. Zárja le a gyűjtőtartály fedelét (1, Ábra. 1).
3. Emelje fel óvatosan a gyűjtőtartályt (16, Ábra 1)
4. A géphez biztosított kábelek két 12 V-os akkumulátor vagy négy 6 V-os akkumulátor beszerelését teszik lehetővé. Óvatosan helyezze az akkumulátorokat a rekeszbe, majd helyesen szerelje be őket. Helyezze fel az akkumulátortálcát az ábrán látható módon (Ábra 4).
5. Az akkumulátorkábelt megfelelően vezesse és szerelje be (Ábra 4), majd óvatosan szorítsa meg az akkumulátorcsatlakozók anyáját.
6. A csatlakozókra helyezze rá a védőtapaszt, majd csatlakoztassa az akkumulátor csatlakozóját (29, Ábra. 2).
7. Óvatosan engedje le a gyűjtőtartályt (16, Ábra. 1).

Akkumulátortípus beállítása (WET OR GEL/AGM OR DIS OR ENES)

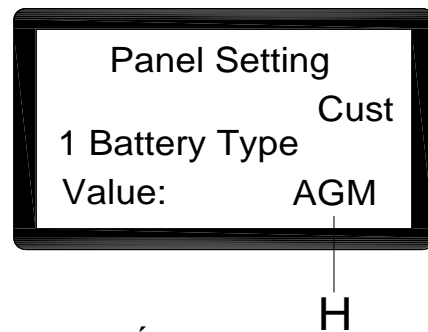
Hozzáférés az akkumulátor üzemmód kiválasztásához

Az akkumulátortípusnak (NEDVES vagy ZSELÉS/AGM) megfelelően állítsa be a gépet az alábbiak szerint:



Ábra 5

Access to select battery mode



Ábra 6

1. Nyomja le egyszerre a vízáramlás „+” (A, Ábra 5) és „-” gombját (B, Ábra 5).
2. Illessze be az indítókulcsot (C, Ábra 5) és fordítsa „I” állásba.
3. Pár másodperc múlva lépjen be az akkumulátor üzemmódjának kiválasztására szolgáló képernyőre (Ábra 6)
4. Nyomja le egyszerre a vízáramlás „-” (A, Ábra 5) és „+” gombját (B, Ábra 5) az akkumulátor üzemmódjának kiválasztásához (H, Ábra 6)
5. Nyomja meg a diszk verzió kioldógombját, vagy az orbitális verzió padló-előkészítő gombját (D, ábra 5), Ha 3 másodperc múlva megjelenik az „Update OK” (Frissítés rendben) felirat, akkor a művelet sikeres, indítsa újra a gépet. (C, Ábra 5)

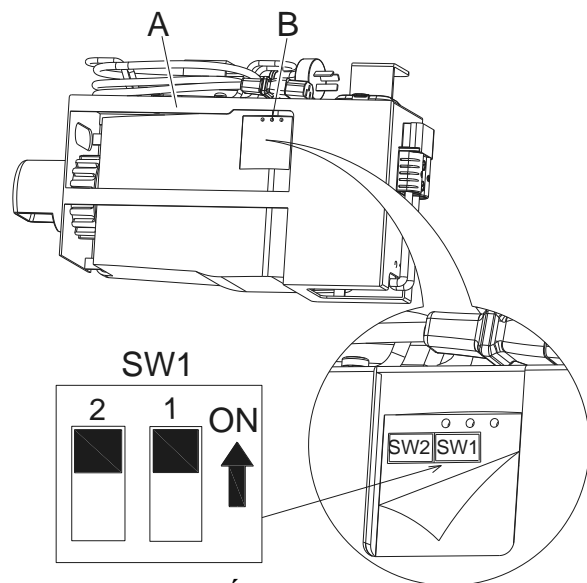
Akkumulátortöltő beállítása (kizárólag fedélzeti töltő esetén)



FIGYELMEZTETÉS!

A töltő beállítását kizárólag szakképzett személy végezheti.

1. Kapcsolja ki a gépet, és szerelje szét a fedélzeti töltőt (A, Ábra 7), majd óvatosan emelje fel a töltő fedelén lévő címkét (B, Ábra 7). A töltőben 2 sor DIP-kapcsoló (SW1 és SW2) található.
2. A töltési görbe kiválasztását kizárólag a (bal oldalon található) SW1 DIP-kapcsoló befolyásolja, az alábbi táblázat szerint.



Ábra 7

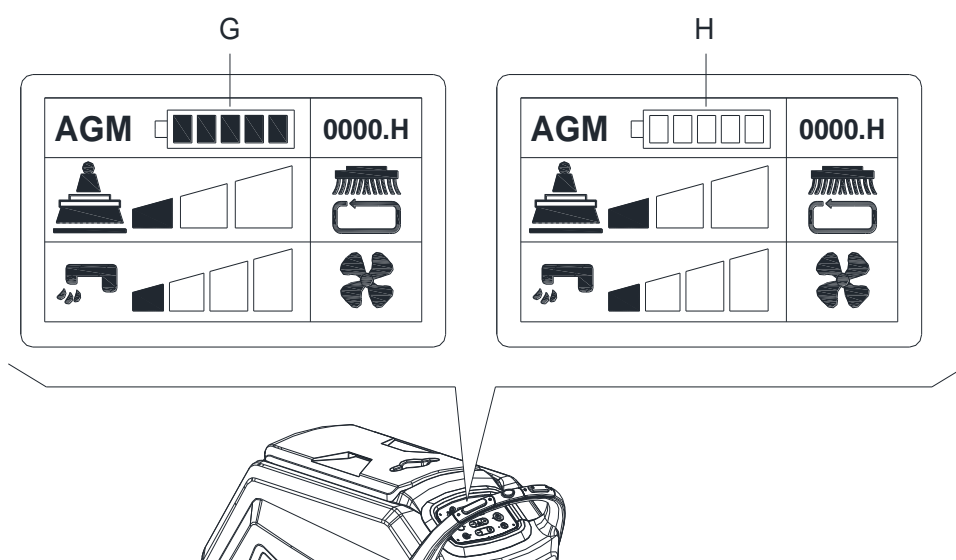
DP1	DP2	TÖLTÉSI GÖRBE
BE	KI	IUIa-ACD ólomsavas (nedves) akkumulátorok esetén
KI	KI	IUIa-GEL Exide-Sonnenschein zselés akkumulátorok esetén
KI	BE	IUU0-GEL egyéb gyártóktól származó HAZE zselés és AGM akkumulátorok esetén
BE	BE	IUIUa-AGM Discover AGM akkumulátorok esetén

Akkumulátor töltés

Töltse fel teljesen az akkumulátorokat (az eljárást lásd a Karbantartás c. fejezetben).

Az akkumulátorok lemerülése

Amikor az akkumulátorok szimbóluma tele van (G, Ábra 8), akkor az akkumulátorok lehetővé teszik a gép normál működését. Amikor az akkumulátorok szimbólumának töltöttsége alacsony (H, Ábra 8), akkor az akkumulátorokat fel kell tölteni. Néhány másodperccel azután, hogy megjelenik az alacsony töltöttségi szimbólum, a kefe/szivacstartó automatikusan leáll, míg a hajtásrendszer tovább működik. Haladéktalanul vezesse a berendezést a kijelölt töltési területre.



Ábra 8



VIGYÁZAT!

A lemerült akkumulátorokat a lehető leghamarabb fel kell tölteni, mivel ez az állapot lerövidíti az élettartamukat. Az akkumulátorok töltöttségét legalább hetente egyszer ellenőrizni kell.

A KEFE-/SZIVACSTARTÓ FELSZERELÉSE ÉS ELTÁVOLÍTÁSA (kizárólag tárcsás gépek esetén)**MEGJEGYZÉS**

A tisztítani kívánt padlófelületről függően helyezze fel a kefetartót (A, Ábra 9) vagy párnatartót (B és C, Ábra 9).

**VIGYÁZAT!**

Mielőtt felszerelné a kefe- vagy a szivacstartót, győződjön meg róla, hogy a gép minden kapcsolója kikapcsolt helyzetben van, és a gumitörlő fel van emelve a padlóról. A gép működtetését megfelelő személyi védelmi eszközökkel kell ellátni, például kesztyűvel, ami csökkenti a balesetek kockázatát.

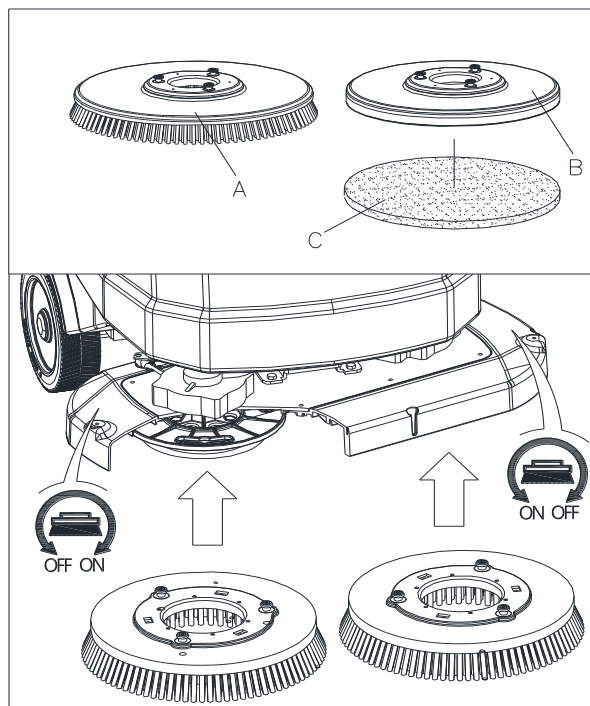
Végezze el az alábbiakat:

FELSZERELÉS:

1. Helyezze be az indítókulcsot (42, Ábra 3) és fordítsa „I” állásba. Emelje fel a platót. Kapcsolja ki a gépet úgy, hogy eltávolítja az indítókulcsot (42).
2. Állítsa üresbe a sebesség-beállítót (48); ehhez fordítsa az óramutató járásával ellenkező irányba.
3. Helyezze a kefe- (A, Ábra 9) vagy szivacstartót (B) a plató alá.
4. A felszereléshez forgassa a kefé-/szivacstartót a normál forgási iránnyal ellentétes irányba. (lásd: Ábra 9)

ELTÁVOLÍTÁS

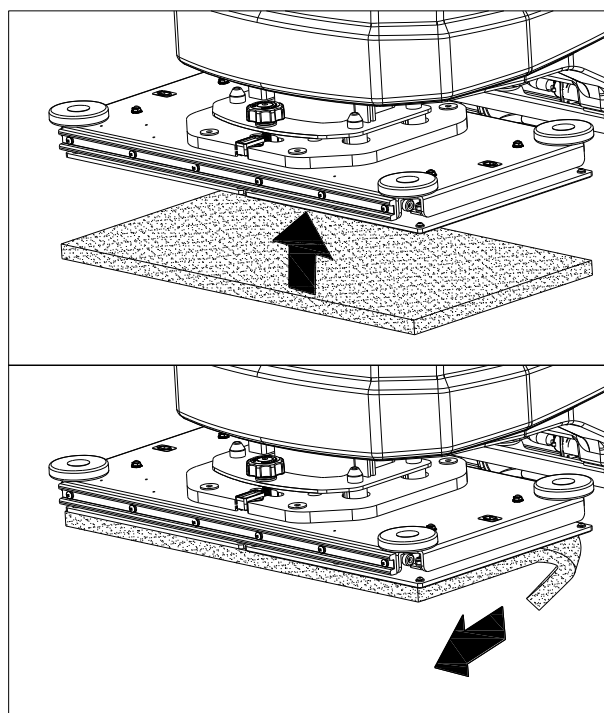
1. Helyezze be az indítókulcsot (42, Ábra 3) és fordítsa „I” állásba. A kefe-/szivacstartó eltávolításához emelje fel a platót a kefe-/szivacstartó feloldógombjának (44) lenyomásával; ekkor a kefe-/szivacstartó automatikusan kiold.



Ábra 9

SZIVACS FELSZERELÉSE ÉS ELTÁVOLÍTÁSA (kizárólag orbitális gépek esetén)

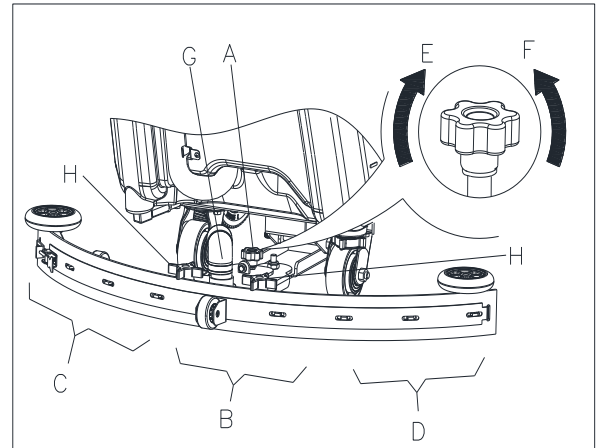
1. Helyezze be az indítókulcsot (42, Ábra 3) és fordítsa „I” állásba. Emelje fel a platót. Kapcsolja ki a gépet úgy, hogy kiveszi az indítókulcsot.
2. A szivacs felszereléséhez vagy eltávolításához alkalmazza a manuális módszert (Ábra 10)



Ábra 10

GUMITÖRLŐ EGYENSÚLYÁNAK SZABÁLYOZÁSA

- Szerelje fel a gumitörőt és húzza meg az anyacsavarokat (H, Ábra 11), majd csatlakoztassa a szívótömlőt (G) a gumitörőhöz.
- Állítsa be a gumitörőt a gumitörő szabályzó karral (A, Ábra 11).
 - Ha rés van a padló és a hátsó gumitörőlap középső része között (B), akkor tekerje a gombot (A) az óramutató járásával ellentétes irányba (F) úgy, hogy a hátsó gumitörőlap teljesen hozzáérjen a padlóhoz, az első lap pedig épp csak érintse azt.
 - Ha rés van a padló és a hátsó gumitörőlap mindkét széle között (C és D), tekerje a gombot (A) az óramutató járásával egyező irányba (E) úgy, hogy a hátsó gumitörőlap teljesen hozzáérjen a padlóhoz, az első lap pedig épp csak érintse azt.



Ábra 11

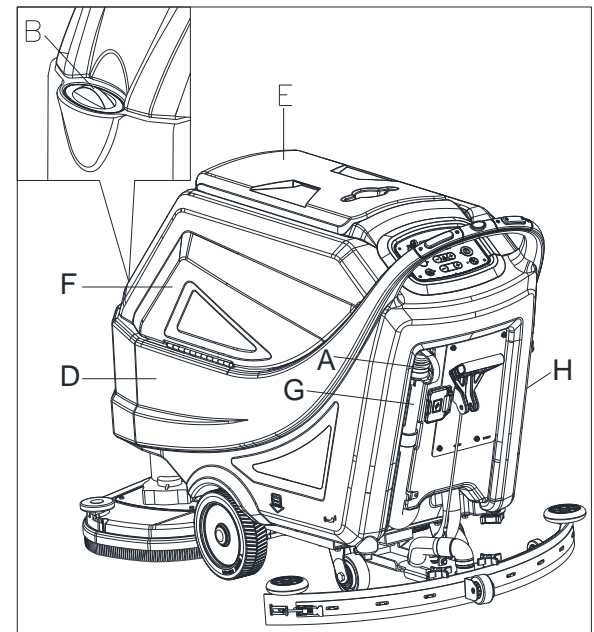
AZ OLDATTARTÁLY FELTÖLTÉSE

- Nyissa fel a vízbemenet fedelét (B, Ábra 12).
- Töltse fel vízzel vagy a munka elvégzéséhez megfelelő oldattal a szűrővel ellátott vízbemeneti nyíláson keresztül. Az oldat hőmérséklete nem haladhatja meg a +104F (+40 °C)-ot.
- A tartályt ne töltse túl, ellenőrizze a víz mennyiségét a vízszintjelző (H) segítségével.



FIGYELMEZTETÉS!

Csak alacsony habzású és nem gyúlékony, automatikus padlómosó alkalmazásokhoz gyártott tisztítószereket használjon.



Ábra 12

BERENDEZÉS ELINDÍTÁSA ÉS LEÁLLÍTÁSA

Berendezés elindítása

- Készítse elő a berendezést az előző bekezdésben leírtak szerint.
- Helyezze be az indítókulcsot (A, Ábra 13) és fordítsa „P” állásba. Ellenőrizze az akkumulátorok állapotát a kijelzőn. Szükség esetén töltse fel az akkumulátorokat (az eljárást lásd a Karbantartás c. fejezetben).
- Vezesse a berendezést a munkaterületre:
 - Előrehaladáshoz nyomja meg a biztonsági kapcsolót (F)? hátramenet pedig nyomja le egyszerre a biztonsági kapcsolót (F) és a hátramenet kapcsolót (G). Az előre haladás sebessége a beállítóval (H) állítható be.
- Eressze le a gumitörőt (I) a gumitörő-emelő/-leeresztő kar (J) segítségével.
- Eressze le a kefe-/szivacsstartó platót (K) az egygombos indítás (L) lenyomásával
- A végrehajtandó tisztítás típusától függően, szükség szerint nyomja meg az oldatáramlás-szabályozó gombokat (O).
- Tisztítás megkezdése:
 - A gép hajtásának aktiválásához nyomja le az egyik biztonsági kapcsolót (F). Szükség esetén az előre haladás sebessége a beállítóval (H) állítható be.

**MEGJEGYZÉS**

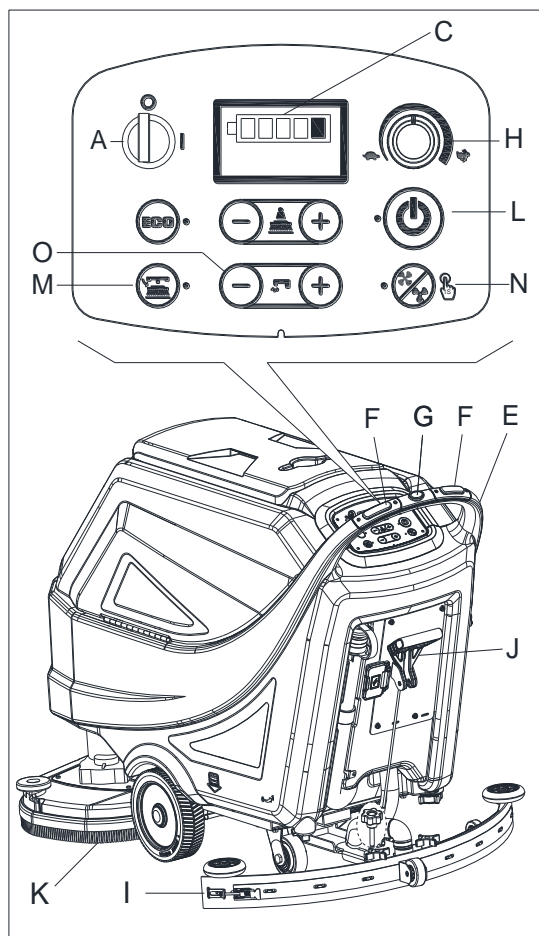
A géppel történő előrehaladáshoz nyomja le a bal, a jobb vagy mindkettő biztonsági kapcsolót (F, Ábra 13)

Berendezés leállítása

8. A gép megállításához engedje fel a biztonsági kapcsolókat (F, Ábra 13)
9. A kefék ekkor leállnak. A szívás néhány másodperc múlva leáll.
10. Emelje fel a kefe-/szivacsstartó platót (K) az egygombos indítás (L) lenyomásával.
11. Emelje fel a gumitörlőt (I) a gumitörlő-emelő/-leeresztő kar (J) segítségével.
12. Fordítsa az indítókulcsot (A) „0” állásba.
13. Bizonyosodjon meg arról, hogy a berendezés nem tud elindulni.

A GÉP MŰKÖDÉSE (SÚROLÁS ÉS SZÁRÍTÁS)

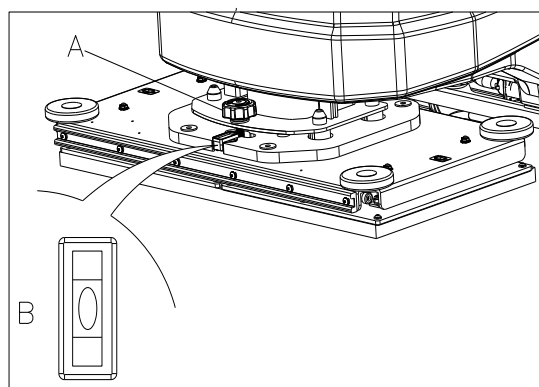
1. Indítsa el a gépet az előző bekezdésekben leírtak szerint.
2. Irányítsa a gépet a biztonsági kapcsolók bármelyikének lenyomásával (35, Ábra 2) és kezdje el a padló súrolását/szárítását.
3. Szükség esetén állítsa le a gépet és állítsa be a gumitörlőt a „Gumitörlő egyensúlyának szabályozása” bekezdésben leírtak szerint.



Ábra 13

AZ ORBITÁLIS PLATÓ BEÁLLÍTÁSA (KIZÁRÓLAG ORBITÁLIS GÉPEK ESETÉN)

1. Helyezze be az indítókulcsot (42) és fordítsa el „I” állásba. Eressze le a kefe-/szivacsstartó platót (25) az egygombos indítás (49) lenyomásával
2. Az orbitális plató beállításához állítsa be úgy a kart (A, Ábra 14), hogy a buborék középen helyezkedjen el (B, Ábra 14).



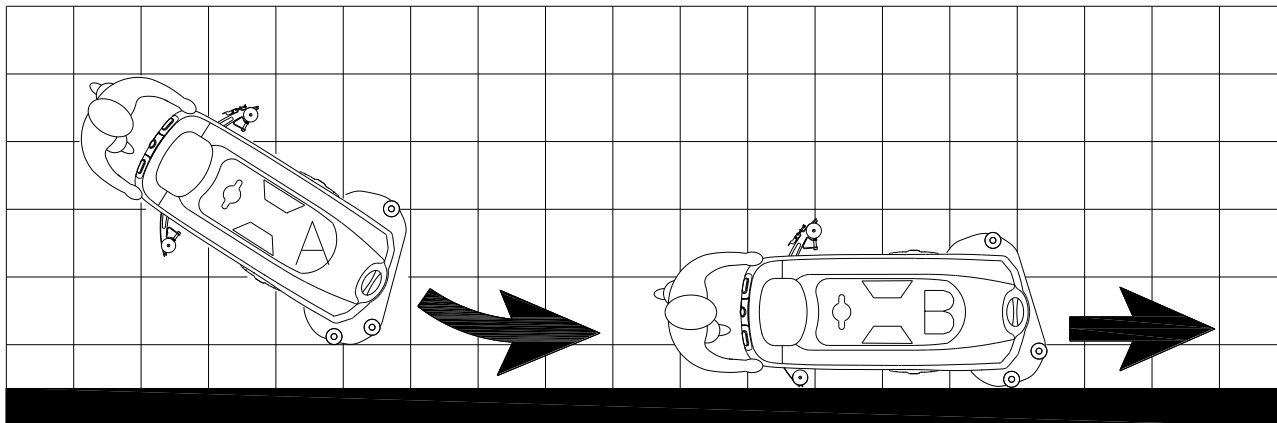
Ábra 14

**MEGJEGYZÉS**

A padló fal menti részének megfelelő súrolásához/szárításához. A falakat a gép jobb oldalával javasolt megközelíteni (A és B, Ábra 15), az ábrán látható módon.

**VIGYÁZAT!**

A padlófelület-sérülések elkerülése érdekében kapcsolja ki a keféket/párnatartókat, amikor a berendezés egy helyben áll, különösen akkor, amikor az extra nyomás funkció is be van kapcsolva.



Ábra 15

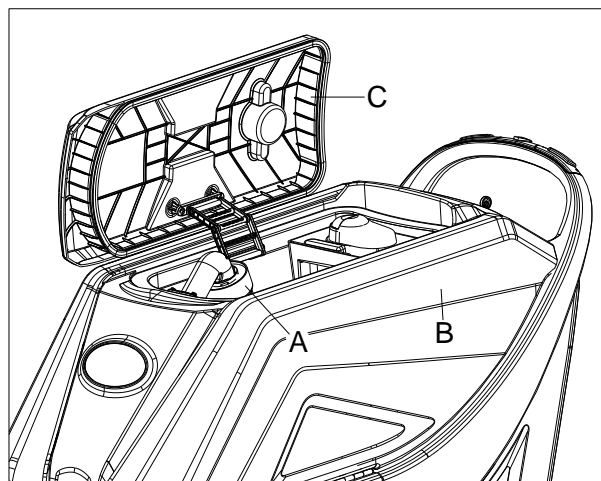
ÜRES TARTÁLY

Egy automatikus úszó kikapcsoló rendszer (B, Ábra 16) blokkolja a szivórendszert, amikor a gyűjtővíztartály (C) megtelt. A szivórendszer deaktiválását a szivórendszer motor zajsztídjének hirtelen megnövekedése jelzi, valamint az, hogy a padló nem száradt meg.

**VIGYÁZAT!**

Ha a szivórendszer véletlenül kikapcsol (pl. a lebegés aktiválásakor a berendezés hirtelen mozgása esetén), a használat folytatásához: kapcsolja ki a szivórendszert a kapcsoló (50, Ábra 3) megnyomásával, majd nyissa fel a fedelet (C, Ábra 16) és ellenőrizze, hogy a lebegő labda a rácson belül (A) lement-e a víz szintjére. Ezt követően zárja le a fedelet (C) és kapcsolja be a szivórendszert a kapcsoló (50, Ábra 3).

Amikor a szennyvíztartály (B, Ábra 16) megtelt, az alábbi eljárást követve ürítse ki.



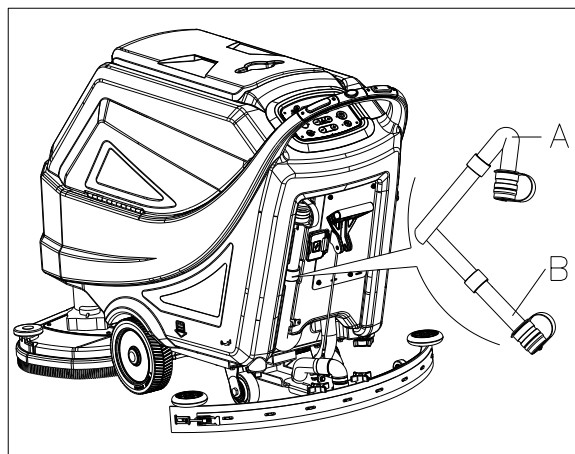
Ábra 16

A gyűjtőtartály kiürítése

1. Állítsa le a berendezést.
2. Emelje fel a kefe-/szivacsstartó platót (25, Ábra 1) az egygombos indítás (49, Ábra 3) lenyomásával, vagy indítsa újra a gépet az indítókulccsal (42, Ábra 3).
3. Emelje fel a gumitörlőt (11, Ábra 1) a gumitörlő-emelő/-leeresztő kar (39, Ábra 2) segítségével.
4. Vezesse a gépet a kijelölt ürítési területre.
5. Ürítse ki a gyűjtőtartályt a tömlőn keresztül (A, Ábra 17). Majd öblítse ki a tartályt (B, Ábra 16) tiszta vízzel.

**VIGYÁZAT!**

A szennyvíz leeresztésekor a szennyvízleeresztő tömlőt be kell hajtani (A, Ábra 17) és alsó pozícióba kell állítani (B, Ábra 17), majd a víz leeresztéséhez ki kell nyitni a szennyvízleeresztő tömlő fedelét. Ne hagyja, hogy a szennyvízleeresztő tömlő felfelé nézzen és a szennyvíz vízszintesen távozzon. Ezzel elérheti, hogy a szennyvíz Önre menjen.



Ábra 17

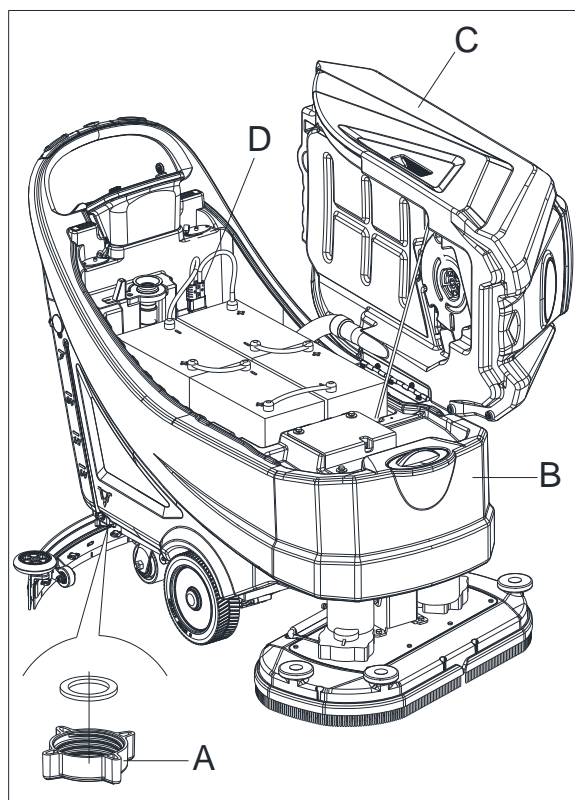
Oldószer/tiszta víz tartály kiürítése

1. Ürítse ki a tisztítószeres tartályt a kimeneti fedélen keresztül (A, Ábra 18). Munka után öblítse ki a tartályt tiszta vízzel.

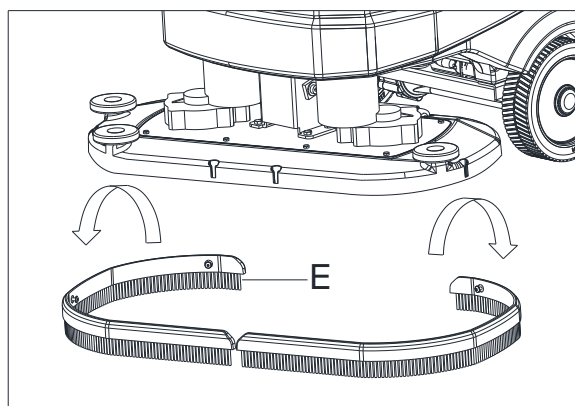
A BERENDEZÉS HASZNÁLATA UTÁN

Munka után, mielőtt magára hagyná a berendezést:

1. Távolítsa el a kefe-/szivacsstartókat a kioldógomb (44, Ábra 3) lenyomásával és tisztítsa meg őket (kizárólag tárcsás gépek esetén).
2. Távolítsa el és tisztítsa meg a fröccsenésgátlót (E, Ábra 19). (kizárólag tárcsás gépek esetén)
3. Távolítsa el és tisztítsa meg a szivacsot. (kizárólag orbitális gépek esetén)
4. Ürítse ki a tartályokat (B és C, Ábra 18) az előző bekezdésben leírtak szerint.
5. Végezze el a napi karbantartási eljárásokat (lásd: Karbantartás fejezet).
6. A berendezést tiszta és száraz helyen tárolja, felemelt vagy eltávolított kefékkel/pámatartókkal és gumitörlővel.



Ábra 18



Ábra 19

A HASZNÁLATON KÍVÜLI GÉP TÁROLÁSA

Ha a berendezést több mint 30 napig nem fogja használni, végezze el a következőket:

1. Végezze el az A gép használata után bekezdésben leírt eljárásokat.
2. Válassza le az akkumulátor csatlakozóját (29, Ábra 2).

A HASZNÁLAT ELSŐ IDŐSZAKA

Az első 8 óra után ellenőrizze a rögzített és csatlakoztatott részek megfelelő tartását, és ellenőrizze, hogy a láthatórészeken nincs-e kopás vagy szivárgás.

KARBANTARTÁS**FIGYELMEZTETÉS!**

Karbantartási munkákat kizárólag a gép kikapcsolása és az akkumulátor töltő kábel lecsatlakoztatása után lehet végrehajtani. Továbbá, figyelmesen olvassa el a biztonsági fejezeteket a kézikönyvben.

Minden ütemezett és rendkívüli karbantartási munkát kizárólag képzett személy vagy felhatalmazott szerviz központ hajthat végre. Ez a kézikönyv csak az általános és egyszerű karbantartási folyamatokat tárgyalja. Egyéb karbantartási munkálatok kapcsán, melyek nem találhatók az alábbi karbantartás ütemezési táblázatban, kérjük, hivatkozzon a Szerviz kézikönyvre, melynek kapcsán konzultálhat bármely szerviz központunkkal.

ÜTEMEZETT KARBANTARTÁSI TÁBLÁZAT**VIGYÁZAT!**

Az eljárás, melyet (1) jelöl, kötelezően elvégzendőek a gép első 8 órás használata után. Az eljárás, melyet (2) jelöl, kizárólag a cégünk által képesített szerviz központunk által hajtható végre.

Folyamat	Naponta, minden használat után	Hetente	Félévente	Évente
Akkumulátor töltés				
Gumitörlő tisztítás				
Kefe/szivacstartó tisztítás				
Tartály tisztítás				
Tartály tömítő zsinór ellenőrzés				
Úszó labda szűrő tisztítás				
A szivacs tisztítása				
A fröccsenésgátló tisztítása (kizárólag tárcsás gépek esetén)				
Gumitörlő lap ellenőrzés és csere				
Tisztítóvíz szűrő tisztítás				
Szívó szűrő tisztítás				
Nedves akkumulátor folyadékszint ellenőrzés				
Csavar és anya szorosság ellenőrzés			(1)	
Alsó leválasztó (kizárólag orbitális gépek esetén)			(2)	
Kefemotor szénkeféjének ellenőrzése vagy cseréje				(2)
Szívómotor szénkeféjének ellenőrzése vagy cseréje				(2)
Hajtórendszermotor szénkeféjének ellenőrzése vagy cseréje				(2)

INTRODUZIONE**ATTENZIONE!**

Alcune informazioni generali e dettagliate sulla macchina non sono incluse in questa guida. Consultare la GUIDA RAPIDA sul CD-ROM accluso leggibile con Adobe® Reader®.

**NOTA**

I numeri tra parentesi si riferiscono alle parti elencate nel capitolo Descrizione della Macchina.

SCOPO E CONTENUTI DELLA GUIDA

La presente Guida rapida intende fornire all'operatore tutte le informazioni basilari sull'utilizzo corretto della macchina. Per le informazioni sulle caratteristiche tecniche, sul funzionamento, sull'inattività della macchina, sui ricambi e sulle condizioni di sicurezza ecc, fare riferimento alla GUIDA RAPIDA sul CD-ROM accluso.

Prima di effettuare qualsiasi intervento sulla macchina, gli operatori e i tecnici qualificati devono leggere la guida rapida. Contattare la nostra azienda in caso di dubbi sull'interpretazione delle istruzioni e per qualsiasi ulteriore informazione.

COME CONSERVARE LA PRESENTE GUIDA RAPIDA

La Guida rapida all'uso deve essere tenuta vicino alla macchina, in un adeguato contenitore, lontano da liquidi e altre sostanze che potrebbero danneggiarla in qualsiasi modo.

DICHIARAZIONE DI CONFORMITÀ

La dichiarazione di Conformità viene fornita con la macchina e certifica la sua conformità alle vigenti leggi.

**NOTA**

Copie della dichiarazione originale sono fornite insieme con la documentazione relative alla macchina.

ACCESSORI E MANUTENZIONE

Tutte le necessarie operazioni, procedure di manutenzione e riparazione devono essere eseguite da personale qualificato di un nostro Centro di assistenza e di riparazione designato. È possibile utilizzare SOLO ricambi e accessori originali od omologati.

Se necessario, contattare il servizio clienti della nostra azienda per qualsiasi riparazione o acquisto di accessori e pezzi di ricambio.

MODIFICHE E MIGLIORAMENTI

Dal momento che ci proponiamo un continuo miglioramento dei nostri prodotti, la compagnia si riserva il diritto di modificare la macchina e di apportarvi miglioramenti senza ulteriore preavviso.

GAMMA DI APPLICAZIONI

La macchina è destinata al solo uso commerciale e industriale. È stata progettata per la pulizia di pavimenti lisci e solidi, da parte di personale qualificato in condizioni di sicurezza. Non è destinata all'uso in esterni o alla pulizia di moquette o superfici ruvide.

DATI IDENTIFICATIVI DELLA MACCHINA

Il numero di matricola della macchina e il nome del modello sono segnati sull'etichetta di serie.

Queste informazioni sono necessarie. Usare la seguente tabella per trascrivere i dati identificativi della macchina al momento della richiesta di parti di ricambio.

MODELLO DELLA MACCHINA.....
NUMERO DI MATRICOLA DELLA MACCHINA.....

TRASPORTO E DISIMBALLO

Quando il corriere consegna la macchina, assicurarsi che la confezione e la macchina siano entrambi integri e non danneggiati. In presenza di danni, avvisare il corriere del danno prima di accettare la merce, per riservarsi il diritto al risarcimento del danno.

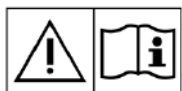
Seguire rigorosamente le istruzioni sulla confezione quando si toglie la macchina dalla confezione.

Verificare la confezione per assicurarsi che le seguenti voci siano incluse:

1. Documentazione tecnica guida rapida
2. Catalogo ricambi (*).
3. Connessione batterie.
4. Manuale del caricabatterie elettronico (se installato) (*)

SICUREZZA

Per segnalare potenziali condizioni di pericolo viene utilizzata la seguente simbologia. Leggere sempre queste informazioni con attenzione e prendere tutte le necessarie precauzioni per salvaguardare cose e persone.

SIMBOLI VISIBILI SULLA MACCHINA

AVVERTENZA!

Leggere tutte le istruzioni attentamente prima di utilizzare la macchina.



AVVERTENZA!

Non lavare la macchina con getti d'acqua diretti o pressurizzati.



AVVERTENZA!

Non usare la macchina su pendii con pendenza superiore a quella indicate nelle specifiche.

SIMBOLI PRESENTI NELLA GUIDA RAPIDA

PERICOLO!

Indica una situazione pericolosa con rischio di morte per l'operatore.



AVVERTENZA!

Indica un potenziale rischio di lesioni a persone.



ATTENZIONE!

Indica una precauzione o una nota relative a funzioni importanti o utili.

Fare attenzione ai paragrafi contrassegnati da questo simbolo.



NOTA

Indica una nota riferita a funzioni utili o importanti.



CONSULTAZIONE

Indica la necessità di consultare la presente Guida rapida prima di eseguire qualsiasi operazione.

ISTRUZIONI GENERALI DI SICUREZZA

Specifiche avvertenze e precauzioni per informarvi dei potenziali danni a persone e alla macchina sono elencate di seguito.

**PERICOLO!**

- Questa macchina deve essere utilizzata da personale autorizzato e opportunamente istruito circa le indicazioni contenute nel manuale.
- Prima di eseguire qualsiasi operazione di pulizia, manutenzione, riparazione, o sostituzione, leggere attentamente le istruzioni, assicurarsi che la macchina sia SPENTA e scollegare il connettore della batteria.
- Non operare con questa macchina in ambienti dove sono presenti polveri, liquidi o vapori nocivi, pericolosi, infiammabili e/o esplosivi: questa macchina non è adatta a raccogliere polvere pericolosa.
- Non indossare gioielli mentre si utilizza la macchina accanto a componenti elettrici.
- Non lavorare sotto la macchina sollevata senza adeguati sostegni fissi di sicurezza.
- Se si usano batterie ad acido (WET), queste potrebbero emettere gas infiammabili in condizioni di uso normale, pertanto occorre tenere scintille, fiamme, materiali fumanti, oggetti che irradiano calore, luce o che bruciano lontano dalle batterie.
- Durante la ricarica delle batterie al piombo (WET), le batterie potrebbero emettere gas idrogeno che può risultare esplosivo. Occorre pertanto assicurarsi che l'ambiente di ricarica sia ben ventilato e lontano da fiamme libere.

**AVVERTENZA!**

- La presente macchina è destinata a un USO COMMERCIALE, ad esempio in hotel, scuole, ospedali, fabbriche, negozi, uffici e attività di noleggio.
- Se lasciate incustodite, le macchine devono essere protette da movimenti accidentali.
- Per impedire l'utilizzo non autorizzato della macchina, è necessario disattivare o bloccare l'alimentazione, rimuovendo ad esempio la chiave dell'interruttore generale o di accensione.
- Verificare con attenzione la macchina prima di ogni utilizzo. Assicurarsi che tutti i componenti siano stati montati correttamente prima dell'uso. In caso contrario possono causare danni a persone e proprietà.
- Prima di usare il caricabatterie, assicurarsi che i valori di frequenza e tensione indicati sull'etichetta del numero di matricola della macchina coincidano con quelli della rete elettrica.
- Non spostare mai la macchina tirando il cavo del caricabatterie. Non far passare il cavo attraverso una porta chiusa, o non avvolgere il cavo intorno a bordi o angoli taglienti. Non far passare la macchina sopra il cavo del caricabatterie. Tenere il cavo del caricabatterie lontano da superfici calde.
Non caricare le batterie se il cavo di ricarica o la spina sono danneggiati.
- Per ridurre il rischio di incendio, scosse elettriche o lesioni, assicurarsi che la macchina sia spenta prima di andarsene.
- Usare o riporre la macchina al chiuso in condizioni asciutte; la macchina non è progettata per uso in esterni.
- La temperatura sia di lavoro che di conservazione della macchina deve essere compresa tra 0 °C e +40 °C, l'umidità dell'aria deve essere compresa tra 30% e 95%.
- Non usare la macchina su superfici con gradiente superiore a quello indicato.
- Nell'utilizzare detergenti per pavimenti, attenersi alle istruzioni e alle avvertenze indicate sulle etichette dei flaconi e indossare appositi guanti di protezione.
- Usare spazzole e feltri forniti con la macchina o indicate nel manuale. L'utilizzo di spazzole o di feltri diversi potrebbe ridurre la sicurezza.
- Qualora dovessero riscontrarsi anomalie nel funzionamento della macchina, accertarsi che non dipendano dalla mancata manutenzione. Se necessario, richiedere assistenza a personale autorizzato oppure al Centro di assistenza autorizzato.
- Prendere tutte le precauzioni necessarie per evitare che capelli, gioielli o parti di vestiario restino impigliati nelle parti mobili della macchina.
- Non usare la macchina in ambienti particolarmente polverosi.

- Non lavare la macchina con getti d'acqua diretti o pressurizzati o con sostanze corrosive.
- Non urtare scaffalature o impalcature, soprattutto se esiste il pericolo di caduta oggetti.
- Non appoggiare contenitori di liquidi sulla macchina, utilizzare l'apposita sede portaoggetti.
- Per evitare di danneggiare il pavimento, non permettere che la spazzola/feltro sia in funzione a macchina ferma.
- In caso di incendio usare l'estintore a polvere e non uno a liquidi.
- Non rimuovere o modificare gli adesivi sulla macchina.
- Non alterare i dispositivi di sicurezza della macchina e seguire scrupolosamente le istruzioni di manutenzione ordinaria.
- Durante i trasferimenti della macchina con temperature inferiori al punto di congelamento, prestare attenzione in quanto l'acqua, presente nel serbatoio acqua di recupero o nei tubi, potrebbe congelarsi e danneggiare seriamente la macchina.
- Se alcuni componenti necessitano di essere sostituiti, ordinare ricambi ORIGINALI presso Fornitori o Rivenditori Autorizzati.
- Se la macchina non funziona correttamente, è danneggiata, rimasta all'aperto o caduta nell'acqua, portarla presso un Centro di assistenza.
- Per garantire un funzionamento appropriato e sicuro della macchina, la manutenzione programmata indicata nell'apposito capitolo di questo Manuale deve essere puntualmente eseguita da personale autorizzato o da un Centro di assistenza autorizzato.
- La macchina deve essere smaltita correttamente, per la presenza di materiali tossici-dannosi (batterie, ecc.) che sono soggetti ad apposita normativa e che richiedono lo smaltimento presso centri specializzati (vedere capitolo Smaltimento).
- Questa macchina è solo uno strumento di pulizia e non deve essere utilizzata ad alcun altro scopo.
- Mantenere le aperture della macchina libere da polvere, filaccia, peli e qualsiasi altro corpo estraneo che possa ridurre la ventilazione. Non usare la macchina se le aperture sono ostruite.
- Utilizzare la macchina solamente in aree sufficientemente illuminate.
- questa macchina non è destinata all'uso da parte di persone (compresi i bambini) con ridotte capacità fisiche, sensoriali o mentali o prive di esperienza e formazione.
- Porre estrema attenzione quando la si usa vicino ai bambini.
- I bambini dovrebbero essere supervisionati per assicurarsi che non giochino con la macchina.
- Mentre si usa la macchina, assicurarsi di non causare danni a persone o oggetti.
- La pulizia e la manutenzione della macchina non possono essere eseguite da bambini senza adeguata supervisione.

DESCRIZIONE DELLA MACCHINA
STRUTTURA DELLA MACCHINA (come illustrato in Figura 1)

- | | |
|--|---|
| 1. Coperchio del serbatoio acqua di recupero | 15. Cerniera |
| 2. Portaoggetti | 16. Serbatoio acqua di recupero |
| 3. Manubrio | 17. Coperchio del filtro |
| 4. Pannello di controllo | 18. Supporto tubo di riempimento |
| 5. Scatola centralina di controllo | 19. Supporto del filtro |
| 6. Targhetta matricolare/dati tecnici | 20. Guarnizione coperchio serbatoio |
| 7. Coperchio uscita | 21. Vano di raccolta detriti |
| 8. Manopole tergitore | 22. Filtro a sfera galleggiante |
| 9. Tubo di aspirazione tergitore | 23. Rubinetto soluzione detergente/acqua pulita |
| 10. Manopola per regolazione bilanciamento tergitore | 24. Ruote posteriori sterzanti |
| 11. Tergitore | 25. Sistema spazzole (solo per macchina a disco) |
| 12. Filtro soluzione detergente | 26. Paraspruzzi |
| 13. Ruote di trazione | 27. Manopola di regolazione testa orbitale |
| 14. Serbatoio soluzione detergente | 28. Sistema orbitale (solo per macchina orbitale) |

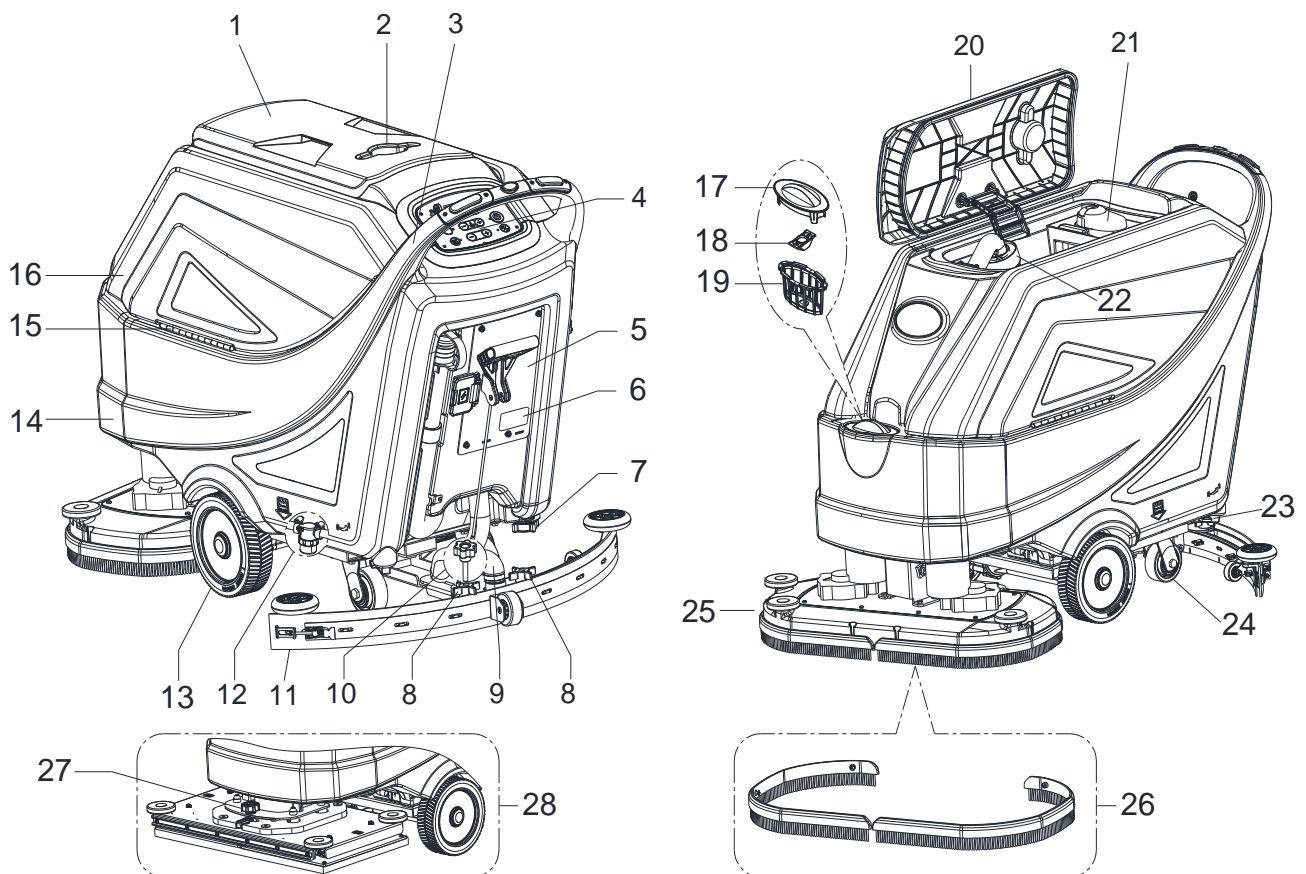
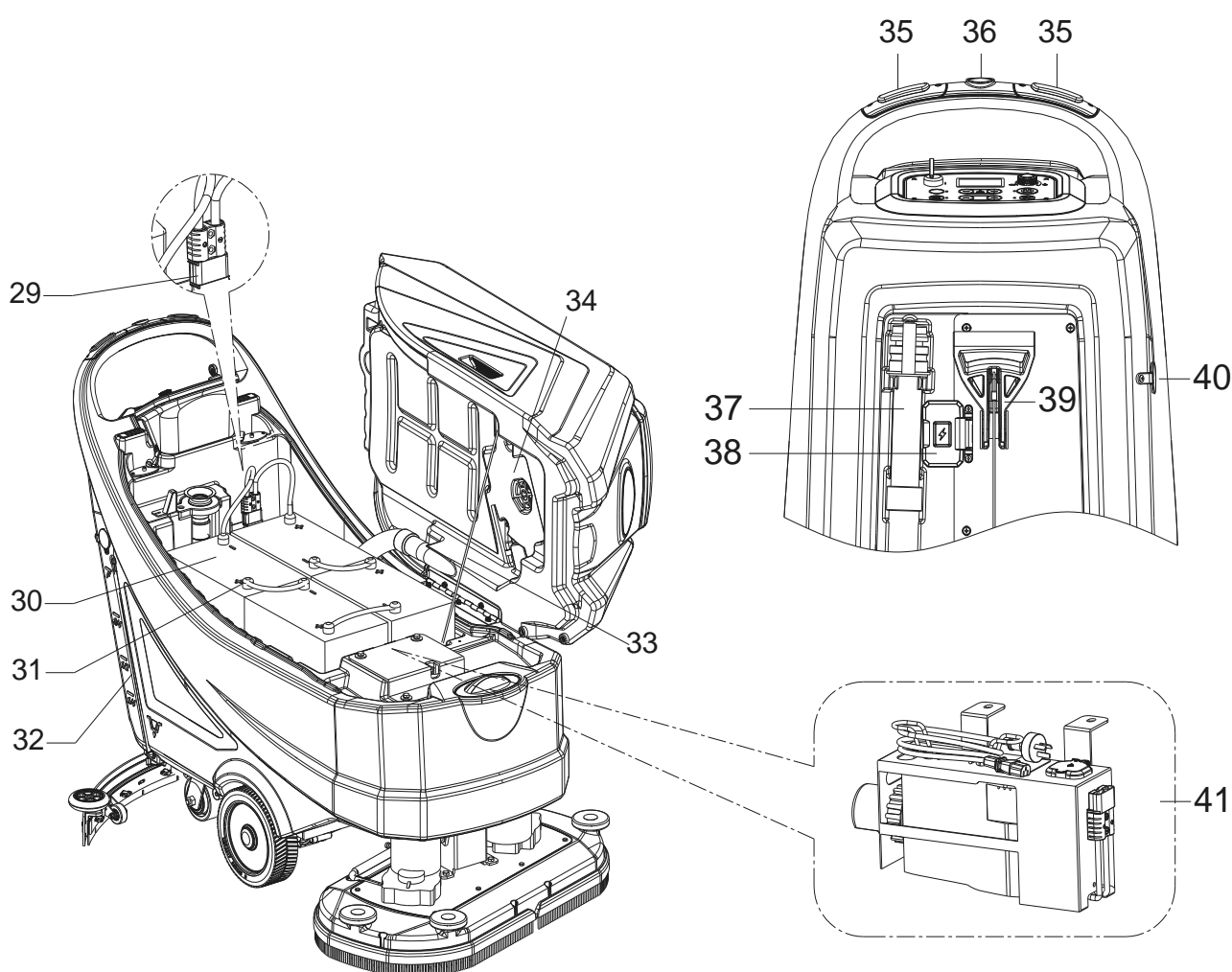


Figura 1

STRUTTURA DELLA MACCHINA (come illustrato in Figura 2)

- | | |
|--|---|
| 29. Connettore batteria (rosso) | 36. Interruttore di marcia indietro macchina |
| 30. Batterie (*) | 37. Tubo di scarico acqua di recupero |
| 31. Tappi batterie | 38. Coperchio di sicurezza spinotto di ricarica |
| 32. Tubo indicatore livello dell'acqua | 39. Manopola di sollevamento/abbassamento tergitore |
| 33. Cavo di sicurezza serbatoio | 40. Tappo laterale per riempimento serbatoio soluzione detergente |
| 34. Impianto di aspirazione | 41. Carica-batterie incorporato (*) |
| 35. Interruttore di sicurezza | (*): Opzionale |

**Figura 2**

PANNELLO DI CONTROLLO (come illustrato in Figura 3)

41. Display multifunzione
Visualizzazioni:
A) Tipologia batterie
B) Livello di carica batterie
C) Ore lavoro
D) Modalità ECO
E) Modalità aspirazione normale
F) Modalità aspirazione silenziosa
G) Modalità retromarcia
H) Pressione supplementare attiva
I) Quantità flusso soluzione detergente
J) Modalità lavoro spazzola
K) Modalità aspirazione
L) Modalità preparazione pavimento
42. Chiave di accensione (0 - I)
43. Pulsante modalità ECO
• LED acceso - sotto funzione attivata
• flusso dell'acqua al minimo (livello 1)
• pressione al minimo (livello 1)
• Aspirazione in modalità silenziosa
44. Pulsante di sgancio spazzola/portafiltro (solo macchina a disco)
• LED lampeggiante - sistema di sgancio attivato
45. Pulsante preparazione pavimento (solo per macchina orbitale)
• Velocità di spostamento preimpostata a 1 km/h
• LED acceso - sotto funzione attivata
• flusso dell'acqua al minimo (livello 1)
• pressione al massimo (livello 3)
• Aspirazione in modalità normale
46. Pulsante di regolazione pressione della spazzola
47. Pulsante di regolazione flusso soluzione detergente
48. Regolatore velocità di marcia
49. Pulsante di avviamento unico
• LED acceso - sotto funzione attivata
• sistema dell'acqua al minimo (livello 1)
• pressione al minimo (livello 1)
• impianto di aspirazione normale
50. Pulsante regolazione impianto di aspirazione (per l'attivazione premere il pulsante per 1 secondo)
• LED acceso - modalità normale
• LED lampeggiante - modalità silenziosa

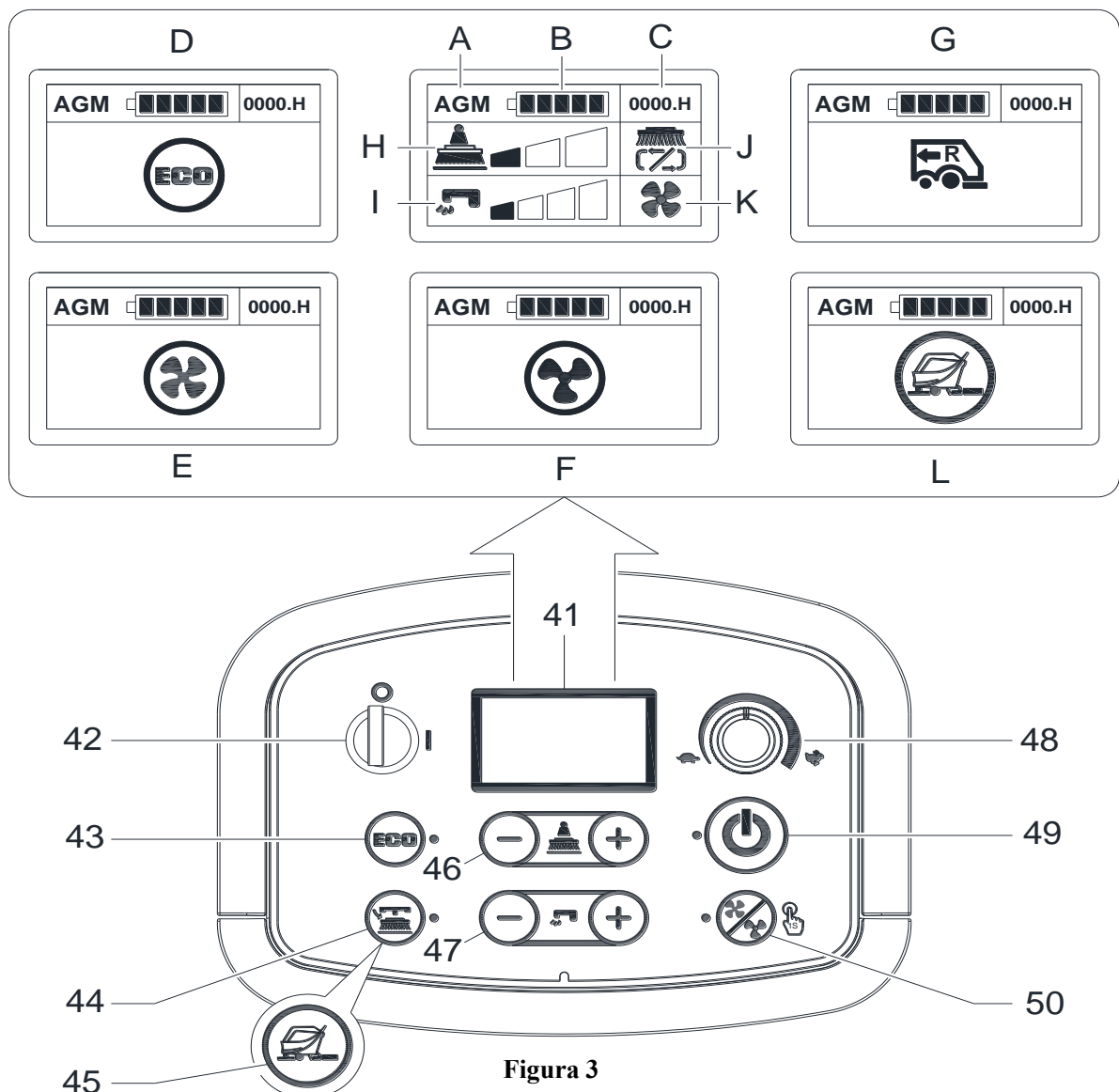


Figura 3

PARAMETRI TECNICI

Tipologia parametro	Unità	Modello		
		AS6690T	AS7690T	AS7190TO
Capacità serbatoio soluzione detergente	L / Gal	85 L / 22 Gal.		
Capacità serbatoio acqua di recupero	L / Gal	90 L / 24 Gal.		
Lunghezza macchina	mm/poll.	1490 mm / 59 poll.	1550 mm / 61 poll.	1490 mm / 59 poll.
Larghezza macchina con tergitore	mm/poll.	830 mm / 33 poll.	950 mm / 38 poll.	
Larghezza macchina senza tergitore	mm/poll.	730 mm/29 poll.	830 mm/33 poll.	750 mm/30 poll.
Altezza macchina	mm/poll.	1020 mm/40,2 poll.		
Larghezza di pulizia	mm/poll.	660 mm/26 poll.	760 mm/30 poll.	710 mm/28 poll.
Diametro ruote di trazione	mm/poll.	230 mm/9 poll.		
Pressione specifica al suolo ruote di trazione	N/mm ²	0,67 N/mm ²		
Diametro ruota posteriore	mm/poll.	101 mm/4 poll.		
Pressione specifica al suolo ruote posteriori	N/mm ²	0,82 N/mm ²		
Diametro spazzola/feltro	mm/poll.	330 mm x 2 / 13 poll. x 2	380 mm x 2 / 15 poll. x 2	355x710 mm / 14x28 poll.
Pressione spazzola/feltro (max)	kg/lbs.	32 kg /71 lbs 41 kg /90 lbs 49 kg /108 lbs	35 kg /77 lbs 43 kg /95 lbs 51 kg /112 lbs	42 kg / 93 lbs 54 kg / 120 lbs 65 kg / 143 lbs
Flusso soluzione detergente (max) per impostazione	L/Gal al minuto	(0,9 / 1,5 / 2,2 / 3) litri (0,24 / 0,39 / 0,58 / 0,79) galloni		(0,6 / 1,1 / 1,9 / 2,5) litri (0,16 / 0,29 / 0,5 / 0,66) galloni
Pressione acustica	dB (A)	69 ± 3 dB (A)		
Livello pressione acustica in modalità ECO o in modalità silenziosa	dB (A)	65 ± 3 dB (A)		
Livello vibrazioni (max)	m/s ²	< 2,5 m/s ²		
Capacità di salita (max)	grado %	2%		
Svolta passaggio min.	cm/poll.	155 cm/61 poll.	165 cm/65 poll.	160 cm/63 poll.
Potenza motore di trazione	Watt/hp	250 W/0,33 hp		350 W/0,47 hp
Velocità di lavoro	km/miglia all'ora	0 - 4.0 km / 0 - 2.5 miglia all'ora		0 - 3, 2 km / 0 - 2.0 miglia all'ora
Velocità in marcia avanti	km/miglia all'ora	0 - 4,0 km / 0 - 2,5 miglia all'ora		
Velocità in retromarcia	km/miglia all'ora	0 - 2,0 km / 0 - 1,25 miglia all'ora		
Potenza del motore di aspirazione	Watt/hp	500 W/0,66 hp		
Capacità di aspirazione	mm/poll. di H ₂ O	1500 mm/60 poll. di H ₂ O		
Capacità di aspirazione in modalità ECO o in modalità silenziosa	mm/poll. di H ₂ O	900 mm/35 poll. di H ₂ O		
Potenza motore spazzole	Watt/hp	500 x 2 Watt / 0,66 x 2 hp		750 Watt / 1,0 hp
Velocità di rotazione spazzola in modalità normale	Giri/min.	200 giri/min.		2200 giri/min.
Velocità di rotazione spazzola in modalità ECO	Giri/min.	160 giri/min.		1600 giri/min.
Grado di protezione IP	IP	IP24		
Dimensioni vano batterie con caricabatterie non incorporato (L x P x A)	mm/poll.	(620 x 385 x 390) mm / 24,4 x 15,1 x 15,3 poll.		
Dimensioni vano batterie con caricabatterie incorporato (L x P x A) (*)	mm/poll.	(535 x 385 x 390) mm / 21 x 15,1 x 15,3 poll.		
Voltaggio	DC	24 V		
Batterie (*)	Ah	Non/disp.		
Autonomia batterie (batterie standard) (*)	Ore	Fino a 4 ore		
Carica-batterie incorporato (*)	Volt/Ampere	24V 25A		
Produttività (max)	m ² /h	2640 m ² /h	3040 m ² /h	2272 m ² /h
Peso della macchina con i serbatoi vuoti (senza batterie)	kg/lbs.	135 kg/298 lbs	138 kg/304 lbs	148 kg/326 lbs
Peso totale macchina GVW (Gross Vehicle Weight)	kg/lbs.	347 kg/765 lbs	350 kg/772 lbs	360 kg/794 lbs
Peso di spedizione	kg/lbs.	202 kg/444 lbs	205 kg/451 lbs	215 kg/473 lbs
Dimensioni imballaggio (L x P x A)	mm/poll.	(1620 x 810 x 1200 mm) / (64 x 32 x 48 poll.)	(1660 x 910 x 1200 mm) / (66 x 36 x 48 poll.)	

(*) Opzionale

GUIDA OPERATIVA

**AVVERTENZA!**

In alcuni punti della macchina ci sono etichette adesive che indicano:

- PERICOLO!
- AVVERTENZA!
- ATTENZIONE!
- CONSULTAZIONE

Durante la lettura del presente manuale, l'operatore deve prestare particolare attenzione ai simboli delle targhette. Non coprire le targhette per nessuna ragione e sostituirle immediatamente nel caso in cui vengano danneggiate.

VERIFICA/IMPOSTAZIONE DELLA BATTERIA SU MACCHINA NUOVA

**AVVERTENZA!**

I componenti elettrici della macchina possono subire gravi danni se le batterie non vengono installate e collegate in modo corretto. Le batterie devono essere installate solo da personale qualificato. Impostare la scheda elettronica funzioni e il caricabatterie incorporato a seconda del tipo di batterie utilizzate (batterie WET o GEL/AGM). Verificare prima dell'installazione che le batterie non siano danneggiate. Scollegare il connettore della batteria e la spina del caricabatterie. Maneggiare le batterie con molta cura. Installare i cappucci protettivi dei terminali della batteria forniti con la macchina.

Batterie montate sulla macchina e pronte all'uso

1. Controllare che il connettore della batteria (29, Figura 2) sia collegato.
2. Al primo utilizzo della macchina con batterie nuove, eseguire un ciclo di ricarica completa delle batterie (vedere procedura al capitolo Manutenzione).

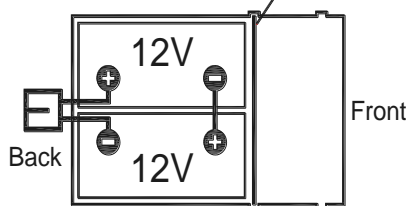
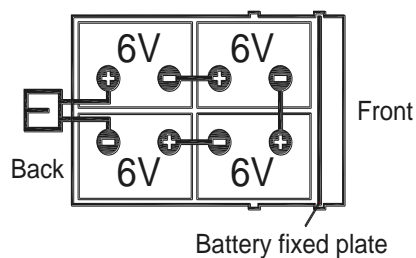
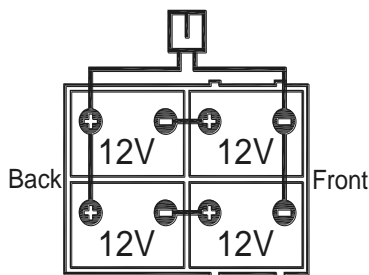


Figura 4

**NOTA**

La macchina richiede due batterie da 12 V o quattro batterie da 6 V, collegate come nello schema (Figura 4).

Sistemare la targhetta fissa della batteria correttamente (Figura 4).

**Senza batterie**

1. Acquistare le batterie corrette (consultare il paragrafo "Dati tecnici"). Per la scelta e l'installazione della batteria, rivolgersi a rivenditori di batterie qualificati.
2. In base al tipo di batterie scelto, impostare la macchina operando come indicato nel paragrafo Chiave di servizio al capitolo Manutenzione.

INSTALLAZIONE DELLE BATTERIE E IMPOSTAZIONE DEL TIPO DI BATTERIE (WET OR GEL/AGM OR DIS OR ENES)

Installazione delle batterie

1. Aprire il coperchio del serbatoio acqua di recupero (1, Figura 1) e verificare che il serbatoio acqua di recupero (16) sia vuoto; altrimenti svuotarlo con il tubo di scarico (37, Figura 2).
2. Richiudere il coperchio del serbatoio acqua di recupero (1, Figura 1).
3. Sollevare delicatamente il serbatoio acqua di recupero (16, Figura 1).
4. La macchina è alimentata con cavi adeguati per l'installazione di due batterie da 12 V o di quattro batterie da 6 V. Inserire le batterie con cura nello scomparto, quindi installarle correttamente. Sistemare la targhetta fissa della batteria correttamente come in (Figura 4).
5. Installare il cavo della batteria come mostrato in (Figura 4), poi serrare con cura il dado su ciascun terminale della batteria.
6. Posizionare il cappuccio protettivo su ciascun terminale, quindi collegare il connettore delle batterie (29, Figura 2).
7. Abbassare con cura il serbatoio acqua di recupero (16, Figura 1).

Impostazione del tipo di batterie installate (WET OR GEL/AGM OR DIS OR ENES)

Accedere per selezionare la modalità delle batterie

In base alla tipologia di batterie (WET o GEL/AGM), impostare la macchina nel modo seguente:

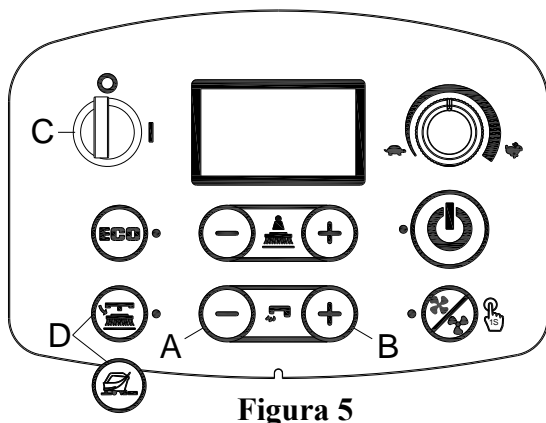


Figura 5

Access to select battery mode

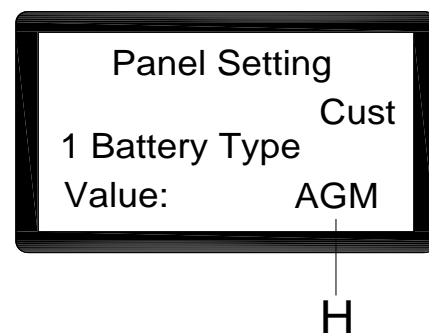


Figura 6

1. Premere contemporaneamente il pulsante del flusso d'acqua "+" (A, Figura 5) e "-" (B, Figura 5).
2. Inserire la chiave di accensione (C, Figura 5) e portarla su "I".
3. Trascorsi alcuni secondi accedere alla schermata di selezione della modalità batteria (Figura 6)
4. Premere contemporaneamente il pulsante del flusso d'acqua "-" (A, Figura 5) e "+" (B, Figura 5). per selezionare la modalità batteria (H, Figura 6)
5. Premere il pulsante di sgancio per la versione con spazzole a disco o il pulsante preparazione pavimento per la versione orbitale (D, Figura 5). Dopo 3 secondi viene visualizzato "Update OK" (Aggiornamento OK) che significa che l'impostazione è riuscita, accendere per riavviare. (C, Figura 5)

Impostazione caricabatterie (solo per il caricabatteria incorporato, se installato)



AVVERTENZA!

Non effettuare l'impostazione del caricabatterie a meno che non si abbia una formazione professionale

1. Spegner la macchina e smontare il caricabatterie incorporato (A, Figura 7) dalla macchina. Quindi aprire la targhetta sul coperchio del carica-batterie (B, Figura 7) trovare 2 serie di dipswitch (SW1 ed SW2) nel caricabatterie.
2. Solo la serie di dipswitch SW1 (quella sul lato sinistro) produce effetti sulla selezione della curva di carica in base alla tabella seguente.

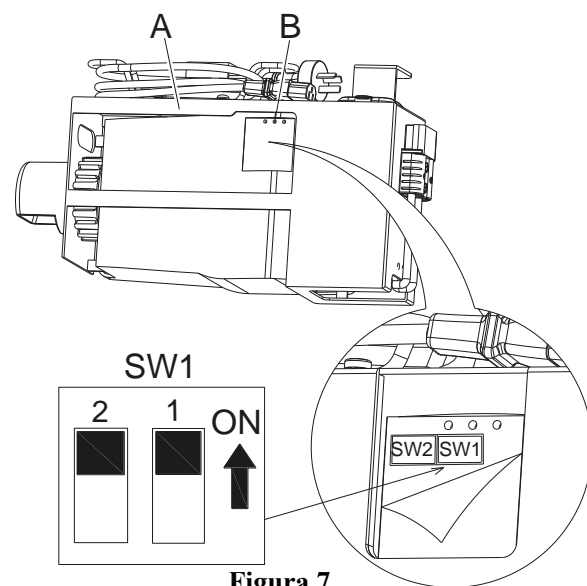


Figura 7

DP1	DP2	CURVA DI CARICA
ON	OFF	IUIa-ACD per batterie acido-piombo (Wet)
OFF	OFF	IUIa-GEL per batterie al Gel Exide-Sonnenschein
OFF	ON	IUU0-GEL per batterie HAZE Gel ed AGM di altri produttori
ON	ON	IUIUa-AGM per batterie AGM Discover

Ricarica delle batterie

Eseguire un ciclo di ricarica completa delle batterie (vedere la procedura al capitolo Manutenzione).

Esaurimento della batteria

Quando l'indicatore delle batterie indica pieno (G, Figura 8), le batterie consentono il normale funzionamento della macchina. Se l'indicatore della batteria indica un livello basso (H, Figura 8), è necessario ricaricare le batterie. Trascorsi alcuni secondi dalla visualizzazione dell'indicatore di carica bassa della batteria, si spegne automaticamente la spazzola/portafeltro, mentre l'impianto di trazione rimane acceso. Portare immediatamente la macchina nella zona di ricarica designata.

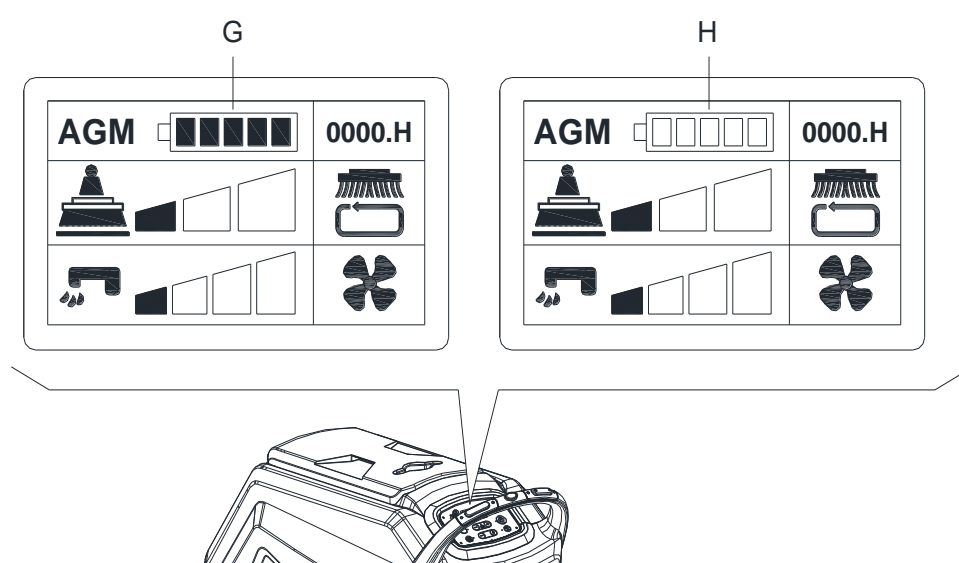


Figura 8



ATTENZIONE!

Quando le batterie sono scariche, fare in modo che non rimangano a lungo in tale condizione per non ridurre la vita delle batterie stesse. Controllare il livello di carica delle batterie almeno una volta la settimana.

INSTALLAZIONE E RIMOZIONE DELLA SPAZZOLA/PORTAFELTRO (solo per macchina con spazzole a disco)**NOTA**

Installare le spazzole (A, Figura 9) o i portafeltro (B e C, Figura 9) a seconda del tipo di pavimento da pulire.

**ATTENZIONE!**

Prima dell'installazione o della rimozione di spazzole o portafeltro, assicurarsi che tutti gli interruttori della macchina siano in posizione OFF e che il tergitore sia sollevato dal pavimento. L'operatore deve indossare adeguati dispositivi di protezione personale come guanti, per ridurre il rischio di incidenti.

Procedere come segue:

INSTALLAZIONE:

1. Inserire la chiave di accensione (42, Figura 3) e portarla su "I". Sollevare la testata. Spegnerne la macchina togliendo la chiave di accensione (42).
2. Portare al minimo il regolatore di velocità (48), ruotandolo in senso antiorario.
3. Collocare le spazzole (A, Figura 9) o il portafeltro (B) sotto la testata.
4. Ruotare manualmente la spazzola/portafeltro in direzione opposta alla direzione di rotazione normale, in tal modo è possibile effettuare l'installazione (come mostrato in Figura 9).

RIMOZIONE:

1. Inserire la chiave di accensione (42, Figura 3) e portarla su "I". Per rimuovere la spazzola/portafeltro, sollevare la testata premendo il pulsante di sgancio della spazzola/portafeltro (44), la spazzola/portafeltro si sgancia automaticamente.

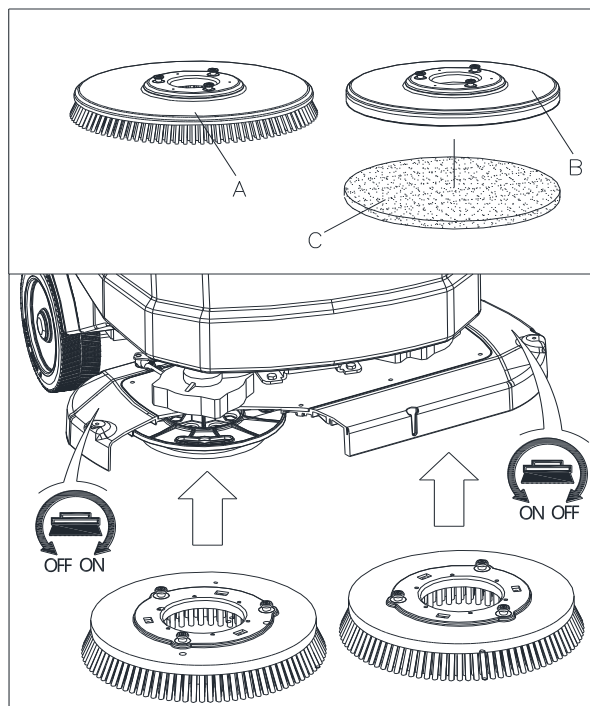


Figura 9

INSTALLAZIONE E RIMOZIONE DEL FELTRO (solo per macchina orbitale)

1. Inserire la chiave di accensione (42, Figura 3) e portarla su "I". Sollevare la testata. Spegnerne la macchina togliendo la chiave di accensione.
2. Utilizzare il metodo manuale per installare o rimuovere il feltro come illustrato nella (Figura 10)

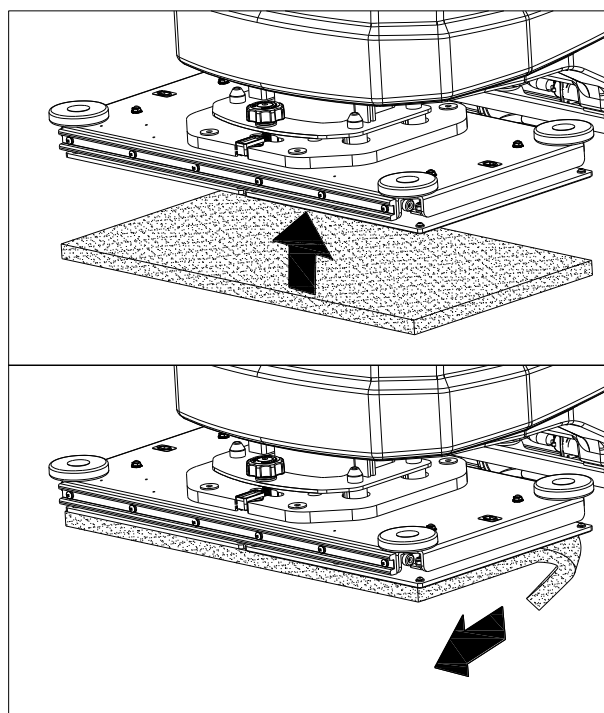


Figura 10

REGOLAZIONE DEL BILANCIAMENTO DEL TERGITORE

1. Installare il tergitoro e serrare i dadi (H, Figura 11), quindi collegare il tubo dell'aspirazione (G) al tergitoro.
2. Regolare il tergitoro mediante la manopola di regolazione del tergitoro (A, Figura 11).
 - a) Se c'è uno spazio vuoto tra il suolo e la sezione mediana della gomma del tergitoro posteriore (B), regolare ruotando la manopola (A) in senso antiorario (F) fino a quando tutte le sezioni della gomma del tergitoro posteriore sono bene a contatto con il suolo, la gomma anteriore tocca leggermente il pavimento.
 - b) Se c'è uno spazio vuoto tra il suolo ed entrambe le estremità della gomma posteriore (C e D), regolare la manopola (A) in senso orario (E) finché tutte le sezioni della gomma siano bene a contatto con il suolo e la gomma anteriore tocchi il suolo leggermente.

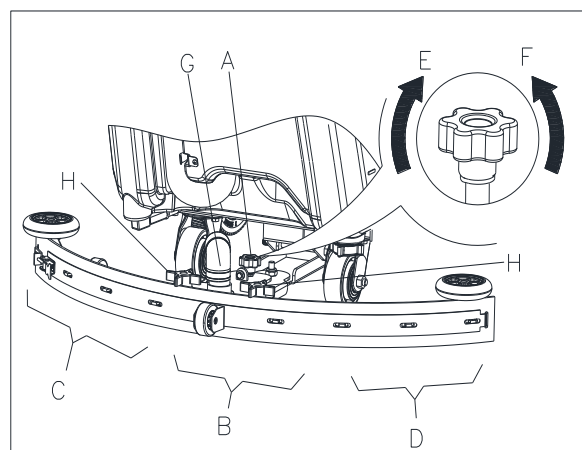


Figura 11

RIEMPIMENTO DEL SERBATOIO DELLA SOLUZIONE DETERGENTE

1. Aprire il coperchio di ingresso dell'acqua (B, Figura 12).
2. Riempire con acqua o con una soluzione detergente adatta al lavoro da eseguire attraverso l'ingresso dell'acqua con filtro.
La temperatura della soluzione detergente non deve superare i +104 F (+40°C).
3. Non riempire troppo il serbatoio, far riferimento all'indicatore del livello dell'acqua (H) circa il volume dell'acqua.



AVVERTENZA!

Usare solo detersivi a bassa schiuma e non infiammabili, apposti per macchine di pulizia automatiche.

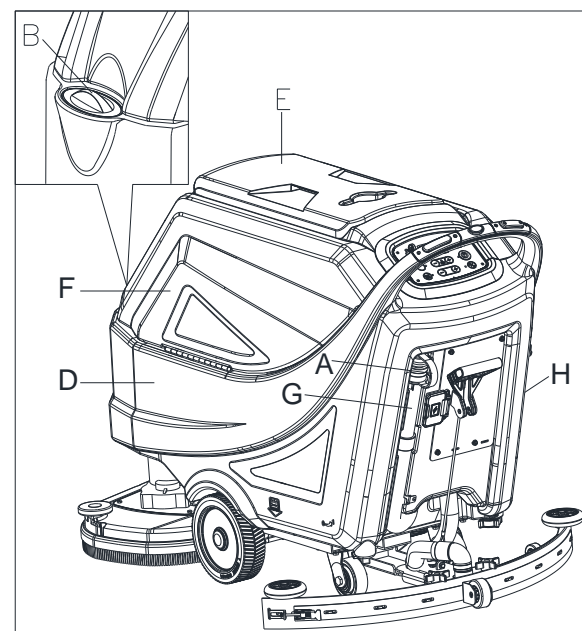


Figura 12

AVVIAMENTO E SPEGNIMENTO DELLA MACCHINA

Avviamento della macchina

1. Preparare la macchina come indicato nel paragrafo precedente.
2. Inserire la chiave di accensione (A, Figura 13) e portarla su "I".
Controllare lo stato delle batterie dalla schermata del display. Se necessario, ricaricare le batterie (vedere la procedura nel capitolo Manutenzione).
3. Portare la macchina nella zona di lavoro:
 - Premendo l'interruttore di sicurezza (F) per avanzare o premendo l'interruttore di sicurezza (F) insieme all'interruttore di retromarcia (G) per muoversi in retromarcia. È possibile regolare la velocità di marcia con il regolatore (H).
4. Abbassare il tergitoro (I) mediante l'impugnatura di sollevamento/abbassamento tergitoro (J).
5. Abbassare la testata portaspazzole/portafeltro (K) premendo il pulsante di avviamento unico (L).
6. Premere i pulsanti di regolazione del flusso soluzione detergente (O) secondo necessità, in base al tipo di lavaggio da eseguire.
7. Cominciare a pulire:
 - Premere l'interruttore di sicurezza (F) per attivare la trazione della macchina. Se necessario, è possibile regolare la velocità di avanzamento con il regolatore (H).

**NOTA**

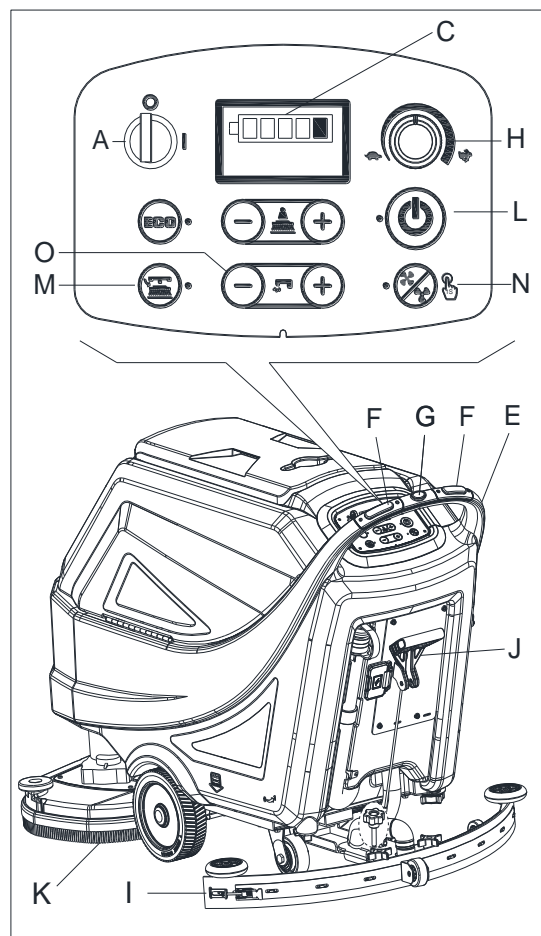
Per muovere la macchina in avanti, premere l'interruttore di sicurezza di destra o di sinistra (F, Figura 13) o entrambi.

Spegnimento della macchina

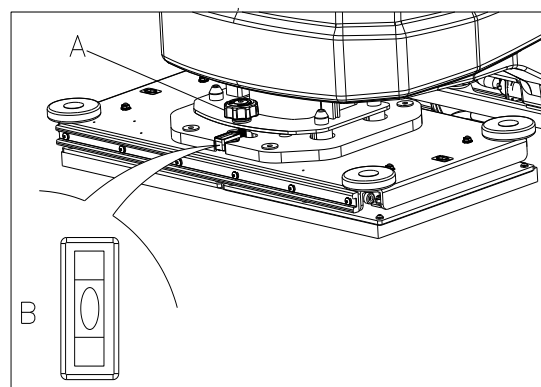
8. Arrestare la macchina rilasciando i pulsanti di sicurezza (F, Figura 13)
9. Le spazzole si arrestano. L'impianto di aspirazione si arresta in pochi secondi.
10. Sollevare la testata portaspazzole/portafiltro (K) premendo il pulsante di avviamento unico (L).
11. Sollevare il tergitoro (I) mediante l'impugnatura di sollevamento/abbassamento tergitoro (J).
12. Portare la chiave di accensione (A) su "0".
13. Assicurarsi che la macchina non possa muoversi da sola.

FUNZIONAMENTO DELLA MACCHINA (LAVAGGIO E ASCIUGATURA)

1. Avviare la macchina come indicato nei paragrafi precedenti.
2. Premendo l'interruttore di sicurezza (35, Figura 2), manovrare la macchina e avviare l'operazione di lavaggio/asciugatura del pavimento.
3. Se necessario, fermare la macchina quindi regolare il tergitoro come indicato nella sezione "Regolazione del bilanciamento del tergitoro".

**Figura 13****REGOLAZIONE DEL LIVELLO DELLA TESTATA ORBITALE (SOLO PER MACCHINA ORBITALE)**

1. Inserire la chiave di alimentazione (42) e ruotarla su "I".
Abbassare la testata portaspazzole/portafiltro (25) premendo il pulsante di avviamento unico (49)
2. Regolare il livello della testata orbitale mediante l'impugnatura (A, Figura 14) facendo in modo che la bolla si trovi al centro (B Figura 14).

**Figura 14**

**NOTA**

Per un corretto lavaggio/asciugatura dei pavimenti lungo le pareti, si consiglia di avvicinarsi alle pareti con il lato destro della macchina (A e B, Figura 15) come mostrato in figura.

**ATTENZIONE!**

Per non danneggiare la superficie del pavimento da trattare, evitare di mantenere azionate le spazzole/portafeltro con la macchina ferma.

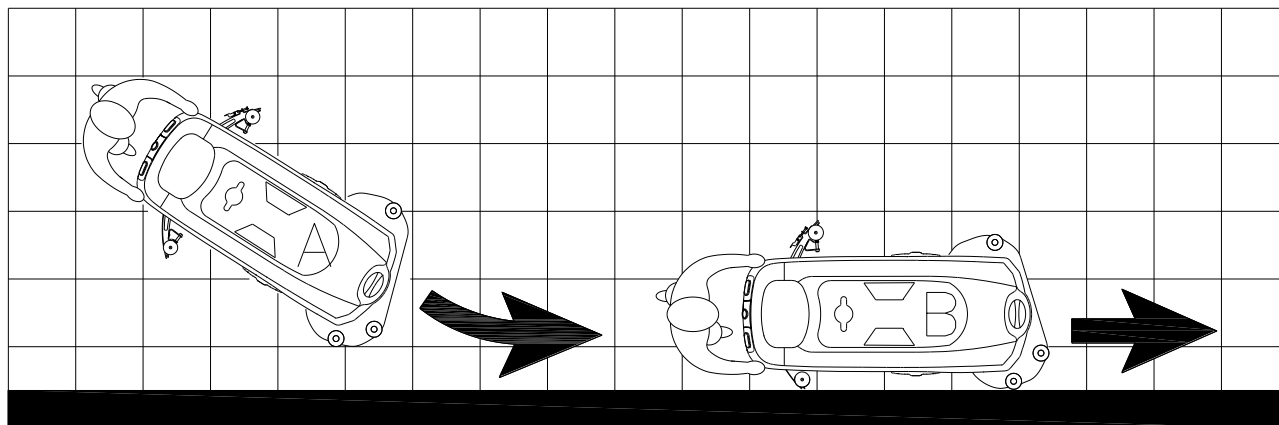


Figura 15

SVUOTAMENTO DEL SERBATOIO

Un sistema di spegnimento automatico a galleggiante (A, Figura 16) blocca il sistema di aspirazione quando il serbatoio acqua di recupero (B) è pieno. La disattivazione dell'impianto di aspirazione è segnalata da un aumento improvviso della frequenza del rumore del motore dell'impianto di aspirazione, inoltre il pavimento non è asciutto.

**ATTENZIONE!**

Nel caso in cui l'impianto di aspirazione si spenga per cause accidentali (ad esempio per l'intervento prematuro del galleggiante durante uno spostamento brusco della macchina), per ripristinarne il funzionamento, spegnerlo premendo l'interruttore (50, Figura 3), quindi aprire il coperchio (C, Figura 16) e accertarsi che il galleggiante presente all'interno della griglia (A) sia sceso fino al livello dell'acqua, quindi chiudere il coperchio (C) e riavviare l'impianto di aspirazione premendo l'interruttore (50, Figura 3).

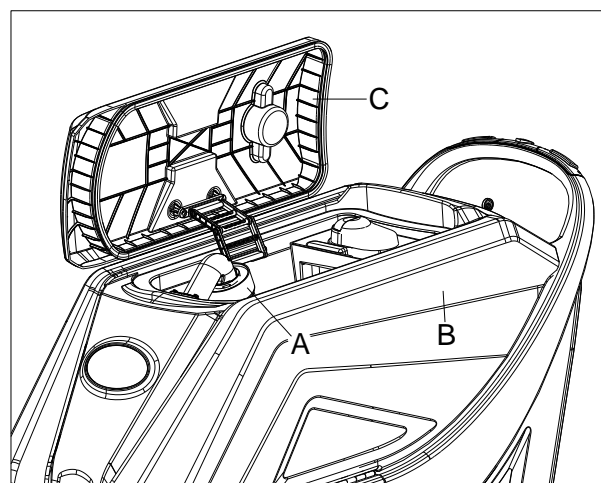


Figura 16

Quando il serbatoio acqua di recupero (B, Figura 16) è pieno, svuotarlo effettuando la seguente procedura.

Svuotamento del serbatoio acqua di recupero

1. Fermare la macchina.
2. Sollevare la testata portaspazzole/portafeltro (25, Figura 1) premendo il pulsante di avviamento unico (49, Figura 3) o riavviare la macchina dalla chiave di accensione (42, Figura 3).
3. Sollevare il tergicore (11, Figura 1) mediante l'impugnatura di sollevamento/abbassamento tergicore (39, Figura 2).
4. Portare la macchina nella zona di smaltimento designata.
5. Svuotare il serbatoio acqua di recupero con il tubo flessibile (A, Figura 17). Quindi, sciacquare il serbatoio (B, Figura 16) con acqua pulita.



ATTENZIONE!

Durante lo scarico dell'acqua di recupero, il tubo dell'aspirazione dello scarico deve essere piegato (A, Figura 17) e abbassato al punto più basso (B, Figura 17), quindi aprire il coperchio del tubo di aspirazione dello scarico per svuotare l'acqua. Non dirigere l'uscita del tubo di aspirazione di scarico verso l'alto per drenare l'acqua verticalmente. Tale accorgimento impedisce di riversare l'acqua sull'operatore.

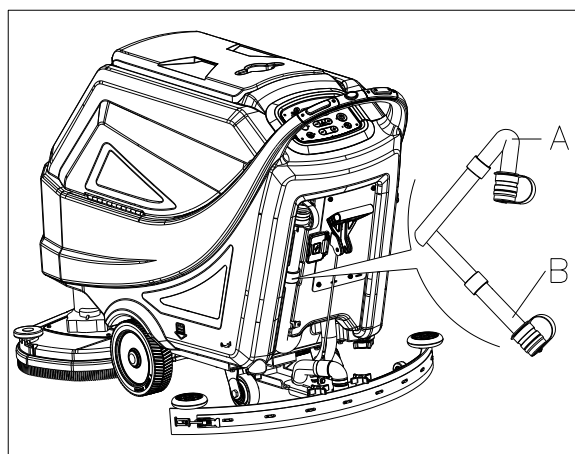


Figura 17

Svuotare il serbatoio della soluzione detergente/acqua pulita

1. Svuotare il serbatoio della soluzione detergente dal coperchio di uscita (A, Figura 18). A fine lavoro, sciacquare il serbatoio con acqua pulita.

DOPO L'USO DELLA MACCHINA

A fine lavoro, prima di riporre la macchina:

1. Rimuovere le spazzole/portafeltro premendo il pulsante di sgancio (44, Figura 3) e pulirle (solo per macchina con spazzole a disco).
2. Rimuovere il paraspruzzi come in (E, Figura 19) e pulirlo (solo per macchina con spazzole a disco).
3. Rimuovere il feltro e pulirlo (solo per macchina orbitale).
4. Svuotare i serbatoi (B e C, Figura 18) come indicato nel paragrafo precedente.
5. Eseguire le procedure di manutenzione quotidiana (vedere il capitolo Manutenzione).
6. Riporre la macchina in un luogo asciutto e pulito, con le spazzole/portafeltro e il tergicore sollevati o rimossi.

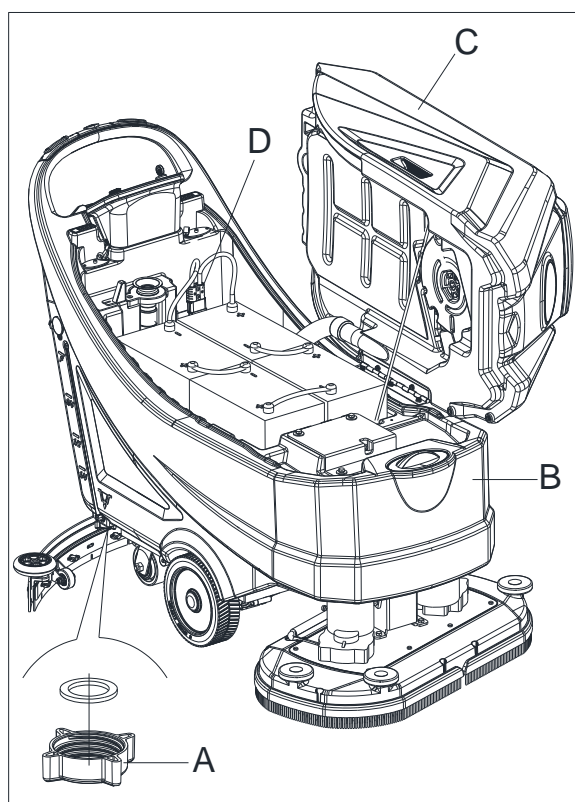


Figura 18

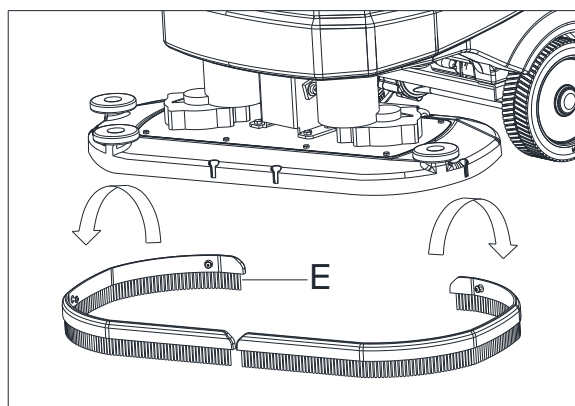


Figura 19

CONSERVAZIONE DELLA MACCHINA PER PERIODI PROLUNGATI DI INATTIVITÀ

Se la macchina non verrà usata per più di 30 giorni, procedere come segue:

1. Eseguire le procedure mostrate nel paragrafo "Dopo l'uso della macchina".
2. Scollegare il connettore della batteria (29, Figura 2).

PRIMO PERIODO D'USO

Dopo le prime 8 ore, verificare il fissaggio e la connessione delle parti della macchina per assicurarsi che siano salde e verificare che non ci siano visibili segni di usura o perdite.

MANUTENZIONE**AVVERTENZA!**

Le procedure di manutenzione devono essere eseguite dopo che la macchina è stata spenta e il cavo del caricabatterie è stato scollegato. Inoltre, leggere attentamente i capitoli sulla sicurezza del manuale.

Tutte le procedure di manutenzione straordinaria o programmata devono essere eseguite da personale qualificato o da un Centro di assistenza autorizzato. Il presente manuale descrive solo le procedure di manutenzione generica e ordinaria.

Per le altre procedure di manutenzione che non sono comprese nella sottostante tabella di manutenzione programmata, consultare il Manuale di assistenza consultabile presso uno qualsiasi dei nostri Centri di assistenza.

TABELLA DI MANUTENZIONE PROGRAMMATA**ATTENZIONE!**

La procedura contrassegnata con (1) deve essere eseguita trascorse 8 ore dal primo utilizzo. La procedura contrassegnata con (2) deve essere effettuata dal Centro di assistenza qualificato, autorizzato dalla nostra società.

Procedura	Quotidiana, dopo ogni uso	Settimanale	Semestrale	Annuale
Ricarica delle batterie				
Pulizia del tergitoro				
Pulizia di spazzola/portafeltro				
Pulizia del serbatoio				
Ispezione guarnizione del serbatoio				
Pulizia filtro del galleggiante				
Pulizia del feltro				
Pulizia del paraspruzzi (solo per macchina con spazzole a disco)				
Verifica e sostituzione delle gomme del tergitoro.				
Pulizia del filtro dell'acqua				
Pulizia del filtro di aspirazione				
Verifica livello del liquido batteria WET				
Ispezione del fissaggio di viti e bulloni			(1)	
Abbassamento isolatore (solo per macchina orbitale)			(2)	
Controllo o sostituzione carboncini del motore della spazzola				(2)
Controllo o sostituzione dei carboncini del motore aspirazione				(2)
Controllo o sostituzione carboncini del motore dell'impianto di trazione				(2)

IŽANGA**ATSARGIAI!**

Šiame greitojo paleidimo vadove pateikta tik nedidelė informacijos apie mašiną dalis.

GREITOJO PALEIDIMO VADOVĄ rasite kartu su mašina tiekiamame kompaktiniame diske, kurį perskaitysite naudodamiesi programa „Adobe® Reader®“.

**PASTABA**

Skliausteliuose nurodyti skaičiai atitinka mašinos aprašyme nurodytus elementus.

INSTRUKCIJOS PASKIRTIS IR TURINYS

Šiame greitojo paleidimo vadove teikiama pagrindinė mašinos naudojimo informacija. Daugiau informacijos apie technines charakteristikas, naudojimą, valdymą, saugojimą, atsargines dalis ir saugumą rasite kartu su mašina tiekiamame kompaktiniame diske, **GREITOJO PALEIDIMO VADOVE**.

Prieš pradėdami bet kokius darbus su mašina, būtinai perskaitykite visą greitojo paleidimo vadovą. Iškilus bet kokiems klausimams dėl šių instrukcijų, kreipkitės į mūsų darbuotojus.

KAIP SAUGOTI ŠIĄ GREITOJO PALEIDIMO INSTRUKCIJĄ

Greitojo paleidimo instrukciją laikykite netoli mašinos, apsauginiame įdėkle, apsaugotą nuo skysčių ir kitų ją pažeisti galinčių medžiagų.

ATITIKTIES DEKLARACIJA

Atitikties deklaracija patvirtina mašinos atitikimą galiojantiems ir jai taikomiems reikalavimams, ir yra tiekiamą kartu su mašina.

**PASTABA**

Atitikties deklaracijos kopijos tiekiamos kartu su kita mašinos dokumentacija.

PRIEDAI IR PRIEŽIŪRA

Visas būtinąsias naudojimo, priežiūros ir remonto procedūras turi vykdyti kvalifikuoti specialistai arba mūsų įmonės įgaliotasis remonto centras. Naudoti galima TIK originalias arba gamintojo patvirtintas atsargines dalis.

Jei jums reikia įsigyti kokių nors mašinos priedų arba atsarginių dalių, kreipkitės į mūsų klientų aptarnavimo skyrių.

PAKEITIMAI IR PATOBULINIMAI

Mes nepaliaujamai tobuliname savo gaminius, todėl pasilikame teisę keisti ir gerinti mašiną be išankstinio įspėjimo.

TAIKYMO SRITIS

Ši šveitimo mašina skirta komerciniam ir pramoniniam naudojimui. Šią mašiną galima naudoti ant lygių ir kietų grindų; ją valdyti gali tik kvalifikuotas operatorius, kuris privalo laikytis saugos nurodymų. Mašinos negalima naudoti lauko sąlygomis, ant kilimų ar šiurkščių grindų paviršių.

MAŠINOS IDENTIFIKAVIMAS

Mašinos serijos numeris ir modelio pavadinimas nurodyti mašinos vardinėje etiketėje.

Ši informacija naudinga. Kreipdamiesi dėl atsarginių dalių pasinaudokite toliau pateikta lentele, kurioje nurodykite mašinos identifikavimo duomenis.

MAŠINOS MODELIS.....
MAŠINOS SERIJOS NUMERIS.....

TRANSPORTAVIMAS IR IŠPAKAVIMAS

Transporto kompanijai atvežus mašiną patikrinkite jos pakuotę ir pačią mašiną, dėl komplektacijos ir galimų pažeidimų. Pastebėję bet kokius pažeidimus informuokite apie tai vežėją ir įforminkite šį faktą, kad turėtumėte teisę į kompensaciją.

Išpakuodami mašiną griežtai laikykitės ant jos pakuotės pateiktų nurodymų.

Patikrinkite pakuotę ir įsitikinkite, kad gavote visus toliau įvardytus mašinos elementus:

1. Techninė dokumentacija greitojo paleidimo vadovas
2. Dalių sąrašas (*).
3. Akumulatoriaus pajungimas.
4. Elektroninio akumulatoriaus įkroviklio (jei įdiegtas) instrukcija (*)

SAUGA

Toliau nurodyti simboliai įspėja apie potencialiai pavojingas situacijas. Įdėmiai perskaitykite šią informaciją ir imkitės visų būtinų žmonių ir turto apsaugos priemonių.

MATOMI MAŠINOS SIMBOLIAI**ĮSPĖJIMAS!**

Prieš imdamiesi bet kokių veiksmų, įdėmiai perskaitykite visą šios mašinos naudojimo instrukciją.

**ĮSPĖJIMAS!**

Neplaukite mašinos tiesiogine ir (arba) didelio spaudimo vandens srove.

**ĮSPĖJIMAS!**

Nenaudokite mašinos nuolydžiuose, statiesniuose nei specifikacijoje nurodytas didžiausias leistinas nuolydis.

GREITOJO PALEIDIMO VADOVE NURODYTI SIMBOLIAI**PAVOJUS!**

Šis simbolis įspėja dėl atitinkamoje situacijoje operatoriui grėšiančio mirtino pavojaus.

**ĮSPĖJIMAS!**

Šis simbolis įspėja dėl atitinkamoje situacijoje žmonėms grėšiančio pavojaus.

**ATSARGIAI!**

Šis simbolis įspėja apie galimą pavojų ir apie susijusias svarbias arba naudingas funkcijas. Atkreipkite dėmesį į šiuo simboliu pažymėtus skyrius.

**PASTABA**

Šis simbolis nurodo susijusią svarbią arba naudingą informaciją.

**KONSULTACIJA**

Šis simbolis nurodo būtinybę, prieš imantis tolesnių veiksmų, perskaityti greitojo paleidimo vadove pateiktus atitinkamus nurodymus.

BENDRIEJI SAUGOS NURODYMAI

Toliau nurodyti specialieji išpėjimai informuojantys apie potencialius pavojus žmonėms ir mašinai.



PAVOJUS!

- Šią mašiną, vadovaudamiesi naudojimo instrukcija, gali naudoti tik išmokyti ir įgalioti darbuotojai.
- Prieš pradėdami vykdyti bet kokius valymo, priežiūros, remonto ar dalių keitimo darbus, įdėmiai perskaitykite visą šios mašinos naudojimo instrukciją ir nepamirškite IŠJUNGTI mašiną ir atjungti akumuliatorių.
- Nenaudokite mašinos šalia toksinių, pavojingų, degių ir (arba) sprogių medžiagų (miltelių, skysčių, garų ir kt.). Ši mašina nėra tinkama pavojingoms medžiagoms (milteliams) surinkti.
- Prieš dirbdami šalia elektrinių sistemų elementų, nusiimkite bet kokius metalinius papuošalus.
- Nedirbkite po pakelta ir saugiai stovais neparemta mašina.
- Įprastai švininiai (WET) akumuliatoriai gali išskirti lengvai užsidegančias dujas, todėl būtina pasirūpinti, kad šalia akumuliatorių nebūtų kibirkščių, liepsnos, degimo šaltinių ar intensyviai spinduliuojančių, šviečiančių ar degančių objektų.
- Įkraunant švininius (WET) akumuliatorius, gali išsiskirti sprogios vandenilio dujos. Būtina pasirūpinti, kad įkrovimo vieta būtų gerai vėdinama ir apsaugota nuo degimo šaltinių.



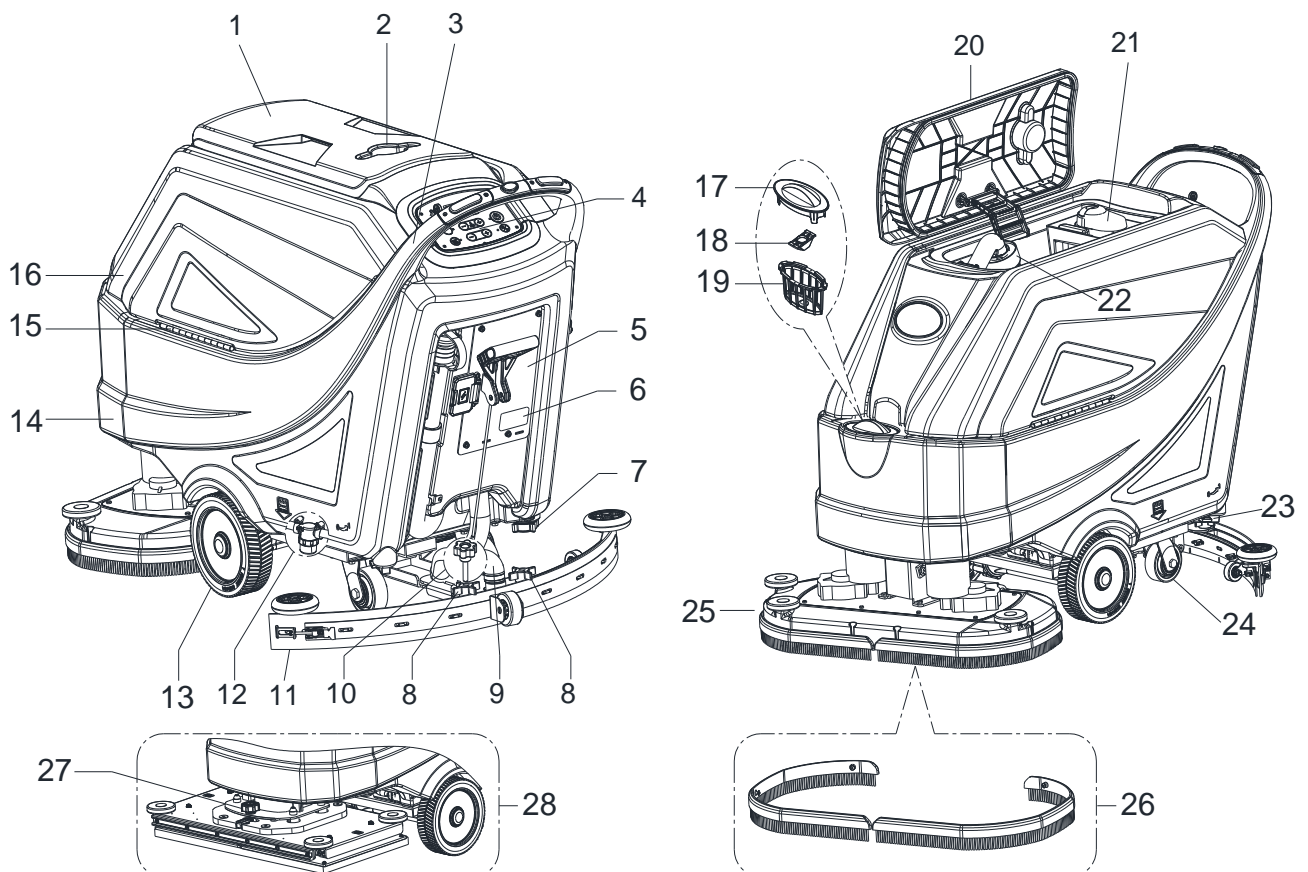
IŠPĖJIMAS!

- Ši mašina yra KOMERCINĖS PASKIRTIES ir gali būti naudojama viešbučiuose, mokyklose, ligoninėse, gamyklose, parduotuvėse, biuruose ir kitose patalpose.
- Be priežiūros palikta mašina turi būti apsaugota nuo atsitiktinio judėjimo.
- Norint apsaugoti mašiną nuo nelegalaus jos naudojimo, būtina išjungti arba užblokuoti elektros maitinimo šaltinį – pavyzdžiui, ištraukti pagrindinio jungiklio arba užvedimo raktelį.
- Kiekvieną kartą prieš naudodami mašiną kruopščiai ją patikrinkite. Prieš naudodamiesi mašina patikrinkite, ar visi mašinos elementai tinkamai sumontuoti. Atsilaisvinę mašinos elementai gali kelti pavojų žmonėms ir aplinkiniam turtui.
- Prieš naudodamiesi akumuliatoriaus įkrovikliu patikrinkite, ar elektros maitinimo parametrai atitinka mašinos vardinėje etiketėje nurodytus dažnį ir įtampą.
- Niekada netraukite mašinos paėmę už akumuliatoriaus įkroviklio laido. Pasirūpinkite, kad mašinos laidas neeitu per uždaramą durų ar lango angą ir nesiliestų prie aštrių briaunų ar kampų. Pasirūpinkite, kad mašina nepervažiutumėte per akumuliatoriaus įkroviklio laidą. Saugokite akumuliatoriaus įkroviklio laidą nuo šilumos šaltinių. Nebandykite įkrauti akumuliatoriaus, jei pažeistas jo laidas arba kištukas.
- Prieš palikdami mašiną be priežiūros, būtinai ją išjunkite, taip sumažinsite gaisro, elektros smūgio ir sužeidimų pavojų.
- Mašiną naudokite ir laikykite tik sausose patalpose. Mašiną naudoti lauko sąlygomis draudžiama.
- Mašinos sandėliavimo ir darbinės temperatūros diapazonas – nuo 0 °C iki +40 °C, oro drėgmė turi būti nuo 30 % iki 95 %.
- Nenaudokite mašinos nuolydžiuose, statesniuose nei specifikacijoje parodytas didžiausias leistinas nuolydis.
- Naudodami ir tvarkydami grindų valymo priemones laikykitės priemonių etiketėse pateiktų nurodymų ir naudokite atitinkamas apsaugines pirštines ir kitas priemones.
- Naudokite kartu su mašina tiekiamus arba instrukcijoje nurodytus šepetčius ir šveitimo padus. Naudodami kitus šepetčius arba šveitimo padus galite sukelti pavojų.
- Mašinos gedimo atveju patikrinkite, ar tinkamai atlikti mašinos priežiūros darbai. Jei reikia, pagalbos kreipkitės į įgaliotąjį atstovą arba remonto centrą.
- Imkitės visų būtinų prevencinių priemonių, kad judančios mašinos dalys neįtrauktų jūsų ar kito asmens plaukų, papuošalų ir laisvų drabužių dalių.
- Labai dulkečioje aplinkoje mašinos nenaudokite.

- Neplaukite mašinos tiesiogine ir (arba) didelio spaudimo vandens srove ir (arba) koroziją sukeliančiomis priemonėmis.
- Būkite atsargūs ir su mašina neatsitrenkite į lentynas, pastolius ar kitus objektus, nuo kurių gali nukristi kokie nors objektai.
- Nestatykite ant mašinos jokių indų su skysčiais, naudokite specialiai tam skirtą laikiklį.
- Tam, kad nesugadintumėte grindų paviršiaus, pasirūpinkite, kad mašinai stovint vietoje šepėčiai ir (arba) šveitimo padai būtų išjungti.
- Gaisro atveju gesinimui naudokite sausų miltelių gesintuvą. Nenaudokite skysčiais užpildytų gesintuvų.
- Nebandykite nuimti ar pakeisti prie mašinos pritvirtintų etikečių.
- Nekeiskite mašinos saugos aptvarų ir tiksliai laikykitės vadove nurodytų priežiūros darbų procedūrų.
- Jei mašiną planuojate transportuoti žemos temperatūros aplinkoje, atkreipkite dėmesį į toliau pateiktas pastabas. Vanduo gražinimo rezervuare ir žarnose gali užšalti ir rimtai pažeisti mašiną.
- Jei reikėtų pakeisti kokias nors mašinos dalis, atsargines ORIGINALIAS dalis užsisakykite iš įgaliotojo atstovo arba prekybininko.
- Jei mašina pradėtų veikti neįprastai, sugestų, būtų palikta lauke ar įkristų į vandenį, perduokite ją mūsų remonto centro darbuotojams.
- Jei norite užtikrinti tinkamą ir saugų mašinos naudojimą, pasirūpinkite, kad įgaliotas darbuotojas arba remonto centras laiku vykdytų šioje instrukcijoje numatytus techninės priežiūros darbus.
- Nebenaudojamą mašiną būtina priduoti specialiam atliekų surinkimo centre, nes mašinoje yra toksinių ir kenksmingų medžiagų (akumulatorius ir kt.). Žr. skyrių „Mašinos utilizavimas“.
- Šią mašiną naudokite tik pagal numatytąją paskirtį – kaip grindų valymo priemonę.
- Pasirūpinkite, kad mašinos angos visuomet būtų švarios nuo dulkių, plaukų ar kitų objektų, galinčių trikdyti oro srautą. Jei nors viena mašinos anga yra užsikimšusi, mašinos nenaudokite.
- Mašiną naudokite tik gerai apšviestoje vietoje.
- Šią mašiną draudžiama naudoti vaikams ir asmenims neturintiems pakankamai darbo su tokia įranga patirties, ar turintiems fizinių, jutiminių ar protinių sutrikimų.
- Jei mašina naudojama šalia vaikų, būtina elgtis ypač atsargiai.
- Netoli mašinos esančius vaikus privalo prižiūrėti suaugusieji, kurie turi pasirūpinti, kad vaikai niekada nežaistų su mašina.
- Naudodami šią mašiną būkite atsargūs, nesužeiskite žmonių ir nepadarykite žalos aplinkiniams objektams.
- Valymo ir priežiūros darbus vaikams, be suaugusiųjų priežiūros, vykdyti draudžiama.

MAŠINOS APRAŠYMAS
MAŠINOS KONSTRUKCIJA (žr. 1 pav.)

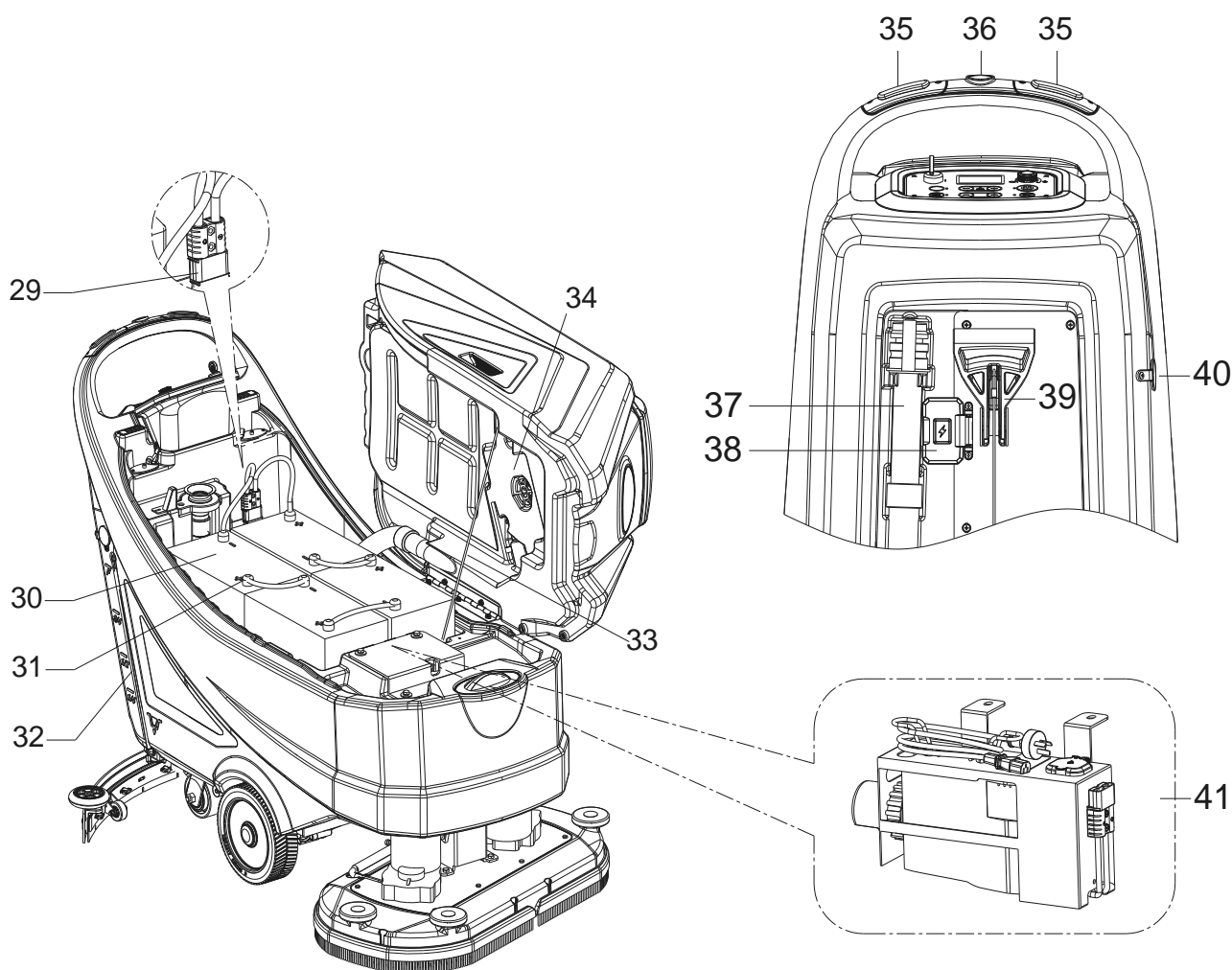
- | | |
|---|--|
| 1. Gražinimo rezervuaro dangtis | 15. Lankstas |
| 2. Butelių laikiklis | 16. Gražinimo rezervuaras |
| 3. Rankena | 17. Filtro dangtis |
| 4. Valdymo pultas | 18. Užpildymo žarnos laikiklis |
| 5. Valdymo dėžė | 19. Filtro atrama |
| 6. Vardinė etiketė su serijiniu numeriu ir techniniais duomenimis | 20. Rezervuaro dangčio tarpinė |
| 7. Lizdo dangtis | 21. Purvo surinkimo dėžutė |
| 8. Valytuvo rankenėlės | 22. Plūdės filtras |
| 9. Valytuvo siurblio žarna | 23. Tirpalo / švaraus vandens kranas |
| 10. Valytuvo balanso reguliavimo rankenėlė | 24. Galiniai krypties valdymo ratai |
| 11. Valytuvai | 25. Šepečių sistema (tinka tik diskinėms mašinoms) |
| 12. Tirpalo filtras | 26. Apsauga nuo pusrū |
| 13. Varantieji ratai | 27. Sukamosios galvos reguliavimo rankenėlė |
| 14. Tirpalo rezervuaras | 28. Sukamosios galvos sistema (tik sukamosioms mašinoms) |



1 pav.

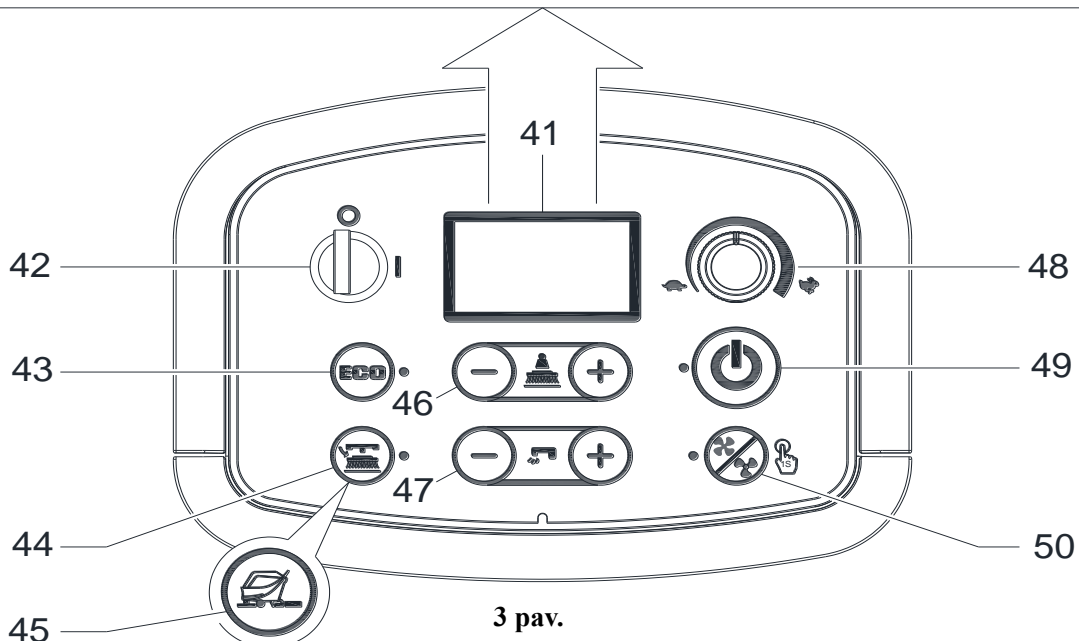
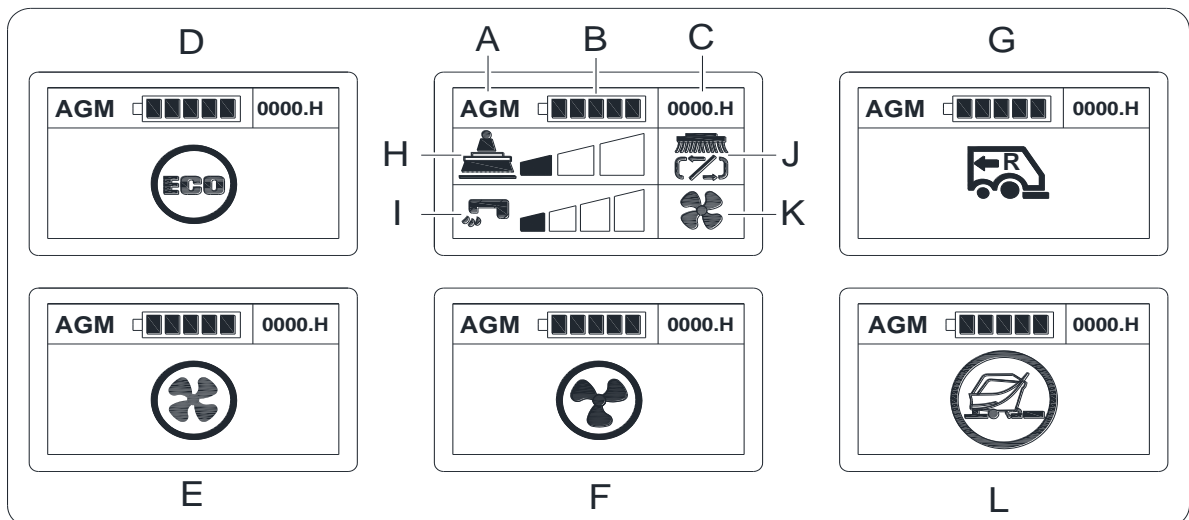
MAŠINOS KONSTRUKCIJA (žr. 2 pav.)

- 29. Akumuliatoriaus jungtis (raudona)
 - 30. Akumuliatoriai (*)
 - 31. Akumuliatorių dangteliai
 - 32. Vandens lygio indikacijos vamzdelis
 - 33. Apsauginis rezervuaro laidas
 - 34. Siurbimo sistema
 - 35. Apsauginis jungiklis
 - 36. Mašinos rezervo jungiklis
 - 37. Gražinamo vandens išpylimo žarna
 - 38. Apsauginis įkrovimo kištuko dangtelis
 - 39. Valytuvo pakėlimo-nuleidimo rankenėlė
 - 40. Tirpalo rezervuaro šoninio užpildymo dangtelis
 - 41. Integruotasis įkroviklis (*)
- (*): Atskirai užsakomas priedas

**2 pav.**

VALDYMO PULTAS (žr. 3 pav.)

41. Daugiafunkcinis ekranas
Rodomi elementai:
A) Akumuliatoriaus tipas
B) Akumuliatoriaus įkrovos lygis
C) Darbo valandos
D) ECO režimas
E) Įprastas siurbimo režimas
F) Tylusis siurbimo režimas
G) Reversinis režimas
H) Padidintas slėgis
I) Valymo tirpalo srautas
J) Šepečio naudojimo režimas
K) Siurbimo režimas
L) Grindų paruošimo režimas
42. Užvedimo raktelis (0 - I)
43. ECO režimo mygtukas
- Įjungtos funkcijos LED indikatorius
 - minimalus vandens srautas (1 lygis)
 - minimalus slėgis (1 lygis)
 - Pasirinktas tylusis siurbimo režimas
44. Šepečio / šveitimo pado atleidimo mygtukas (tik diskinėms mašinoms)
- Mirksintis LED indikatorius – įjungta atleidimo sistema
45. Grindų paruošimo mygtukas (tik sukamosioms mašinoms)
- Važiavimo greičio nustatymas – 1 km/val.
 - Įjungtos funkcijos LED indikatorius
 - minimalus vandens srautas (1 lygis)
 - maksimalus slėgis (3 lygis)
 - Įprastas siurbimo režimas
46. Šepečio spaudimą reguliuojantis mygtukas
47. Tirpalo srautą reguliuojantis mygtukas
48. Greičio reguliatorius
49. Paleidimas vienu mygtuku
- Įjungtos funkcijos LED indikatorius
 - minimalus vandens kiekis (1 lygis)
 - minimalus slėgis (1 lygis)
 - įprasta siurbimo sistema
50. Siurbimo sistemos reguliavimo mygtukas (palaikykite nuspaudę 1 sekundę, kad įjungtumėte)
- Šviečiantis LED indikatorius – įprastas režimas
 - Mirksintis LED indikatorius – tylusis režimas



3 pav.

TECHNINIAI PARAMETRAI

Parametro tipas	Mat. vnt.	Modelis		
		AS6690T	AS7690T	AS7190TO
Tirpalo rezervuaro talpa	Litrai / gal.	85 l / 22 gal.		
Gražinimo rezervuaro talpa	Litrai / gal.	90 l / 24 gal.		
Mašinos ilgis	mm / col.	1490 mm / 59 col.	1550 mm / 61 col.	1490 mm / 59 col.
Mašinos plotis su valytuvu	mm / col.	830 mm / 33 col.	950 mm / 38 col.	
Mašinos plotis be valytuvo	mm / col.	730 mm / 29 col.	830 mm / 33 col.	750 mm / 30 col.
Mašinos aukštis	mm / col.	1020 mm / 40,2 col.		
Darbinis plotis	mm / col.	660 mm / 26 col.	760 mm / 30 col.	710 mm / 28 col.
Varančiojo rato skersmuo	mm / col.	230 mm / 9 col.		
Grindis veikiantis varančiojo rato spaudimas	N/mm ²	0,67 N/mm ²		
Galinio rato skersmuo	mm / col.	101 mm / 4 col.		
Grindis veikiantis galinio rato spaudimas	N/mm ²	0,82 N/mm ²		
Šepečio / šveitimo pado skersmuo	mm / col.	330 mm x 2 / 13 col. x 2	380 mm x 2 / 15 col. x 2	355 x 710 mm / 14 x 28 col.
Šepečio / šveitimo pado slėgis (maks.)	kg / lbs.	32 kg / 71 lbs. 41 kg / 90 lbs. 49 kg / 108 lbs.	35 kg / 77 lbs. 43 kg / 95 lbs. 51 kg / 112 lbs.	42 kg / 93 lbs. 54 kg / 120 lbs. 65 kg / 143 lbs.
Nustatymą atitinkantis tirpalo srautas (maks.)	l/min / gal./min.	(0,9 / 1,5 / 2,2 / 3) litrai (0,24 / 0,39 / 0,58 / 0,79) gal.		(0,6 / 1,1 / 1,9 / 2,5) litrai (0,16 / 0,29 / 0,5 / 0,66) gal.
Triukšmo lygis	dB (A)	69 ± 3 dB (A)		
Triukšmo lygis naudojant ECO arba tylųjį siurbimo režimą	dB (A)	65 ± 3 dB (A)		
Rankenos virpėjimo lygis (maks.)	m/s ²	< 2,5 m/s ²		
Įveikiamas pakilimas (maks.)	% pokytis	2%		
Min. apsisukimo skersmuo	cm / col.	155 cm / 61 col.	165 cm / 65 col.	160 cm / 63 col.
Varančiojo variklio galia	W / AG	250 W / 0,33 AG		350 W / 0,47 AG
Darbinis greitis	km / mph	0–4,0 km / 0–2,5 mph		0–3, 2 km / 0–2,0 mph
Važiavimo į priekį greitis	km / mph	0–4,0 km / 0–2,5 mph		
Važiavimo atbulai greitis	km / mph	0–2,0 km / 0–1,25 mph		
Siurblio variklio galia	W / AG	500 W / 0,66 AG		
Siurbimo galia	mm / col. H ₂ O	1500 mm / 60 col. H ₂ O		
Siurbimo galia naudojant ECO arba tylųjį siurbimo režimą	mm / col. H ₂ O	900 mm / 35 col. H ₂ O		
Šepečio variklio galia	W / AG	500 x 2 W / 0,66 x 2 AG		750 W / 1,0 AG
Šepečio greitis pasirinkus įprastą režimą	aps./min.	200 aps./min.		2200 aps./min.
Šepečio greitis pasirinkus ECO režimą	aps./min.	160 aps./min.		1600 aps./min.
IP apsaugos klasė	IP	IP24		
Akumulatoriaus skyriaus dydis su neintegruotu įkrovikliu (ilgis x plotis x aukštis)	mm / col.	(620 x 385 x 390) mm / 24,4 x 15,1 x 15,3 col.		
Akumulatoriaus skyriaus dydis su integruotu įkrovikliu (ilgis x plotis x aukštis) (*)	mm / col.	(535 x 385 x 390) mm / 21 x 15,1 x 15,3 col.		
Įtampa	DC	24 V		
Akumulatoriai (*)	Ah	N/A		
Akumulatoriaus veikimo laikas (standartiniai akumulatoriai) (*)	Val.	Iki 4 val.		
Integruotasis įkroviklis (*)	V, A	24 V, 25 A		
Našumas (maks.)	m ² /val.	2640 m ² /val.	3040 m ² /val.	2272 m ² /val.
Mašinos svoris su tuščiais rezervuarais (be akumuliatorių)	kg / lbs.	135 kg / 298 lbs.	138 kg / 304 lbs.	148 kg / 326 lbs.
Bendrasis mašinos svoris (GVW)	kg / lbs.	347 kg / 765 lbs.	350 kg / 772 lbs.	360 kg / 794 lbs.
Transportavimo svoris	kg / lbs.	202 kg / 444 lbs.	205 kg / 451 lbs.	215 kg / 473 lbs.
Pakuotės matmenys (ilgis x plotis x aukštis)	mm / col.	(1620 x 810 x 1200 mm) / (64 x 32 x 48 col.)	(1660 x 910 x 1200 mm) / (66 x 36 x 48 col.)	

(*) Atskirai užsakomas priedas

NAUDOJIMO VADOVAS

**ĮSPĖJIMAS!**

Kai kuriose mašinos vietose rasite pritvirtintus įspėjamuosius lipdukus:

- PAVOJUS!
- ĮSPĖJIMAS!
- ATSARGIAI!
- KONSULTACIJA

Skaitydami šią naudojimo instrukciją ypatingą dėmesį atkreipkite į įspėjamuosius lipdukus. Neuždenkite šių lipdukų jokiais aplinkybėmis, o pažeistus nedelsiant pakeiskite naujais.

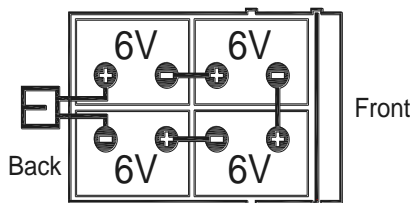
AKUMULIATORIAUS TIKRINIMAS / PAJUNGIMAS NAUJOJE MAŠINOJE

**ĮSPĖJIMAS!**

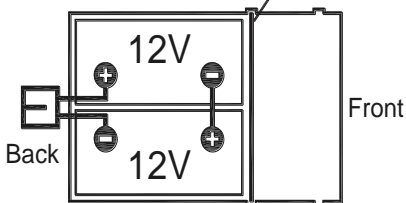
Netinkamai pajungus arba sumontavus akumuliatorius elektrinius mašinos elementus galima pažeisti. Akumuliatorius montuoti ir pajungti turi kvalifikuotas darbuotojas. Nustatykite funkcinę elektroninę plokštę ir integruotą akumuliatoriaus įkroviklį priklausomai nuo sumontuotų akumuliatorių tipo (WET arba GEL/AGM). Prieš montuodami patikrinkite, ar akumuliatoriai nepažeisti. Atjunkite akumuliatoriaus jungtį ir akumuliatoriaus įkroviklio kištuką. Su akumuliatoriais elkitės labai atsargiai. Uždėkite kartu su mašina tiekiamą apsauginį akumuliatorių dangtelį.

Jei mašinoje akumuliatoriai jau sumontuoti

1. Pasirūpinkite, kad tinkamai pajungtas akumuliatoriaus kištukas (2 pav., 29).
2. Pirmą kartą naudodami mašiną su akumuliatoriais, pilnai įkraukite akumuliatorius (pilno įkrovimo ciklo procedūra aprašyta skyriuje „Priežiūra“).



Battery fixed plate

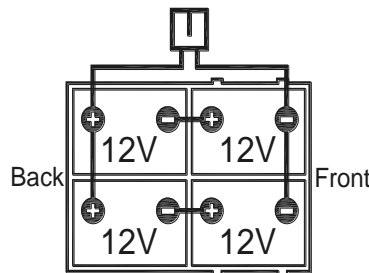


4 pav.

**PASTABA**

Remiantis pajungimo schema (žr. 4 pav.) prie mašinos reikia prijungti du 12 V akumuliatorius arba keturis 6 V akumuliatorius.

Tinkamai pritvirtinkite akumuliatoriaus lipduką (žr. pav. 4).

**Jei mašinoje akumuliatoriai nesumontuoti**

1. Įsigykite tinkamus akumuliatorius (žr. skyrių „Techniniai duomenys“). Dėl informacijos apie akumuliatorių tipus ir montavimą, kreipkitės į akumuliatorių pardavėjus.
2. Atlikite mašinos nustatymus atitinkančius sumontuotų akumuliatorių tipą, žr. skyrių „Priežiūra“, poskyrį „Specialusis naudotojo raktas“.

AKUMULIATORIŲ MONTAVIMAS IR TIPO NUSTATYMAS (WET OR GEL/AGM OR DIS OR ENES)

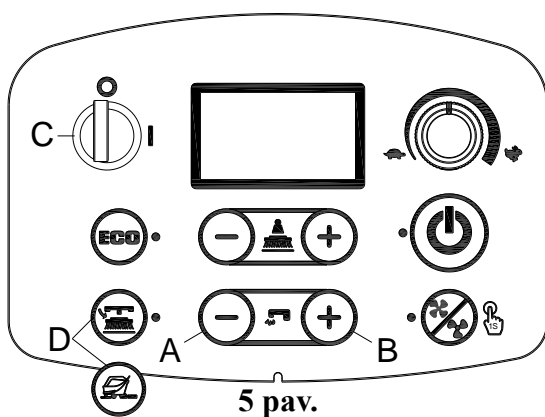
Akumuliatorių montavimas

1. Atidarykite grąžinimo rezervuaro dangtį (1 pav., 1) ir patikrinkite, ar grąžinimo rezervuaras (16) tuščias; jei rezervuaras nėra tuščias, ištuštinkite jį naudodami išleidimo žarną. (37, pav. 2)
2. Uždarykite grąžinimo rezervuaro dangtį (1 pav., 1).
3. Atsargiai pakelkite grąžinimo rezervuarą (1 pav., 16).
4. Mašinoje yra galimybė pajungti du 12 V arba keturis 6 V akumuliatorius. Atsargiai įdėkite akumuliatorius į skyrelį ir tinkamai sujunkite. Tinkamai pritvirtinkite akumuliatoriaus lipduką (žr. pav. 4).
5. Praveskite ir sujunkite akumuliatoriaus laidą (žr. 4 pav.), tada atsargiai priveržkite kiekvieno kontakto veržlę.
6. Ant kiekvieno kontakto uždėkite apsauginį dangtelį ir pajunkite akumuliatoriaus jungtį (29, pav. 2).
7. Atsargiai nuleiskite grąžinimo rezervuarą (16, pav. 1).

Akumuliatoriaus tipo nustatymas (WET OR GEL/AGM OR DIS OR ENES)

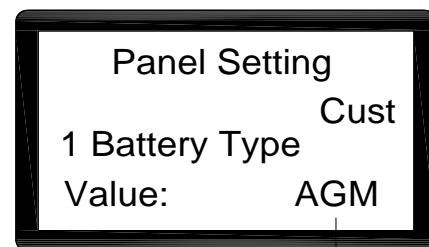
Akumuliatoriaus režimo pasirinkimas

Priklausomai nuo akumuliatorių tipo (WET arba GEL/AGM), atlikite šiuos mašinos nustatymus:



5 pav.

Access to select battery mode



6 pav.

1. Vienu metu paspauskite vandens srauto mygtukus „+“ ir „-“ (5 pav., A ir B).
2. Įkiškite užvedimo raktelį (5 pav., C) ir pasukite į padėtį „I“.
3. Po kelių sekundžių ekrane pasirinkite akumuliatoriaus režimą (pav. 6)
4. Paspauskite vandens srauto mygtukus „-“ arba „+“ (5 pav., A arba B), kad pasirinktumėte akumuliatoriaus režimą (H, pav. 6)
5. Paspauskite disko versijos atlaisvinimo mygtuką arba orbitinės versijos grindų paruošimo mygtuką (D, pav.5). Jei po 3 sekundžių ekrane pasirodys užrašas „Update OK“ (atnaujinti pavyko), vadinasi režimą pasirinkti pavyko. Dabar galite iš naujo įjungti mašiną. (5 pav., C)

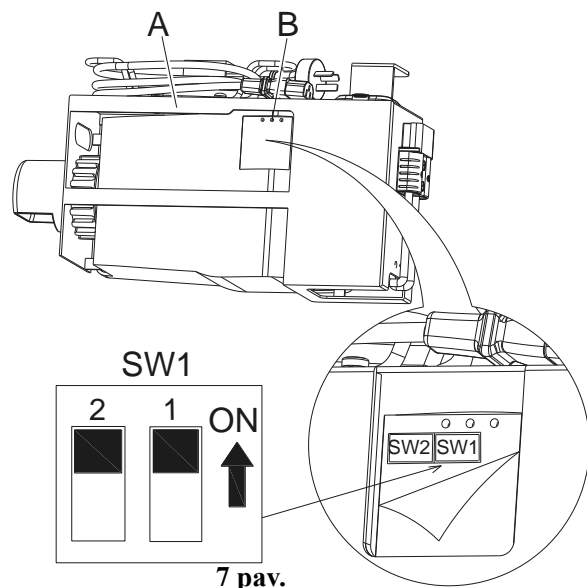
Akumuliatoriaus įkroviklio nustatymas (tik jei mašinoje integruotas akumuliatoriaus įkroviklis)



ĮSPĖJIMAS!

Įkroviklio nustatymus gali vykdyti tik kvalifikuotas specialistas

1. Išjunkite mašiną ir išmontuokite mašinoje integruotą akumuliatoriaus įkroviklį (7 pav., A). Nulupkite ant įkroviklio dangtelio užklijuotą lipduką (7 pav., B), po kuriuos rasite du jungiklių rinkinius (SW1 ir SW2).
2. Įkrovos parametrų kreivei, nurodytai toliau pateiktoje lentelėje, įtakos turi tik SW1 jungikliai (esantys kairėje pusėje).



7 pav.

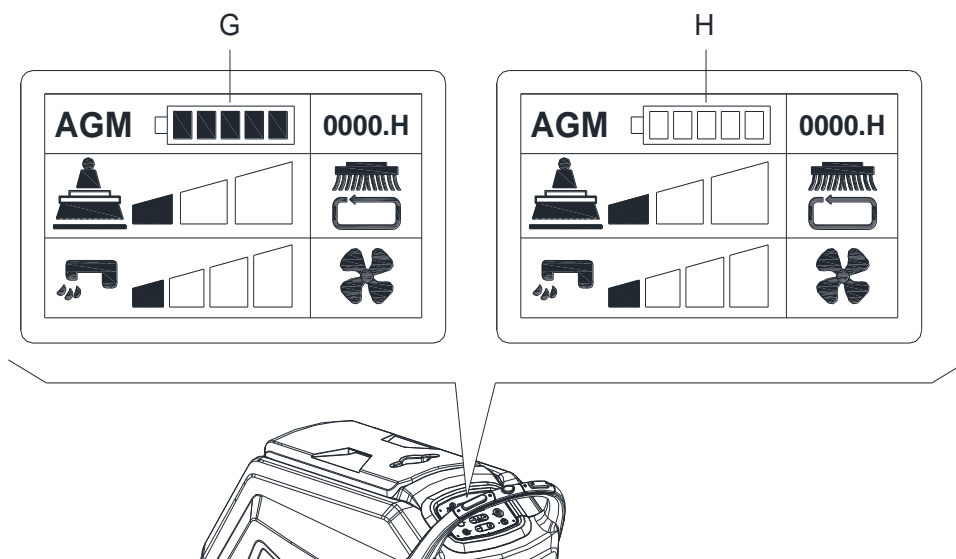
DP1	DP2	ĮKROVOS PARAMETRŲ KREIVĖ
IJ.	IŠJ.	IUIa-ACD skirtas švino-rūgšties (WET) akumuliatoriams
IŠJ.	IŠJ.	IUIa-GEL skirtas gelio tipo „Exide-Sonnenschein“ akumuliatoriams
IŠJ.	IJ.	IUU0-GEL skirtas gelio tipo „HAZE“ akumuliatoriams ir kitų gamintojų AGM akumuliatoriams
IJ.	IJ.	IUIUa-AGM skirtas „Discover“ AGM akumuliatoriams

Akumuliatoriaus įkrovimas

Pilnai įkraukite akumuliatorius (procedūra aprašyta skyriuje „Priežiūra“).

Akumuliatoriaus išsikrovimas

Su įkrautais akumuliatoriais (žr. 8 pav., G) mašinoje įprastai veikia visos jos funkcijos. Akumuliatoriams išsikrovus (žr. 8 pav., H), juos būtina įkrauti. Akumuliatoriams pasiekus žemą įkrovimo lygį, po kelių sekundžių automatiškai išjungiami šepčio / šveitimo pado funkcija, tačiau važiavimo funkcija lieka aktyvi. Tokiu atveju nedelsiant nuvežkite mašiną iki artimiausios įkrovimo stotelės.



8 pav.



ATSARGIAI!

Akumuliatoriams išsikrovus įkraukite juos nedelsdami, nes išsikrovimo būsenoje trumpėja akumuliatorių naudojimo trukmė. Akumuliatorių įkrovimo lygį tikrinkite bent vieną kartą per savaitę.

ŠEPEČIO / ŠVEITIMO PADO LAIKIKLIO MONTAVIMAS IR NUĖMIMAS (tik diskiniams mašinoms)**PASTABA**

Priklausomai nuo grindų, kurias reikia išvalyti, sumontuokite šepetį (9 pav., A) arba šveitimo pado laikiklį (9 pav., B ir C).

**ATSARGIAI!**

Prieš montuodami ar išimdami šepetį arba šveitimo pado laikiklį pasirūpinkite, kad visi mašinos jungikliai būtų išjungti, o valtyvas pakeltas nuo grindų. Operatorius privalo turėti ir naudoti pavojų susižaloti mažinančias asmeninės apsaugos priemones, pvz., apsaugines pirštines.

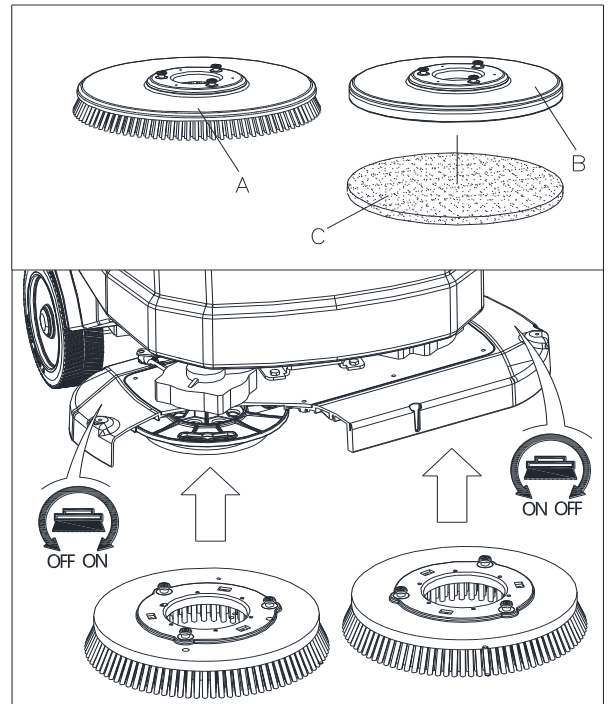
Atlikite šiuos veiksmus:

MONTAVIMAS:

1. Įkiškite užvedimo raktelį (3 pav., 42) ir pasukite jį į padėtį „I“. Pakelkite platformą. Išjunkite mašiną ištraukdami užvedimo raktelį (42).
2. Pasukite greičio reguliatorių (48) prieš laikrodžio rodyklės kryptį, iki nulinio greičio.
3. Po platforma sumontuokite šepetį (9 pav., A) arba šveitimo pado laikiklį (B).
4. Šepetį arba šveitimo pado laikiklį prisukite rankomis, sukdami prieš laikrodžio rodyklės kryptį. (žr. 9 pav.).

NUĖMIMAS:

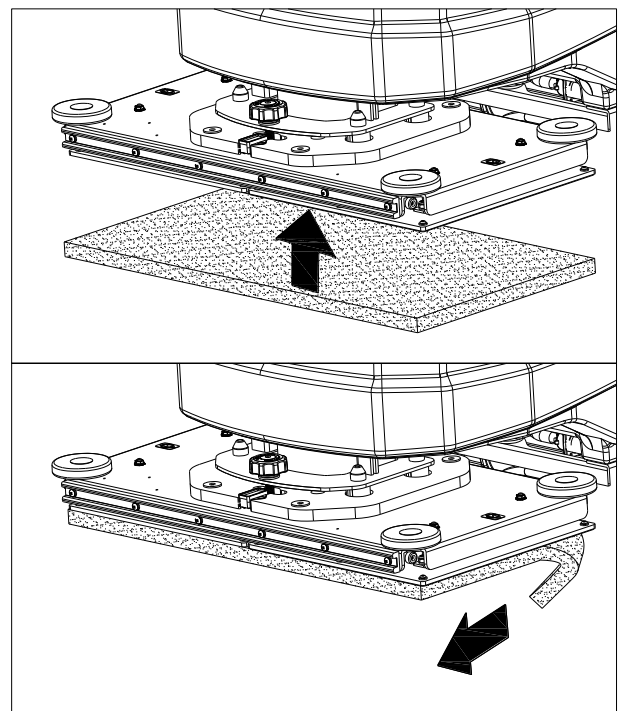
1. Įkiškite užvedimo raktelį (3 pav., 42) ir pasukite jį į padėtį „I“. Norėdami nuimti šepetį arba šveitimo pado laikiklį, paspauskite šepetio arba šveitimo pado laikiklio atleidimo mygtuką (44), kad pakeltumėte platformą.



9 pav.

ŠVEITIMO PADO MONTAVIMAS IR NUĖMIMAS (tik sukamosioms mašinoms)

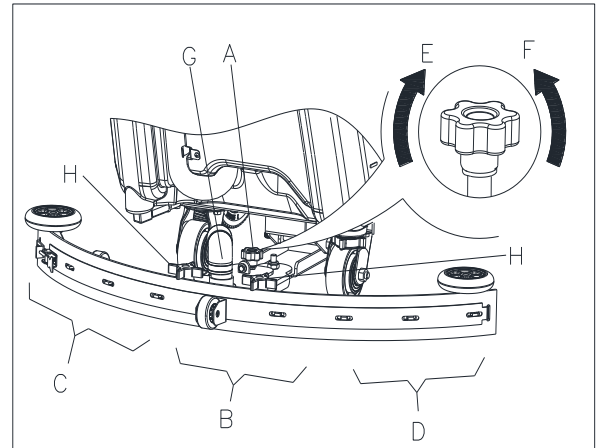
1. Įkiškite užvedimo raktelį (3 pav., 42) ir pasukite jį į padėtį „I“. Pakelkite platformą. Išjunkite mašiną ištraukdami užvedimo raktelį.
2. Šveitimo padą montuokite arba nuimkite rankomis (žr. 10 pav.).



10 pav.

VALYTUVO BALANSO REGULIAVIMAS

1. Sumontuokite valytuvą ir priveržkite veržles (11 pav., H), tada prie valytuvo pajunkite siurblio žarną (G).
2. Naudodami valytuvo reguliavimo rankeną (11 pav., A) sureguliuokite valytuvo balansą.
 - a) Jei tarp grindų paviršiaus ir vidurinės galinės valytuvo mentės (B) sekcijos yra tarpas, sukite rankenėlę (A) prieš laikrodžio rodyklės kryptį (F) iki visos galinės valytuvo mentės sekcijos prisispaus prie grindų paviršiaus, o priekinė mentė tik prisilies prie grindų.
 - b) Jei tarp grindų paviršiaus ir abiejų kraštinių galinės valytuvo mentės (C ir D) sekcijų yra tarpas, sukite rankenėlę (A) laikrodžio rodyklės kryptimi (E) iki visos galinės valytuvo mentės sekcijos prisispaus prie grindų paviršiaus, o priekinė mentė tik prisilies prie grindų.



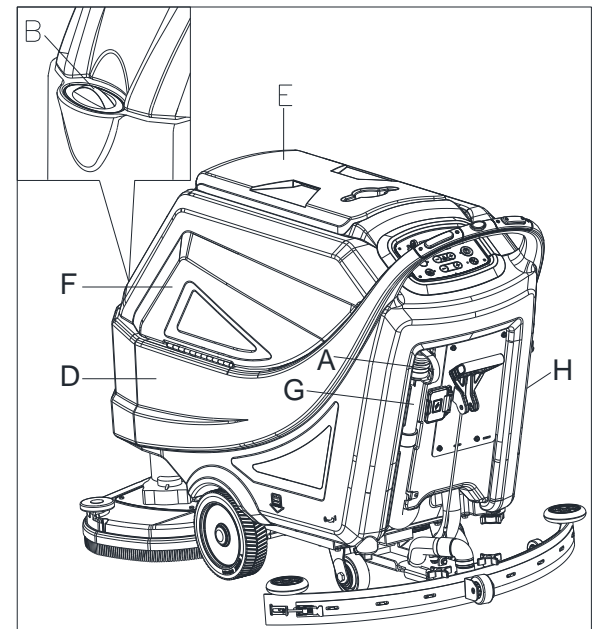
11 pav.

TIRPALO REZERVUARO UŽPILDYMAS

1. Atidarykite vandens įpylimo dangtį (12 pav., B).
2. Per vandens įpylimo angą su filtru įpilkite vandens arba darbu tinkamo tirpalo.
Tirpalo temperatūra neturi viršyti +40 °C (+104 °F).
3. Neperpildykite rezervuaro, vandens ar tirpalo lygis neturi viršyti žymos (H).

**ĮSPĖJIMAS!**

Naudokite tik neputojančias ir nedegias plovimo priemones, skirtas automatinėms šveitimui mašinoms.



12 pav.

MAŠINOS PALEIDIMAS IT STABDYMAS**Mašinos paleidimas**

1. Paruoškite mašiną darbui taip, kaip aprašyta ankstesniame skyriuje.
2. Į užvedimo spynelę įkiškite užvedimo raktelį (13 pav., A) ir pasukite į padėtį „I“. Ekrane patikrinkite akumuliatorių įkrovos lygį. Jei reikia, įkraukite akumuliatorius (procedūra aprašyta skyriuje „Priežiūra“).
3. Nuvežkite mašiną į darbo vietą.
 - Jei norite, kad mašina važiuotų į priekį, paspauskite apsauginį jungiklį (F), o jei atgal – kartu paspauskite apsauginį jungiklį (F) ir atbulinės eigos jungiklį (G). Važiavimo į priekį greitį galima reguliuoti greičio reguliatoriumi (H).
4. Naudodami plautuvo kėlimo-nuleidimo rankeną (J) nuleiskite plautuvą (I).
5. Paspauskite paleidimo mygtuką (L) nuleiskite šepetio / šveitiklio pado laikiklio platformą (K).
6. Jei reikia, priklausomai nuo valymo užduoties, valdymo mygtukais (O) keiskite tirpalo srautą.
7. Pradėkite valymą.
 - Paspauskite apsauginį jungiklį (F), kad įjungtumėte mašinos pavarą. Jei reikia, važiavimo į priekį greitį galima reguliuoti greičio reguliatoriumi (H).

**PASTABA**

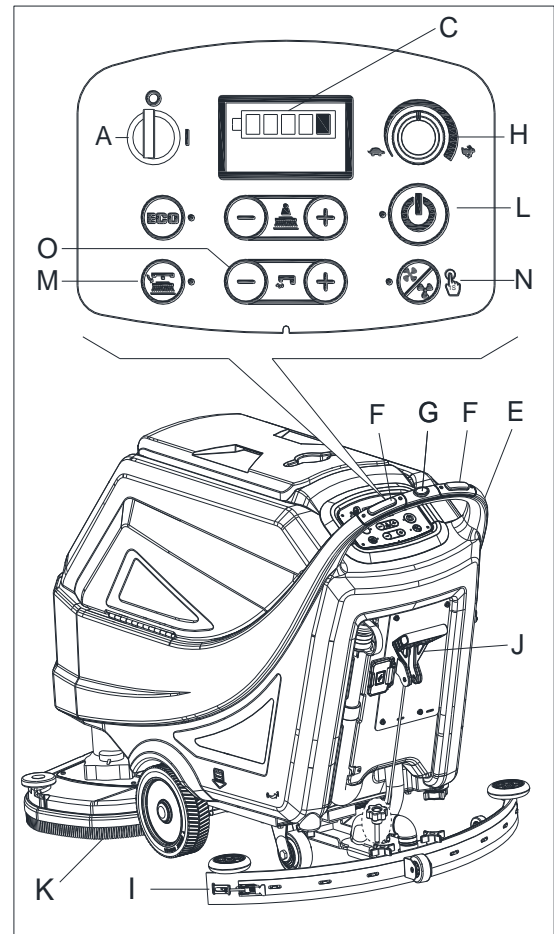
Jei norite, kad mašina važiuotų į priekį, paspauskite kairės arba dešinės pusės apsauginį jungiklį (13 pav., F), arba juos abu.

Mašinos stabdymas

8. Mašiną sustabdysite atleidę apsauginius jungiklius (13 pav., F).
9. Šepečiai išsijungs iš karto. Siurbimo sistema išsijungs po kelių sekundžių.
10. Paspauskite paleidimo mygtuką (L) pakelkite šepečio / šveitiklio pado laikiklio platformą (K).
11. Naudodami plautuvo kėlimo-nuleidimo rankeną (J) pakelkite plautuvą (I).
12. Pasukite užvedimo raktelį (A) į padėtį „0“.
13. Pasirūpinkite, kad mašina pati neriedėtų.

MAŠINOS VALDYMAS (ŠVEITIMAS IR DŽIOVINIMAS)

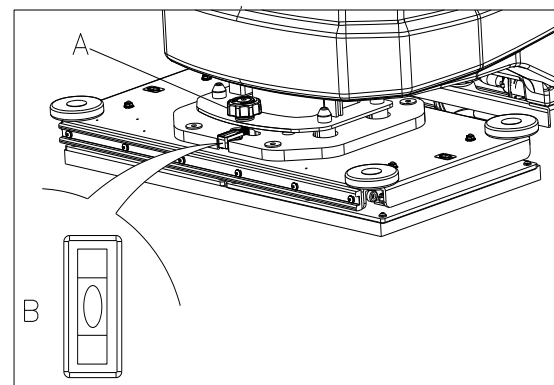
1. Paleiskite mašiną taip, kaip aprašyta ankstesniuose skyriuose.
2. Laikydami nuspaustą bet kurią apsauginį jungiklį (2 pav., 35), važiuojančia mašina pradėkite šveisti / džiovinti grindis.
3. Jei reikia, sustabdykite mašiną ir sureguliuokite valytuvą (žr. skyrių „Valytuvo balanso reguliavimas“).



13 pav.

SUKAMOSIOS PLATFORMOS IŠLYGINIMAS (TIK SUKAMOSIOMS MAŠINOMS)

1. Įkiškite užvedimo raktelį (42) ir pasukite jį į padėtį „I“.
Paspaudę paleidimo mygtuką (49) nuleiskite šepečio / šveitiklio pado laikiklio platformą (25).
2. Reguliavimo rankenėle (14 pav., A) keiskite sukamosios platformos padėtį taip, kad gulsčiuko burbulas būtų gulsčiuko centre (14 pav., B).



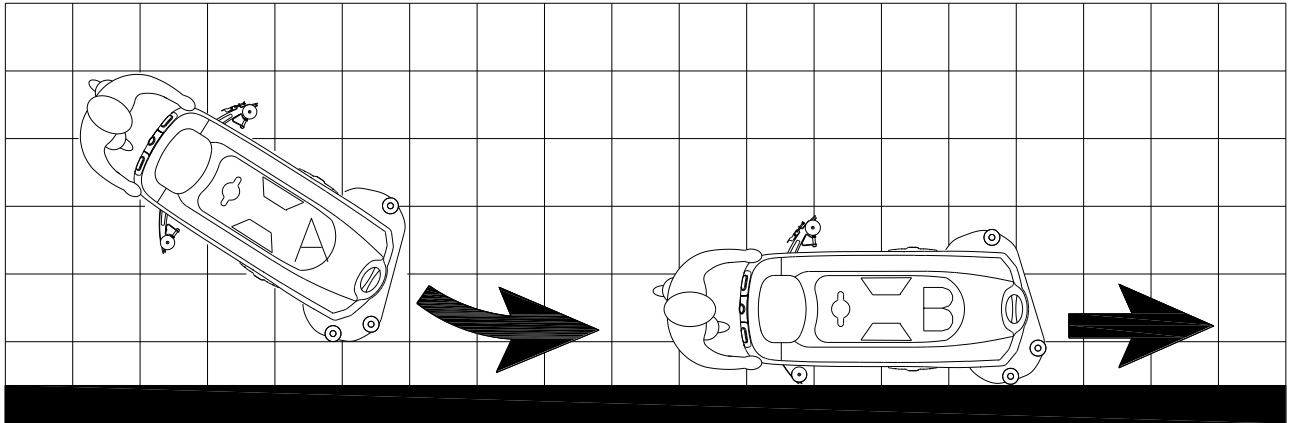
14 pav.

**PASTABA**

Grindų šveitimas / džiovinimas sienų pakraščiuose. Artį prie sienų rekomenduojama privažiuoti dešiniąja mašinos puse (žr. 15 pav., A ir B).

**ATSARGIAI!**

Siekiant apsaugoti grindis nuo pažeidimų, sustabdę mašiną išjunkite šepetčius / šveitimo pado laikiklius.



15 pav.

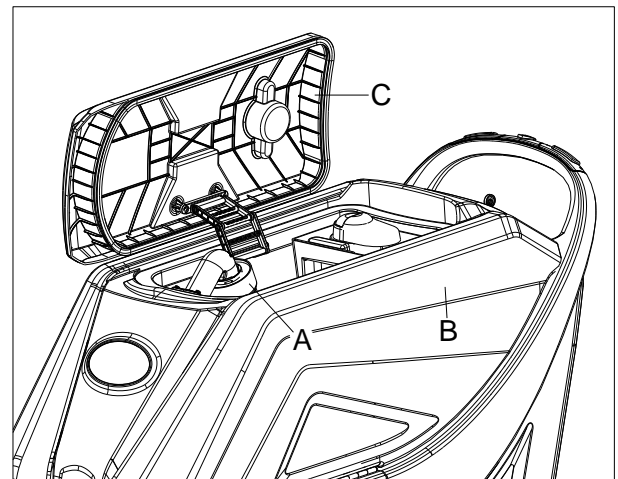
REZERVUARO IŠTUŠTINIMAS

Prisipildžius grąžinamo vandens rezervuarui (B) plūdinė automatinio išjungimo sistema (16 pav., A) išjungia siurbimo sistemą. Apie siurblio sistemos išsijungimą galima suprasti iš staigaus siurbimo sistemos variklio skleidžiamo triukšmo pagarsėjimo, taip pat iš šlapių grindų.

**ATSARGIAI!**

Siurbimo sistemą išjungus atsitiktinai (pavyzdžiui, kai plūdė suveikia dėl staigaus mašinos judesio), norėdami vėl ją įjungti iš pradžių spausdami jungiklį (3 pav., 50) išjunkite siurbimo sistemą, tada atidarykite dangtį (16 pav., C) ir patikrinkite, ar plūdė filtro (A) viduje nusileidusi iki vandens lygio. Tada uždarykite dangtį (C) ir spausdami jungiklį (3 pav., 50) įjunkite siurbimo sistemą.

Grąžinamo vandens rezervuarui (16 pav., B) prisipildžius, laikydamiesi toliau pateiktų nurodymų ištuštinkite jį.



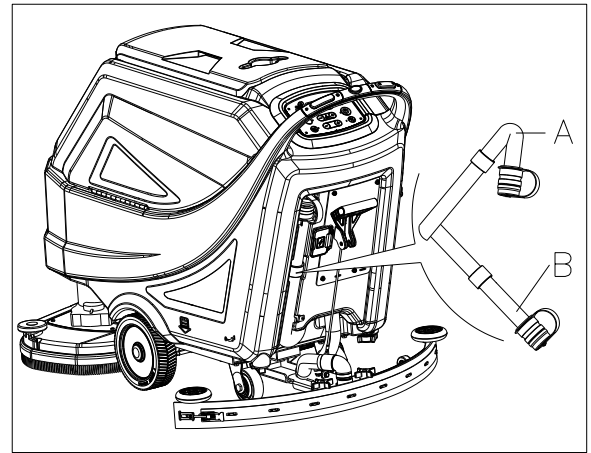
16 pav.

Grąžinamo vandens rezervuaro ištuštinimas

1. Sustabdykite mašiną.
2. Paspausdami paleidimo mygtuką (3 pav., 49) pakelkite šepečio / šveitimo pado laikiklio platformą (1 pav., 25) arba užvedimo rakteliu (3 pav., 42) iš naujo paleiskite mašiną.
3. Plautuvo kėlimo-nuleidimo rankena (2 pav., 39) pakelkite plautuvą (1 pav., 11).
4. Nuvežkite mašiną iki specialiai skirtos atliekų išpylimo vietos.
5. Naudodami žarną (17 pav., A) ištuštinkite grąžinamo vandens rezervuarą. Tada rezervuarą (16 pav., B) išskalaukite švariu vandeniu.

**ATSARGIAI!**

Prieš išpildami purviną vandenį sulenkite siurbimo sistemos žarną (17 pav., A) ir nuleiskite ją į apatinę padėtį (17 pav., B), tada atidarykite siurbimo žarnos dangtelį, kad išleistumėte vandenį. Vandens išpylimo metu nekelkite vertikaliai į viršų siurbimo žarnos. Iškelę žarną į viršų galite apsilaistyti.



17 pav.

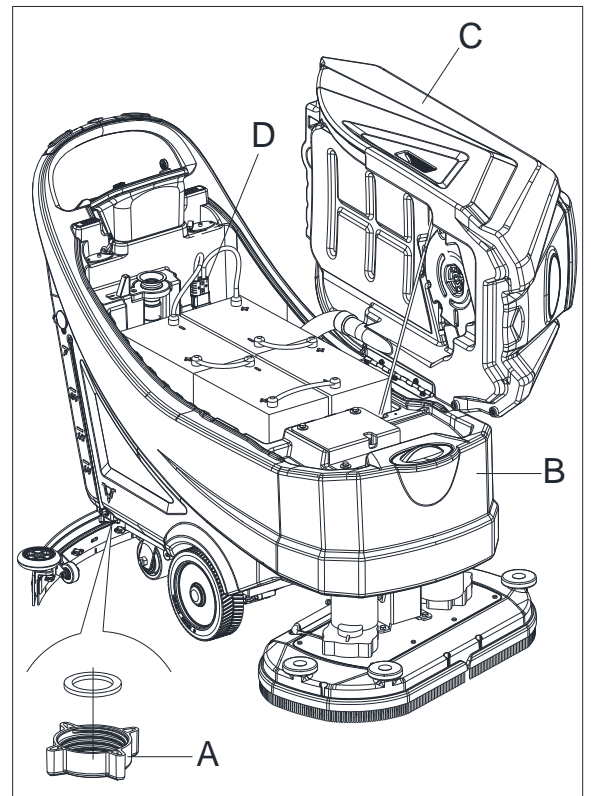
Tirpalo / švaraus vandens rezervuaro ištuštinimas

1. Atidarę išleidimo dangtelį (18 pav., A) ištuštinkite tirpalo rezervuarą. Po darbo, išskalaukite rezervuarą švariu vandeniu.

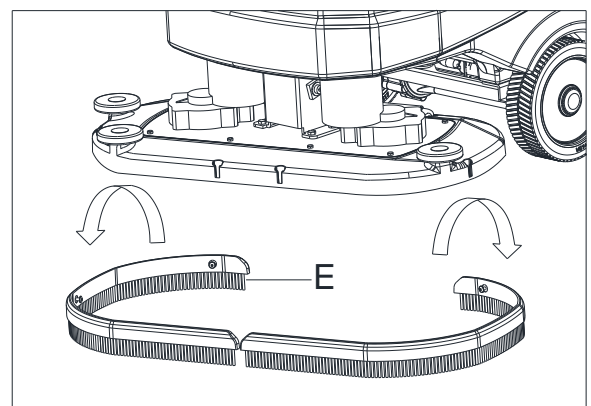
PANAUDOJUS MAŠINĄ

Prieš palikdami mašiną po darbo, atlikite toliau nurodytus veiksmus.

1. Paspaudę atleidimo mygtuką nuimkite šepečius / šveitimo padų laikiklius (3 pav., 44) ir išvalykite juos (tik diskinėms mašinoms).
2. Nuimkite apsaugą nuo pusrū (žr. 19 pav., E) ir išvalykite ją. (tik diskinėms mašinoms).
3. Nuimkite šveitimo padą ir išvalykite. (tik sukamosioms mašinoms).
4. Ištuštinkite rezervuarus (18 pav., B ir C), kaip aprašyta ankstesniuose skyriuose.
5. Atlikite kasdienines priežiūros procedūras (žr. skyrių „Priežiūra“).
6. Pakėlę šepečius / šveitimo padų laikiklius ir pakėlę arba nuėmę valytuvą, mašiną laikykite švarioje ir sausoje vietoje.



18 pav.



19 pav.

MAŠINOS LAIKYMAS, JEI MAŠINA NENAUDOJAMA ILGĄ LAIKĄ

Jei mašinos ketinate nenaudoti 30 ar daugiau dienų, laikykitės toliau pateiktų nurodymų.

1. Atlikite procedūras aprašytas skyriuje „Panaudojus mašiną“.
2. Atjunkite akumulatoriaus jungtį (2 pav., 29).

PIRMASIS NAUDOJIMO LAIKOTARPIS

Po pirmųjų 8 darbo valandų patikrinkite mašinos dalių sujungimus ir tvirtinimus, taip pat pažiūrėkite, ar nesimato dalių susidėvėjimo ar skysčių pratekėjimo.

PRIEŽIŪRA**ĮSPĖJIMAS!**

Priežiūros procedūras būtina vykdyti išjungus mašiną ir atjungus akumulatoriaus įkrovimo laidą. Taip pat prieš bet kokių darbų pradžią būtina įdėmiai perskaityti šios instrukcijos saugaus darbo skyrius.

Visas suplanuotas arba priverstines priežiūros darbų procedūras turi vykdyti kvalifikuoti darbuotojai arba įgaliotasis remonto centras. Šioje naudojimo instrukcijoje aprašytos bendrosios ir standartinės priežiūros darbų procedūros.

Kitos, toliau lentelėje nenurodytos priežiūros procedūros, aprašytos techninės priežiūros instrukcijoje, dėl kurios galite kreiptis į bet kurį mūsų remonto centrą.

PRIEŽIŪROS DARBŲ GRAFIKAS**ATSARGIAI!**

Pirmąją procedūrą (1) būtina atlikti praėjus 8 darbo valandos, jei mašina naudojama pirmą kartą. Sekančia procedūrą (2) turi vykdyti kvalifikuoti mūsų įmonės remonto centro darbuotojai.

Procedūra	Kiekvieną dieną, kiekvieną kartą panaudojus	Kas savaitę	Kas pusę metų	Kas metus
Akumulatoriaus įkrovimas				
Valytuvo valymas				
Šepečio / šveitimo pado laikiklio valymas				
Rezervuaro valymas				
Rezervuaro sandarinimo siūlių apžiūra				
Plūdės filtro valymas				
Šveitimo pado valymas				
Apsauga nuo pusrslų valymas (tik diskinėms mašinoms)				
Valytuvo mentės tikrinimas ir keitimas				
Vandens filtro valymas				
Įsiurbimo filtro valymas				
WET akumulatoriaus skysčio lygio tikrinimas				
Varžtų ir veržlių užveržimo tikrinimas			(1)	
Apatinis izoliatorius (tik sukamosioms mašinoms)			(2)	
Šepečio variklio anglinių šepetėlių tikrinimas ir keitimas				(2)
Siurblio variklio anglinių šepetėlių tikrinimas ir keitimas				(2)
Pavaros sistemos variklio anglinių šepetėlių tikrinimas ir keitimas				(2)

IEVADS**UZMANĪBU!**

Daži vispārīgi un detalizēti dati par mašīnām šajā rokasgrāmatā nav iekļauti.

Lūdzu, skatiet PAMATA LIETOŠANAS INSTRUKCIJAS rokasgrāmatu piegādātajā kompaktdiskā izmantojot Adobe® Reader®.

**PIEZĪME**

Skaitļi iekavās attiecas uz komponentiem, kas redzami sadaļā Mašīnas apraksts.

ROKASGRĀMATAS MĒRĶIS UN SATURS

Šīs īsās pamata lietošanas instrukciju rokasgrāmatas mērķis ir sniegt operatoram visu pamatinformāciju, lai pareizi izmantotu mašīnu. Un, lai iegūtu informāciju par tehniskajiem parametriem, darbību, mašīnas neaktivitāti, rezerves daļām un drošības apstākļiem utt., Lūdzu, skatiet MATA LIETOŠANAS INSTRUKCIJAS rokasgrāmatu par piegādātajā kompaktdiskā.

Pirms jebkādu darbību uzsākšanas operatoriem un kvalificētiem tehniķiem jāizlasa pamata lietošanas instrukciju rokasgrāmata. Sazinieties ar mūsu uzņēmumu, ja rodas šaubas par instrukciju interpretāciju vai papildu informāciju.

KĀ UZGLABĀT ŠĪSPAMATA LIETOŠANAS INSTRUKCIJAS

Pamata lietošanas instrukcijas jāglabā netālu no mašīnas, piemērotā korpusa iekšpusē, prom no šķidrumiem un citām vielām, kas to var sabojāt.

ATBILSTĪBAS DEKLARĀCIJA

Atbilstības deklarācija tiek piegādāta kopā ar mašīnu, un tā apliecina mašīnas atbilstību spēkā esošajai likumdošanai.

**PIEZĪME**

Orģinālās atbilstības deklarācijas kopijas tiek piegādātas kopā ar mašīnas dokumentāciju.

PIEDERUMI UN APKOPE

Visas nepieciešamās ekspluatācijas, apkopes un remonta procedūras jāveic kvalificētam personālam, mūsu uzņēmuma nozīmētam apkopes centram. Atļauts izmantot TIKAI oriģinālās vai apstiprinātās rezerves daļas un piederumus.

Sazinieties ar mūsu uzņēmuma klientu apkalpošanas dienestu, lai veiktu jebkādu apkopi vai piederumu vai rezerves daļu iegādi.

IZMAIŅAS UN UZLABOŠANA

Mēs aņņēmāmiēs nepārtraukti uzlabot savus produktus, un uzņņēmums patur tiesības veikt izmaiņas un uzlabojumus mašīnā, par to neinformējot.

IZMANTOŠANAS JOMA

Skruberis ir paredzēts komerciālai un rūpnieciskai izmantošanai. Tas ir piemērots gludu un cietu grīdu tīrīšanai, kvalificēts personāls to var izmantot drošības apstākļos. Tas nav piemērots izmantošanai ārpus telpām, kā arī paklāju vai neapstrādātu grīdu tīrīšanai.

MAŠĪNAS IDENTIFIKĀCIJAS DATI

Mašīnas sērijas numurs un modeļa nosaukums ir norādīti uz sērijas etiķetes.

Šī informācija ir noderīga. Izmantojiet šo tabulu, lai pierakstītu mašīnas identifikācijas datus, kad pieprasāt mašīnai rezerves detaļas.

MAŠĪNAS MODELIS.....
MAŠĪNAS SĒRIJAS NUMURS.....

TRANSPORTS UN IEPAKOJUMS

Kad pārvadātājs piegādā mašīnu, pārliecinieties, ka iepakojums un mašīna ir vesela un nesabojāta. Ja tas ir bojāts, informējiet pārvadātāju par bojājumiem un pirms preču pieņemšanas rezervējiet tiesības zaudējumu atlīdzināšanai.

Izsaiņojot mašīnu, stingri ievērojot instrukcijas uz iepakojuma.

Pārbaudiet iepakojumu, lai pārliecinātos, ka ir iekļautas šādas preces:

1. Tehniskās dokumentācijas ātras darbības rokasgrāmata
2. Detaļu saraksts (*).
3. Akumulatora savienojums.
4. Elektroniskā akumulatora lādētāja rokasgrāmata (ja uzstādīta) (*)

DROŠĪBA

Šie simboli norāda uz potenciāli bīstamām situācijām. Vienmēr uzmanīgi izlasiet šo informāciju un veiciet visus nepieciešamos piesardzības pasākumus, lai aizsargātu cilvēkus un īpašumu.

UZ MAŠĪNAS REDZAMIE SIMBOLI**BRĪDINĀJUMS!**

Pirms mašīnas ekspluatācijas uzsākšanas izlasiet visas instrukcijas.

**BRĪDINĀJUMS!**

Nemazgājiet mašīnu zem spiediena vai ar tiešām ūdens strūklām.

**BRĪDINĀJUMS!**

Nelietojiet mašīnu nogāzēs ar slīpumu, kas pārsniedz specifikācijā noteikto.

SIMBOLI, KAS REDZAMI PAMATA LIETOŠANAS INSTRUKCIJAS**BĪSTAMI!**

Tas norāda uz bīstamu situāciju ar operatora nāves risku.

**BRĪDINĀJUMS!**

Tas norāda uz iespējamu traumu risku cilvēkiem.

**UZMANĪBU!**

Tas norāda uz piesardzību vai piezīmi, kas saistīta ar svarīgām vai noderīgām funkcijām. Pievērsiet uzmanību rindkopām, kuras apzīmētas ar šo simbolu.

**PIEZĪME**

Tas norāda uz piezīmi, kas saistīta ar svarīgām vai noderīgām funkcijām.

**KONSULTĀCIJA**

Tas norāda uz nepieciešamību pirms jebkuras procedūras veikšanas iepazīties pamata lietošanas instrukciju rokasgrāmatu.

VISPĀRĪGĀS DROŠĪBAS INSTRUKCIJA

Zemāk ir parādīti īpaši brīdinājumi un piesardzības pasākumi, lai informētu par iespējamu kaitējumu cilvēkiem un mašīnām.

**BĪSTAMI!**

- Saskaņā ar rokasgrāmatu, ar šo mašīnu jāstrādā apmācītam un pilnvarotam personālam.
- Pirms tīrīšanas, apkopes, remonta vai nomaiņas veikšanas uzmanīgi izlasiet visas instrukcijas, pārliecinieties, ka mašīna ir **IZSLĒGTA** un ir atvienots akumulatora savienotājs.
- Nedarbiniet mašīnu toksisku, bīstamu, viegli uzliesmojošu un/vai sprādzienbīstamu pulveru, šķidrumu vai tvaiku tuvumā. Šī mašīna nav piemērota bīstamu pulveru savākšanai.
- Nevalkājiet rotaslietas, strādājot tuvu elektriskajiem komponentiem.
- Nestrādājiet zem paceltās mašīnas, neatbalstot to ar drošības stendiem.
- Lietojot svina (WET) baterijas, normālā lietošanā tās var izdalīt viegli uzliesmojošu gāzi, tāpēc turēt dzirksteles, liesmas, smēķēšanas materiālus un izstarojošos, apgaismojošos un degošos priekšmetus prom no baterijām.
- Uzlādējot svina (WET) baterijas, tās var izdalīt ūdeņraža gāzi, kas var izraisīt eksploziju. Jānodrošina, lai uzlādes vide būtu labi vēdināta un atrastos prom no atklātas liesmas.

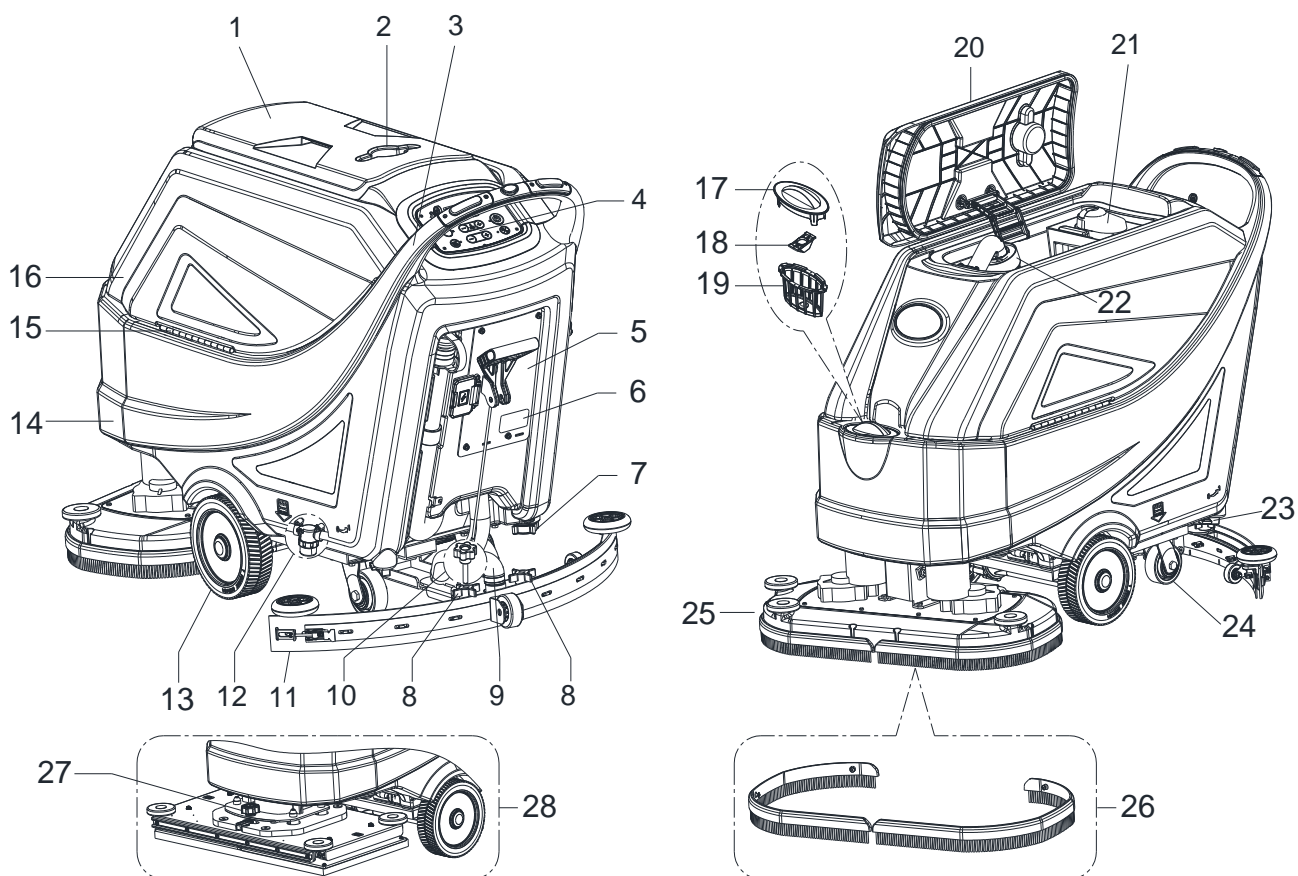
**BRĪDINĀJUMS!**

- Šī mašīna ir paredzēta **KOMERCIĀLAI LIETOŠANAI**, piemēram, viesnīcās, skolās, slimnīcās, rūpnīcās, veikalos, birojos un nomas uzņēmumos.
- Mašīnas, kuras atstāj bez uzraudzības, ir jānodrošina pret nejaušu pārvietošanos.
- Lai novērstu neatļautu mašīnas izmantošanu, enerģijas avotu izslēdz vai bloķē, piemēram, noņemot galvenā slēdža atslēgu vai aizdedzes atslēgu.
- Pirms katras lietošanas rūpīgi pārbaudiet mašīnu. Pirms lietošanas pārliecinieties, vai visas sastāvdaļas ir saliktas pareizi. Vai arī tas var nodarīt kaitējumu cilvēkiem un īpašumiem.
- Pirms akumulatora lādētāja lietošanas pārliecinieties, ka frekvences un sprieguma vērtības, kas norādītas uz mašīnas sērijas numura etiķetes, atbilst elektrotīkla vērtībām.
- Nekad nepārvietojiet mašīnu, velkot aiz akumulatora lādētāja kabeļa. Neizlaidiet kabeļus caur aizvērtām durvīm vai tīnumu uz asām malām vai stūriem. Nebrauciet ar mašīnu pāri akumulatora lādētāja kabelim. Turiet akumulatora lādētāja kabeļus prom no apsildāmām virsmām.
Neuzlādējiet akumulatorus, ja ir bojāts akumulatora lādētāja kabelis vai kontaktdakša.
- Lai samazinātu ugunsgrēka, elektriskās strāvas triecienu vai ievainojumu risku, pirms darba vietas atstāšanas pārliecinieties, ka mašīna ir izslēgta.
- Izmantojiet vai uzglabājiet mašīnu telpās sausus apstākļos. To nav atļauts izmantot ārpus telpām.
- Gan mašīnas uzglabāšanas, gan darba temperatūrai jābūt no 0° C līdz +40° C, gaisa mitrumam jābūt no 30% līdz 95%.
- Nelietojiet mašīnu nogāzēs ar slīpumu, kas pārsniedz norādītās specifikācijas.
- Izmantojot un rīkojoties ar grīdas tīrīšanas līdzekļiem, ievērojiet instrukcijas uz mazgāšanas līdzekļu pudeļu etiķetēm un valkājiet piemērotus cimdus un citas aizsargierīces.
- Izmantojiet suku vai spilventiņus, kas piegādāti kopā ar mašīnu vai definēti rokasgrāmatā. Citu suku vai spilventiņu lietošana var mazināt drošību.
- Mašīnas darbības traucējumu gadījumā pārliecinieties, ka tie nav radušies apkopes trūkuma dēļ. Ja nepieciešams, lūdziet palīdzību pilnvarotajam personālam vai pilnvarotajam servisa centram.
- Veiciet visus nepieciešamos piesardzības pasākumus, lai matus, rotaslietas un vaļīgās drēbes neieķertos mašīnas kustīgajās detaļās.
- Nelietojiet mašīnu īpaši putekļainās vietās.

- Nemazgājiet mašīnu zem spiediena vai ar tiešām ūdens strūkļām, vai ar kodīgām vielām.
- Neietriecieties plauktos vai sastatnēs, it īpaši vietās, kur pastāv risks nokrist priekšmetiem.
- Nenovietojiet šķidrums tvertnes uz mašīnas, izmantojiet atbilstošu tvertņu turētāju.
- Lai nesabojātu grīdu, neļaujiet sukai/paliktņim darboties, kamēr mašīna stāv uz vietas.
- Ugunsgrēka gadījumā izmantojiet sauso ugunsdzēsšanas pulveri. Nelietojiet šķidros ugunsdzēsamos aparātus.
- Nenoņemiet un nemodificējiet mašīnas uzlīmes.
- Neveiciet nekādas izmaiņas mašīnas drošības sargos un stingri ievērojiet parastās apkopes instrukcijas.
- Mašīnas transportēšanas laikā pievērsiet īpašu uzmanību, kad temperatūra ir zemāka par sasalšanas temperatūru. Ūdens rekuperācijas tvertnē, un šļūtenēs, var sasalst un nopietni sabojāt mašīnu.
- Ja rezerves daļas ir jāmaina, pasūtiet ORIGINĀLĀS rezerves daļas pie pilnvarota izplatītāja vai mazumtirgotāja.
- Atgrieziet mašīnu servisa centrā, ja tas nedarbojas kā parasti vai ir bojāta, ir atstāta ārā, vai tā iekritusi ūdenī.
- Lai nodrošinātu mašīnas pareizu un drošu darbību, pilnvarotajam personālam vai pilnvarotajam servisa centram jāveic plānotā apkope, kas norādīta šīs rokasgrāmatas attiecīgajā nodaļā.
- Mašīna ir pienācīgi jāiznīcina, jo tajā ir toksiski kaitīgi materiāli (akumulatori utt.), uz kuriem attiecas standarti, kas prasa iznīcināšanu īpašos centros (sk. nodaļu Metāllūžņi).
- Šī mašīna ir tikai tīrīšanas līdzeklis, un nav paredzēta citam mērķim.
- Vienmēr pārlicinieties, ka atverēs nav putekļu, matiņu un citu svešķermeņu, kas varētu aprūtināt gaisa plūsmu. Nelietojiet mašīnu, ja atveres ir aizsērējušas.
- Izmantojiet mašīnu tikai tad, ja ir nodrošināts atbilstošs apgaismojums.
- Šī mašīna nav paredzēta lietošanai personām (ieskaitot bērnus) ar ierobežotām fiziskām, maņu vai garīgajām spējām, vai pieredzes un zināšanu trūkumu.
- Ja to lieto bērnu tuvumā, nepieciešama īpaša uzmanība.
- Bērni jāuzrauga, lai viņi nespēlētos ar mašīnu.
- Šīs mašīnas lietošanas laikā uzmanieties, lai netraumētu cilvēkus vai nesabojātu priekšmetus.
- Tīrīšanu un apkopi bērni nedrīkst veikt bez uzraudzības.

MAŠĪNAS APRAKSTS**MAŠĪNAS KONSTRUKCIJA (kā parādīts 1. attēlā)**

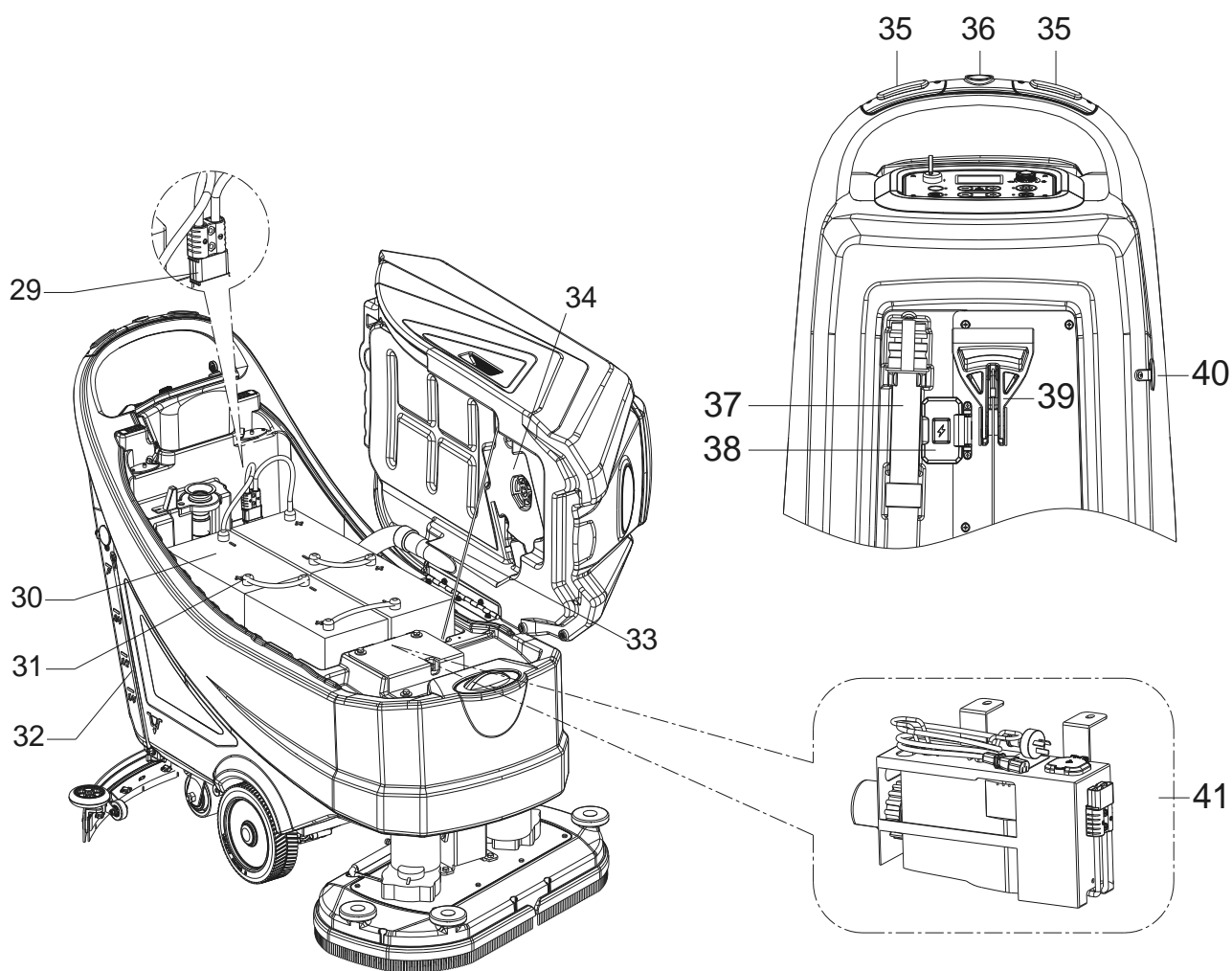
1. Rekuperācijas tvertnes vāks
2. Tvertnes turētājs
3. Stūres stienis
4. Vadības panelis
5. Vadības kārbā
6. Sērijas numura zīme/tehniskie dati
7. Izplūdes vāks
8. Skrāpja pogas
9. Skrāpja vakuuma šļūtene
10. Skrāpja regulēšanas poga
11. Skrāpis
12. Šķīduma filtrs
13. Braukšanas riteņi
14. Šķīduma tvertne
15. Enģes
16. Rekuperācijas tvertne
17. Filtra vāks
18. Uzpildes šļūtenes turētājs
19. Filtra atbalsts
20. Tvertnes vāka blīve
21. Atkritumu savākšanas kaste
22. Pludiņa lodīšu filtrs
23. Šķīdums/tīrs krāna ūdens
24. Aizmugurējie stūres riteņi
25. Suku sistēma (tikai disku mašīnai)
26. Dubļusargs
27. Orbītas galvas regulēšanas poga
28. Orbitāla sistēma (tikai orbitāla mašīnai)

**1. attēls**

MAŠĪNAS KONSTRUKCIJA (kā parādīts 2. attēlā)

- 29. Akumulatora savienotājs (sarkans)
- 30. Akumulatori (*)
- 31. Akumulatora vāciņi
- 32. Ūdens līmeņa indikatora caurule
- 33. Tvertnes drošības kabelis
- 34. Vakuuma sistēma
- 35. Drošības slēdzis
- 36. Mašīnas atpakaļgaitas slēdzis
- 37. Rekuperācijas ūdens novadišanas šļūtene
- 38. Lādēšanas ligzdas drošības vāks
- 39. Skrāpja pacelšanas/nolaišanas rokturis
- 40. Šķīduma tvertnes sānu uzpildes vāciņš
- 41. Iebūvētais lādētājs (*)

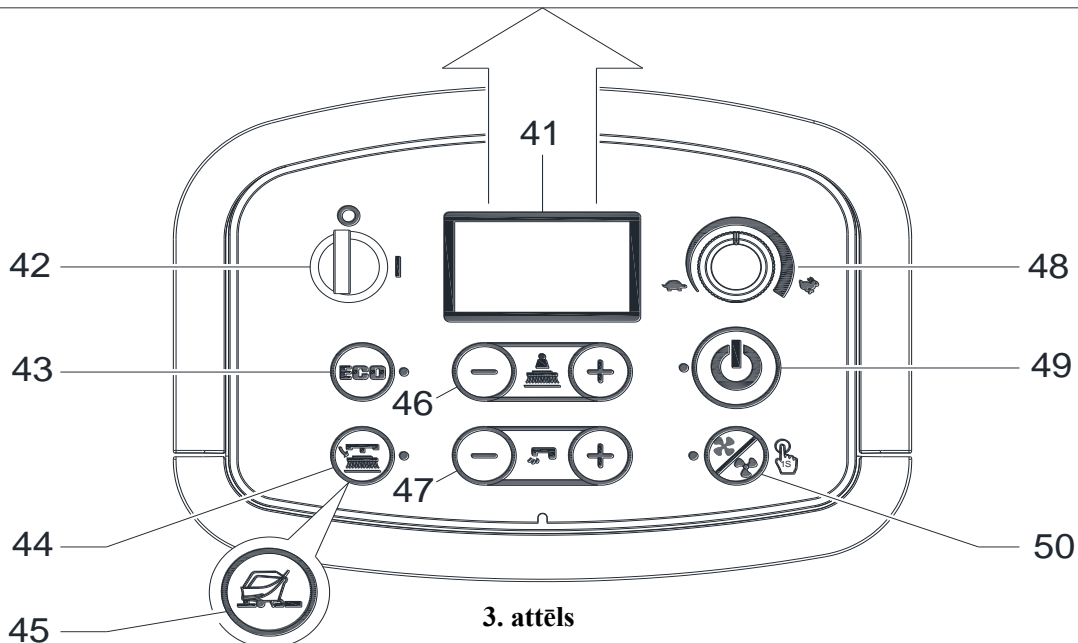
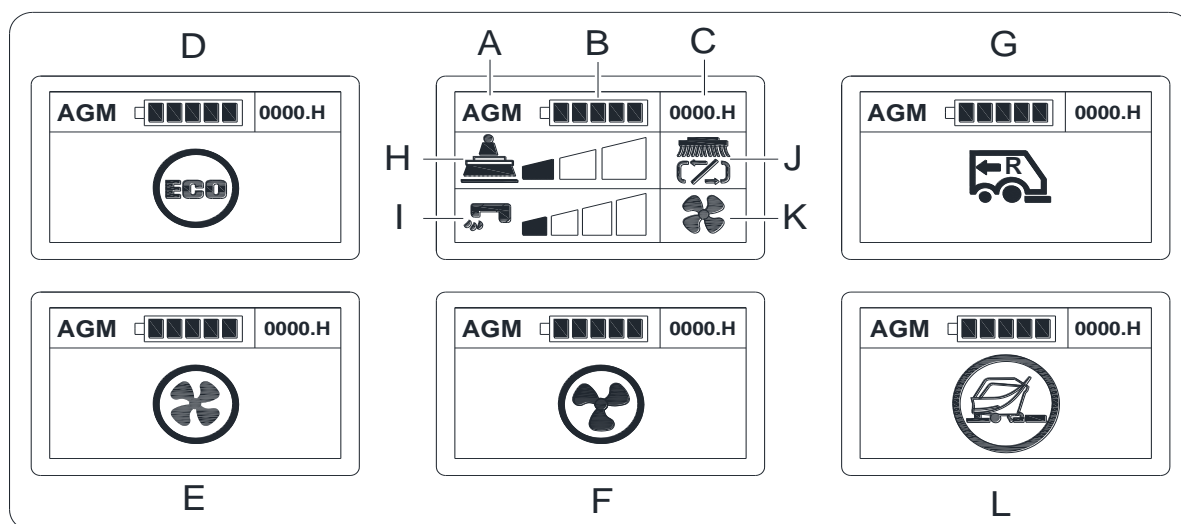
(*): Papildus



2. attēls

VADĪBAS PANELIS (kā parādīts 3. attēlā)

41. Daudzfunkciju displejs
Parādītie vienumi:
A) Akumulatora tips
B) Akumulatora uzlādes līmenis
C) Nostrādātās stundas
D) EKO režīms
E) Putekļsūkšanas normālais režīms
F) Putekļsūkšanas klusais režīms
G) Atpakaļgaitas režīms
H) Aktīvs papildu spiediens
I) Mazgāšanas līdzekļa šķīduma plūsmas daudzums
J) Suku darba režīms
K) Putekļsūkšanas režīms
L) Grīdas sagatavošanas režīms
42. Aizdedzes atslēga (0 - I)
43. EKO režīma poga
• Aktivizēta LED ieslēgšanās-nolaišanas funkcija
• minimālā ūdens plūsma (1. līmenis)
• minimālais spiediens (1. līmenis)
• Putekļsūkšana klusuma režīmā
44. Birstes / paliktņa turētāja atbrīvošanas poga (tikai disku mašīna)
• Aktivizēta mirgojoša LED atbrīvošanas sistēma
45. Grīdas sagatavošanas poga (tikai orbītas mašīnai)
• Braukšanas ātrums, kas iepriekš iestatīts uz 1 km/stundā
• Aktivizēta LED ieslēgšanās-nolaišanas funkcija
• minimālā ūdens plūsma (1. līmenis)
• maksimālais spiediens (3. līmenis)
• Putekļsūkšana normālajā režīmā
46. Suku spiediena regulēšanas poga
47. Šķīduma plūsmas regulēšanas poga
48. Ātruma regulētājs
49. Sākums ar vienu pogu
• Aktivizēta LED ieslēgšanās-nolaišanas funkcija
• minimāla ūdens sistēma (1. līmenis)
• minimālais spiediens (1. līmenis)
• putekļsūkšanas režīms normāls
50. Putekļsūkšanas sistēmas iestatīšanas poga (nospiediet taustiņu 1 sekundi līdz aktivizēšanai)
• LED normālā režīmā
• Mirgojošs LED klusuma režīms



3. attēls

TEHNISKIE PARAMETRI

Parametru tips	Vienības	Modelis		
		AS6690T	AS7690T	AS7190TO
Šķīduma tvertnes kapacitāte	l / gal	85 l / 22 gal.		
Rekuperācijas tvertnes kapacitāte	l / gal	90 l/24 gal.		
Mašīnas garums	mm/collas	1490 mm/ 59 collas	1550 mm/ 61 collas	1490 mm/ 59 collas
Mašīnas platums ar skrāpi	mm/collas	830 mm / 33 collas	950 mm / 38 collas	
Mašīnas platums bez skrāpja	mm/collas	730 mm/29 collas	830 mm/33 collas	750 mm/30 collas
Mašīnas augstums	mm/collas	1020 mm/40,2 collas		
Darba platums	mm/collas	660 mm/26 collas	760 mm/30 collas	710 mm/28 collas
Braucamā riteņa diametrs	mm/collas	230 mm/9 collas		
Braucamā riteņa spiediens uz grīdu	N/mm ²	0,67 N/mm ²		
Aizmugurējā riteņa diametrs	mm/collas	101 mm/4 collas		
Aizmugurējā riteņa spiediens uz grīdu	N/mm ²	0,82 N/mm ²		
Sukas/paliktņa diametrs	mm/collas	330 mm x 2 / 13 collas x2	380 mm x 2 / 15 collas x 2	355x710 mm / 14x28 collas
Sukas/paliktņā spiediens (maks.)	kg/lbs.	32 kg /71 lbs 41 kg /90 lbs 49 kg /108 lbs	35 kg/77 lbs 43 kg /95 lbs 51 kg /112 lbs	42 kg / 93 lbs 54 kg/120 lbs 65 kg/143 lbs
Šķīduma plūsma (maks.) vienā iestatījumā	l / gal minūtē	(0,9/1,5/2,2/3) litri (0,24/0,39/0,58/0,79) galoni		(0,6/1,1/1,9/2,5) litri (0,16/0,29/0,5/0,66) galoni
Skaņas spiediena līmenis	dB (A)	69 ± 3 dB (A)		
Skaņas spiediena līmenis EKO režīmā vai klusuma režīmā	dB (A)	65 ± 3 dB (A)		
Roktura vibrācijas līmenis (maks.)	m/s ²	< 2,5 m/s ²		
Kāpšanas spēja (maks.)	% pakāpe	2%		
Mīn. ejas pagriezienu leņķis	cm/collas	155 cm/61 collas	165 cm/65 collas	160 cm/63 collas
Piedziņas motora jauda	Vats/ZS	250 W / 0,33 ZS		350 W / 0,47 ZS
Darba ātrums	km/jūdzes stundā	0 - 4.0 km / 0 - 2,5 jūdzes stundā		0 - 3, 2 Km / 0 - 2.0 jūdzes stundā
Braukšanas ātrums	km/jūdzes stundā	0 - 4,0 km / 0 - 2,5 jūdzes stundā		
Atpakaļgaitas ātrums	km/jūdzes stundā	0 - 2,0 km / 0 - 1,25 jūdzes stundā		
Putekļsūkšanas motora jauda	Vats/ZS	500 W / 0,66 ZS		
Putekļsūkšanas kapacitāte	H ₂ O mm/collas	H ₂ O 1500 mm / 60 collas		
Putekļsūkšanas ietilpība EKO režīmā vai klusuma režīmā	H ₂ O mm/collas	H ₂ O 900 mm / 35 collas		
Suku motora jauda	Vats/ZS	500 x 2 Vati / 0,66 x 2 ZS		750 Vati / 1,0 ZS
Suku ātrums normālā režīmā	apgr/min	200 apgr/min		2200 apgr/min
Suku ātrums EKO režīmā	apgr/min	160 apgr/min		1600 apgr/min
IP aizsardzības klase	IP	IP24		
Akumulatora nodalījuma izmērs ar ārpusborta lādētāju (G x P x A)	mm/collas	(620 x 385 x 390) mm / 24,4 x 15,1 x 15,3 collas		
Akumulatora nodalījuma izmērs ar lādētāju (G x P x A) (*)	mm/collas	(535 x 385 x 390) mm / 21 x 15,1 x 15,3 collas		
Spriegums	DC	24 V		
Akumulatori (*)	Ah	N/A		
Akumulatora darbības laiks (standarta akumulatoriem) (*)	Stunda	Līdz 4 studnām		
Iebūvētais lādētājs (*)	Volti/ampēri	24V 25A		
Produktivitāte (maks.)	m ² /h	2640 m ² /h	3040 m ² /h	2272 m ² /h
Mašīnas svārs ar tukšām tvertnēm (bez akumulatoriem)	kg/lbs.	135 kg /298 lbs	138 kg /304 lbs	148 kg/326 lbs
Pilna transportlīdzekļa masa (PTM)	kg/lbs.	347 kg/765 lbs	350 kg/772 lbs	360 kg/794 lbs
Piegādes svārs	kg/lbs.	202 kg/444 lbs	205 kg/451 lbs	215 kg/473 lbs
Iepakojšanas izmēri (G x P x A)	mm/collas	(1620 x 810 x 1200 mm) / (64 x 32 x 48 collas)	(1660 x 910 x 1200 mm) / (66 x 36 x 48 collas)	

(*) Papildus

LIETOŠANAS INSTRUKCIJA

**BRĪDINĀJUMS!**

Dažos mašīnas punktos ir dažas līmplāksnes, kas norāda:

- BĪSTAMI!
- BRĪDINĀJUMS!
- UZMANĪBU!
- KONSULTĀCIJA

Lasot šo rokasgrāmatu, operatoram īpaša uzmanība jāpievērš simboliem, kas parādīti uz šīm plāksnēm. Nekāda iemesla dēļ neaizklājiet šīs plāksnes un nekavējoties nomainiet tās, ja tās ir bojātas.

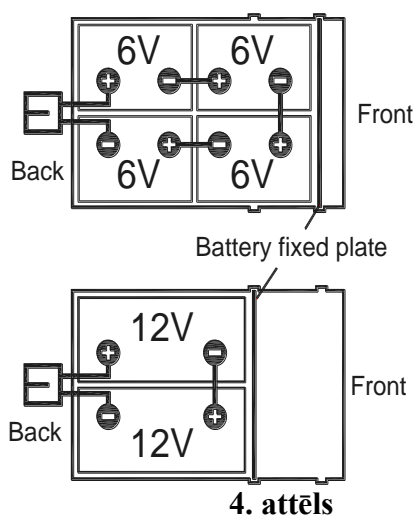
AKUMULATORU PĀRBAUDE/JAUNAS MAŠĪNAS IESTATĪŠANA

**BRĪDINĀJUMS!**

Mašīnas elektriskās detaļas var tikt nopietni bojātas, ja akumulatori ir nepareizi uzstādīti vai pievienoti. Akumulatorus drīkst uzstādīt tikai kvalificēts personāls. Iestatiet funkciju elektronisko paneli un iebūvēto akumulatora lādētāju atbilstoši izmantoto akumulatoru tipam (WET vai GEL/AGM akumulatori). Pirms uzstādīšanas pārbaudiet, vai akumulatori nav bojāti. Atvienojiet akumulatora savienotāju un akumulatora lādētāja spraudni. Ar akumulatoriem rīkojieties ļoti uzmanīgi. Uzstādiet akumulatora spaiļu aizsardzības vāciņus, kas piegādāti kopā ar mašīnu.

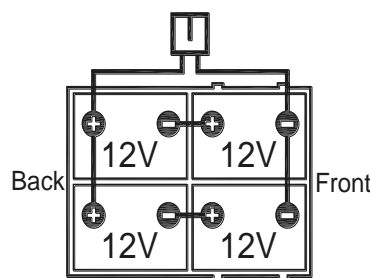
Akumulatori mašīnai jau uzstādīti

1. Pārlicinieties, ka akumulatora savienotājs (29. attēlā 2) ir savienots.
2. Pirmoreiz izmantojot mašīnu ar jauniem akumulatoriem, veiciet pilnu uzlādes ciklu (sk. nodaļu Apkope).

**PIEZĪME**

Mašīnai ir vajadzīgas divi 12 V akumulatori vai četri 6 V akumulatori, kas savienoti saskaņā ar shēmu (4. attēls).

Pareizi ievietojiet akumulatora stiprinājuma plāksni, kā norādīts (attēls. 4).

**Bez akumulatoriem**

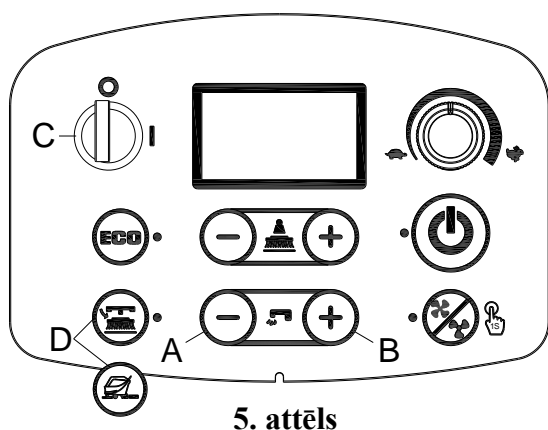
1. Iegādājieties atbilstošus akumulatorus (sk. sadaļu "Tehniskie dati"). Lai izvēlētos un uzstādītu akumulatoru, izmantojiet kvalificētus akumulatoru mazumtirgotājus.
2. Iestatiet mašīnu atbilstoši uzstādīto akumulatoru tipam, kā tas parādīts nodaļas Apkope sadaļā Superlietotāju atslēga.

AKUMULATORU UZSTĀDĪŠANA UN AKUMULATORA TIPA IESTATĪŠANA (WET OR GEL/AGM OR DIS OR ENES)**Akumulatora uzstādīšana**

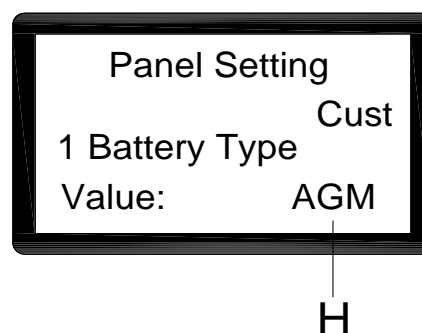
1. Atveriet rekuperācijas tvertnes vāku (1, attēls 1.) un pārlicinieties, ka rekuperācijas tvertne (16) ir tukša, ja tā nav iztukšojiet izmantojot noplūdes šļūteni. (37, attēls 2)
2. Aizveriet rekuperācijas tvertnes vāku (1, attēls 1).
3. Paceltiet rekuperācijas tvertni(16, attēls 1.) uzmanīgi.
4. Mašīna tiek piegādāta ar kabeļiem, kas ir piemēroti divu 12 V akumulatoru vai četru 6 V akumulatoru uzstādīšanai. Uzmanīgi ievietojiet akumulatorus nodalījumā, pēc tam uzstādiet tos pareizi. Pareizi ievietojiet akumulatora stiprinājuma plāksni, kā norādīts (attēls. 4).
5. Virziet un uzstādiet akumulatora kabeli, kā parādīts (4. attēls), pēc tam uzmanīgi pievelciet uzgriezni uz katra akumulatora termināļa.
6. Uzlieciet aizsargvāciņu uz katram terminālim, pēc tam pievienojiet akumulatora savienotāju (29, attēls 2).
7. Uzmanīgi nolaidiet rekuperācijas tvertni(16, attēls 1).

Akumulatora tipa iestatījums (WET OR GEL/AGM OR DIS OR ENES)**Piekļuve akumulatora režīma izvēlei**

Atkarībā no akumulatora veida (WET vai GEL/AGM) iestatiet mašīnu šādi:



5. attēls

Access to select battery mode

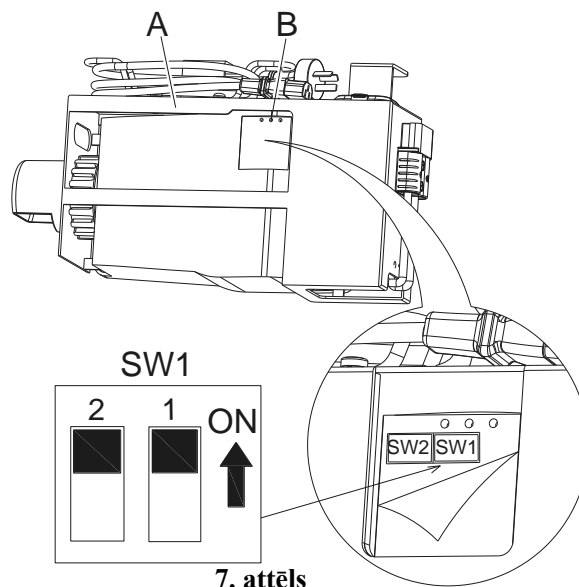
6. attēls

1. Nospiediet ūdens plūsmas pogu "+" (A, attēls 5) un "-" (B, attēls 5) vienlaicīgi.
2. Ievietojiet aizdedzes atslēgu (C, attēls 5) un pagrieziet to uz "I".
3. Dažas sekundes vēlāk jūs nonāksiet akumulatora režīma izvēles ekrānā (attēls 6)
4. Nospiediet ūdens plūsmas pogu "-" (A, attēls 5) un "+" (B, attēls 5), lai izvēlētos akumulatora režīmu (H, attēls 6)
5. Nospiediet atlaišanas pogu diska versijai vai grīdas sagatavošanas pogu orbitālajai versijai (D, 5. attēls), Pēc 3 sekundēm būs redzams "Atjauninājums veikts" nozīmē, ka iestatīšana ir veikta, ieslēdziet, lai restartētu. (C, attēls 5)

Akumulatora lādētāja iestatījums (tikai iebūvētajam lādētājam, ja tas ir uzstādīts)**BRĪDINĀJUMS!**

Neuzstādiet lādētāju, ja neesat izgājis profesionālās apmācības

1. Izslēdziet mašīnu un izjauciet tajā iebūvēto lādētāju (A, 7. Attēls). Pēc tam, atverot etiķeti uz lādētāja vāka (B, 7. attēls), lādētājā jūs redzēsiet 2 dipslēdžu komplektus (SW1 un SW2).
2. Tikai divfunkciju slēdža SW1 komplekts (kreisajā pusē) ietekmē uzlādes līknes izvēli, atbilstoši zemāk redzamajai tabulai.



7. attēls

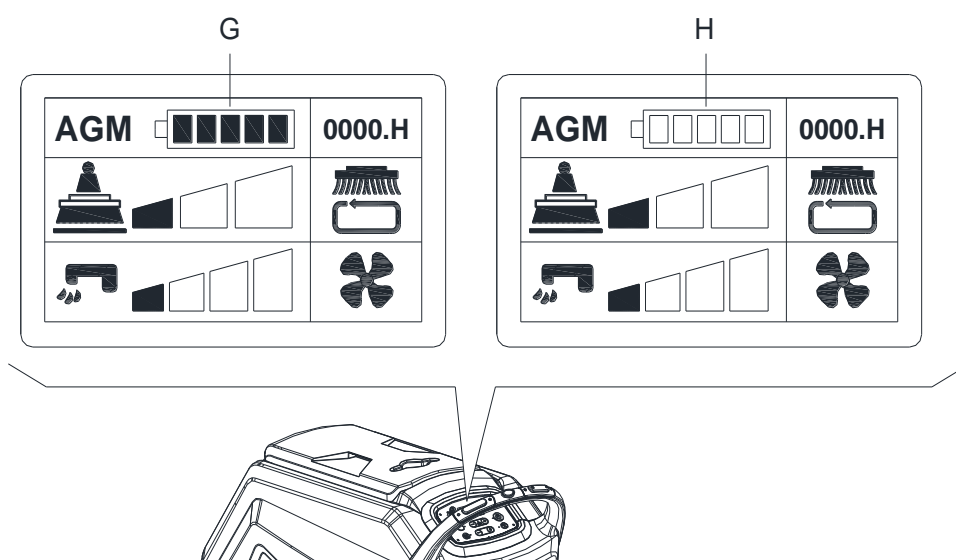
DP1	DP2	UZLĀDES LĪKNE
IESLĒGTS	IZSLĒGTS	IUIa-ACD svina-skābju (WET) akumulatoriem
IZSLĒGTS	IZSLĒGTS	IUIa-GEL Exide-Sonnenschein gēla akumulatoriem
IZSLĒGTS	IESLĒGTS	IUU0-GEL citu ražotāju HAZE Gel un AGM akumulatoriem
IESLĒGTS	IESLĒGTS	IUIUa-AGM akumulatoriem Discover AGM

Akumulatora uzlāde

Pilnībā uzlādējiet akumulatorus (sk. nodaļu Apkope).

Akumulatora izlāde

Kad akumulatori ir pilnībā uzlādēti (G, 8. attēls), akumulatori ļauj mašīnai darboties normāli. Kad akumulatoru līmenis ir zems (H, 8. attēls), akumulatori ir jāuzlādē. Dažas sekundes pēc tam, kad parādījies zems akumulatora uzlādes līmenis, sukas/paliktņa turētājs tiek automātiski izslēgts, kamēr piedziņas sistēma paliek ieslēgta. Nekavējoties brauciet ar mašīnu uz noteikto uzlādes vietu.



8. attēls



UZMANĪBU!

Kad akumulatori ir izlādējušies, uzlādējiet tos pēc iespējas ātrāk, jo izlādes stāvoklis samazina to kalpošanas laiku. Pārbaudiet akumulatoru līmeni vismaz reizi nedēļā.

SUKU/PALIKŅU TURĒTĀJA UZSTĀDĪŠANA UN NOŅEMŠANA (tikai disku mašīnai)

**PIEZĪME**

Uzstādiet vai nu suku (A, 9. attēls), vai paliktņu turētāju (B un C, 9. attēls) atbilstoši tīrāmās grīdas veidam.

**UZMANĪBU!**

Pirms suku vai paliktņa turētāja uzstādīšanas vai noņemšanas pārliecinieties, ka visi mehānismi ir izslēgtā stāvoklī un skrāpis ir pacelts no grīdas. Operatoram jābūt aprīkotam ar piemērotām personāla aizsardzības ierīcēm, piemēram, cimdiem, lai samazinātu negadījumu risku.

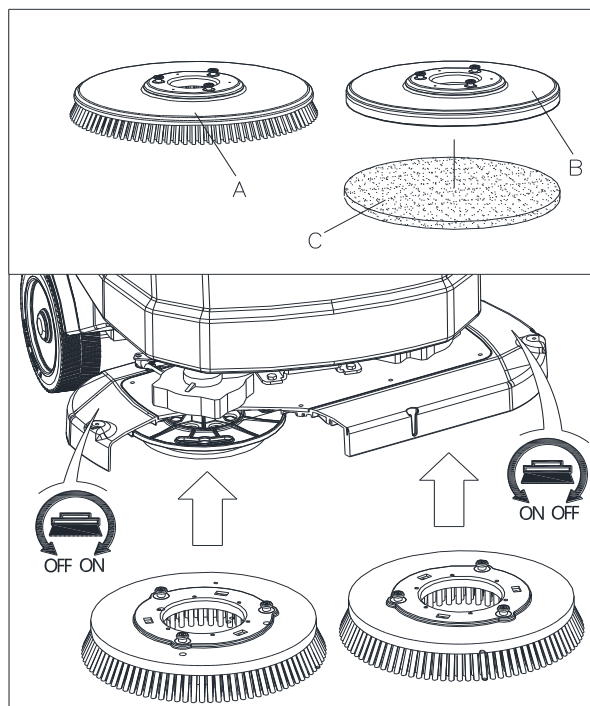
Rīkojieties šādi:

UZSTĀDĪŠANA:

1. Ievietojiet aizdedzes atslēgu (42, 3. attēls) un tad pagrieziet uz "I". Paceliet klāju. Izslēdziet mašīnu, izņemot aizdedzes atslēgu (42).
2. Pagrieziet ātruma regulētāju (48) brīvgaitā, pagriežot to pretēji pulksteņrādītāja virzienam.
3. Novietojiet suku (A, attēls 9.) vai paliktņa turētāju (B) zem klāja.
4. Izmantojiet manuālo metodi, pagriežot suku/paliktņu turētāju virzienā, kas ir pretējs parastajam pagriezienu virzienam, un to varat uzstādīt. (kā tas redzams 9. attēlā)

NOŅEMŠANA:

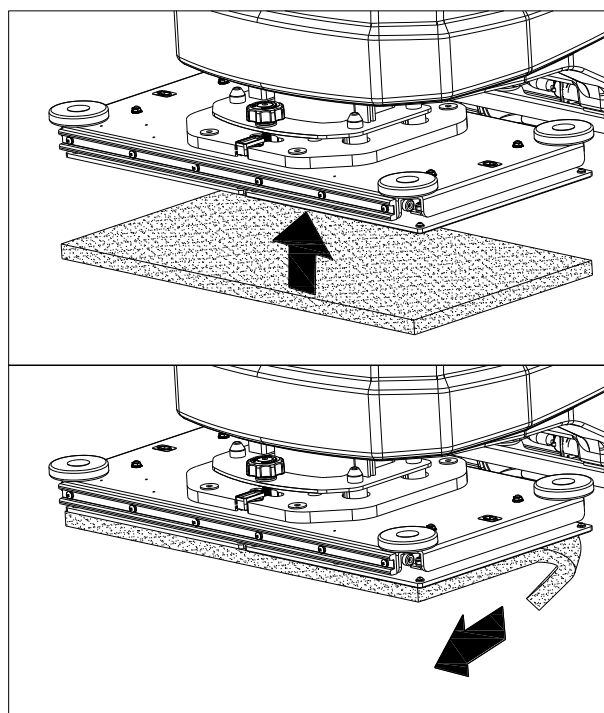
1. Ievietojiet aizdedzes atslēgu (42, 3. attēls) un tad pagrieziet uz "I". Lai noņemtu suku/paliktņu turētāju, paceliet klāju, nospiežot suku/paliktņa turētāja atbrīvošanas pogu (44), sukaspaliktņa turētājs tiek automātiski atbrīvots.



9. attēls

PALIKŅA UZSTĀDĪŠANA UN NOŅEMŠANA (tikai orbītas mašīnai)

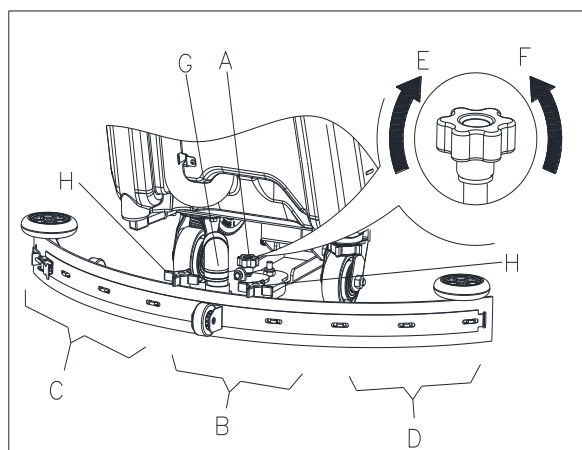
1. Ievietojiet aizdedzes atslēgu (42, 3. attēls) un tad pagrieziet uz "I". Paceliet klāju. Izslēdziet mašīnu, izņemot aizdedzes atslēgu.
2. Izmantojiet manuālo metodi, lai manuāli uzstādītu vai noņemtu palikni kā (10. attēls)



10. attēls

SKRĀPJA LĪDZSVARA REGULĒŠANA

1. Uzstādi skrāpi un pievelci uzgriežņus (H, 11. attēls), pēc tam pievienojiet putekļsūkšanas šļūteni (G) pie skrāpja.
2. Pielāgojiet skrāpi, izmantojot skrāpja regulēšanas rokturi (A, 11. attēls).
 - a) Ja starp zemi un aizmugurējā skrāpja asmeņa (B) vidējo daļu ir atstarpe, noregulējiet to pagriežot pogu (A) pretēji pulksteņa rādītāja virzienam (F), līdz visi aizmugurējā skrāpja asmeņi pareizi saskaras ar zemi, un priekšējais asmens pieskaras zemei tikai nedaudz.
 - b) Ja starp zemi un abām izmugurējā skrāpja asmeņa daļām (C un D) ir atstarpe, noregulējiet to pagriežot pogu (A) pulksteņrādītāja virzienā (E), līdz visi aizmugurējā skrāpja asmeņi pareizi saskaras ar zemi, un priekšējais asmens pieskaras zemei tikai nedaudz.



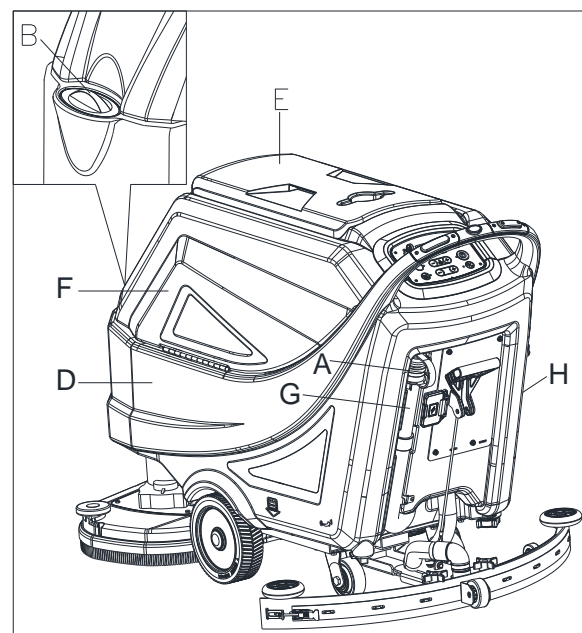
11. attēls

ŠĶĪDUMA TVERTNES PIEPILDĪŠANA

1. Atveriet ūdens ieplūdes vāku (B, 12. attēls).
2. Piepildiet tvertni ar ūdeni vai šķīdumu caur ūdens ieplūdes vietu, kas aprīkota ar filtru. Šķīduma temperatūra nedrīkst pārsniegt + 40 °C (+ 104F).
3. Nepārpildiet tvertni, ūdens līmenim sekojiet līdz ūdens līmeņa indikatorā (H).

**BRĪDINĀJUMS!**

Izmantojiet tikai mazgāšanas līdzekļus ar mazu putu saturu, un neuzliesmojošus mazgāšanas līdzekļus, kas paredzēti automātiskai tīrīšanai.



12. attēls

MAŠĪNAS IEDARBONĀŠANA UN APTURĒŠANA
Mašīnas iedarbināšana

1. Sagatavojiet mašīnu, kā tas aprakstīts iepriekšējā rindkopā.
2. Ievietojiet aizdedzes atslēgu (A, attēls 13.) un tad pagriežiet uz "I". Displeja ekrānā pārbaudiet akumulatora stāvokli. Ja nepieciešams, pilnībā uzlādējiet akumulatorus (sk. nodaļu Apkope).
3. Brauciet ar mašīnu uz darba zonu:
 - Nospiežot vai nu drošības slēdzi (F), lai pārvietotos uz priekšu, vai piespiežot drošības slēdzi (F) kopā ar atpakaļgaitas slēdzi (G), lai pārvietotos atpakaļ. Braukšanas ātrumu var regulēt ar regulatoru (H).
4. Nolaidiet skrāpi (I) ar ar skrāpja pacelšanas/nolaišanas rokturi (J).
5. Nolaidiet suku/palikņa turētāja klāju (K), nospiežot starta pogu (L)
6. Pēc vajadzības nospiediet šķīduma plūsmas vadības pogas (O) atkarībā no veicamās tīrīšanas veida.
7. Sāciet tīrīšanu:
 - Nospiediet jebkuru drošības slēdzi (F), lai aktivizētu mašīnas piedziņu. Ja nepieciešams, braukšanas ātrumu var regulēt ar regulatoru (H).

**PIEZĪME**

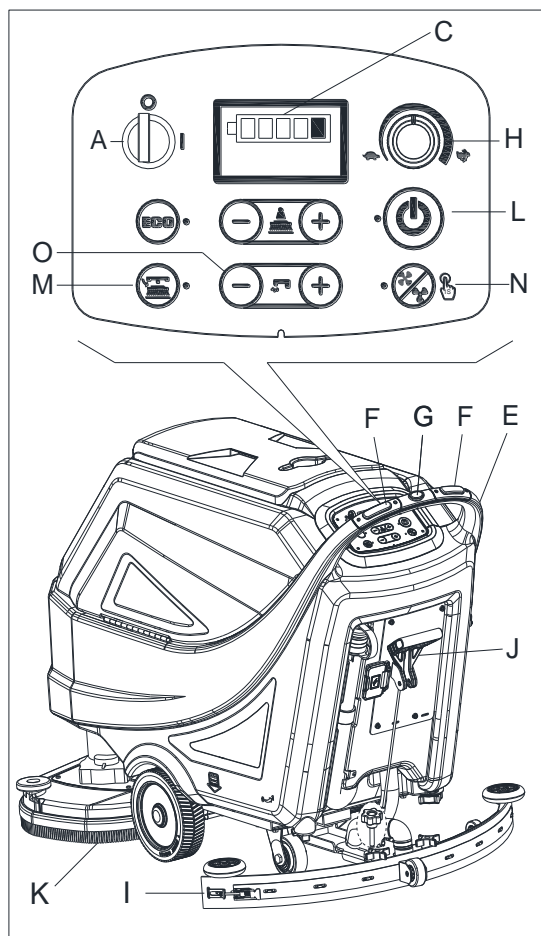
Lai virzītu mašīnu uz priekšu, nospiediet vai nu kreiso vai labo drošības slēdzi (F, attēls 13.) vai abus.

Mašīnas apturēšana

8. Apstādiniet mašīnu, atlaižot drošības slēdžus (F, 13. attēls)
9. Sukas apstājas Pēc dažām sekundēm apstājas putekļsūkšanas sistēma.
10. Paceliet sukas/palikņa turētāja klāju (K), nospiežot starts ar vienu pogu (L).
11. Paceliet skrāpi (I) ar ar skrāpja pacelšanas/nolaišanas rokturi (J).
12. Pagrieziet aizdedzes atslēgu (A) uz "0".
13. Pārlicinieties, ka mašīna nevar pārvietoties patstāvīgi.

MAŠĪNAS LIETOŠANA (TĪRĪŠANA UN ŽĀVĒŠANA)

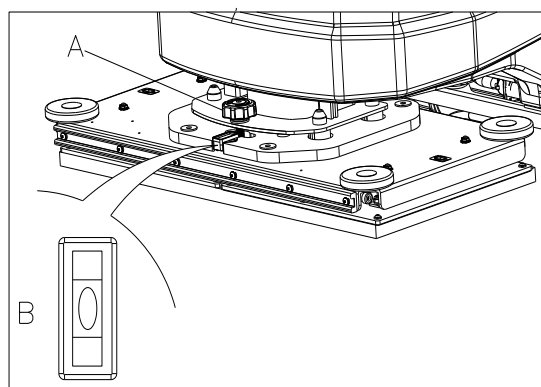
1. Iedarbiniet mašīnu, kā tas aprakstīts iepriekšējos punktos.
2. Nospiežot jebkuru drošības slēdzi (35, attēls 2.), manevrējiet ar mašīnu un sāciet berzt/ žāvēt grīdu.
3. Ja nepieciešams, apstādiniet mašīnu un pēc tam noregulējiet skrāpi atbilstoši sadaļai "Skrāpja līdzsvara regulēšana".



13. attēls

ORBITĀLĀ KLĀJA LĪMEŅA REGULĒŠANA (TIKAI ORBITĀLAJAI MAŠĪNAI)

1. Ievietojiet aizdedzes atslēgu (42) un tad pagrieziet uz "I".
Nolaidiet sukas/palikņa turētāja klāju (25), nospiežot starts ar vienu pogu (49)
2. Pielāgojiet orbitālā klāja līmeni, noregulējot rokturi (A, 14. attēls) tā, lai burbulis atrastos centrā (B, 14. attēls).



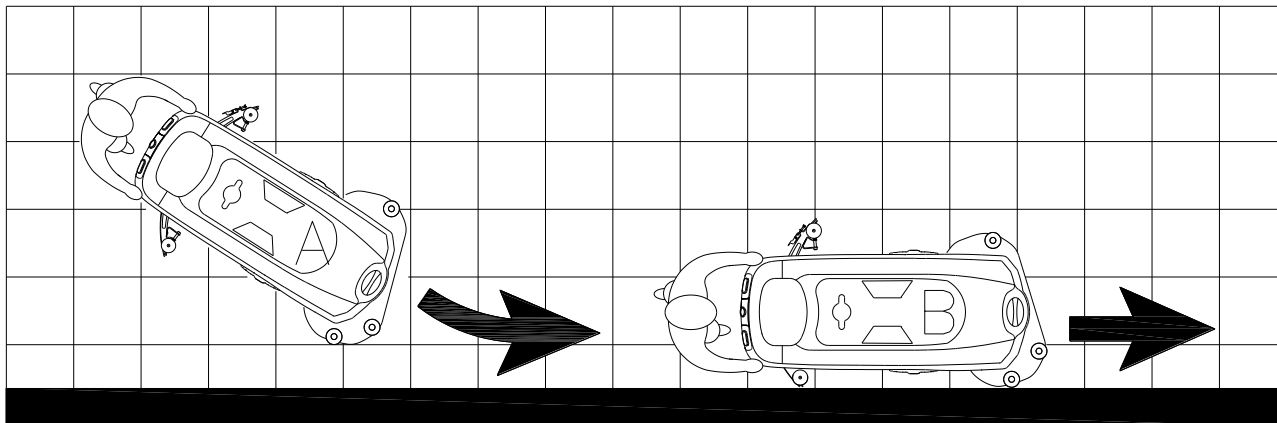
14. attēls

**PIEZĪME**

Pareizai grīdu beršanai/žāvēšanai sienu malās. Ieteicams iet gar sienām ar mašīnas labo pusi (A un B, 15. attēls), kā parādīts attēlā.

**UZMANĪBU!**

Lai izvairītos no grīdas virsmas bojājumiem, kad mašīna apstājas vienā vietā, izslēdziet suku/paliktņu turētājus.



15. attēls

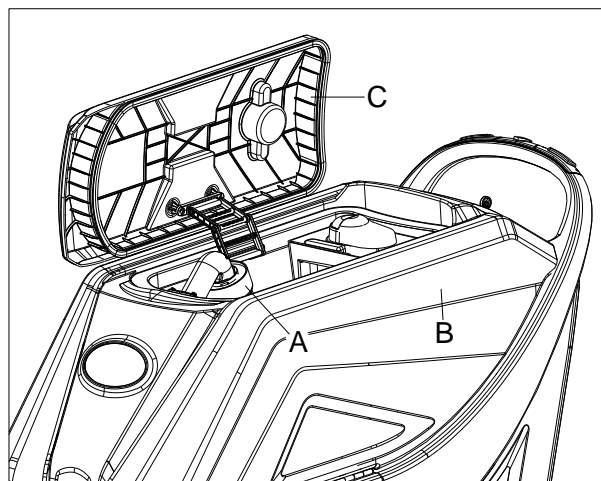
TVERTNES IZTUKŠOŠANA

Automātiska pludiņa slēgšanas sistēma (A, 16. attēls) bloķē putekļsūkšanas sistēmu, kad rekuperācijas ūdens tvertne (B) ir pilna. Putekļsūkšanas sistēmas deaktivizāciju signalizē par pēkšņu putekļsūkšanas sistēmas motora trokšņu frekvences palielināšanos, arī grīda nav nožuvusi.

**UZMANĪBU!**

Ja putekļsūkšanas sistēma nejauši izslēdzas (piemēram, kad pludiņš tiek aktivizēts pēkšņas mašīnas kustības dēļ), lai atsāktu darbību: izslēdziet vakuuma sistēmu, nospiežot slēdzi (50, 3. attēls), pēc tam atveriet pārsegu (C, 16. attēls) un pārbaudiet, vai pludiņš režģa (A) iekšpusē ir nokritis līdz ūdens līmenim. Pēc tam aizveriet pārsegu (C) un ieslēdziet putekļsūkšanas sistēmu, nospiežot slēdzi (50, 3. attēls).

Kad rekuperācijas ūdens tvertne (B, 16. attēls) ir pilna, iztukšojiet to saskaņā ar šo procedūru.



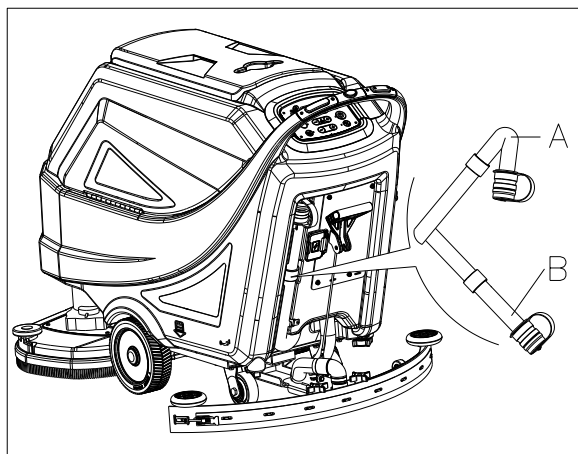
16. attēls

Rekuperācijas ūdens tvertnes iztukšošana

1. Apturiet mašīnu.
2. Paceliet suku/paliktņa turētāja klāju (25, 1. attēls), nospiežot starts ar vienu pogu (49, 3. attēls), vai arī restartējiet mašīnu ar aizdedzes atslēgu (42, 3. attēls).
3. Paceliet skrāpi (11, 1. attēls) ar skrāpja pacelšanas/nolaišanas rokturi (39, 2. attēls).
4. Nekavējoties brauciet ar mašīnu uz likvidācijas vietu.
5. Iztukšojiet rekuperācijas ūdens tvertni izmantojot šļūteni (A, 17. attēls). Pēc tam izskalojiet tvertni (B, 16. attēls) ar tīru ūdeni.

**UZMANĪBU!**

Novadot notekūdeņus, atkritumu uzsūkšanas caurule ir salocīta (A, 17. attēls) un nolaiста zemākā pozīcijā (B, 17. attēls), un pēc tam atveriet putekļsūkšanas caurules vāku, lai atkritumi varētu tikt novadīt ūdeni. Negrieziet putekļsūkšanas cauruli uz augšu, lai nolaiста ūdeni vertikāli. Tas ir paredzēts, lai izvairītos no notekūdens neuzlītu virsū operatoram.



17. attēls

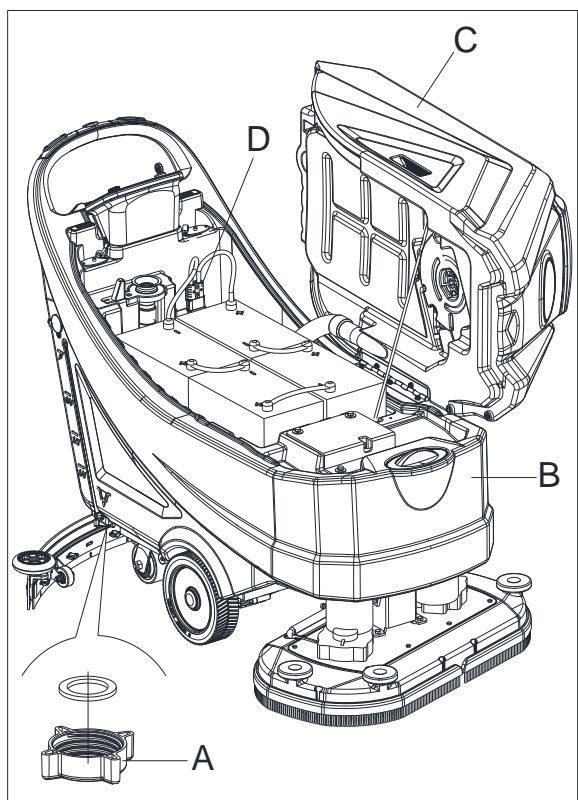
Šķīduma/tīrā ūdens tvertnes iztukšošana

1. Iztukšojiet šķīduma tvertni ar izplūdes vāku (A, attēls 18). Pēc darba izskalojiet tvertni ar tīru ūdeni.

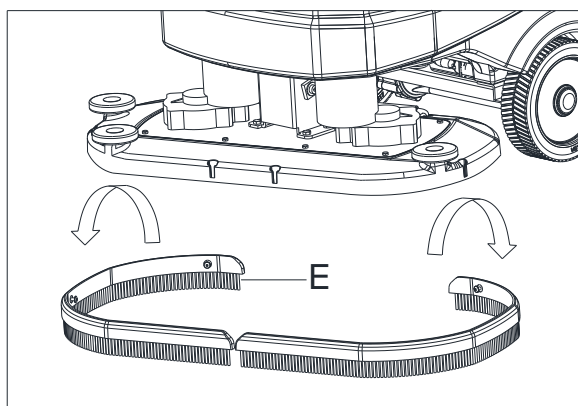
PĒC MAŠĪNAS LIETOŠANAS

Pēc darba, pirms atstājat mašīnu:

1. Noņemiet suku/paliktņu turētājus, nospiežot atbrīvošanas pogu (44, 3. attēls), un notīriet tos (tikai disku mašīnai).
2. Noņemiet dubļusargu (E, 19. attēls) un notīriet to. (tikai disku mašīnai)
3. Noņemiet paliktņi un notīriet to. (tikai orbītas mašīnai)
4. Iztukšojiet tvertnes (B un C, 18. attēls), kā norādīts iepriekšējā nodaļā.
5. Veiciet ikdienas apkopes procedūras (sk. nodaļu Apkope).
6. Uzglabājiet mašīnu tīrā un sausā vietā, paceļot vai noņemot suku/paliktņu turētājus un skrāpi.



18. attēls



19. attēls

MAŠĪNAS UZGLABĀŠANA ILGAI DĪKSTĀVEI

Ja mašīna netiks lietota ilgāk par 30 dienām, rīkojieties šādi:

1. Veiciet procedūras, kas norādītas nodaļā Pēc mašīnas lietošanas.
2. Atvienojiet akumulatora savienotāju (29, 2. attēls).

PIRMAIS LIETOŠANAS PERIODS

Pēc pirmajām 8 stundām pārbaudiet, vai mašīnas stiprinājumi un savienojošās daļas ir pareizi pievilktas, un pārbaudiet, vai redzamās daļas nav nodilušas un vai nav noplūdes.

APKOPE**BRĪDINĀJUMS!**

Pēc mašīnas izslēgšanas un akumulatora lādētāja kabeļa atvienošanas jāveic apkopes procedūras. Turklāt uzmanīgi izlasiet rokasgrāmatā iekļautās drošības nodaļas.

Visas plānotās vai ārkārtas tehniskās apkopes procedūras jāveic kvalificētam personālam vai pilnvarotam servisa centram. Šajā rokasgrāmatā aprakstītas tikai vispārīgās un ierastās apkopes procedūras.

Par citām apkopes procedūrām, kas nav norādītas pēc plānotās apkopes grafika tabulas, lūdzu, skatiet Servisa rokasgrāmatu, ar kuru var iepazīties jebkurā mūsu uzņēmuma servisa centrā.

PLĀNOTĀS APKOPES TABULA**UZMANĪBU!**

Procedūra, kas apzīmēta ar (1), jāveic, kad mašīna izmantota pirmās 8 stundas. Procedūra, kas apzīmēta ar (2), jāveic servisa centram ko sertificējis mūsu uzņēmums.

Procedūra	Katru dienu, pēc katras lietošanas reizes	Katru nedēļu	Reizi pusgadā	Reizi gadā
Akumulatora uzlāde				
Skrāpja tīrīšana				
Suku/palikņa turētāja tīrīšana				
Tvertnes tīrīšana				
Tvertnes blīvēšanas sloksnes pārbaude				
Pludiņa lodīšu filtra tīrīšana				
Palikņu tīrīšana				
Dubļusarga tīrīšana (tikai disku mašīnai)				
Skrāpja asmens pārbaude un nomaina				
Ūdens filtru tīrīšana				
Sūkšanas filtru tīrīšana				
WET akumulatora šķidruma līmeņa pārbaude				
Skrūvju un uzgriežņu hermētiskuma pārbaude			(1)	
Nolaist izolatoru (tikai orbītas mašīnai)			(2)	
Sukas motora oglekļa sukas pārbaude vai nomaina				(2)
Putekļsūkšanas motora oglekļa sukas pārbaude vai nomaina				(2)
Piedziņas sistēmas motora oglekļa sukas pārbaude vai nomaina				(2)

INLEIDING



LET OP!

Enige algemene en gedetailleerde informatie is niet opgenomen in deze handleiding. Raadpleeg de SNELSTARTGIDS op de meegeleverde cd-rom die door Adobe® Reader® wordt gelezen.



OPMERKING

De cijfers tussen haakjes verwijzen naar de onderdelen weergegeven in het hoofdstuk over de Machinebeschrijving.

DOEL VAN DE GIDS EN INHOUD

In deze snelstartgids vindt de gebruiker alle basisinformatie om het apparaat correct te gebruiken. Voor informatie over technische kenmerken, bediening, stilstand van het apparaat, reserveonderdelen en veiligheidsvoorwaarden, enz. kunt u de SNELSTARTGIDS op de meegeleverde CD-ROM raadplegen.

Alvorens enige procedure aan de machine uit te voeren, moeten de bedieners en gekwalificeerde technici de gebruiksaanwijzing lezen. Neem contact op met ons bedrijf in geval van twijfel over de interpretatie van de instructies of voor meer informatie.

HOE DEZE SNELSTARTGIDS TE BEWAREN

De snelstartgids moet worden bewaard in de buurt van de machine, in een geschikte tas, uit de buurt van vloeistoffen en andere stoffen die kunnen leiden tot schade aan het document.

VERKLARING VAN OVEREENSTEMMING

Verklaring van overeenstemming wordt geleverd met de machine en verklaart dat de machine in overeenstemming is met het geldende recht.



OPMERKING

De kopieën van de oorspronkelijke verklaring van overeenstemming worden geleverd samen met de machinedocumentatie.

ACCESSOIRES EN ONDERHOUD

Alle noodzakelijke gebruiks-, onderhouds- en reparatieprocedures moeten worden uitgevoerd door gekwalificeerd personeel, of door een door ons bedrijf aangewezen dienstcenter. ALLEEN geautoriseerde reserveonderdelen en accessoires mogen gebruikt worden.

Neem contact op met de klantendienst van ons bedrijf voor elke service of aankoop van accessoires of reserveonderdelen indien nodig.

VERANDERING EN VERBETERING

We zijn toegewijd aan de continue verbetering van onze producten, het bedrijf behoudt het recht om de machinewijzigingen en verbeteringen uit te voeren zonder dit bijkomend te moeten meedelen.

TOEPASSINGSGEBIED

De scrubber wordt gebruikt voor commercieel en industrieel gebruik. De machine is geschikt voor het reinigen van een gladde en stevige vloer terwijl gebruikt door gekwalificeerd personeel in veilige omstandigheden. De machine is niet geschikt voor gebruik buitenshuis, tapijten of reiniging van ruwe vloeren.

IDENTIFICATIEGEGEVENS VAN DE MACHINE

Het serienummer van de machine en de naam van het model zijn gemarkeerd op het seriële label.

Deze informatie is nuttig. Gebruik de volgende tabel om de identificatiegegevens van de machine te noteren wanneer reserveonderdelen vereist worden voor de machine.

MODEL MACHINE.....
SERIENUMMER MACHINE.....

VERVOER EN UITPAKKEN

Wanneer de vervoerder de machine levert moet er gecontroleerd worden of de verpakking en de machine zijn onbeschadigd zijn. Als er een beschadigd wordt vastgesteld moet de vervoerder hiervan op de hoogte gesteld worden voordat de goederen worden aanvaard om het recht op vergoeding voor schade te behouden.

Volg strikt de aanwijzingen op de verpakking bij het uitpakken van de machine.

Controleer de verpakking om ervoor te zorgen de volgende items zijn opgenomen:

1. Technische documentatie snelstartgids
2. Onderdelenlijst (*).
3. Aansluiten van de accu.
4. Handleiding van de acculader (indien geïnstalleerd) (*)

VEILIGHEID

De volgende symbolen wijzen op potentieel gevaarlijke situaties. Lees altijd deze informatie aandachtig en nemen alle nodige voorzorgsmaatregelen ter bescherming van mensen en bezittingen.

ZICHTBARE SYMBOLEN OP DE MACHINE



WAARSCHUWING!

Lees alle instructies zorgvuldig door voordat u enige actie uitvoert met de machine.



WAARSCHUWING!

Was de machine met directe of onder druk staande waterstralen.



WAARSCHUWING!

Gebruik de machine niet op een helling met een hoek die de gedefinieerde specificatie overschrijdt.

SYMBOLEN AANGEGEVEN OP DE SNELSTARTGIDS



GEVAAR!

Het geeft aan dat een gevaarlijke situatie bestaat met risico op overlijden voor de gebruiker.



WAARSCHUWING!

Dit geeft aan dat er een potentieel risico bestaat op verwonding voor mensen.



LET OP!

Dit geeft een waarschuwing of opmerking gerelateerd aan belangrijke of nuttige functies. Besteed aandacht besteden aan de alinea's die voorzien zijn van dit symbool.



OPMERKING

Dit geeft een opmerking weer gerelateerd aan belangrijke of nuttige functies.



OVERLEG

Dit geeft aan dat u de snelstartgids moet raadplegen voordat u een procedure uitvoert.

ALGEMENE VEILIGHEID INSTRUCTIE

Specifieke waarschuwingen en waarschuwingen ter informatie over de potentiële verwondingen voor mensen en schade aan machines worden hieronder weergegeven.



GEVAAR!

- Deze machine moet worden bediend door opgeleide en geautoriseerde medewerkers volgens richtlijnen uit de handleiding.
- Voor elke reinigings-, onderhouds-, reparatie- of vervangingsprocedure moeten alle instructies aandachtig gelezen worden, controleer dat de machine **UITGESCHAKELD** is en verbreek het contact met de accuconnector.
- Gebruik de machine niet in de buurt van giftige, gevaarlijke, ontvlambare en/of explosieve poeders, vloeistoffen of damp. Deze machine is niet geschikt voor het verzamelen van gevaarlijke poeders.
- Draag geen juwelen bij het werken in de buurt van elektrische onderdelen.
- Werk niet onder de opgeheven machine zonder dat het ondersteund wordt met veiligheidssteunen.
- Bij het gebruik van loodaccu's (NATTE type) kunnen deze ontvlambaar gas uitstoten bij normaal gebruik zorg ervoor dat vonken, vlammen, rokende, gloeiende en brandende materialen uit de buurt van de accu's worden gehouden.
- Bij het opladen van loodaccu's (NATTE type) kan waterstofgas vrijkomen die explosies kunnen veroorzaken. Er moet voor gezorgd worden dat de oplaadruiimte goed geventileerd is en dat er geen open vuur aanwezig is.



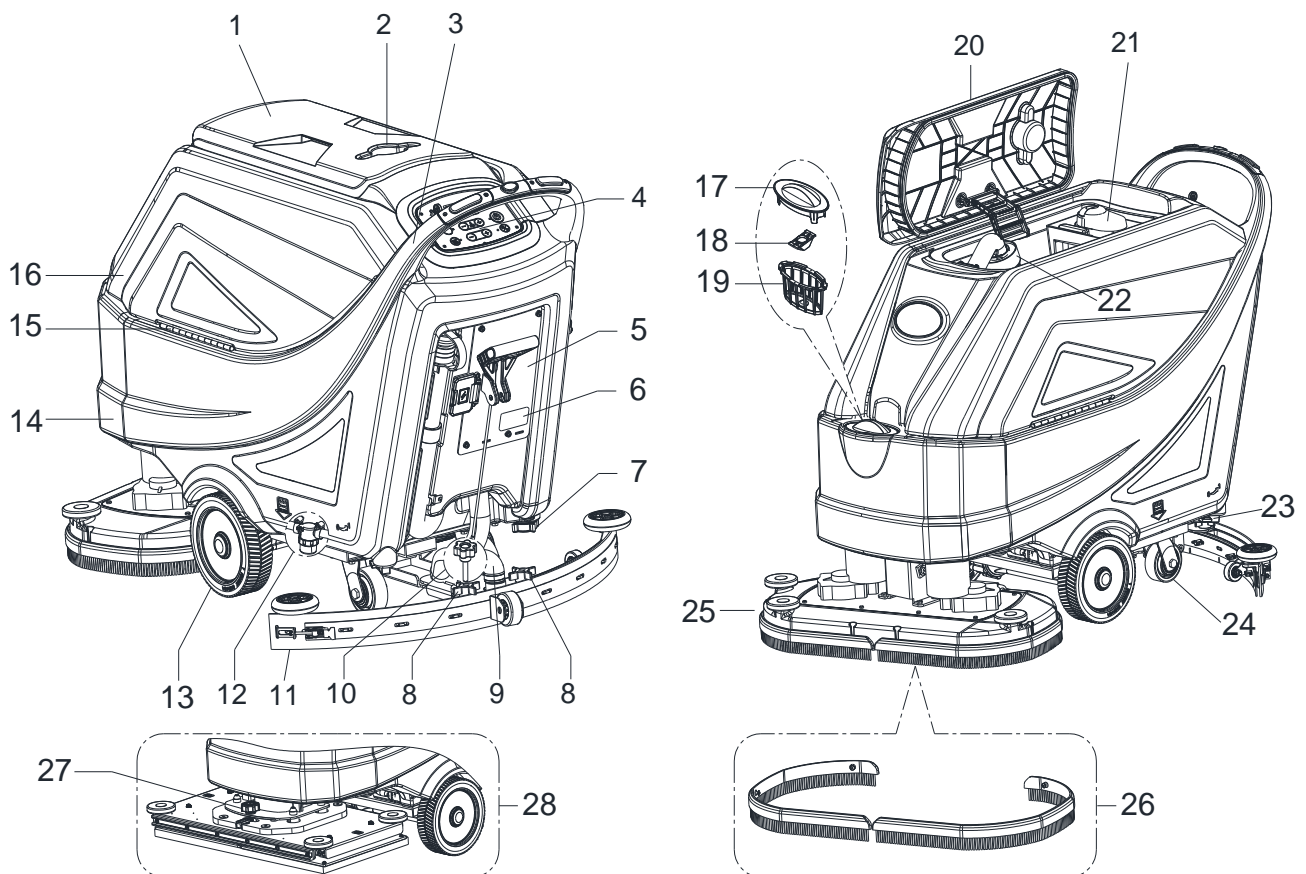
WAARSCHUWING!

- Deze machine is bestemd voor **COMMERCIEEL GEBRUIK**, bijvoorbeeld in hotels, scholen, ziekenhuizen, fabrieken, winkels, kantoren en verhuurbedrijven.
- Machines die onbeheerd worden achtergelaten, moeten worden beveiligd tegen onbedoelde verplaatsing.
- Om onbevoegd gebruik van de machine te voorkomen, moet de stroombron worden uitgeschakeld of afgesloten, bijvoorbeeld door de sleutel van de hoofdschakelaar of de contactsleutel te verwijderen.
- Controleer de machine zorgvuldig vóór elk gebruik. Controleer voor gebruik of alle onderdelen goed gemonteerd zijn. Of het kan schade aan mensen en voorwerpen veroorzaken.
- Voordat u de acculader gebruikt moet u ervoor zorgen dat de waarden van de frequentie en de spanning aangegeven op het label van met het machine serienummer overeenkomen met die van de netspanning.
- Verplaats het toestel nooit door te trekken aan het oplaadsnoer. Geleid de kabel nooit via een gesloten deur, scherpe randen of hoeken. Gebruik de machine niet met de verbonden oplaadkabel. Houd de oplaadkabel voor de batterij uit de buurt van hete oppervlakken.
Laad de batterijen niet op als de kabel van de oplader of de stekker beschadigd zijn.
- Om het risico van brand, elektrische schokken of letsel te beperken moet er gecontroleerd worden of machine is uitgeschakeld.
- Gebruik of bewaar de machine binnenshuis in droge omstandigheden, het is niet toegestaan voor gebruik buitenshuis.
- De opslag- en werkt temperatuur van de machine moet tussen 0 °C en +40 °C liggen en de luchtvochtigheid moet tussen de 30% - 95% liggen.
- Gebruik de machine niet op hellingen met een hoek die de specificaties overschrijdt.
- Volg bij het gebruik en de behandeling van vloerreinigingsmiddelen de instructies op de etiketten van de wasmiddelflessen en draag geschikte handschoenen en andere beschermende middelen.
- Gebruik borstels en pads die bij de machine zijn geleverd of in de handleiding zijn aangegeven. Het gebruik van andere borstels of pads kan de veiligheid beperken.
- Bij storingen aan de machine dient u te controleren of dit eventueel te wijten is aan gebrekkig onderhoud. Indien nodig verzoek om bijstand van geautoriseerd personeel of een erkend Service Center.
- Neem alle nodige voorzorgsmaatregelen om te voorkomen dat haren, sieraden en losse kleren in de bewegende delen van de machine verstrikt raken.
- Gebruik de machine niet in bijzonder stoffige omgevingen.

- Was de machine met directe of onder druk staande waterstralen of corrosieve stoffen.
- Stoot niet tegen planken of steigers aan, vooral niet als er gevaar bestaat voor vallende voorwerpen.
- Plaats geen containers met vloeistoffen op de machine, gebruik de betreffende blikkenhouder.
- Om beschadiging van de vloer te voorkomen, mag u de borstel/pads niet laten werken terwijl de machine stilstaat.
- Gebruik in geval van brand een droge poederblusser. Gebruik geen vloeibare brandblussers.
- Verwijder of wijzig de stickers van de machine niet.
- Knoei niet met de veiligheidsvoorzieningen van de machine en volg nauwkeurig de algemene onderhoudsinstructies.
- Let tijdens het transport van de machine op wanneer de temperatuur onder het vriespunt ligt. Het water in de vuilwatertank en de slangen kan bevriezen en leiden tot ernstige schade aan de machine.
- Als reserveonderdelen moeten worden vervangen, bestel dan ORIGINELE-reserveonderdelen bij een erkende dealer of detailhandelaar.
- Breng de machine terug naar het Service Center als deze niet naar behoren werkt na buiten te zijn geplaatst of in het water te zijn gevallen.
- Om een goede en veilige werking van de machine te garanderen, moet het geplande onderhoud dat in het desbetreffende hoofdstuk van deze handleiding wordt getoond, worden uitgevoerd door bevoegd personeel of een geautoriseerd servicecentrum.
- De machine moet op de juiste wijze worden afgevoerd vanwege de aanwezigheid van giftige schadelijke materialen (accu's, enz.), die onderworpen zijn aan normen die in speciale centra moeten worden afgevoerd (zie hoofdstuk "Sloop").
- Deze machine is alleen bedoeld als reinigingsgereedschap, niet voor andere doeleinden.
- Houd de openingen altijd vrij van stof, haren en andere vreemde voorwerpen die de luchtstroom kunnen verminderen. Gebruik de machine niet als de openingen zijn verstopt.
- Gebruik de machine alleen op plaatsen waar een goede verlichting aanwezig is.
- Deze machine is niet bedoeld voor gebruik door personen (inclusief kinderen) met verminderde fysieke, zintuiglijke of mentale capaciteiten, of door personen met gebrek aan ervaring en kennis.
- Bij gebruik in de buurt van kinderen dient u goed op te letten.
- Kinderen moeten onder toezicht staan om ervoor te zorgen dat ze niet met de machine spelen.
- Zorg ervoor dat u tijdens het gebruik van deze machine geen schade aan personen of voorwerpen veroorzaakt.
- Reiniging en onderhoud mogen niet zonder toezicht door kinderen worden uitgevoerd.

BESCHRIJVING VAN DE MACHINE MACHINESTRUCTUUR (zoals weergegeven in Figuur 1)

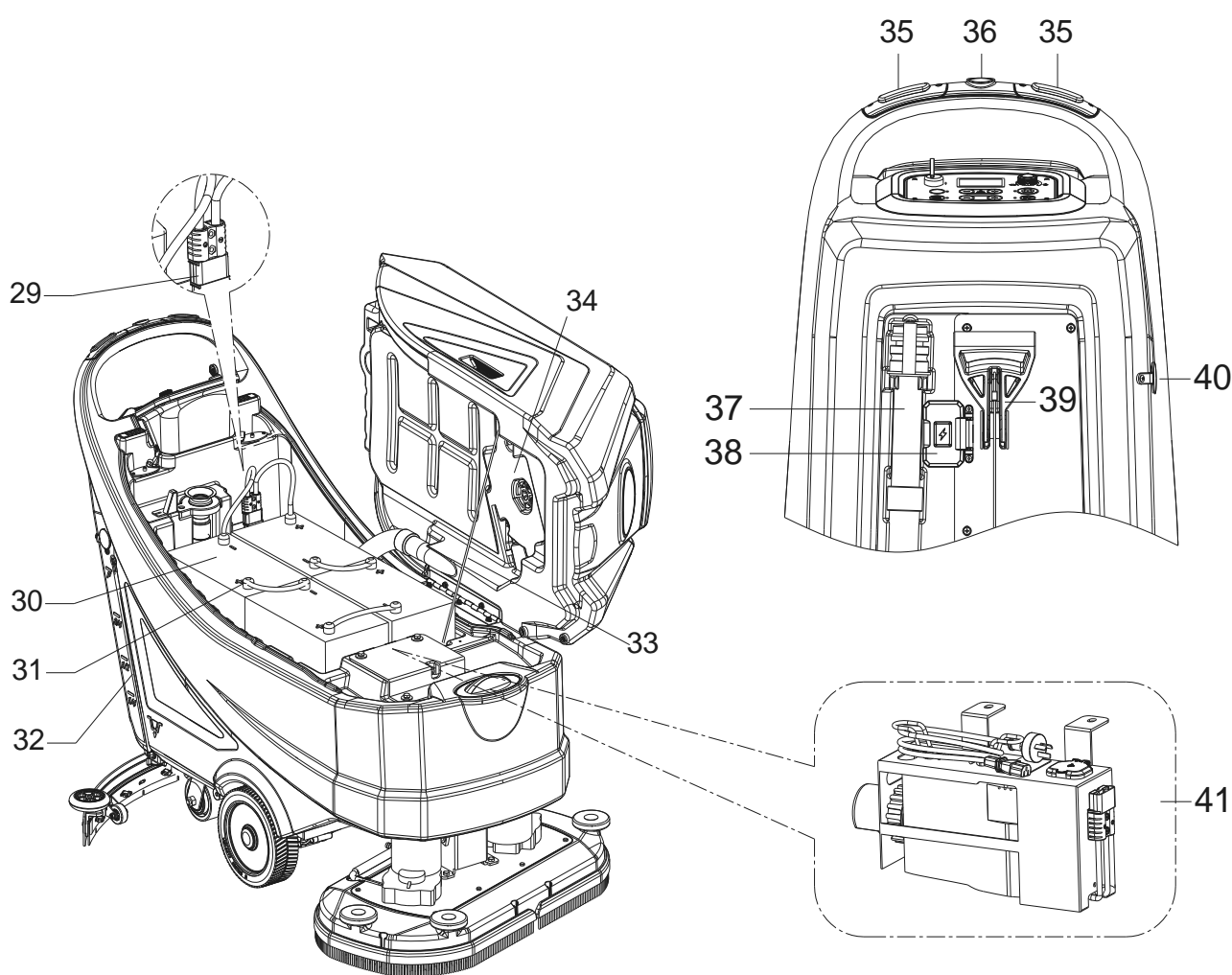
- | | |
|---|--|
| 1. Deksel vuilwatertank | 15. Scharnier |
| 2. Tankhouder | 16. Vuilwatertank |
| 3. Stuur | 17. Filterdeksel |
| 4. Bedieningspaneel | 18. Vuller slanghouder |
| 5. Bedieningsbord | 19. Filtersteun |
| 6. Serienummerplaat/technische gegevens | 20. Tankklep pakking |
| 7. Uitlaatafdekking | 21. Afvalverzamelbox |
| 8. Knoppen voor zuigmond | 22. Filter vlotterarm |
| 9. Vacuümslang voor zuigmond | 23. Oplossing/schoon water kraan |
| 10. Regelknop voor het balanceren van de zuigmond | 24. Achteruitwielen |
| 11. Zuigmond | 25. Borstelsysteem (alleen voor schijfmachine) |
| 12. Oplossingsfilter | 26. Spatbord |
| 13. Aandrijfwielen | 27. Instelknop orbitale kop |
| 14. Oplossingstank | 28. Orbitaal systeem (alleen voor orbitale machines) |



Figuur 1

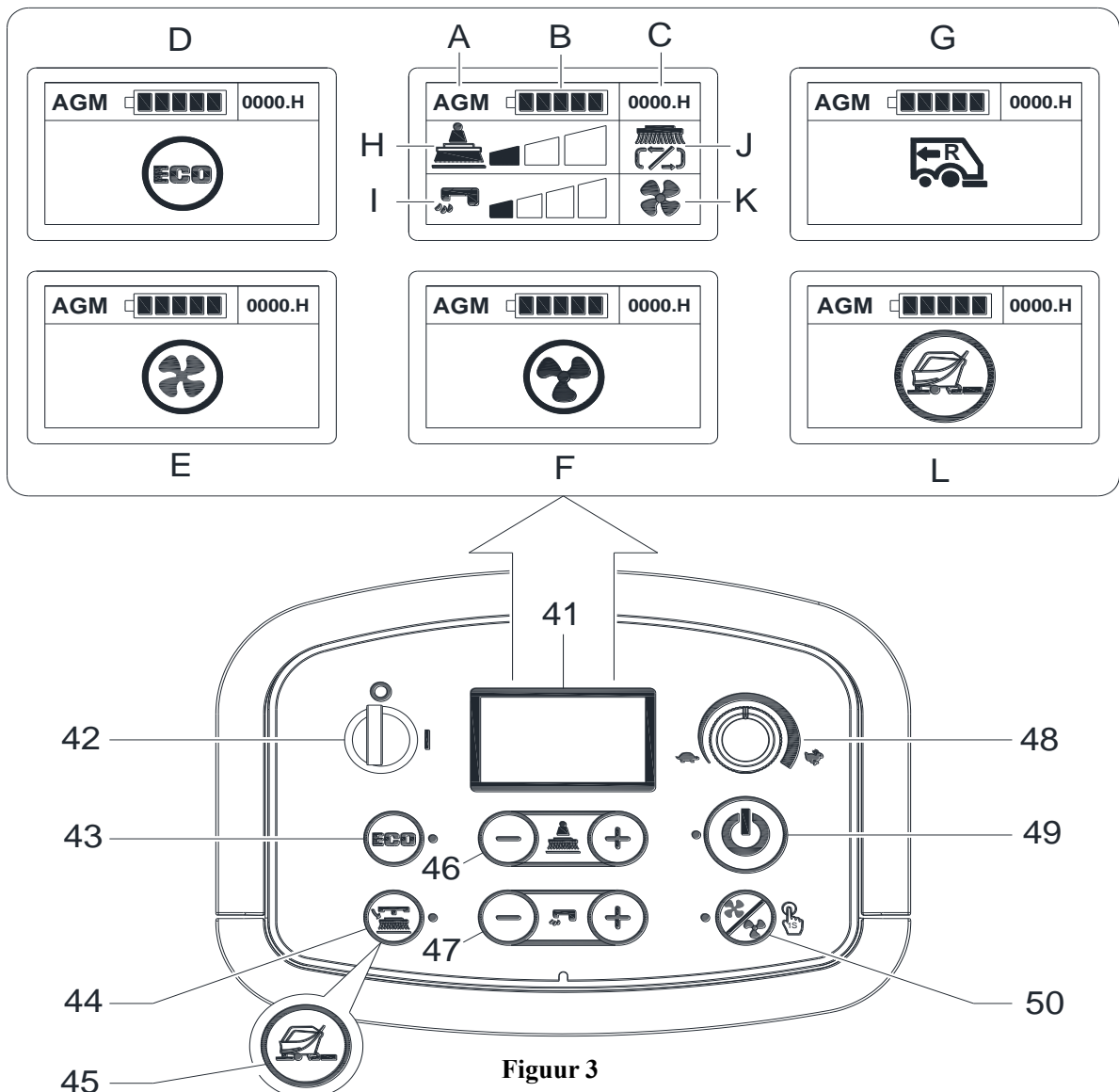
MACHINESTRUCTUUR (zoals weergegeven in Figuur 2)

- | | |
|-----------------------------|---|
| 29. Accu-aansluiting (rood) | 36. Machine achteruitrijshakelaar |
| 30. Accu's (*) | 37. Vuilwater afvoerslang |
| 31. Accudoppen | 38. Veiligheidsafdekking van de oplaadstekker |
| 32. Waterstandindicator | 39. Handgreep voor het opheffen of verlagen van de zuigmond |
| 33. Tankveiligheidskabel | 40. Zijvuldop oplossingstank |
| 34. Vacuümsysteem | 41. Ingebouwde lader (*) |
| 35. Veiligheidsschakelaar | (*): Optioneel |

**Figuur 2**

BEDIENINGSBORD (zoals weergegeven in Figuur 3)

41. Multifunctioneel display
Weergegeven items:
- A) Type accu
 - B) Laadniveau van de accu
 - C) Gewerkte uren
 - D) ECO-modus
 - E) Vacuüm in normale modus
 - F) Vacuüm stille modus
 - G) Achteruit-modus
 - H) Extra druk actief
 - I) Debiet reinigingsmiddeloplossing
 - J) Borstel modus
 - K) Vacuüm modus
 - L) Vloervoorbereidingsmodus
42. Contactsleutel (0 - I)
43. Toets ECO-modus
- Led aan/onder functie geactiveerd
 - Waterdebiet op minimum (niveau 1)
 - Druk op minimum (niveau 1)
 - Vacuüm in stille modus
44. Ontgrendelingsknop voor borstel/padhouder (alleen voor schijfmachine)
- Knipperend led-vrijgavesysteem geactiveerd
45. Vloervoorbereidingsknop (alleen voor orbitaal werkende machines)
- Rijsnelheid vooraf ingesteld op 1 km/uur
 - Led aan/onder functie geactiveerd
 - Waterdebiet op minimum (niveau 1)
 - Druk op maximum (niveau 3)
 - Vacuüm in normale modus
46. Instelknop borsteldruk
47. Instelknop debiet
48. Snelheidsregelaar
49. Startknop
- Led aan/onder functie geactiveerd
 - Watersysteem minimum (niveau 1)
 - Druk op minimum (niveau 1)
 - Vacuümsysteem normaal
50. Instelknop vacuümsysteem (druk 1 seconde op de knop om te activeren)
- Led aan-normale modus
 - Knipperende led-stille modus



Figuur 3

TECHNISCHE PARAMETERS

Type parameter	Eenheden	Model		
		AS6690T	AS7690T	AS7190TO
Volume oplossingtank	L / Gal	85 L / 22 Gal.		
Volume vuilwatertank	L / Gal	90 L / 24 Gal.		
Machinelengte	mm/Inches	1490 mm/ 59 Inches	1550mm/ 61 Inches	1490 mm/ 59 Inches
Machinebreedte met zuigmond	mm/Inches	830 mm / 33 Inches	950 mm / 38 Inches	
Machinebreedte zonder zuigmond	mm/Inches	730 mm/29 Inches	830mm/33 Inches	750mm/30 Inches
Machinehoogte	mm/Inches	1020 mm / 40,2 Inches		
Werkbreedte	mm/Inches	660 mm / 26 Inches	760 mm / 30 Inches	710 mm / 28 Inches
Diameter van het aandrijfwiel	mm/Inches	230 mm / 9 Inches		
Specifieke druk van het aandrijfwiel op de vloer	N/mm ²	0,67 N/mm ²		
Diameter achterwiel	mm/Inches	101 mm / 4 Inches		
Specifieke druk van het achterwiel op de vloer	N/mm ²	0,82 N/mm ²		
Diameter borstel/pad	mm/Inches	330 mm x 2 / 13 Inches x 2	380mm x 2 / 15 Inches x 2	355x710 mm / 14x28 Inches
Borstel/pad druk (Max)	Kg/Lbs.	32 Kg /71 Lbs 41 Kg /90 Lbs 49 Kg /108 Lbs	35 Kg /77 Lbs 43 Kg /95 Lbs 51 Kg /112 Lbs	42 Kg / 93 Lbs 54 Kg / 120 Lbs 65 Kg / 143 Lbs
Oplossingsstroom (max.) per instelling	L / Gal per minuut	(0,9/1,5/2,2/3) Liter (0.24/0.39/0.58/0.79) Gallons		(0,6/1,1/1,9/2,5) Liter (0.16/0.29/0.5/0.66) Gallons
Geluidsdrukniveau	dB (A)	69 ± 3 dB (A)		
Geluidsdrukniveau in de ECO-modus of in de stille modus	dB (A)	65 ± 3 dB (A)		
Handgreep trillingsniveau (max.)	m/s ²	< 2,5 m/s ²		
Klimvermogen (max.)	% hellingshoek	2%		
Min. bocht	cm/Inches	155cm/61 Inches	165 cm/65 Inches	160 cm/63 Inches
Aandrijfmotor vermogen	Watt / H.P.	250 W / 0,33 hp		350 W / 0,47 hp
Werksnelheid	Km / Miles per uur	0 - 4,0 Km / 0 - 2,5 Miles per uur		0 - 3, 2 Km / 0 - 2,0 Miles per uur
Voorwaartse snelheid	Km / Miles per uur	0 - 4,0 Km / 0 - 2,5 Miles per uur		
Achteruitgangssnelheid	Km / Miles per uur	0 - 2,0 Km / 0 - 1,25 Miles per uur		
Vacuüm motorvermogen	Watt / H.P.	500 W / 0,66 hp		
Vacuümcapaciteit	mm/In aan H ₂ O	1500 mm / 60 In aan H ₂ O		
Vacuümcapaciteit in de ECO-modus of in de stille modus	mm/In aan H ₂ O	900 mm / 35 In aan H ₂ O		
Borstel motorvermogen	Watt / H.P.	500 x 2 Watt / 0,66 x 2 HP		750 Watt / 1,0 HP
Borstelsnelheid in normale modus	TPM	200 TPM		2200 TPM
Borstelsnelheid in ECO-modus	TPM	160 TPM		1600 TPM
IP-klasse	IP	IP24		
Afmetingen accuvak met externe lader (L x B x H)	mm/Inches	(620 x 385 x 390) mm / 24,4 x 15,1 x 15,3 Inches		
Afmetingen accuvak met ingebouwde lader (L x B x H) (*)	mm/Inches	(535 x 385 x 390) mm / 21 x 15,1 x 15,3 Inches		
Spanning	DC	24 V		
Accu's (*)	Ah	N.v.t.		
Levensduur van de accu (standaard accu's) (*)	Uren	Tot 4 uur		
Ingebouwde lader (*)	Volt/Amp	24V 25A		
Productiviteit (max.)	m ² /h	2640 m ² /h	3040 m ² /h	2272 m ² /h
Machinengewicht met lege tanks (zonder accu's)	Kg/Lbs.	135 Kg / 298 Lbs.	138 Kg/304 Lbs.	148 Kg/326 Lbs.
Maximum bruto voertuiggewicht (GVW)	Kg/Lbs.	347 Kg / 765 Lbs.	350 Kg / 772 Lbs.	360 Kg / 794 Lbs.
Verzendgewicht	Kg/Lbs.	202 Kg / 444 Lbs.	205 Kg / 451 Lbs.	215 Kg / 473 Lbs.
Verpakkingsafmetingen (L x B x H)	mm/Inches	(1620 x 810 x 1200 mm) / (64 x 32 x 48 Inches)	(1660 x 910 x 1200 mm) / (66 x 36 x 48 Inches)	

(*) : Optioneel

WERKINGSGIDS

**WAARSCHUWING!**

Op sommige plaatsen op het toestel zijn er zelfklevende plaatjes aangebracht die het volgende aangeven:

- GEVAAR!
- WAARSCHUWING!
- LET OP!
- OVERLEG

Tijdens het lezen van deze handleiding moet de gebruiker bijzondere aandacht besteden aan de symbolen getoond op de plaatjes. Bedek deze plaatjes niet voor welke reden dan ook niet en vervang deze onmiddellijk indien beschadigd.

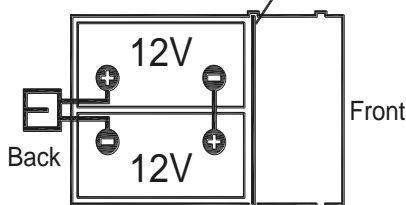
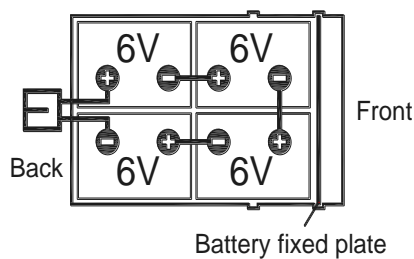
ACCU CONTROLE/INSTELLING OP EEN NIEUW TOESTEL

**WAARSCHUWING!**

De elektrische onderdelen van de machine kunnen ernstig worden beschadigd als de accu's verkeerd geïnstalleerd of aangesloten zijn. De accu's moeten door bevoegd onderhoudspersoneel worden geïnstalleerd. Stel de functie van het elektronische paneel en de ingebouwde acculader in volgens het type gebruikte accu's (NATTE of GEL/AGM-accu's). Controleer de accu's voor de installatie op beschadigingen. Ontkoppel de accu-connector en de aansluiting voor de acculader. Hanteer de accu's met de grootste zorg. Installeer de accu-terminalbeschermingafdekking verstrekt met de machine.

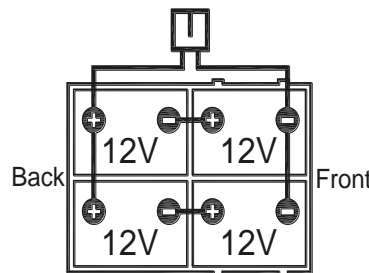
Accu's die al op de machine zijn geïnstalleerd

1. Zorg ervoor dat de accuconnector (29, Figuur 2) is aangesloten.
2. Wanneer u de machine voor het eerst gebruikt met nieuwe accu's, is u een volledige laadcyclus nodig (zie de procedure in het hoofdstuk Onderhoud).

**Figuur 4****OPMERKING**

De machine heeft twee 12V-accu's of vier 6V-accu's nodig, aangesloten volgens het schema (Figuur 4).

Plaats de vaste plaat van de accu op de juiste wijze (Figuur 4).

**Zonder accu's**

1. Koop geschikte accu's (zie de paragraaf "Technische gegevens"). Voor de keuze en installatie van de accu's kunt u terecht bij gekwalificeerde batterijverkoopers.
2. Configureer de machine volgens het type accu's dat geïnstalleerd is zoals aangegeven in de paragraaf "Toets supergebruiker" van het hoofdstuk "Onderhoud".

INSTALLATIE VAN DE ACCU EN ACCU TYPE-INSTELLING (WET OR GEL/AGM OR DIS OR ENES)

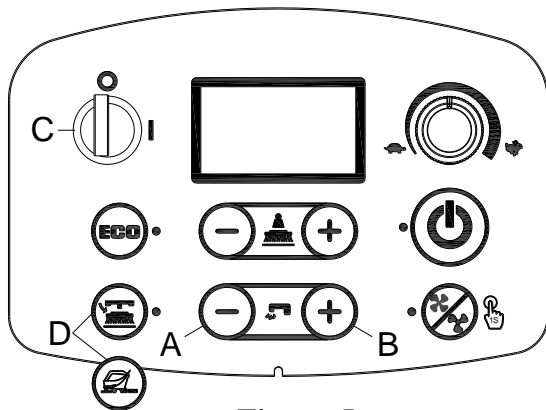
Accu installeren

1. Open het deksel van de vuilwatertank (1, Figuur 1) en controleer of de vuilwatertank (16) leeg is; anders moet deze met de afvoerslang worden geleegd. (37, Figuur 2)
2. Sluit het deksel van de vuilwatertank (1, Figuur 1).
3. Til de vuilwatertank (16, Figuur 1) voorzichtig omhoog.
4. De machine wordt geleverd met kabels die geschikt zijn voor het installeren van twee 12V accu's of vier 6V accu's. Plaats de accu's voorzichtig in de houder en installeer ze dan correct. Plaats de vaste plaat van de accu op de juiste wijze (Figuur 4).
5. Leid en installeer de accukabel zoals aangegeven in Figuur 4 en draai vervolgens de moer van elke accuklem voorzichtig vast.
6. Plaats de beschermkap op elke klem en sluit vervolgens de accuconnector aan (29, Figuur 2).
7. Laat de vuilwatertank zorgvuldig zakken (16, Figuur 1).

Instelling van het accutype (WET OR GEL/AGM OR DIS OR ENES)

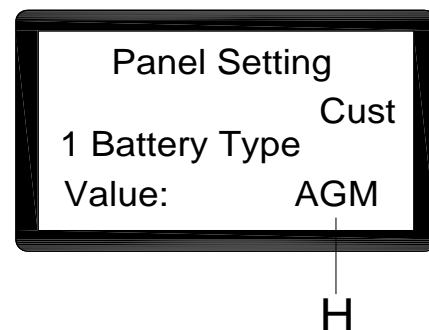
Toegang tot selectie van het accutype

Afhankelijk van het type accu (NAT of GEL/AGM), stelt u de machine als volgt in:



Figuur 5

Access to select battery mode



Figuur 6

1. Druk tegelijkertijd op de watertoevoerknop "+" (A, Figuur 5) en "-" (B, Figuur 5).
2. Steek de contactsleutel (C, Figuur 5) in en draai deze naar "I".
3. Enkele seconden later komt u op het scherm voor het selecteren van het accutype (Figuur 6)
4. Druk op de watertoevoerknop "-" (A, Figuur 5) en "+" (B, Figuur 5) om het accutype te selecteren (H, Figuur 6).
5. Druk op de ontgrendelknop voor schijfversie of de vloer voorbereidingsknop voor orbitale versie (D, Figuur 5), 3 seconden later verschijnt: "Update OK", ter bevestiging van de keuze, schakel in om opnieuw op te starten. (C, Figuur 5)

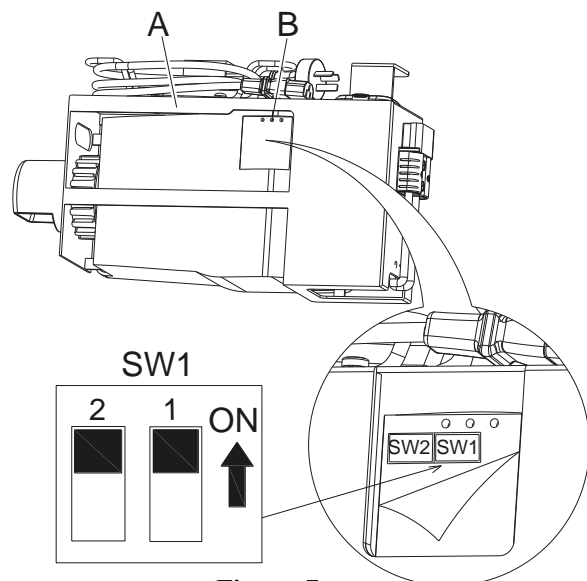
Instelling van de acculader (alleen voor ingebouwde lader, indien geïnstalleerd)



WAARSCHUWING!

Stel de lader niet in als u hiervoor niet bent opgeleid.

1. Zet de machine uit en demonteer de ingebouwde lader (A, Figuur 7) van de machine. Verwijder het etiket op de kap van de lader (B, Figuur 7). U vindt 2 sets van dipswitches (SW1 en SW2) in de lader.
2. Alleen de set dipswitch SW1 (aan de linkerkant) heeft effect op de keuze van de laadcurve overeenkomstig de onderstaande tabel.



Figuur 7

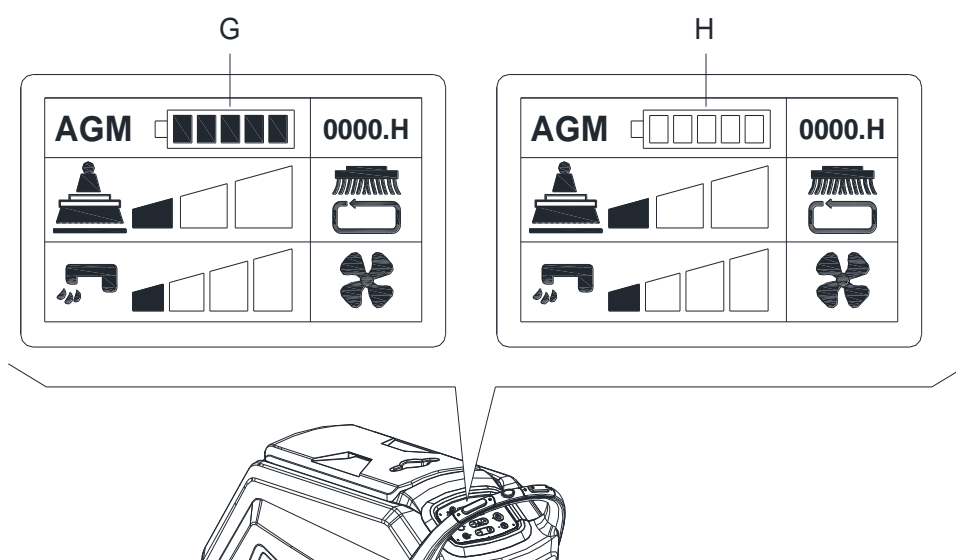
DP1	DP2	LAADCURVE
AAN	UIT	IUIa-ACD voor lood-zuur (natte) accu's
UIT	UIT	IUIa-GEL voor gelaccu's van Exide Sonnenschein
UIT	AAN	IUU0-GEL voor HAZE-gel- en AGM-accu's van andere fabrikanten.
AAN	AAN	IUIUa-AGM voor Discover AGM-accu's

Opladen van de batterij

Laad de accu's volledig op (zie de werkwijze in het hoofdstuk Onderhoud).

Ontladen accu's

Wanneer de laadindicator vol is (G, Figuur 8), functioneert de machine normaal. Wanneer de laadindicator laag is (H, Figuur 8), moeten de accu's worden opgeladen. Enkele seconden nadat een laag niveau op de laadindicator is weergegeven, wordt de borstel/padhouder automatisch uitgeschakeld, terwijl het aandrijfsysteem ingeschakeld blijft. Rijd de machine onmiddellijk naar de aangewezen oplaadplaats.



Figuur 8



LET OP!

Als de accu's ontladen zijn, laad ze dan zo snel mogelijk op, omdat die toestand hun levensduur verkort. Controleer ten minste eenmaal per week of de accu is opgeladen.

BORSTEL/PADHOUDER INSTALLEREN EN VERWIJDEREN (alleen voor schijfmachine)**OPMERKING**

Installeer ofwel borstel (A, Figuur 9) of de padhouder (B en C, Figuur 9) volgens het type vloer die moet worden gereinigd.

**LET OP!**

Voordat u de borstel of padhouder installeert of verwijdert, moet u zich ervan vergewissen dat alle schakelaars op de machine uitgeschakeld zijn en dat de zuigmond van de vloer is getild. De bediener moet uitgerust zijn met geschikte persoonlijke beschermingsmiddelen, zoals handschoenen, om de kans op ongelukken te beperken.

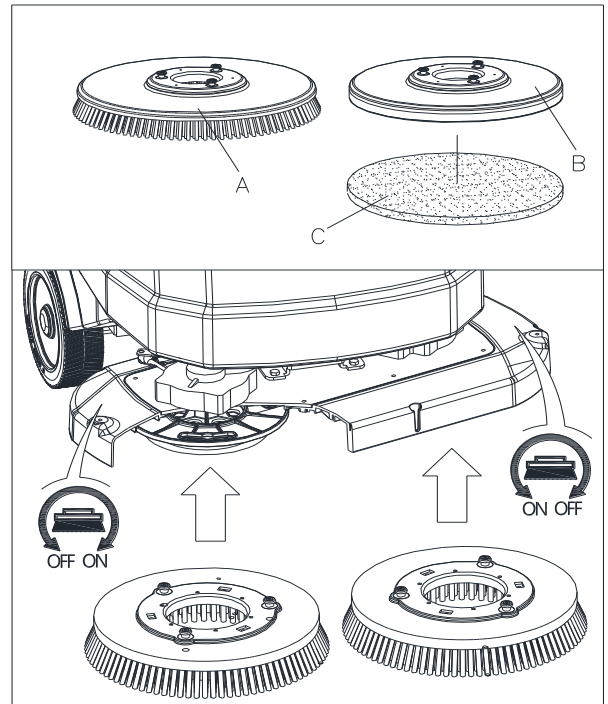
Ga als volgt te werk:

INSTALLEREN:

1. Steek de contactsleutel (42, Figuur 3) in en draai deze naar "I". Til het dek op. Schakel de machine uit door de contactsleutel (42) te verwijderen.
2. Zet de snelheidsregelaar (48) op stationair door deze linksom te draaien.
3. Plaats de borstels (A, Figuur 9) of de padhouder (B) onder het dek.
4. Draai de borstel/padhouder handmatig in de omgekeerde richting van de normale draairichting om ze te installeren. (zoals weergegeven in Figuur 9)

VERWIJDEREN:

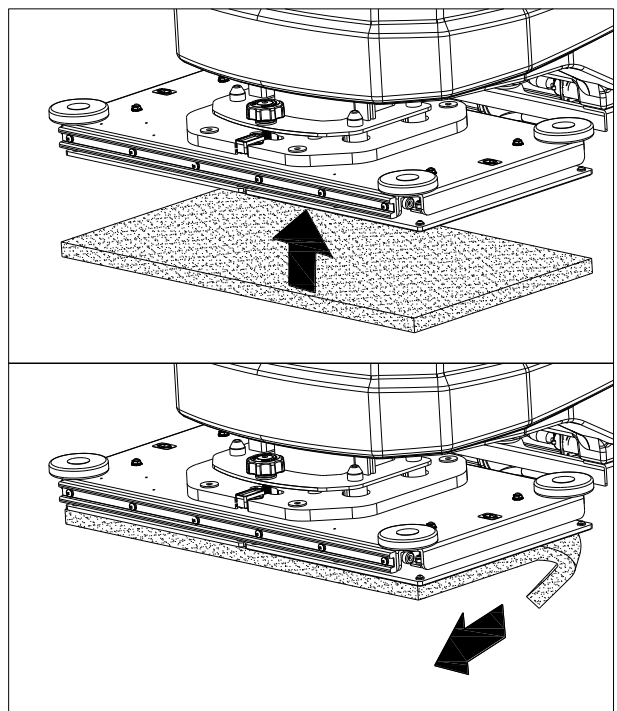
1. Steek de contactsleutel (42, Figuur 3) in en draai deze naar "I". Om de borstel/padhouder te verwijderen, tilt u het dek op door op de ontgrendelingsknop voor de borstel/padhouder (44) te drukken, de borstel/padhouder wordt automatisch ontgrendeld.



Figuur 9

PAD INSTALLEREN EN VERWIJDEREN (alleen voor orbitale machines)

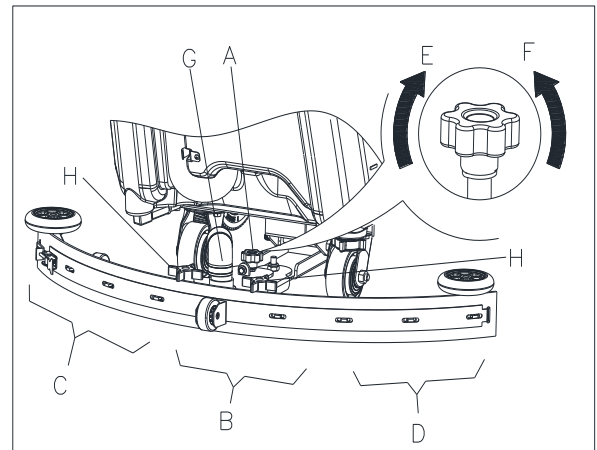
1. Steek de contactsleutel (42, Figuur 3) in en draai deze naar "I". Til het dek op. Schakel de machine uit door het verwijderen van de contactsleutel.
2. Installeer of verwijder de pad handmatig (Figuur 10).



Figuur 10

DE ZUIGRUBBER BALANCEREN

1. Installeer de zuigrubber en draai de moeren (H, Figuur 11), vast en sluit vervolgens de zuigslang (G) aan op de zuigmond.
2. Pas de zuigrubber aan door het aanpassen van de zuigrubbergreep (A, Figuur 11).
 - a) Als er ruimte is tussen de grond en het middelste deel van het achterste rubberblad (B), draai dan de knop (A) linksom (F) totdat alle delen van het achterste zuigrubber goed contact maken met de grond, het voorste rubberblad raakt de grond licht.
 - b) Als er ruimte is tussen de grond en beide eindstukken van het achterste rubberblad (C en D), draai dan de knop (A) rechtsom (E) totdat alle delen van het achterste zuigrubber goed contact maken met de grond, het voorste rubberblad raakt de grond licht.



Figuur 11

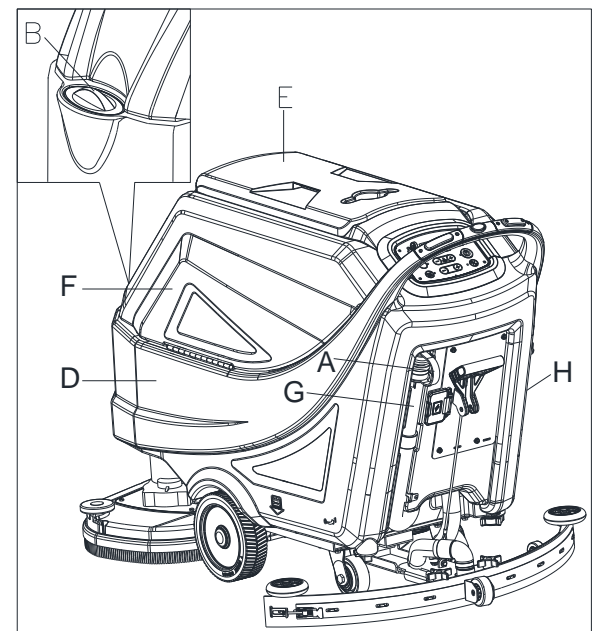
DE OPLOSTANK VULLEN

1. Open het waterinlaatdeksel (B, Figuur 12).
2. Vul met water of oplossing die geschikt is voor het werk via de waterinlaat met filter.
De oplossingstemperatuur mag zich niet boven + 104F (+40 °C) bevinden.
3. Vul de tank niet te vol, raadpleeg de waterpeilindicator (H) voor de hoeveelheid.



WAARSCHUWING!

Gebruik alleen laag schuim en niet ontvlambare detergentia bestemd voor de automatische schrobtoepassingen.



Figuur 12

MACHINE START EN STOP

Starten En Stoppen Van De Machine

1. Bereid de machine voor zoals aangegeven in de vorige paragraaf.
2. Steek de contactsleutel in (A, Figuur 13) en draai deze naar "I". Controleer de toestand van de accu's op het scherm. Laad de accu's zo nodig op (zie de procedure in het hoofdstuk Onderhoud).
3. Rijd de machine naar het werkgebied:
 - Door de veiligheidsschakelaar (F) in te drukken om vooruit te gaan of door de veiligheidsschakelaar (F) samen met de achteruitrijschakelaar (G) in te drukken om achteruit te gaan. De voorwaartse snelheid kan worden aangepast met de snelheidsregelaar (H).
4. Laat de zuigrubber (I) zakken met de bedieningshendel (J) voor omhoog/omlaag.
5. Laat de borstel/padhouder (K) zakken door op de startknop (L) te drukken.
6. Druk, afhankelijk van het type reiniging, op de knoppen voor de regeling van de doorstroming van de oplossing (O).
7. Start de reiniging:
 - Druk op een van beide veiligheidsschakelaars (F) om de aandrijving van de machine te activeren. Indien nodig, kan de voorwaartse snelheid worden aangepast met de snelheidsregelaar (H).

**OPMERKING**

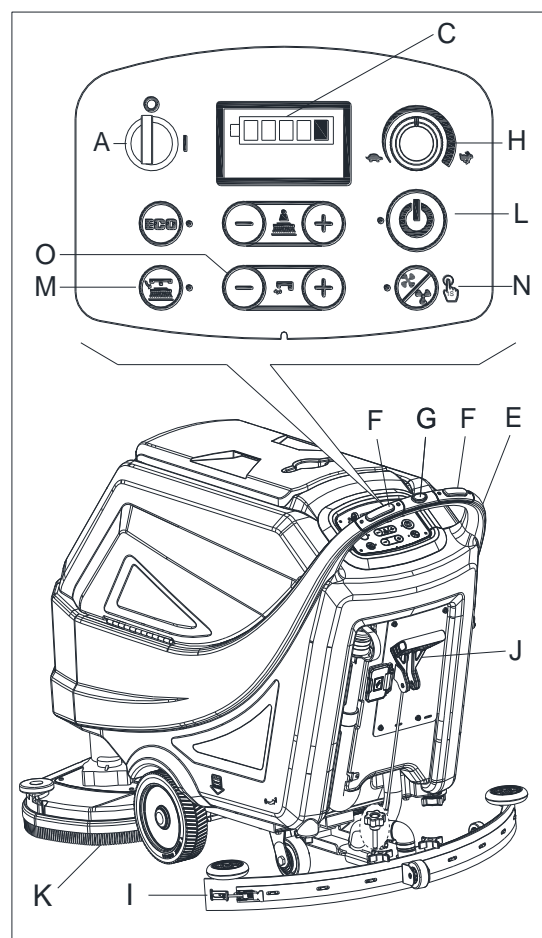
Druk op de linker of rechter veiligheidsschakelaar (F, Figuur 13) of beide om de machine naar voren te verplaatsen.

Het stoppen van de machine

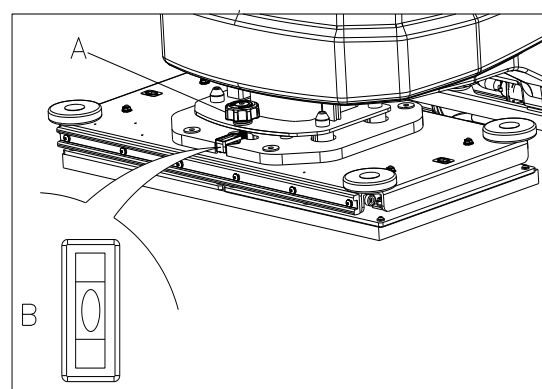
8. Stop de machine door de veiligheidsschakelaars los te laten (F, Figuur 13)
9. De borstels stoppen. Het vacuümsysteem stopt na enkele seconden.
10. Til het borstel-/padhouder dek (K) op door op de startknop (L) te drukken.
11. Til de zuigrubber (I) op met de bedieningshendel voor omhoog/omlaag (J).
12. Draai de contactsleutel (A) op "0".
13. Zorg ervoor dat de machine niet vanzelf kan bewegen.

MACHINEGEBRUIK (SCHROBBEN EN DROGEN)

1. Start de machine zoals beschreven in de vorige hoofdstukken.
2. Houd één van beide veiligheidsschakelaars (35, Figuur 2), ingedrukt, verplaats de machine en begin met het schrobben/drogen van de vloer.
3. Indien nodig, stop de machine en stel de zuigrubber af zoals beschreven in het hoofdstuk "De zuigrubber balanceren".

**Figuur 13****HET NIVEAU VAN HET ORBITAAL DEK INSTELLEN (ALLEEN VOOR ORBITALE MACHINES)**

1. Steek de contactsleutel (42) in het contactslot en draai deze op "I". Laat het borstel-/padhouder dek (25) zakken door op de startknop (49) te drukken.
2. Pas het niveau van het orbitale dek aan door de hendel (A, Figuur 14) zo in te stellen dat de luchtbel zich in het midden bevindt (B, Figuur 14).

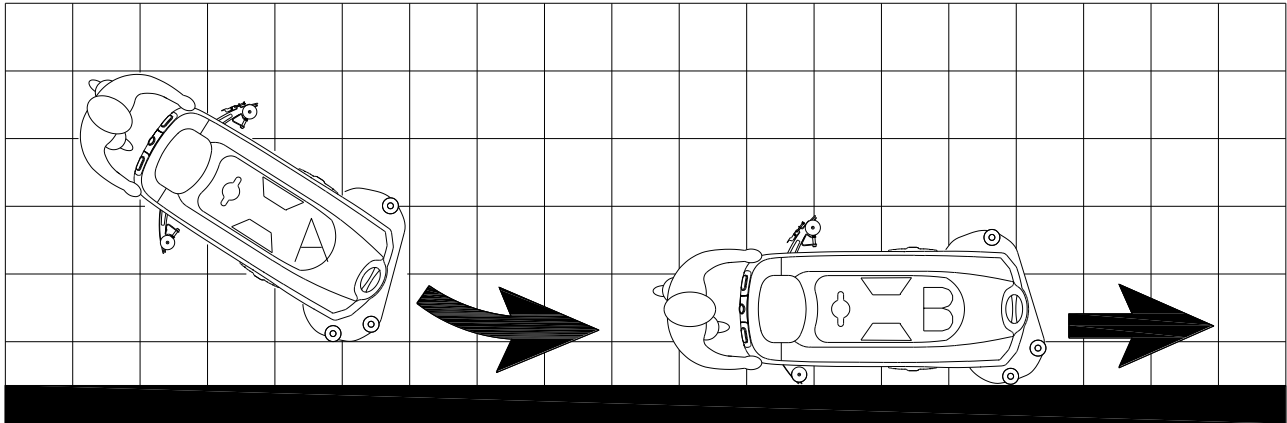
**Figuur 14**

**OPMERKING**

Voor het correct schrobben/drogen van vloeren aan de zijkanten van de wanden. Het is raadzaam om met de rechterzijde van de machine (A en B, Figuur 15) in de buurt van de wanden te komen, zoals in de figuur is aangegeven.

**LET OP!**

Om schade te voorkomen aan het vloeroppervlak moeten de borstels/padhouders uitgeschakeld worden wanneer de machine stopt op één plaats, in het bijzonder wanneer de extra drukfunctie ingeschakeld is.



Figuur 15

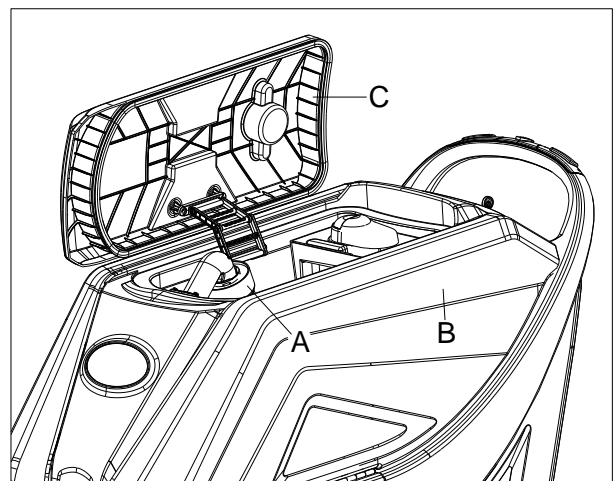
LOZEN VAN DE TANK

Een automatisch vlotter uitschakelsysteem (A, Figuur 16) blokkeert het vacuümsysteem wanneer het herstel waterreservoir (B) vol is. De deactivatie van het vacuümsysteem wordt gesignaleerd door een plotselinge toename in de frequentie van vacuümsysteem motorlawaai en de vloer wordt ook niet gedroogd.

**LET OP!**

Als het vacuümsysteem per ongeluk wordt uitgeschakeld (bijvoorbeeld wanneer de vlotter is geactiveerd vanwege een plotselinge machinebeweging), om de werking te hervatten: schakel het vacuümsysteem uit door het indrukken van de schakelaar (50, Figuur 3) en daarna opent u de klep (C, Figuur 16) en controleert u dat de vlotter binnen het rooster (A) is gedaald naar het waterniveau. Sluit vervolgens de klep (C) en schakel het vacuümsysteem in door het indrukken van de schakelaar (50, Figuur 3).

Wanneer de vuilwatertank (B, Figuur 16) gevuld is, moet deze geleegd worden als volgt.



Figuur 16

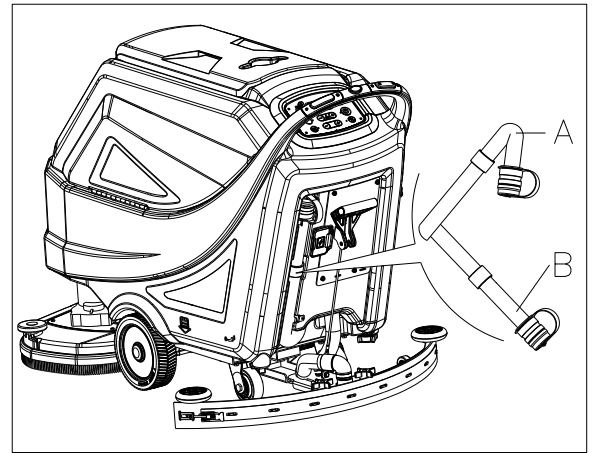
Lozen van de vuilwatertank

1. Stop de machine.
2. Til het borstel-/padhouder-dek op (25, Figuur 1) door op de startknop (49, Figuur 3) te drukken of start de machine opnieuw op met de contactsleutel (42, Figuur 3).
3. Til de zuigrubber (11, Figuur 1) omhoog met de bedieningshendel voor omhoog/omlaag (39, Figuur 2).
4. Rijd de machine naar de aangewezen afvalverwerkingsruimte.
5. Leeg de vuilwatertank met de slang (A, Figuur 17). Spoel vervolgens de tank (B, Figuur 16) met schoon water.



LET OP!

Bij het aftappen van het afvalwater moet de vacuümslang voor afval worden opgevouwen (A, Figuur 17) en in een lagere positie worden neergelaten (B, Figuur 17), en vervolgens het deksel van de vacuümbuis openen om het water af te voeren. Richt de uitlaat van de vacuümbuis voor afval niet omhoog voor het verticaal lozen van het water. Dit is om het morsen van het afvalwater op de gebruiker te voorkomen.



Figuur 17

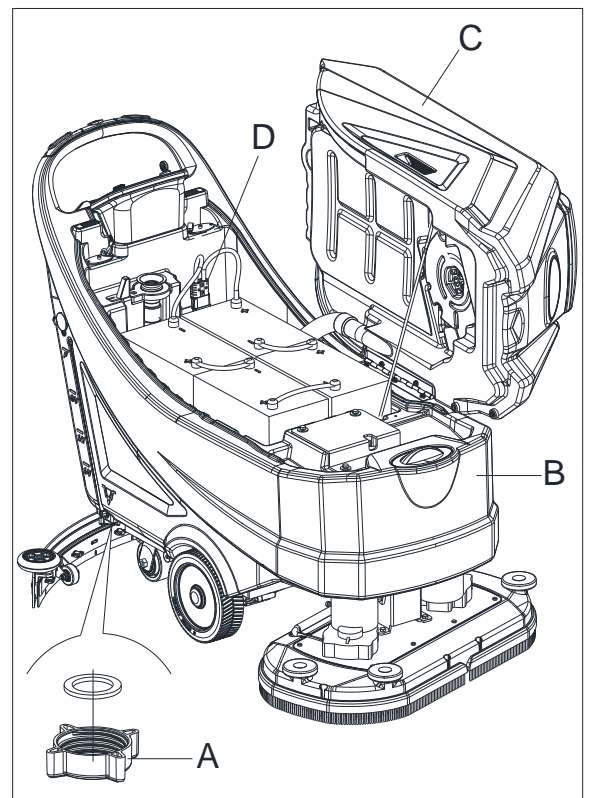
Oplossing/schoon water tank leegmaken

1. Leeg de oplossingstank met de uitlaatafdekking (A, Figuur 18). Spoel de tank na de werkzaamheden met schoon water.

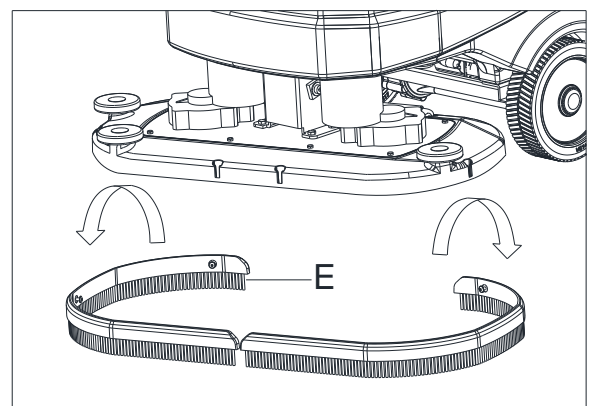
NA HET GEBRUIK VAN DE MACHINE

Na het gebruik, vóór het verlaten van de machine:

1. Verwijder de borstels / pad-houders door op de ontgrendelingsknop (44, Figuur 3) te drukken en reinig ze (alleen voor de schijfmachine).
2. Verwijder de spatbescherming zoals (E, Figuur 19) en reinig deze. (alleen voor schijfmachine)
3. Verwijder de pad en maak hem schoon. (alleen voor orbitale machine)
4. Leeg de tanks (B en C, Figuur 18) zoals aangegeven in de vorige paragraaf.
5. Voer de dagelijkse onderhoudsprocedures uit (zie het hoofdstuk Onderhoud).
6. Bewaar de machine op een schone en droge plaats, met de borstels / pad-houders en de zuigrubber opgetild of verwijderd.



Figuur 18



Figuur 19

OPSLAG VAN MACHINES BIJ LANGDURIGE STILSTAND

Als de machine voor meer dan 30 dagen niet gebruikt gaat worden, gaat u als volgt te werk:

1. Voer de procedures uit die zijn beschreven in de paragraaf "Na gebruik van de machine".
2. Koppel de accuconnector los (29, Figuur 2).

EERSTE GEBRUIK

Na de eerste 8 uur, controleer de bevestiging van de machine en aansluitende delen op juiste bevestiging. Controleer ook de zichtbare onderdelen voor slijtage en lekkage.

ONDERHOUD



WAARSCHUWING!

Onderhoudsprocedures moeten worden uitgevoerd nadat de machine is uitgeschakeld en de kabel van de batterijlader is losgekoppeld. Bovendien moeten de veiligheidshoofdstukken in deze handleiding zorgvuldig gelezen worden.

Alle geplande of buitengewone onderhoudsprocedures moeten worden uitgevoerd door gekwalificeerd personeel of een erkend Service Center. Deze handleiding beschrijft alleen de algemene en gewoonlijke onderhoudsprocedures.

Raadpleeg voor andere onderhoudsprocedures, die niet in onderstaande tabel onderhoud gepland staan, de onderhoudshandleiding die kan worden geraadpleegd in het Service Center van ons bedrijf.

GEPLANDE ONDERHOUDSTABEL



LET OP!

De procedure gemarkeerd met (1) moet worden uitgevoerd wanneer de machine wordt gebruikt na 8 uur voor de eerste keer. De procedure gemarkeerd met (2) moet worden uitgevoerd door een Servicecenter dat gekwalificeerd is door ons bedrijf.

Procedure	Dagelijks, na elk gebruik	Wekelijks	halfjaarlijks	Jaarlijks
Opladen van de batterij				
Zuigrubber schoonmaken				
Borstel / Padhouder schoonmaken				
Tankreiniging				
Tank Verzegelingstripcontrole				
Vlotterbalfilter schoonmaken				
Pad reinigen				
Spatbescherming reinigen (alleen voor schijfmachine)				
Zuigrubber controleren en vervangen				
Reinigingswater filter schoonmaken				
Zuigfilter reiniging				
NATTE accu vloeistof niveau controle				
Schroef en moer stevigheidscontrole			(1)	
Lagere Isolator (alleen voor orbitale machine)			(2)	
Controle of vervanging van de koolborstel van de borstelmotor				(2)
Controle of vervanging van de koolborstel van de vacuüm-motor				(2)
Controle of vervanging van de koolborstel van het aandrijfsysteem				(2)

INNLEDNING**FORSIKTIG!**

Ikke all generell og detaljert maskininformasjon er omhandlet i denne veiledningen. Vennligst se HURTIGSTARTVEILEDNINGEN på den medfølgende CD-platen med Adobe® Reader®.

**MERK**

Tallene i parentes viser til komponentene som er vist under "Maskinbeskrivelse".

FORMÅL OG INNHOLD

Formålet med denne hurtigstartveiledningen er å gi operatøren all grunnleggende informasjon til å bruke maskinen riktig. For informasjon om tekniske egenskaper, betjening, maskininaktivitet, reservedeler og sikre tilstander osv., se HURTIGSTARTVEILEDNINGEN som medfølger på CD-ROM.

Før utføring av noen prosedyre på maskinen må operatører og kvalifiserte teknikere lese hurtigstartveiledningen. Ta kontakt med selskapet hvis du er i tvil om tolkningen av instruksjonene eller for eventuell ytterligere informasjon.

SLIK OPPBEVARER DU HURTIGSTARTVEILEDNINGEN

Hurtigstartveiledningen må oppbevares i nærheten av maskinen i en egnet mappe, borte fra væsker og andre stoffer som kan føre til at den blir ødelagt.

SAMSVARERKLÆRING

Samsvarserklæringen leveres med maskinen og bekrefter at maskinen samsvarer med gjeldende forskrifter.

**MERK**

Kopi av den originale samsvarserklæringen leveres sammen med dokumentasjonen for maskinen.

TILBEHØR OG VEDLIKEHOLD

All bruk, vedlikehold og reparasjoner må utføres av kvalifisert personell, eller av et av våre servicesentre. Det skal KUN brukes godkjente reservedeler og tilbehør.

Ta kontakt med vår kundeservice for service eller kjøp av tilbehør og reservedeler.

ENDRINGER OG FORBEDRINGER

Vi tar sikte på kontinuerlig forbedring av våre produkter, og forbeholder oss retten til å foreta endringer og forbedringer uten ytterligere varsel.

BRUKSOMRÅDE

Gulvvaskeren er beregnet for kommersiell og industriell bruk. Den er laget for rengjøring av glatte og harde gulv, for bruk av kvalifisert personell på en trygg måte. Den er ikke beregnet for utendørs bruk eller for rengjøring av tepper eller grovstrukturete gulv.

IDENTIFIKASJONSDATA

Maskinens serienummer og modellnavn er merket på typeskiltet.

Her finnes nyttig informasjon. Skriv inn maskinens identifikasjonsdata i tabellen nedenfor, og bruk den når det skal bestilles reservedeler til maskinen.

MASKINMODELL.....
MASKINENS SERIENUMMER.....

TRANSPORT OG UTPAKKING

Ved levering av maskinen, må det sjekkes at emballasjen og maskinen er hel og uskadet. Hvis noe er skadet, må transportøren gjøres oppmerksom på skaden og før du godtar leveransen må du forbeholde deg retten til kompensasjon for skaden.

Følg anvisningene for utpakking av maskinen når den skal pakkes ut.

Sjekk at følgende elementer finnes i forpakningen:

1. Tekniske dokumentasjoner hurtigstartveiledning
2. Deleliste (*).
3. Batteritilkobling.
4. Elektronisk batteriladerhåndbok (hvis installert) (*)

SIKKERHET

Følgende symboler indikerer potensielt farlige situasjoner. Les alltid nøye gjennom denne informasjonen, og ta alle nødvendige forholdsregler for å beskytte personell og materiell.

SYMBOLER MERKET PÅ MASKINEN**ADVARSEL!**

Les nøye gjennom alle instruksjonene før du tar i bruk maskinen.

**ADVARSEL!**

Ikke vask maskinen med direkte stråle eller høytrykksspyler.

**ADVARSEL!**

Ikke bruk maskinen i hellinger som overskrider spesifisert tillatt vinkel.

SYMBOLER SOM VISES PÅ HURTIGSTARTVEILEDNINGEN**FARE!**

Indikerer en farlig situasjon som kan føre til dødsfall for operatøren.

**ADVARSEL!**

Indikerer en potensiell fare som kan føre til personskade.

**FORSIKTIG!**

Indikerer en advarsel eller en merknad knyttet til viktige eller nyttige funksjoner. Vær spesielt oppmerksom på avsnittene som er merket med dette symbolet.

**MERK**

Indikerer en merknad knyttet til viktige eller nyttige funksjoner.

**MERK**

Det indikerer nødvendigheten til å se hurtigstartveiledningen før det gjennomføres noen prosedyre.

GENERELLE SIKKERHETSANVISNINGER

Nedenfor er det beskrevet spesifikke advarsler og forsiktighetsregler for å informere om potensielle skader på personer og maskin.

**FARE!**

- Denne maskinen skal kun brukes av kvalifisert og autorisert personell i henhold til informasjonen i håndboken.
- Før det gjøres noe som helst rengjøring, vedlikehold, reparasjoner eller utskiftninger, må alle instruksjoner leses nøye gjennom, slå av maskinen og koble fra batterikontakten.
- Ikke bruk maskinen i nærheten av giftige, farlige, brennbare og/eller eksplosive pulver, væsker eller damp. Denne maskinen er ikke egnet for oppsamling av farlig pulver.
- Ikke bruk smykker når du jobber i nærheten av elektriske komponenter.
- Ikke jobb under den løftede maskinen uten å støtte den med sikkerhetsstativer.
- Ved bruk av blybatterier (WET) kan disse avgi antennelig gass under normal bruk. Hold gnister, flammer, røykmaterialer og strålende, belysende og brennende elementer borte fra batteriene.
- Ved lading av blybatterier (WET) kan de stråle ut hydrogengass som kan forårsake eksplosjon. Sikre at lademiljøet er godt ventilert og på avstand fra åpne flammer.

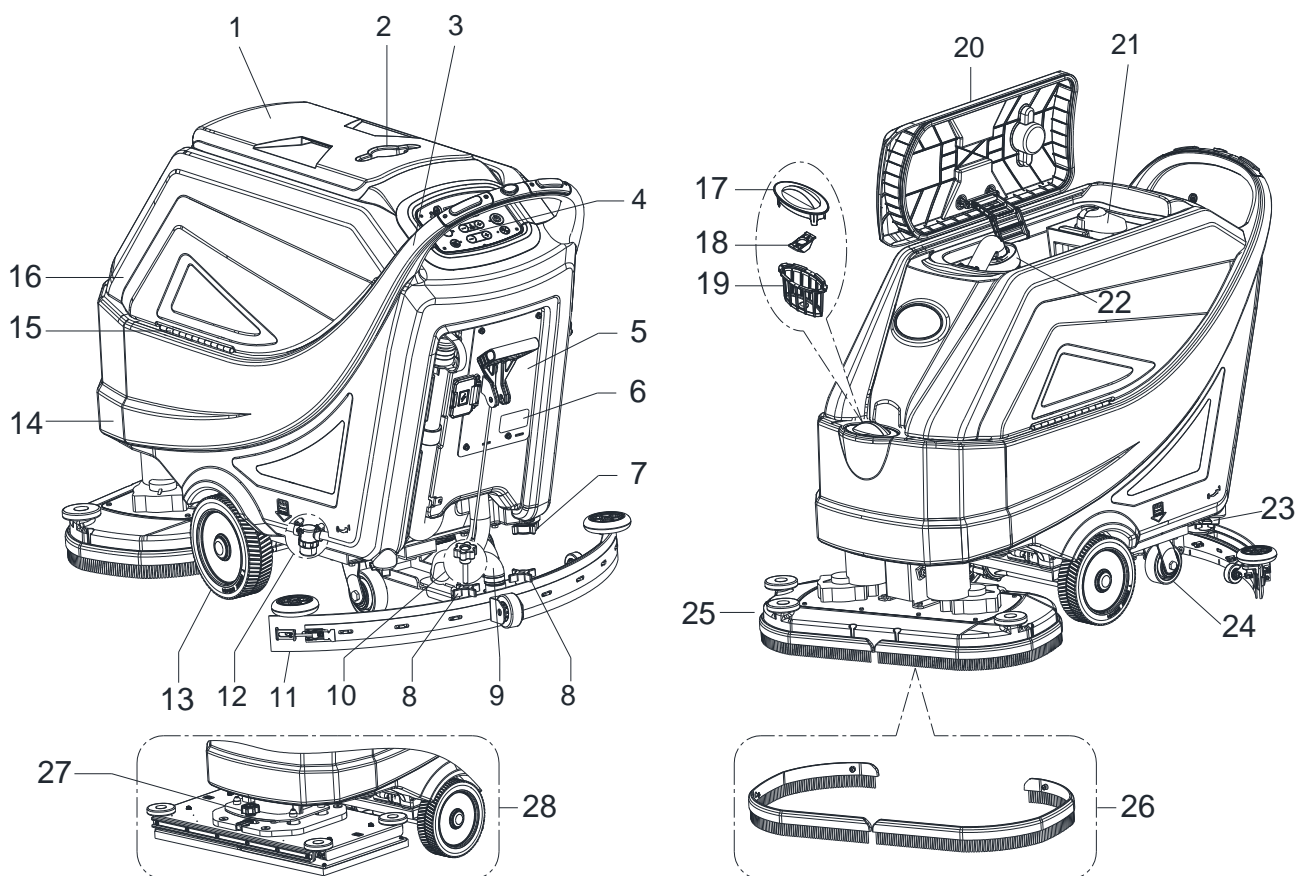
**ADVARSEL!**

- Denne maskinen er beregnet til **KOMMERSIELL BRUK**, for eksempel i hoteller, skoler, sykehus, fabrikker, butikker, kontorer og leieforretninger.
- Maskiner som er uten tilsyn, må sikre mot utilsiktet bevegelse.
- For å forhindre uautorisert bruk av maskinen skal strømkilden slås av eller låses, for eksempel ved å fjerne nøkkelen fra hovedbryteren eller tenningsnøkkelen.
- Sjekk maskinen nøye før hver bruk. Påse at alle komponenter er riktig montert før bruk. I annet fall kan det føre til materielle skader og personskader.
- Før bruk av batteriladeren, se til at verdiene på frekvensen og spenningen som er angitt på maskinens serienummeretikett er i samsvar med de i nettet.
- Flytt aldri maskinen ved å trekke i batteriladerkabelen. Ikke la kabelen gå gjennom en lukket dør eller vikle seg sammen på skarpe kanter eller hjørner. Ikke kjør maskinen på batteriladerkabelen. Hold batteriladerkabelen på avstand fra oppvarmede overflater.
Ikke lad batteriene hvis batteriladerkabelen eller pluggen er skadet.
- For å redusere risikoen for brann, elektrisk støt eller skade, se til at maskinen er av før du går.
- Bruk eller oppbevar maskinen innendørs i tørre omgivelser. Maskinen er ikke beregnet for utendørs bruk.
- Maskinens lagrings- og arbeidstemperatur må være mellom 0 °C og +40 °C, luftfuktigheten må være mellom 30 % og 95 %.
- Ikke bruk maskinen i hellinger som overskrider spesifisert tillatt vinkel.
- Ved bruk og håndtering av rengjøringsmidler for gulv, følg instruksjonene på etikettene på emballasjen for rengjøringsmidlene og bruk egnede hansker og beskyttelse.
- Bruk børster og pads som følger med maskinen eller som er definert i håndboken. Bruk av andre børster eller pads kan redusere sikkerheten.
- Ved maskinfeil må det sjekkes at feilen ikke har oppstått på grunn av manglende vedlikehold. Om nødvendig kan du be om hjelp fra autorisert personell eller et autorisert servicesenter.
- Ta alle nødvendige forholdsregler for å forhindre at hår, smykker og løse klær hektes fast i maskinens bevegelige deler.
- Ikke bruk maskinen på områder som er spesielt støvete.

- Ikke vask maskinen med direkte stråle eller høytrykksspyler eller med korrosive stoffer.
- Ikke støt mot hyller eller stativer, spesielt der det er fare for fallende gjenstander.
- Ikke sett væskebeholdere på maskinen, bruk relevant kanneholder.
- For å unngå skade på gulvet skal børste/puten ikke betjenes mens maskinen står stille.
- I tilfelle brann bruk et tørt pulverbrannslukkingsmiddel. Ikke bruk væskebrannslukkere.
- Ikke fjern eller modifier maskinens klistremerker.
- Ikke tukle med maskinens sikkerhetsvern, og følg de vanlige vedlikeholdsanvisningene svært nøye.
- Vær spesielt oppmerksom under transport av maskinen når temperaturen er under frysepunktet. Vannet i gjenvinningstanken og i slangene kan fryse og forårsake alvorlig skade på maskinen.
- Hvis reservedeler må skiftes ut, bestill **ORIGINALE** reservedeler fra autoriserte forhandlere eller distributører.
- Returner maskinen til servicesentere hvis den ikke fungerer som vanlig eller den er i en tilstand som skadet, plassert utendørs, har falt i vannet.
- For å sikre riktig og sikker drift av maskinen, må det fastsatte vedlikeholdet som vises i relevant kapittel i denne håndboken utføres av det autoriserte personalet eller et autorisert servicesenter.
- Maskinen må avfallshåndteres på riktig måte, da tilstedeværelsen av toksiske-skadelige materialer (batterier osv.), som er underlagt standarder som krever håndtering ved spesielle sentre (se kapittelet Skrotning).
- Denne maskinen skal kun brukes som et rengjøringsredskap, ikke til noe annet formål.
- Hold alltid åpningene fri for støv, hår og eventuelle fremmedlegemer som kan redusere luftstrømmen. Ikke bruk maskinen til åpningene er tilstoppet.
- Bruk kun maskinen der det finnes tilstrekkelig belysning.
- Denne maskinen er ikke beregnet for bruk av personer (inkludert barn) med reduserte fysiske, sensoriske eller mentale evner eller mangel på erfaring og kunnskap.
- Det er nødvendig med stor oppmerksomhet ved bruk i nærheten av barn.
- Barn bør være under tilsyn for å sikre at de ikke leker med denne maskinen.
- Ved bruk av denne maskinen må du påse å ikke skade personer eller gjenstander.
- Rengjøring og vedlikehold skal ikke utføres av barn uten tilsyn.

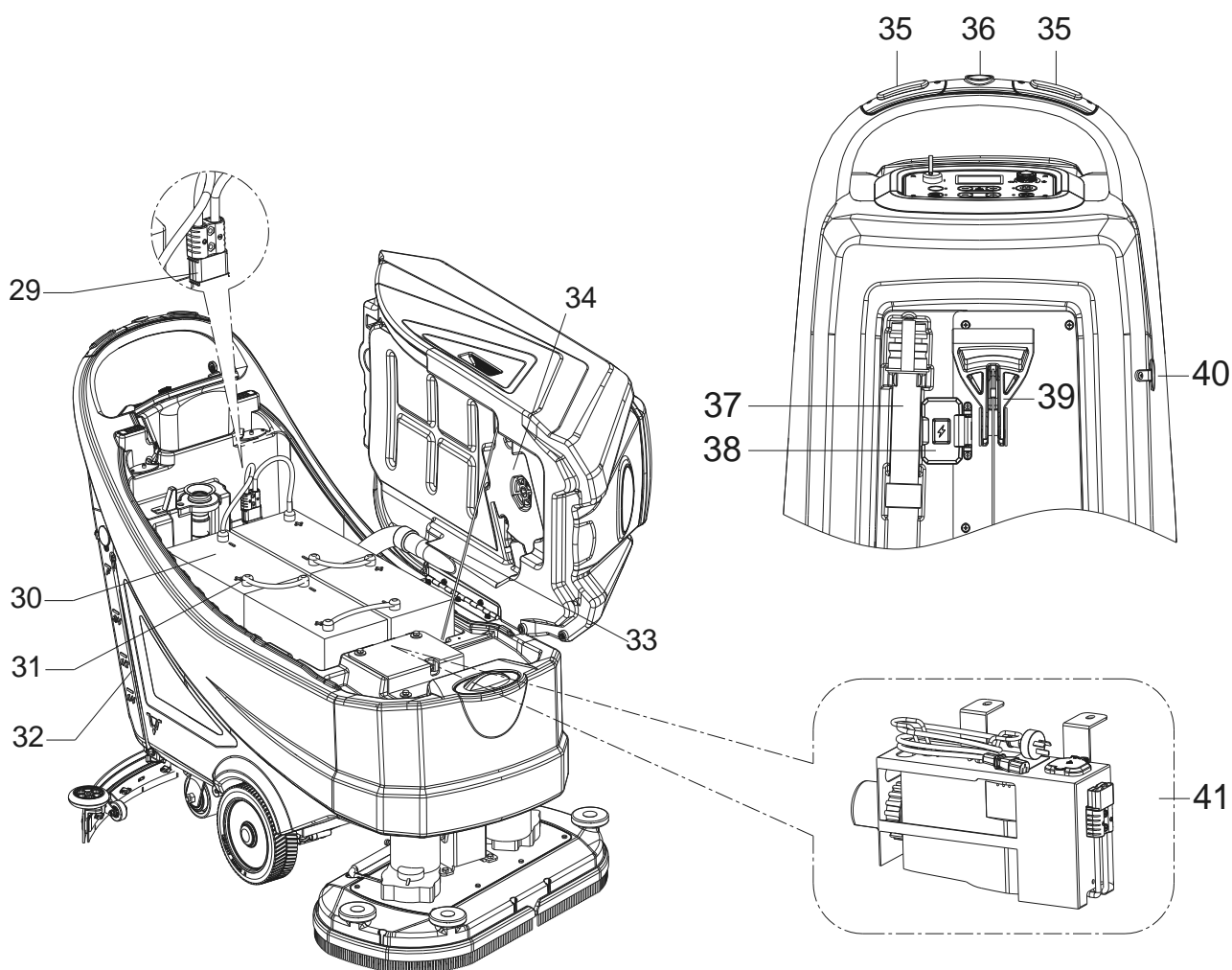
MASKINBESKRIVELSE**MASKINSTRUKTUR (slik som vist på figur 1)**

- | | |
|-------------------------------------|--|
| 1. Lokk på oppsamlingstank | 15. Hengsler |
| 2. Koppholder | 16. Oppsamlingstank |
| 3. Skyvehåndtak | 17. Filterdeksel |
| 4. Betjeningspanel | 18. Påfyllingsslangeholder |
| 5. Kontrollboks | 19. Filterstøtte |
| 6. Serienummerplate/tekniske data | 20. Tanklokkpakning |
| 7. Utgangsdeksel | 21. Smussoppsamler |
| 8. Nalknapper | 22. Flottørkulefilter |
| 9. Sugelangse til nal | 23. Kran for vaskemiddel/rent vann |
| 10. Justeringsbryter for nalbalance | 24. Bakre styrehjul |
| 11. Nal | 25. Børstesystem (kun for skivemaskin) |
| 12. Løsningsfilter | 26. Sprutvern |
| 13. Drivhjul | 27. Orbital hodejusteringsbryter |
| 14. Løsningstank | 28. Orbitalt system (kun for orbital maskin) |

**Figur 1**

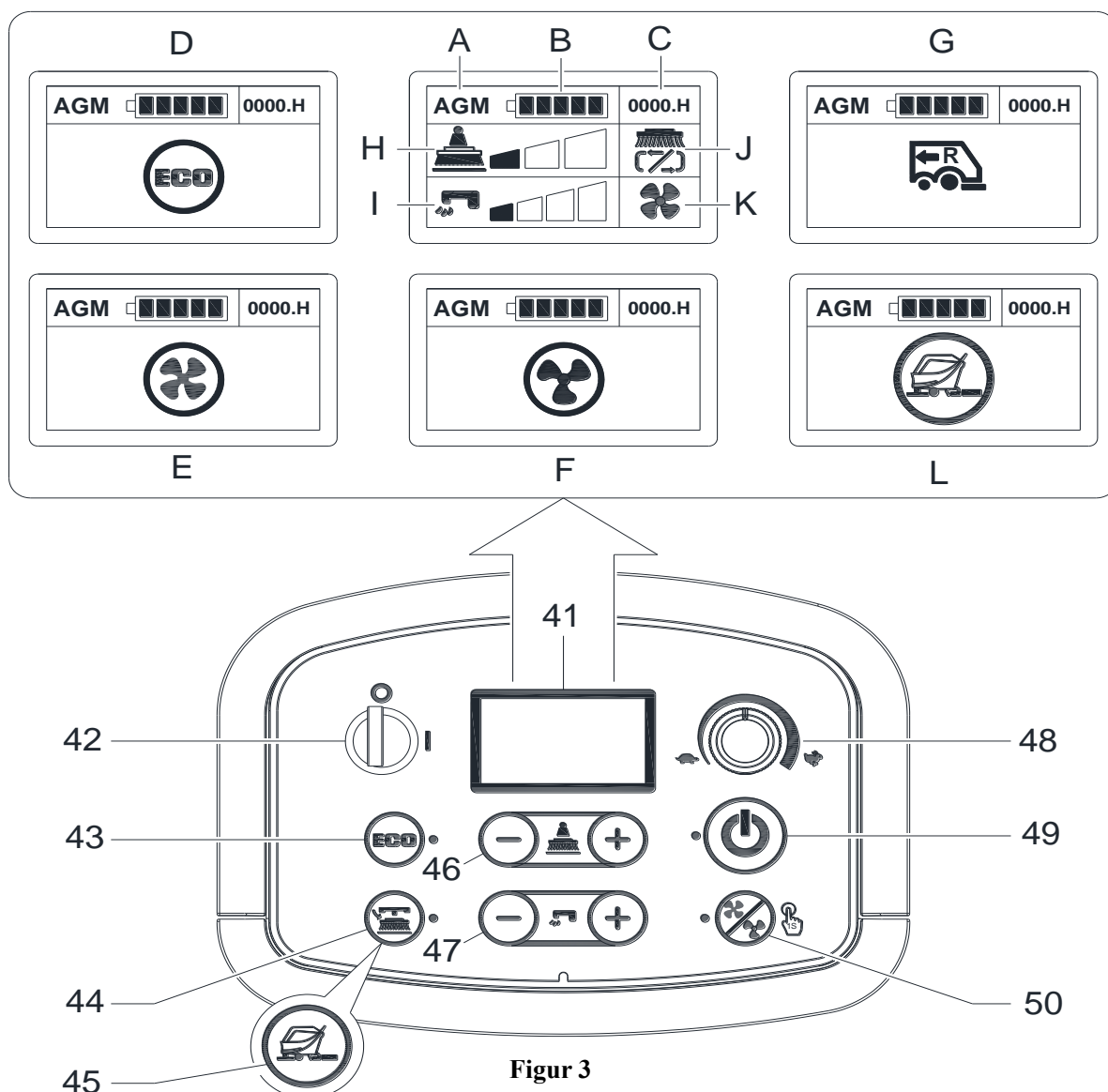
MASKINSTRUKTUR (som vist i Figur 2)

- | | |
|------------------------------|--|
| 29. Batterikontakt (rød) | 36. Maskinens reversbryter |
| 30. Batterier (*) | 37. Gjenvinningstømmeslange |
| 31. Batterihetter | 38. Sikkerhetsdeksel på ladekontakt |
| 32. Vannivåindikatorrør | 39. Spak for heving/senking av nal |
| 33. Sikkerhetskabel for tank | 40. Sidepåfyllingslokk for løsningsstank |
| 34. Støvsugersystem | 41. Integrert lader (*) |
| 35. Sikkerhetsbryter | (*): Ekstraustyr |

**Figur 2**

KONTROLLPANEL (som vist på figur 3)

41. Flerfunksjonsdisplay
Viste elementer:
A) Batteritype
B) Batteriladenivå
C) Driftstimer
D) ECO-modus
E) Normal støvsugermodus
F) Lyddempningsmodus for støvsuger
G) Reversmodus
H) Ekstratrykk aktivt
I) Flytmengde rengjøringsmiddelløsning
J) Børstearbeidsmodus
K) Støvsugingsmodus
L) Gulvklargjøringsmodus
42. Tenningsnøkkel (0 - I)
43. ECO-modusknapp
• LED på-under funksjon aktivert
• vannstrøm ved minimum (nivå 1)
• trykk ved minimum (nivå 1)
• Støvsuger er i stille modus
44. Børste-/puteholderfrigivelsesknapp (kun for skivemaskin)
• Blinkende LED-frigivelsessystem aktivert
45. Gulvklargjøringsknapp (kun for orbital maskin)
• Reisehastighet forhåndsinnstilt på 1 km/time
• LED på-under funksjon aktivert
• vannstrøm ved minimum (nivå 1)
• trykk ved maksimum (nivå 3)
• Støvsuger er i normal modus
46. Børstetrykkjusteringsknapp
47. Justeringsknapp for løsningsflyt
48. Hastighetsjustering
49. Enknapps start
• LED på-under funksjon aktivert
• vannsystem minimum (nivå 1)
• trykk ved minimum (nivå 1)
• støvsugersystem normalt
50. Støvsugersystemjusteringsknapp (trykk på knappen i 1 sekund for aktivering)
• LED på-normal modus
• Blinkende LED-stille modus



Figur 3

TEKNISKE DATA

Parametertype	Enheter	Modell		
		AS6690T	AS7690T	AS7190TO
Løsningsstankkapasitet	L / Gal	85 L / 22 Gal.		
Gjenvinningstankkapasitet	L / Gal	90 L / 24 Gal.		
Maskinlengde	mm/tommer	1490 mm/ 59 tommers	1550mm/ 61 tommers	1490 mm/ 59 tommers
Maskinbredde med nal	mm/tommer	830 mm / 33 tommers	950 mm / 38 tommers	
Maskinbredde uten nal	mm/tommer	730 mm/29 tommers	830mm/33 tommers	750mm/30 tommers
Maskinhøyde	mm/tommer	1020 mm/40,2 tommers		
Arbeidsbredde	mm/tommer	660 mm/26 tommers	760 mm/30 tommers	710 mm/28 tommers
Drivhjul diameter	mm/tommer	230 mm/9 tommers		
Spesifikt drivhjulstrykk på gulvet	N/mm ²	0,67 N/mm ²		
Diameter på bakhjul	mm/tommer	101 mm/4 tommers		
Spesifikt bakhjulstrykk på gulvet	N/mm ²	0,82 N/mm ²		
Diameter på børste/pad	mm/tommer	330 mm x 2 / 13 tommers x 2	380mm x 2 / 15 tommers x 2	355x710 mm / 14x28 tommers
Børste/pute-press (maks)	kg/lbs.	32 kg/71 lbs. 41 kg /90 lbs 49 kg /108 lbs	35 Kg /77 Lbs 43 kg /95 lbs 51 kg /112 lbs	42 kg /93 lbs 54 Kg / 120 Lbs 65 Kg / 143 Lbs
Løsningsflyt (maks) per innstilling	L / Gal per minutt	(0,9/1,5/2,2/3) liter (0,24/0,39/0,58/0,79) gallons		(0,6/1,1/1,9/2,5) liter (0,16/0,29/0,5/0,66) gallons
Lydrykknivå	dB (A)	69 ± 3 dB (A)		
Lydrykknivå i ECO-modus eller i stille modus	dB (A)	65 ± 3 dB (A)		
Håndtakets vibrasjonsnivå (maks)	m/s ²	< 2,5 m/s ²		
Stigningsevne (maks)	% grad	2%		
Min. korridorvending	mm/tommer	155cm/61 tommers	165 cm/65 tommers	160 cm/63 tommers
Drivmotoreffekt	Watt / hk	250 W / 0,33 hk		350 W / 0,47 hk
Arbeidshastighet	Km / miles per time	0 - 4,0 km / 0 - 2,5 miles per time		0 - 3,2 km / 0 - 2.0 miles per time
Fremover hastighet	Km / miles per time	0 - 4,0 km / 0 - 2,5 miles per time		
Revers hastighet	Km / miles per time	0 - 2,0 km / 0 - 1,25 miles per time		
Støvsugermotoreffekt	Watt / hk	500 W / 0,66 hk		
Støvsugingskapasitet	mm/tomme H ₂ O	1500 mm / 60 tomme H ₂ O		
Støvsugingskapasitet i ECO-modus eller i stille modus	mm/tomme H ₂ O	900 mm / 35 tomme H ₂ O		
Børstemotoreffekt	Watt / hk	500 x 2 watt / 0,66 x 2 hk		750 watt / 1,0 hk
Kosthastighet i normal modus	o/min	200 O/MIN		2200 O/MIN
Kosthastighet i ECO-modus	o/min	160 O/MIN		1600 O/MIN
IP-verneklasse	IP	IP24		
Batterihusstørrelse med eksternt lader (L x B x H)	mm/tommer	(620 x 385 x 390) mm / 24,4 x 15,1 x 15,3 tommers		
Batterihusstørrelse med integrert lader (L x B x H) (*)	mm/tommer	(535 x 385 x 390) mm / 21 x 15,1 x 15,3 tommers		
Spenning	DC	24 V		
Batterier (*)	Ah	I/R		
Batteridriftstid (standard batterier) (*)	Time	Opptil 4 timer		
Integrert lader (*)	volt/ampere	24V 25A		
Produktivit (maks)	m ² /t	2640 m ² /t	3040 m ² /t	2272 m ² /t
Maskinvekt med tomme tanker (uten batterier)	kg/lbs.	135 kg /298 lbs	138 kg /304 lbs	148 Kg/326 Lbs.
Brutto kjøretøysvekt (GVW)	kg/lbs.	347 Kg / 765 Lbs.	350 Kg / 772 Lbs.	360 Kg / 794 Lbs.
Forsendelsesvekt	kg/lbs.	202 Kg / 444 Lbs.	205 Kg / 451 Lbs.	215 Kg / 473 Lbs.
Pakkedimensjoner (L x B x H)	mm/tommer	(1620 x 810 x 1200 mm) / (64 x 32 x 48 tommers)	(1660 x 910 x 1200 mm) / (66 x 36 x 48 tommers)	

(*) Ekstrautstyr

BRUKERVEILEDNING

**ADVARSEL!**

På maskinen finnes det klistremærker som angir:

- FARE!
- ADVARSEL!
- FORSIKTIG!
- MERK

Når denne håndboken gjennomgås, må det vies særlig oppmerksomhet til symbolene på disse etikettene. Ikke dekk til etikettene, og skift dem umiddelbart ut dersom de blir skadet.

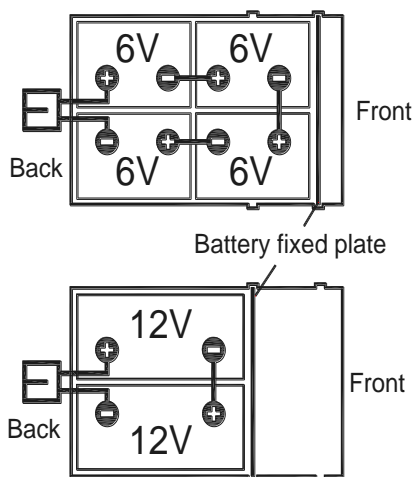
SJEKK/INNSTILLING AV BATTERIER PÅ NY MASKIN

**ADVARSEL!**

De elektriske komponentene i maskinen kan bli skadet hvis batteriene installeres eller tilkobles på feil måte. Batteriene må kun installeres av kvalifisert personell. Still inn kretskortet og den innebygde batteriladeren i henhold til batteritypen som brukes (VÅT eller GEL/AGM-batterier). Sjekk batteriene for skader før installasjon. Koble fra batterikontakten og batteriladerens støpsel. Batteriene må håndteres med forsiktighet. Bruk terminalhettene som følger med maskinen til å beskytte batteriterminalene.

Batteriene er allerede installert på maskinen

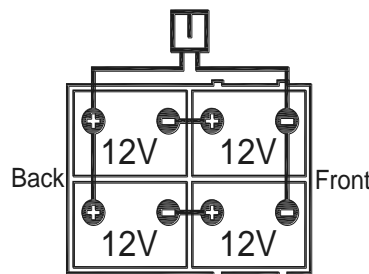
1. Se til at batteristøpset (29, figur 2) er tilkoblet.
2. Når du først bruker maskinen med nye batterier, utfør en fullstendig ladesyklus (se prosedyren i kapitlet Vedlikehold).



Figur 4

**MERK**

Maskinen bruker 2 x 12V batterier eller fire 6 V batterier, koblet i henhold til koblingsskjemaet (fig. 4). Plasser batterifesteplaten på riktig måte (figur 4).

**Uten batterier**

1. Kjøp passende batterier (se avsnittet "Tekniske data"). For valg og installasjon av batterier, må det kun brukes kvalifiserte batteriforhandlere.
2. Still inn maskinen i henhold til typen batterier som er installert, slik som vist i superbrukernøkkelavsnittet i kapitlet Vedlikehold.

BATTERIINNSTALLASJON OG BATTERITYPEINNSTILLING (WET OR GEL/AGM OR DIS OR ENES)

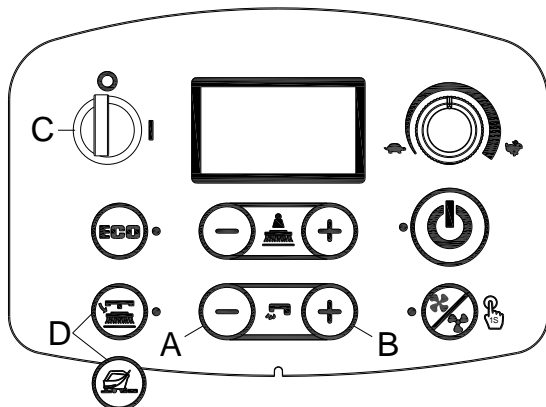
Batteriinnstallasjon

1. Åpne gjenvinningstanklokket (1, figur 1) og kontroller at gjenvinningstanken (16) er tom, ellers tøm den med tømme­slangen. (37, figur 2)
2. Lukk gjenvinningstanklokket (1, figur 1).
3. Løft gjenvinningstanken (16, figur 1) forsiktig.
4. Maskinen leveres med kabler som egner seg til å installere to 12 V batterier eller fire 6 V batterier. Legg batteriene forsiktig inn i huset, installer dem deretter riktig. Plasser batterifesteplaten på riktig måte (figur 4).
5. Legg og installer batterikabelen slik som vist i (figur 4), trekk deretter til mutteren på hver batteriterminal.
6. Plasser beskyttelseshetten på hver terminal, koble deretter til batterikontakten (29, figur 2).
7. Senk forsiktig gjenvinningstanken (16, figur 1).

Batteritypeinnstilling (WET OR GEL/AGM OR DIS OR ENES)

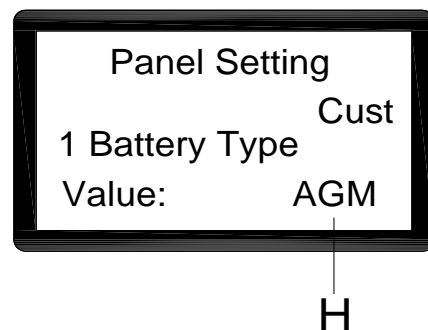
Få tilgang til å velge batterimodus

I henhold til typen batterier (WET eller GEL/AGM), still inn maskinen som følger:



Figur 5

Access to select battery mode



Figur 6

1. Trykk på vannstrømknappen "+" (A, figur 5) og "-" (B, figur 5) samtidig.
2. Sett inn tenningsnøkkelen (C, figur 5) og dreii den til "I".
3. Flere sekunder senere gå inn til skjermen for å velge batterimodus (figur 6)
4. Trykk på vannstrømknappen "-" (A, figur 5) og "+" (B, figur 5) for å velge batterimodus (H, figur 6)
5. Trykk på utløserknappen for plateversjonen eller gulvklargjøringsknappen for baneversjonen (D, figur 5), 3 sekunder senere vises "Oppdatering OK" betyr at innstillingen er vellykket, slå på for å starte på nytt. (C, figur 5)

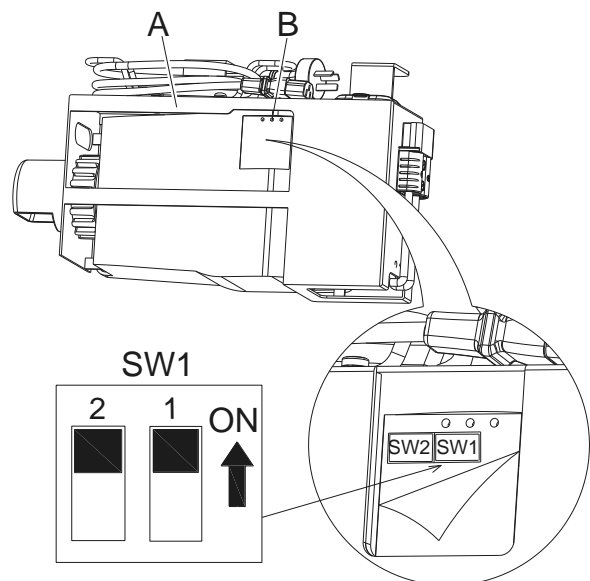
Batteriladerinnstilling (kun for integrert lader hvis installert)



ADVARSEL!

Ikke still inn laderen med mindre du har profesjonell opplæring

1. Slå av maskinen og deaktivert den integrerte laderen (A, figur 7) fra maskinen. Lirk deretter opp etiketten på laderdekslet (B, figur 7). Du vil finne de 2 settene av dippbryterne (SW1 og SW2) i laderen.
2. Kun settet til dippbryter SW1 (den på venstre side) har virkning på ladekurveutvalget i henhold til tabellen nedenfor.



Figur 7

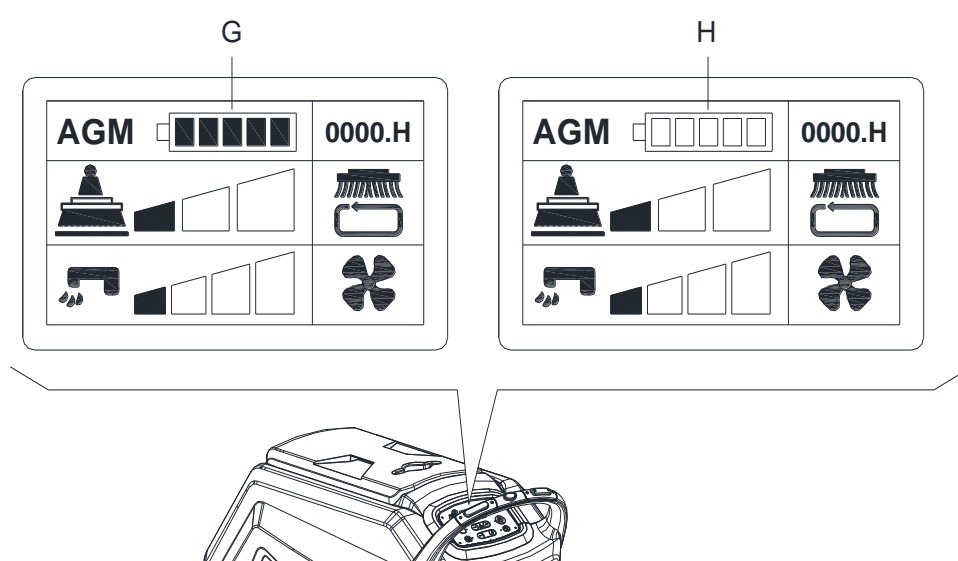
DP1	DP2	LADEKURVE
PÅ	AV	IUIa-ACD for blysyrebatterier (Wet)
AV	AV	IUIa-GEL for gelbatterier fra Exide-Sonnenschein
AV	PÅ	IUU0-GEL for HAZE Gel- og AGM-batterier fra andre produsenter
PÅ	PÅ	IUIUa-AGM for Discover AGM-batterier

Batterilading

Lad batteriene fullstendig (se prosedyren i kapittelet Vedlikehold).

Batteriutladning

Når batterimønsteret er fullt (G, figur 8), gjør batteriene at maskinen fungerer normalt. Når batteriet er lavt (H, figur 8), må batteriene lages. Noen få sekunder etter at lavt batterimønster vises, slås kost-/putholderen automatisk av, mens drivsystemet holdes på. Kjør maskinen til det utnevnte gjenladningsområdet umiddelbart.



Figur 8



FORSIKTIG!

Når batteriene er tømt, lad dem igjen så snart som mulig, da tilstanden gjør at levetiden forkortes. Kontroller for batteriladning minst én gang i uka.

BØRSTE-/PUTEHOLDERINSTALLASJON OG FJERNING (kun for skivemaskin)**MERK**

Monter enten børsten (A, Figur 9) eller pad-holderen (B og C, Figur 9) i henhold til gulvtypen som skal rengjøres.

**FORSIKTIG!**

Før installasjon eller fjerning børste- eller puteholder, sørg for at alle brytere på maskinen er i av-stilling og nalen er løftet opp fra gulvet. Operatøren må være utstyrt med egnet personlig verneutstyr, som hansker, for å redusere risikoen for skade.

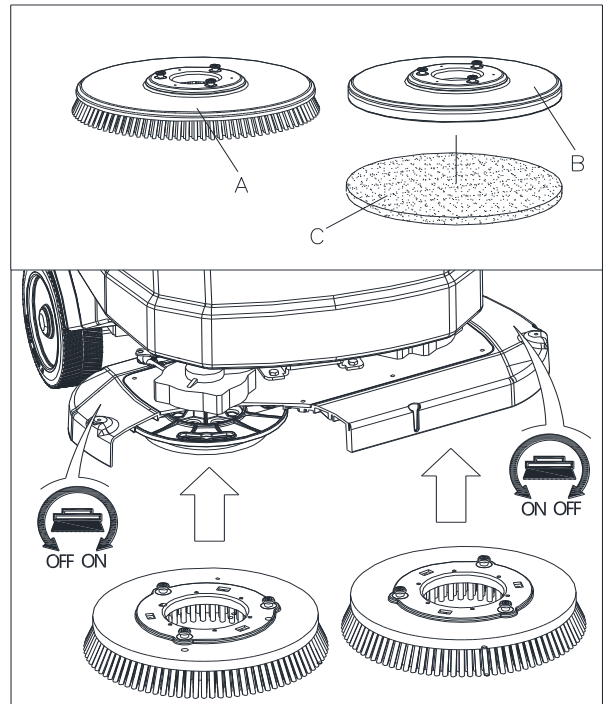
Gå frem som følger:

INSTALLASJON:

1. Sett inn tenningsnøkkelen (42, figur 3) og vri den til "I". Løft dekket. Slå av maskinen ved å fjerne tenningsnøkkelen (42).
2. Sett hastighetskontrollen (48) til tomgang ved å vri den mot klokken.
3. Plasser kostene (A, figur 9) eller puteholderen (B og C, figur 9) under dekket.
4. Bruk den manuelle metoden ved å dreie børste-/puteholderen i retningen motsatt for normal dreieretning, og det kan installeres. (som vist i figur 9)

FJERNING:

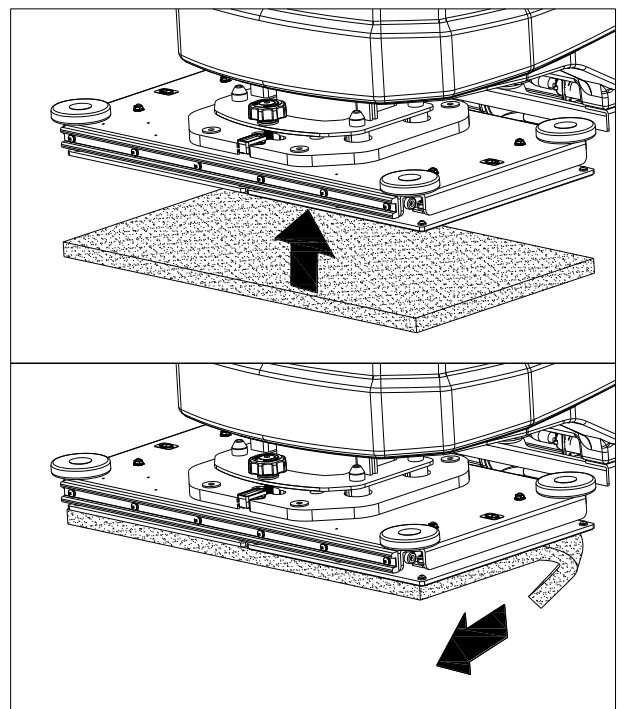
1. Sett inn tenningsnøkkelen (42, figur 3) og vri den til "I". For å fjerne børste-/puteholderen, vipp opp dekket ved å trykke på frigivelsesknappen (44) for børste-/puteholderen. Deretter blir børste-/puteholderen frigitt automatisk.



Figur 9

PUTEINSTALLASJON OG -FJERNING (kun for orbital maskin)

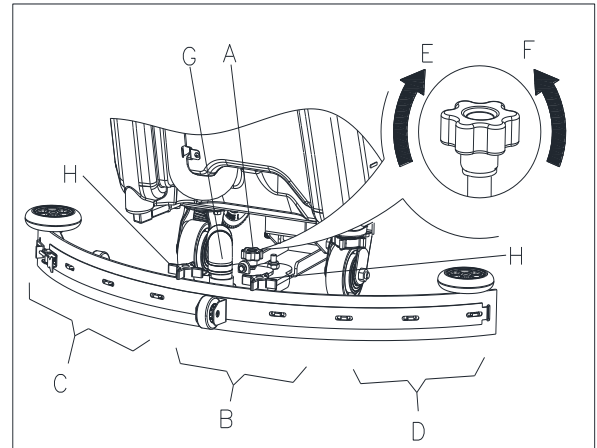
1. Sett inn tenningsnøkkelen (42, figur 3) og vri den til "I". Løft dekket. Slå av maskinen ved å fjerne tenningsnøkkelen.
2. Bruk den manuelle metoden til å installere eller fjerne puten som (figur 10)



Figur 10

JUSTERING AV BALANSEN TIL NALEN

1. Monter nalen og skru til mutterne (H, figur 11), og koble deretter til vakuumslangen (G) til nalen.
2. Juster nalen med naljusteringshåndtaket (A, figur 11).
 - a) Hvis det er et gap mellom gulvet og midtre del av bakre nalblad (B), juster bryteren (A) i motsatt klokkeretning (F) inntil alle avsnitt av bakre nalblad har god kontakt med gulvet, frontbladet berører gulvet lett.
 - b) Hvis det er et gap mellom gulvet og begge endene av den bakre nalen (C og D), juster skruen (A) med klokken (E) til alle deler av den bakre nalen er i god kontakt med gulvet, og slik at den fremre nalen så vidt berører gulvet.



Figur 11

FYLLE LØSNINGSTANK

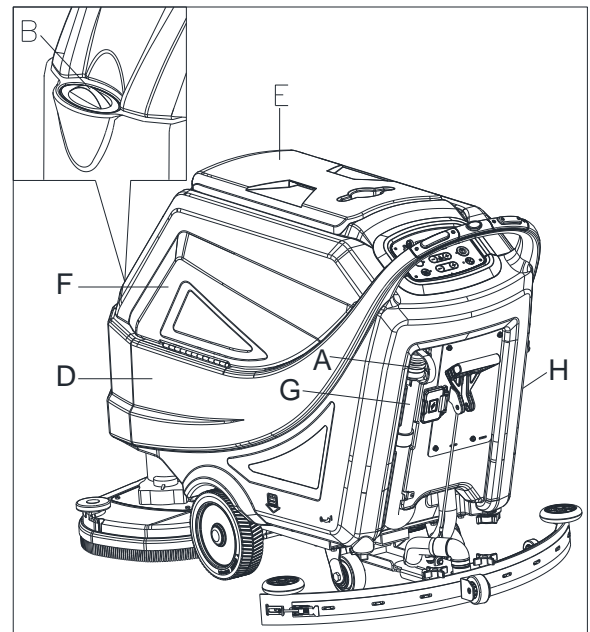
1. Åpne vanninntaksdekselet (V, figur 12).
2. Fyll med vann eller løsning som egner seg til arbeidsytelse gjennom vanninntaket med filteret.
Løsningstemperaturen må ikke overskride +104F (+40 °C).
3. Ikke overfyll tanken, se vannvåindikatoren (H) for vannvolum.

**ADVARSEL!**

Bruk bare lavtskummende og ikke-brennbare rengjøringsmidler som er beregnet for gulvrengjøringsmaskiner.

START OG STOPP AV MASKINEN**Starte maskinen**

1. Klargjør maskinen som beskrevet i forrige avsnitt.
2. Sett inn tenningsnøkkelen (A, figur 13) vend "I". Kontroller batteristatus fra displayskjermen. Ved behov batteriene (se prosedyren i kapittelet Vedlikehold).
3. Kjør maskinen til arbeidsområdet:
 - Ved å trykke enten på sikkerhetsbryteren (F) for å flytte fremover eller ved å trykke på sikkerhetsbryteren (F) sammen med reversbryteren (G) for å flytte bakover. Kjørehastigheten kan justeres med hastighetskontrollen (H).
4. Senk nalen (I) med nalløfte-/senkespaken (J).
5. Senk børste-/puteholderdekket (K) ved å trykke på enknapps start (L).
6. Trykk løsningsflytknappene (O) etter behov, avhengig av typen av rengjøring som skal utføres.
7. Start rengjøring:
 - Trykk en av sikkerhetsbryterne (F) for å aktivere maskindrevet. Kjørehastigheten kan justeres med hastighetskontrollen (H).



Figur 12

**MERK**

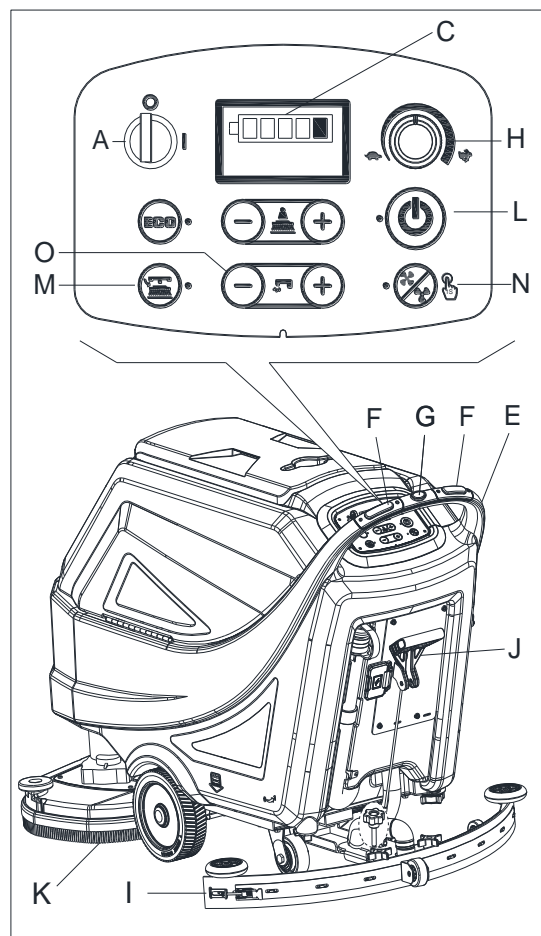
For å kjøre maskinen forover, trykk på venstre eller høyre sikkerhetsbryter (F, figur 13) eller begge to.

Stoppe maskinen

8. Stopp maskinen ved å slippe sikkerhetsbryterne (F, figur 13).
9. Børstene stopper. Sugemotoren stopper etter noen få sekunder.
10. Løft børste-/puteholderdekket (K) ved å trykke på enknapps start (L).
11. Løft nalen (I) med nalløfte-/senkespaken (J).
12. Vri tenningsnøkkelen (A) til "0".
13. Sørg for at maskinen ikke kan bevege seg utilsiktet.

MASKINDRIFT (SKRUBBING OG TØR KING)

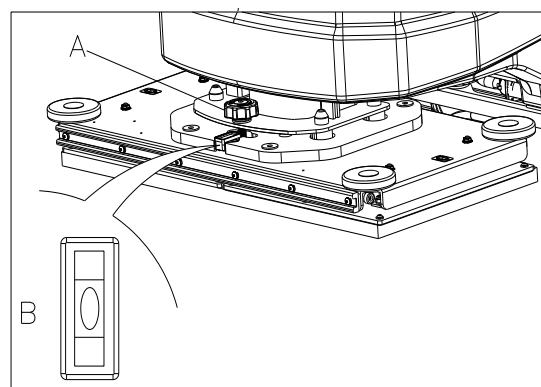
1. Start maskinen som beskrevet i forrige avsnitt.
2. Samtidig som en sikkerhetsbryter (35, figur 2) trykkes, manøvrer maskinen og start skrubbing/tøring av gulvet.
3. Stopp eventuelt maskinen og juster nalen i henhold til avsnittet "Justere nalbalansen".



Figur 13

JUSTERE NIVÅET TIL ORBITALT DEKK (KUN FOR ORBITAL MASKIN)

1. Sett inn tenningsnøkkelen (42) og vri den til "I".
Senk børste-/puteholderdekket (25) ved å trykke på enknapps start (49).
2. juster nivået til det orbitale dekket ved å justere håndtaket (A, figur 14), slik at boblen er i midten (B, figur 14).



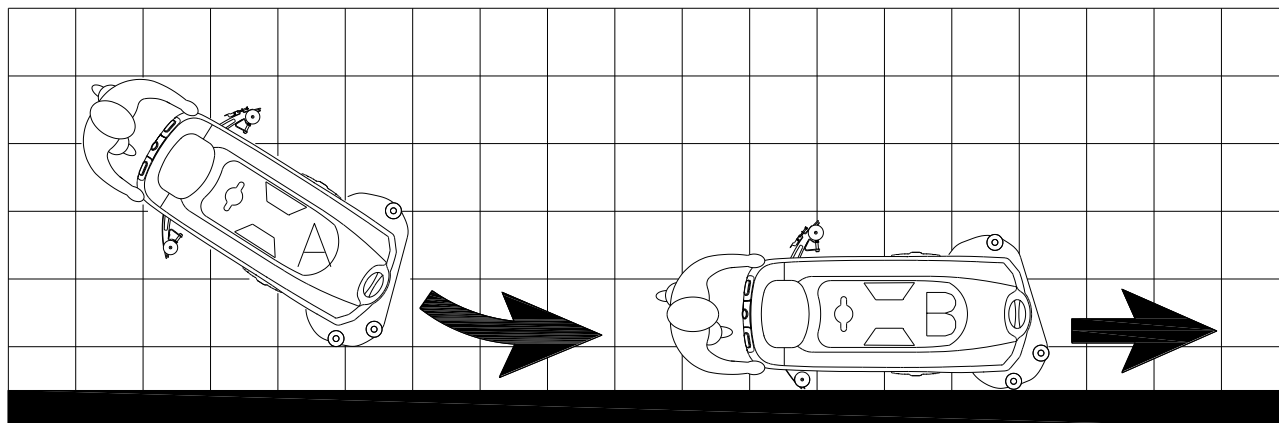
Figur 14

**MERK**

For riktig skrubbing/tørking av gulv på siden av veggene. Det anbefales å la maskinen gå med høyre side mot vegg, som vist på figuren (A og B, figur 15).

**FORSIKTIG!**

For å unngå skade på gulvflaten, må børsten/pad-holderen stoppes når maskinen står i ro på ett sted, spesielt når funksjonen for ekstra trykk på gulvet er aktiv.



Figur 15

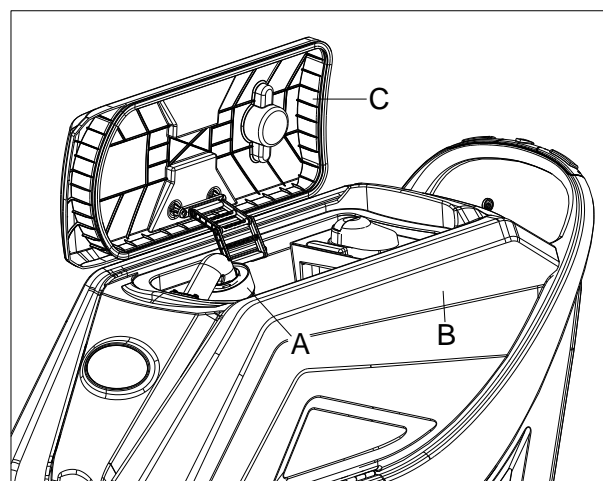
TØMMING AV TANK

Et automatisk flottørsystem (A, Fig. 16) blokkerer sugesystemet når oppsamlingstanken (B) er full. Deaktivering av sugemotoren indikeres med en plutselig økning i støyet fra sugemotoren, og gulvet har ikke blitt tørket skikkelig.

**FORSIKTIG!**

Hvis sugemotoren slås av utilsiktet (for eksempel hvis flottøren aktiveres på grunn av en plutselig maskinbevegelse), gjør følgende for å gjenoppta driften: Slå av sugemotoren ved å trykke på bryteren (50, Fig. 3), åpne deretter dekselet (C, Fig. 16) og sjekk at flottøren i gitteret (A) har gått ned til væsknivået. Lukk deretter dekselet (C) og slå på sugemotoren med bryteren (50, Fig. 3).

Når oppsamlingstanken (B, figur 16) er full, tøm den i henhold til følgende prosedyre.



Figur 16

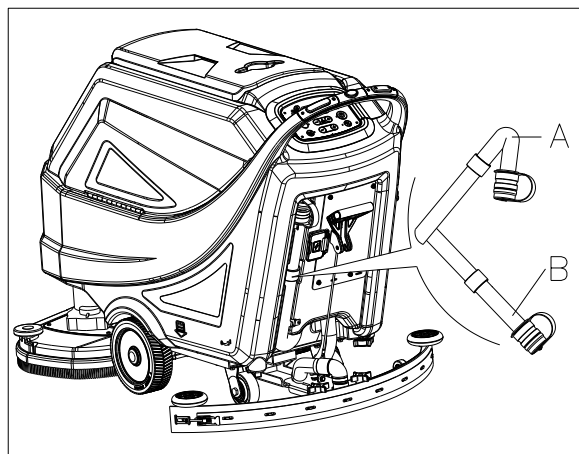
Gjenvinningstanken tømmes

1. Stopp maskinen.
2. Løft børste-/puteholderdekket (25, figur 1) ved å trykke på enknapps start (49, figur 3) eller gjenstart maskinen med tenningsnøkkelen (42, figur 3).
3. Løft nalen (11, figur 1) med nalløfte-/senkespaken (39, figur 2).
4. Kjør maskinen til et sted den kan tømmes.
5. Tøm gjenvinningsvanntanken med slangen (A, figur 17). Skyll deretter tanken (B, figur 16) med rent vann.



FORSIKTIG!

Når avfallsvannet tømmes, må støvsugerslangen for avfall floles (A, figur 17) og senkes til en lavere posisjon (B, figur 17), og deretter må lokket på støvsugerslangen åpnes for avfall for å tømme vannet. Ikke la utløpet på slangen vende oppover slik at vannet renner ut vertikalt. Dette er for å unngå at operatøren blir tilsølt.



Figur 17

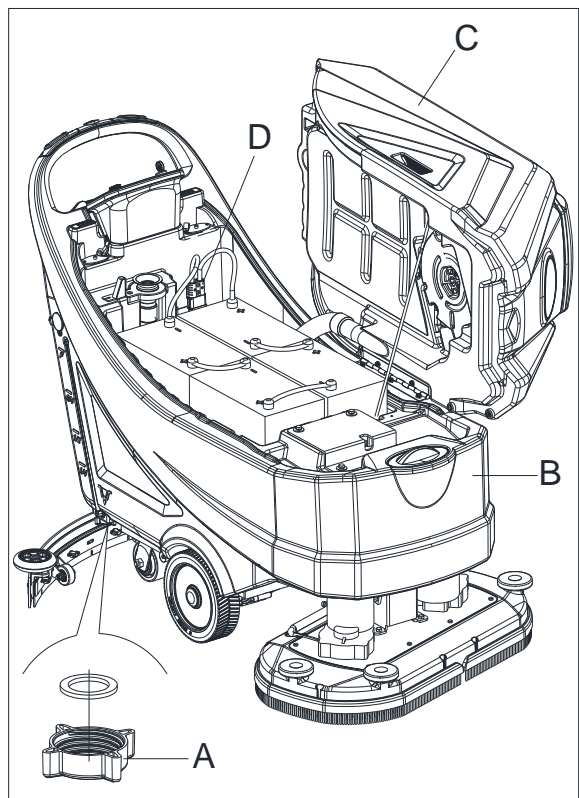
Tømming av vaskemiddel-/rentvannstank

1. Tøm gjenvinningsvanntanken med utgangsdekslet (A, figur 18). Skyll tanken med rent vann når arbeidet er ferdig.

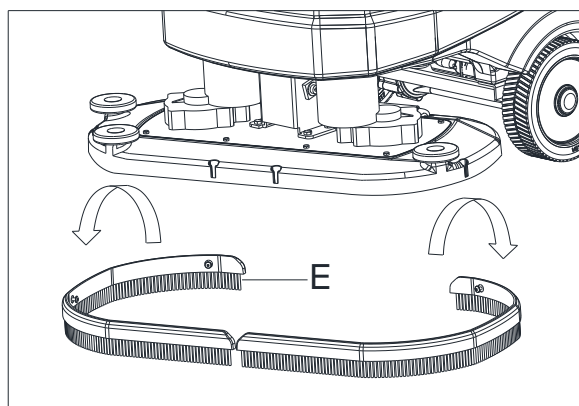
ETTER BRUK AV MASKINEN

Etter arbeidet er ferdig, før du forlater maskinen:

1. Fjern børste-/puteholderne ved å trykke på frigivelsesknappen (44, figur 3) og rengjør dem (kun for skivemaskin).
2. Fjern sprutvernet som (E, figur 19) og rengjør det. (Kun for skivemaskin)
3. Fjern puten og rengjør den. (Kun for orbital maskin)
4. Tøm tankene (B og C, figur 18) slik som vist i forrige avsnitt.
5. Gjennomfør daglig vedlikehold (se delen som omhandler vedlikehold).
6. Sett maskinen til lagring på et rent og tørt sted, med børste/pad-holderen og nalen vippet opp eller fjernet.



Figur 18



Figur 19

MASKINOPPBEVARING VED LANG INAKTIVITET

Hvis maskinen ikke skal brukes på 30 dager eller mer, gjør følgende:

1. Gjennomfør trinnene som beskrevet under "Etter bruk av maskinen".
2. Koble fra batterikontakten (29, figur 2).

FØRSTE DRIFTSPERIODE

Etter de første 8 driftstimen må stramheten maskinens festeordninger og forbindelsesdeler sjekkes, samt at synlige deler må sjekkes for slitasje og lekkasje.

VEDLIKEHOLD**ADVARSEL!**

Vedlikehold må utføres etter at maskinen er slått av og batteriladerkabelen er frakoblet. I tillegg må du lese nøye gjennom sikkerhetsinstruksene i håndboken.

Alle planlagte eller ekstraordinære vedlikeholdsprosedyrer må utføres av kvalifisert personell eller et autorisert servicesenter. Denne håndboken beskriver kun de generelle og vanlige vedlikeholdsprosedyrene.

For andre vedlikeholdsprosedyrer som ikke er beskrevet i vedlikeholdsplanen, henvises det til servicehåndboken som kan fås hos våre servicesentre.

VEDLIKEHOLDSPLAN**FORSIKTIG!**

Prosedyren som er merket med (1) må utføres når maskinen har vært brukt i 8 timer for første gang. Prosedyrene som er merket med (2) gjøres av et servicesenter som er godkjent av oss.

Prosedyre	Daglig, etter hver bruk	Ukentlig	Halvårlig	Årlig
Batterilading				
Rengjøring av nal				
Rengjøring av børste/pad-holder				
Tankrengjøring				
Sjekk av tetningslist på tank				
Rengjøring av flottørfiler				
Puterengjøring				
Sprutvernrengjøring (kun for skivemaskin)				
Sjekk og skift av nal				
Rengjøring av rentvannsfiler				
Rengjøring av sugefiler				
Sjekk av væsknivå på våtbatteri				
Sjekk av stramheten på skruer og mutre			(1)	
Nedre isolator (kun for orbital maskin)			(2)	
Kontroll eller utskiftning av børstemotorkarbonbørste				(2)
Kontroll eller utskiftning av støvsugermotorkarbonbørste				(2)
Kontroll eller utskiftning av drivsystemmotorkarbonbørste				(2)

WPROWADZENIE**PRZESTROGA!**

Instrukcja nie zawiera niektórych ogólnych i szczegółowych informacji.

Prosimy o przeczytanie SKRÓCONEJ INSTRUKCJI URUCHAMIANIA dostarczonej na płycie CD-ROM, korzystając z programu Adobe® Reader®.

**UWAGA**

Liczby w nawiasach odnoszą się do elementów pokazanych w rozdziale Opis maszyny.

CEL I ZAWARTOŚĆ PRZEWODNIKA

Celem SKRÓCONEJ INSTRUKCJI URUCHAMIANIA jest przekazanie operatorom podstawowych informacji potrzebnych do właściwego użytkowania urządzenia. Informacji dotyczących danych technicznych, obsługi, bezczynności urządzenia, konserwacji, części zamiennych i bezpieczeństwa należy szukać w SKRÓCONEJ INSTRUKCJI URUCHAMIANIA dostarczonej na płycie CD-ROM.

Przed przystąpieniem do jakichkolwiek czynności przy maszynie operatorzy i wykwalifikowani technicy muszą przeczytać uważnie dokument „Skrócona instrukcja uruchamiania”. W razie jakichkolwiek wątpliwości dotyczących interpretacji instrukcji lub potrzeby uzyskania informacji dodatkowych należy się skontaktować z naszą firmą.

SPOSÓB PRZECHOWYWANIA NINIEJSZYCH SKRÓCONEJ INSTRUKCJI URUCHAMIANIA

Skróconą instrukcję uruchamiania należy przechowywać w pobliżu urządzenia, w odpowiednim schowku, zabezpieczoną przed płynami i innymi substancjami, które mogłyby ją zniszczyć.

DEKLARACJA ZGODNOŚCI

Deklaracja zgodności dołączona do urządzenia potwierdza zgodność maszyny z obowiązującymi przepisami.

**UWAGA**

Do dokumentacji maszyny dołączono dwa oryginalne egzemplarze deklaracji zgodności.

AKCESORIA I KONSERWACJA

Czynności obsługowe, konserwacyjne i naprawy może prowadzić tylko wykwalifikowany personel albo punkt serwisowy wyznaczony przez naszą firmę. Należy używać TYLKO oryginalnych części zamiennych i akcesoriów.

W celu uzyskania serwisu lub nabycia akcesoriów bądź części zamiennych, prosimy o kontakt z naszym centrum obsługi klienta.

ZMIANY I MODERNIZACJE

Nasza firma stale ulepsza swoje produkty i zastrzega sobie prawo do wprowadzania zmian i modernizacji bez dodatkowego informowania o tym.

ZASTOSOWANIE

Szczotka nadaje się do użytku komercyjnego i przemysłowego. Służy do czyszczenia gładkich i twardych podłóg i musi być obsługiwana przez wykwalifikowany personel, w bezpiecznym otoczeniu. Nie nadaje się do użytkowania na zewnątrz, ani do czyszczenia wykładzin lub podłóg o szorstkiej powierzchni.

DANE IDENTYFIKACYJNE MASZYNY

Model oraz numer seryjny urządzenia znajduje się na tabliczce znamionowej.

To ważne informacje. Prosimy w tabeli poniżej wpisać te dane, bo będą potrzebne przy zamawianiu części zamiennych.

MODEL MASZYNY.....
NUMER SERYJNY MASZYNY.....

TRANSPORT I ODPAKOWANIE

Po dotarciu urządzenia na miejsce, sprawdzić czy opakowanie i maszyna nie uległy uszkodzeniu w czasie transportu. W przypadku stwierdzenia jakichkolwiek uszkodzeń, prosimy o zgłoszenie tego przewoźnikowi oraz o zastrzeżenie sobie prawa do rekompensaty przed przyjęciem towaru.

Podczas odpakowywania maszyny, ściśle przestrzegać zaleceń znajdujących się na opakowaniu.

Sprawdzić czy opakowanie zawiera:

1. Dokumentacja techniczna Skrócona instrukcja uruchamiania
2. Lista części.(*)
3. Podłączanie akumulatora.
4. Instrukcja elektronicznego prostownika do akumulatorów (jeżeli występuje) (*)

BEZPIECZEŃSTWO

Poniższe symbole wskazują na potencjalne niebezpieczeństwo. Zawsze czytać tak oznakowane informacje i przedsięwziąć wszelkie środki ostrożności w celu ochrony ludzi i mienia.

SYMBOLE NA URZĄDZENIU**OSTRZEŻENIE!**

Uważnie przeczytać instrukcje przed wykonaniem jakiegokolwiek czynności na urządzeniu.

**OSTRZEŻENIE!**

Nie myć urządzenia bezpośrednio wodą ani strumieniem wody pod ciśnieniem.

**OSTRZEŻENIE!**

Nie korzystaj z urządzenia na powierzchni o pochyleniu większym niż określono w specyfikacji.

SYMBOLE WYSTĘPUJĄCE W SKRÓCONEJ INSTRUKCJI URUCHAMIANIA**NIEBEZPIECZEŃSTWO!**

Wskazuje na wystąpienie niebezpiecznej sytuacji, śmiertelnie zagrażającej operatorowi.

**OSTRZEŻENIE!**

Wskazuje na potencjalne ryzyko powstania uszczerbku na zdrowiu ludzi.

**PRZESTROGA!**

Wskazuje na ostrzeżenie lub informację dotyczącą ważnej lub użytecznej funkcji. Zwracać uwagę na akapity z tym znakiem w tekście.

**UWAGA**

Wskazuje na informację dotyczącą jakiejś ważnej lub użytecznej funkcji.

**SPRAWDZIĆ**

Wskazuje na konieczność sięgnięcia do Skróconej instrukcji uruchamiania przed wykonaniem czynności.

OGÓLNA INSTRUKCJA BHP

Poniżej przedstawiono specyficzne ostrzeżenia informujące o możliwości doznania uszczerbku na zdrowiu lub uszkodzenia maszyny.

**NIEBEZPIECZEŃSTWO!**

- Maszynę może obsługiwać tylko przeszkolony i upoważniony personel, zgodnie z wytycznymi tej instrukcji.
- Przed przystąpieniem do jakiegokolwiek procedury czyszczenia, konserwacji, naprawy lub wymiany, należy uważnie przeczytać instrukcje, sprawdzić czy maszyna jest wyłączona i odłączona od akumulatora.
- Nie używać maszyny w miejscach, gdzie znajdują się toksyczne, niebezpieczne, łatwopalne i/lub wybuchowe materiały sypkie, ciecze lub opary. Urządzenie nie nadaje się do zbierania niebezpiecznych pyłów.
- Pracując przy podzespołach elektrycznych, nie należy nosić biżuterii.
- Nie należy pracować pod podniesioną maszyną, jeśli nie jest ona w bezpieczny sposób podparta.
- Jeżeli stosuje się akumulatory kwasowe mokre, które w normalnych warunkach eksploatacji wydzielają palny gaz, należy je trzymać z dala od iskier, otwartego ognia, materiałów wydzielających dym, przedmiotów promieniujących, świecących i palących się.
- Akumulatory kwasowe mokre w czasie ładowania mogą wydzielać wybuchowy, gazowy wodór. Ładowanie musi być wykonywane w dobrze wentylowanym miejscu, z dala od nieosłoniętego ognia.

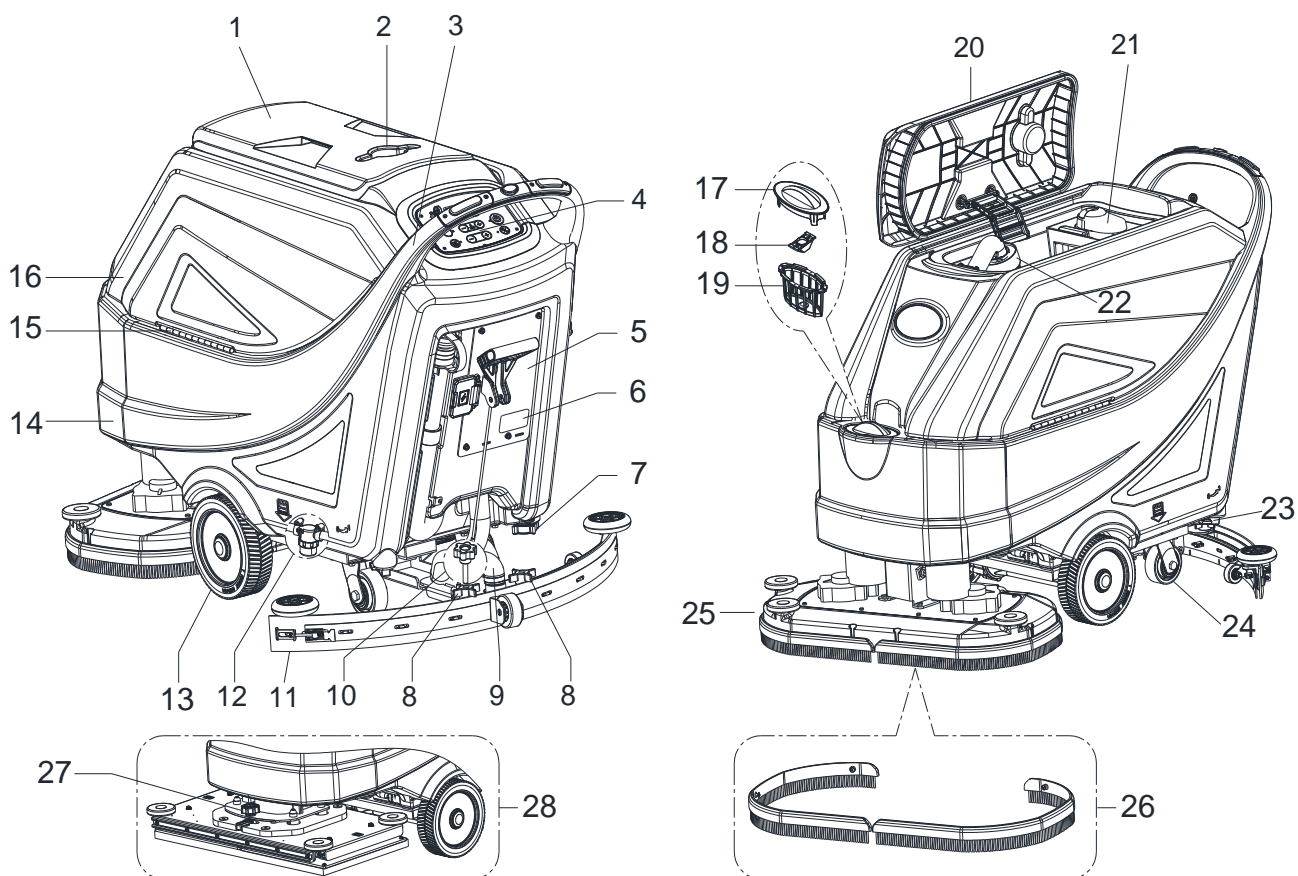
**OSTRZEŻENIE!**

- Maszyna jest przeznaczona do UŻYTKU KOMERCYJNEGO, np. w hotelach, szkołach, szpitalach, zakładach przemysłowych, sklepach, biurach czy wypożyczalniach.
- W przypadku pozostawiania maszyny bez nadzoru należy ją zabezpieczyć przed przypadkowym poruszeniem się.
- Aby zapobiec użyciu maszyny bez zezwolenia, należy odłączać lub blokować zasilanie, na przykład wyjmując kluczyk z głównego wyłącznika lub ze stacyjki.
- Przed każdym użyciem dokładnie sprawdzać stan maszyny. Przed użyciem sprawdzić czy dobrze poskładano wszystkie części. W przeciwnym wypadku ludzie mogą doznać uszczerbku na zdrowiu lub mogą powstać szkody materialne.
- Przed użyciem ładowarki sprawdzić, czy wartości częstotliwości i napięcia, podane na tabliczce znamionowej, są zgodne z parametrami zasilania sieciowego.
- Nie przemieszczać maszyny ciągnąc za kabel ładowarki. Nie przeciskać kabla przez szczelinę w drzwiach, ani nie nawijać go na ostre krawędzie lub rogi. Nie wolno prowadzić urządzenia ciągnąc za kabel ładowarki. Trzymać kabel ładowarki z dala od rozgrzanych powierzchni.
Nie ładować akumulatorów, jeśli kabel lub wtyczka ładowarki jest uszkodzona.
- Aby ograniczyć ryzyko wystąpienia pożaru, porażenia elektrycznego lub obrażeń, przed opuszczeniem maszyny należy się upewnić, że jest ona wyłączona.
- Maszynę należy użytkować i przechowywać wewnątrz pomieszczeń, w warunkach suchych. Użytkowanie na zewnątrz jest niedozwolone.
- Temperatura pracy oraz przechowania maszyny musi mieścić się w zakresie od 0°C do +40°C, a wilgotność powietrza w zakresie od 30% do 95%.
- Nie używać maszyny na pochyłościach o nachyleniu większym niż określono w specyfikacji.
- W przypadku stosowania detergentów do podłóg, przestrzegać instrukcji podanych na etykietach umieszczonych na pojemnikach z tymi środkami oraz nosić odpowiednie rękawice i inne zabezpieczenia.
- Używać szczotek i poduszek dostarczanych wraz z maszyną lub wymienionych w instrukcji. Inne szczotki lub pady mogą obniżyć bezpieczeństwo.
- W przypadku nieprawidłowego działania maszyny, należy upewnić się, że nie jest to spowodowane brakiem konserwacji. W razie konieczności, zwrócić się o pomoc do upoważnionego personelu lub autoryzowanego punktu serwisowego.
- Należy przedsięwziąć wszelkie środki ostrożności, aby zapobiec zahaczeniu się włosów, biżuterii lub luźnych ubrań o ruchome części maszyny.
- Nie używać maszyny w miejscach szczególnie zapyłonych.

- Nie myć urządzenia strumieniem wody pod ciśnieniem ani przy użyciu substancji żrących.
- Nie uderzać w regały i rusztowania, zwłaszcza jeżeli istnieje ryzyko spadnięcia z nich przedmiotów.
- Nie kłaść pojemników z płynami na maszynie; używać odpowiednich uchwytów na pojemniki.
- Aby nie uszkodzić podłogi, nie uruchamiać szczotki/poduszki w stojącej maszynie.
- W przypadku pożaru stosować gaśnice proszkowe. Nie stosować gaśnic płynowych.
- Nie usuwać ani nie zmieniać naklejek umieszczonych na maszynie.
- Nie wolno naruszać elementów zabezpieczających maszyny i należy stosować się ściśle do standardowych instrukcji konserwacji.
- Zachowywać szczególną ostrożność podczas transportowania maszyny w temperaturach poniżej zera. Woda w zbiorniku odzysku i w węzłach może zamarznąć i uszkodzić urządzenie.
- Jeżeli potrzebne są części zamienne, należy zamawiać ORYGINALNE części u autoryzowanych agentów lub sprzedawców.
- Jeżeli maszyna nie działa prawidłowo, uległa uszkodzeniu, została pozostawiona na zewnątrz albo wpadła do wody, należy ją oddać do punktu serwisowego.
- Aby zapewnić prawidłowe i bezpieczne działanie maszyny, należy przeprowadzać okresowe przeglądy techniczne opisane w stosownym rozdziale niniejszej instrukcji, które muszą być wykonywane tylko przez uprawnionych pracowników lub autoryzowany serwis.
- Z powodu obecności materiałów toksycznych i szkodliwych (akumulatory itp.), które zgodnie z obowiązującymi normami wymagają utylizacji w specjalnych ośrodkach, maszynę należy poddać właściwej utylizacji (patrz rozdział poświęcony złomowaniu).
- Maszyna jest przeznaczona wyłącznie do czyszczenia i nie wolno jej używać do żadnych innych celów.
- Chronić otwory przed pyłem, włosami i innymi ciałami obcymi, które mogą ograniczyć przepływ powietrza. Nie używać urządzenia, w którym otwory zostały zaczopowane.
- Z maszyny należy korzystać wyłącznie w warunkach odpowiedniego oświetlenia.
- Maszyna nie jest przeznaczona do użytku przez osoby (w tym dzieci) o obniżonych zdolnościach fizycznych, czuciowych lub umysłowych albo bez odpowiedniego doświadczenia i wiedzy.
- Należy zwracać baczność uwagę na dzieci znajdujące się w pobliżu miejsca pracy.
- Dzieci należy pilnować, aby nie używały maszyny do zabawy.
- Podczas użytkowania maszyny uważać, by nie spowodować uszczerbku na zdrowiu ludzi ani szkód materialnych.
- Czyszczenie i konserwacja nie powinny być wykonywane przez dzieci bez nadzoru.

OPIS URZĄDZENIA
BUDOWA MASZYNY (jak na Rys. 1)

1. Pokrywa zbiornika zwrotnego
2. Uchwyt na pojemnik
3. Kierownica
4. Panel sterowania
5. Skrzynka sterownicza
6. Tabliczka z numerem seryjnym/danymi technicznymi
7. Pokrywa wylotu
8. Pokrętła zgarniaka
9. Wąż podciśnieniowy zgarniaka
10. Pokrętło regulacji równowagi zgarniaka
11. Zgarniak
12. Filtr roztworu
13. Koła jezdne
14. Zbiornik na roztwór
15. Zawias
16. Zbiornik zwrotny
17. Oslona filtra
18. Uchwyt węża do napełniania
19. Podpora filtra
20. Uszczelka pokrywy zbiornika
21. Pojemnik na odpady
22. Filtr pływakowy
23. Zawór roztworu/czystej wody
24. Tylne koła skrętne
25. System szczotki (tylko dla maszyny z talerzem)
26. Oslona przed rozpryskami
27. Pokrętło regulacji głowicy orbitalnej
28. System orbitalny (tylko dla maszyny orbitalnej)

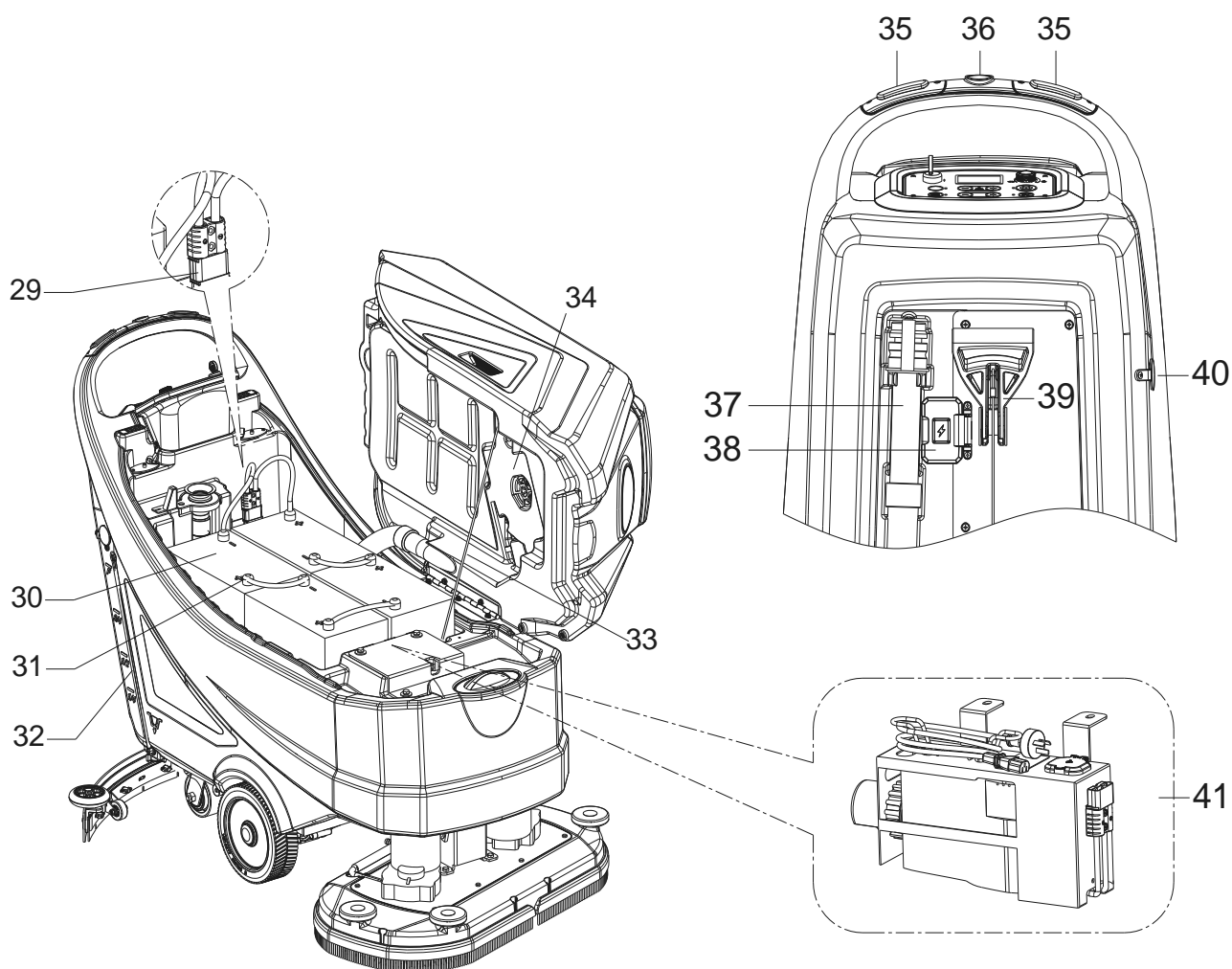


Rys. 1

BUDOWA URZĄDZENIA (jak na Rys. 2).

- 29. Złącze akumulatora (czerwone)
- 30. Akumulatory (*)
- 31. Korki akumulatorów
- 32. Rurkowy wskaźnik poziomu wody
- 33. Linka zabezpieczenia zbiornika
- 34. System ssący
- 35. Wyłącznik bezpieczeństwa
- 36. Przełącznik cofania maszyny
- 37. Wąż spustowy odzysku wody
- 38. Pokrywa bezpieczeństwa gniazda ładowania
- 39. Dźwignia podnoszenia/opuszczania zgarniaka
- 40. Boczny korek wlewu zbiornika roztworu
- 41. Ładowarka pokładowa (*)

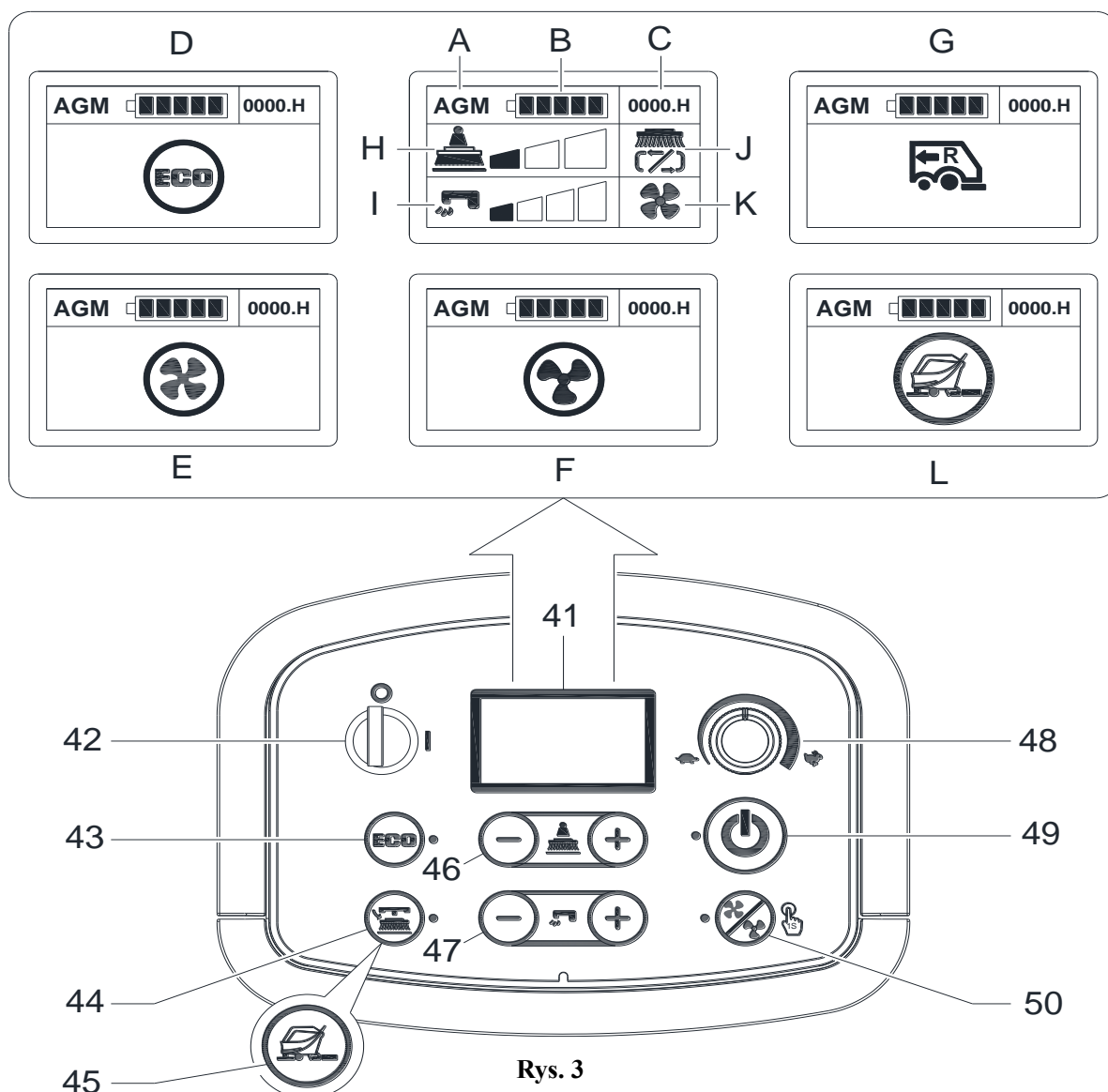
(*): opcja



Rys. 2

PANEL STEROWANIA (jak na Rys. 3)

41. Wyświetlacz wielofunkcyjny
Wyświetlane pozycje:
- A) Typ akumulatora
 - B) Poziom naładowania akumulatora
 - C) Godziny pracy
 - D) Tryb ECO
 - E) Odkurzanie – tryb normalny
 - F) Odkurzanie – tryb cichy
 - G) Tryb cofania
 - H) Włączony dodatkowy docisk
 - I) Ilość przepływu roztworu detergentu
 - J) Tryb pracy szczotki
 - K) Tryb odkurzania
 - L) Tryb przygotowania posadzki
42. Kluczyk zapłonowy (0 – I)
43. Przycisk trybu ECO
- Dioda LED wł. – funkcja poniżej aktywna
 - minimalny przepływ wody (poziom 1)
 - minimalne ciśnienie (poziom 1)
 - Odkurzanie w trybie cichym
44. Przycisk zwalniania szczotki/uchwyty poduszki (tylko maszyna z talerzem)
- Migająca dioda LED – układ zwalniania włączony
45. Przycisk przygotowania posadzki (tylko maszyna orbitalna)
- Wstępnie ustawiona prędkość jazdy na 1 km/h
 - Dioda LED wł. – funkcja poniżej aktywna
 - minimalny przepływ wody (poziom 1)
 - maksymalne ciśnienie (poziom 3)
 - Odkurzanie w trybie normalnym
46. Przycisk regulacji docisku szczotki
47. Przycisk regulacji przepływu roztworu
48. Regulator prędkości
49. Przycisk uruchamiania
- Dioda LED wł. – funkcja poniżej aktywna
 - minimalny stan systemu wody (poziom 1)
 - minimalne ciśnienie (poziom 1)
 - system odkurzania normalny
50. Przycisk regulacji systemu odkurzania (aby włączyć nacisnąć przycisk na 1 sekundę)
- Dioda LED wł. – tryb normalny
 - Dioda LED miga – tryb cichy



Rys. 3

PARAMETRY TECHNICZNE

Rodzaj parametru	Jednostki	Model		
		AS6690T	AS7690T	AS7190TO
Pojemność zbiornika roztworu	l/gal	85 l/22 gal		
Pojemność zbiornika zwrotnego	l/gal	90 l/24 gal		
Długość maszyny	mm/cal	1490 mm/ 59 cala	1550 mm/ 61 cala	1490 mm/ 59 cala
Szerokość maszyny ze zgarniakiem	mm/cal	830 mm/ 33 cala	950 mm/ 38 cala	
Szerokość maszyny bez zgarniaka	mm/cal	730 mm/29 cali	830 mm/33 cali	750 mm/30 cali
Wysokość maszyny	mm/cal	1020 mm/40,2 cala		
Szerokość robocza	mm/cal	660 mm/26 cala	760 mm/30 cala	710 mm/28 cala
Średnica koła jezdnego	mm/cal	230 mm/9 cala		
Nacisk koła napędowego na podłoże	N/mm ²	0,67 N/mm ²		
Średnica tylnego koła	mm/cal	101 mm/4 cala		
Nacisk koła tylnego na podłoże	N/mm ²	0,82 N/mm ²		
Średnica szczotki/poduszki	mm/cal	330 mm x 2/ 13 cali x 2	380 mm x 2/ 15 cali x 2	355 x 710 mm/ 14 x 28 cali
Nacisk szczotki/poduszki (maks.)	kg/lbs	32 kg/71 lbs 41 kg/90 lbs 49 kg/108 lbs	35 kg/77 lbs 43 kg/95 lbs 51 kg/112 lbs	42 kg/93 lbs 54 kg/120 lbs 65 kg/143 lbs
Przepływ roztworu (maks.) w zależności od ustawienia	l/gal na minutę	(0,9/1,5/2,2/3) l (0,24/0,39/0,58/0,79) gal		(0,6/1,1/1,9/2,5) l (0,16/0,29/0,5/0,66) gal
Poziom ciśnienia akustycznego	dB(A)	69 ± 3 dB(A)		
Poziom ciśnienia akustycznego w trybie ECO lub w trybie cichym	dB(A)	65 ± 3 dB(A)		
Poziom drgań kierownicy (maks.)	m/s ²	< 2,5 m/s ²		
Zdolność pokonywania wzniesienia (maks.)	% nachylenia	2%		
Min. zakręt korytarza	cm/cal	155 cm/61 cali	165 cm/65 cali	160 cm/63 cali
Moc silnika napędowego	W/KM	250 W/0,33 KM		350 W/0,47 KM
Prędkość robocza	km/h / mile na godzinę	0 – 4,0 km/h / 0 – 2,5 mili na godzinę		0 – 3, 2 km/h / 0 – 2,0 mili na godzinę
Prędkość do przodu	km/h / mile na godzinę	0 – 4,0 km/h / 0 – 2,5 mili na godzinę		
Prędkość cofania	km/h / mile na godzinę	0 – 2,0 km/h / 0 – 1,25 mili na godzinę		
Moc silnika odkurzania	W/KM	500 W/0,66 KM		
Wydajność odkurzania	mm/cal H ₂ O	1500 mm/60 cali H ₂ O		
Wydajność odkurzania w trybie ECO lub w trybie cichym	mm/cal H ₂ O	900 mm/35 cali H ₂ O		
Moc silnika szczotki	W/KM	500 x 2 W/0,66 x 2 KM		750 W/1,0 KM
Prędkość szczotki w trybie normalnym	obr./min	200 obr./min		2200 obr./min
Prędkość szczotki w trybie ECO	obr./min	160 obr./min		1600 obr./min
Stopień ochrony IP	IP	IP24		
Wielkość komory akumulatora z ładowarką zewnętrzną (dł. x szer. x wys.)	mm/cal	(620 x 385 x 390) mm/24,4 x 15,1 x 15,3 cali		
Wielkość komory akumulatora z ładowarką pokładową (dł. x szer. x wys.) (*)	mm/cal	(535 x 385 x 390) mm/21 x 15,1 x 15,3 cali		
Napięcie	Prąd stały	24 V		
Akumulatory (*)	Ah	Nie dotyczy		
Czas pracy na zasilaniu z akumulatora (akumulatory standardowe) (*)	Godziny	Do 4 godzin		
Ładowarka pokładowa (*)	Napięcie/natężenie prądu	24V 25A		
Wydajność (maks.)	m ² /h	2640 m ² /h	3040 m ² /h	2272 m ² /h
Masa maszyny z pustymi zbiornikami (bez akumulatorów)	kg/lbs	135 kg/298 lbs	138 kg/304 lbs	148 kg/326 lbs
Masa pojazdu gotowego do jazdy	kg/lbs	347 kg/765 lbs	350 kg/772 lbs	360 kg/794 lbs
Masa wysyłkowa	kg/lbs	202 kg/444 lbs	205 kg/451 lbs	215 kg/473 lbs
Wymiary opakowania (dł. x szer. x wys.)	mm/cal	(1620 x 810 x 1200 mm)/(64 x 32 x 48 cali)	(1660 x 910 x 1200 mm)/ (66 x 36 x 48 cali)	

(*) : opcja

SPOSÓB UŻYCIA

**OSTRZEŻENIE!**

- Na niektórych częściach maszyny znajdują się naklejki wskazujące na:
- NIEBEZPIECZEŃSTWO!
 - OSTRZEŻENIE!
 - PRZESTROGA!
 - SPRAWDZIĆ

W trakcie czytania instrukcji, operator winien zwracać szczególną uwagę na te symbole. W żadnym wypadku nie wolno tych naklejek zasłaniać, a w przypadku uszkodzenia - natychmiast wymienić.

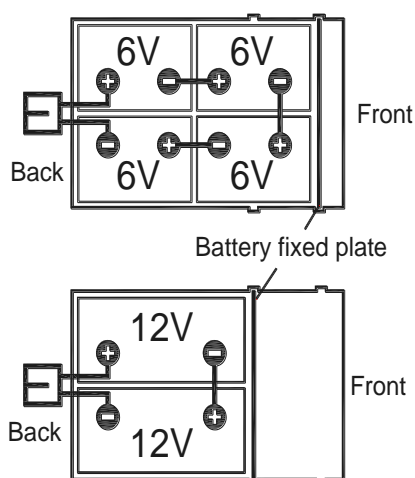
INSTALACJA I USTAWIENIE AKUMULATORÓW W NOWYM URZĄDZENIU

**OSTRZEŻENIE!**

Elementy elektryczne urządzenia mogą ulec poważnemu uszkodzeniu jeśli akumulatory zostaną nieprawidłowo zainstalowane albo podłączone. Tylko wykwalifikowany personel może instalować akumulatory. Ustawić funkcje tablicy elektronicznej i wbudowanej ładowarki akumulatorów zgodnie z typem używanych akumulatorów (elektrolitowe, żelowe lub AGM). Przed montażem akumulatorów sprawdzić, czy nie są one uszkodzone. Rozłączyć łącznik akumulatorów i wtyczkę ładowarki. Bardzo ostrożnie obchodzić się z akumulatorami. Założyć nakryvky ochronne przyłączy akumulatorów, dołączone do urządzenia.

Akumulatory już zainstalowane w maszynie

1. Sprawdzić, czy złącze akumulatora (29, Rys. 2) jest podłączone.
2. Przy pierwszym użyciu maszyny z nowymi akumulatorami należy wykonać pełny cykl ładowania (patrz procedura w rozdziale poświęconym konserwacji).

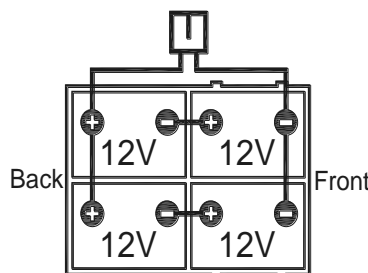


Rys. 4

**UWAGA**

Maszyna wymaga dwóch akumulatorów 12 V lub czterech akumulatorów 6 V, połączonych według schematu (Rys. 4).

Prawidłowo ustawić płytę mocowania akumulatorów (Rys. 4).

**Bez akumulatorów**

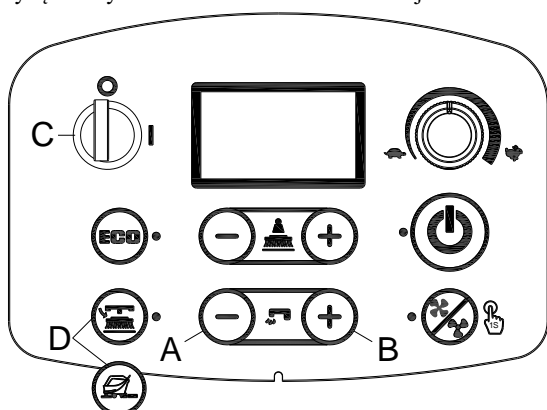
1. Kupić odpowiednie akumulatory (patrz akapit „Dane techniczne”). Akumulatory należy zakupić i instalować tylko w licencjonowanych punktach sprzedaży.
2. Wykonać ustawienia maszyny w zależności od typu zamontowanych akumulatorów zgodnie z opisem w części Super użytkownik rozdziału poświęconego konserwacji.

ZAKŁADANIE I USTAWIANIE TYPU AKUMULATORÓW (WET OR GEL/AGM OR DIS OR ENES)**Montaż akumulatora**

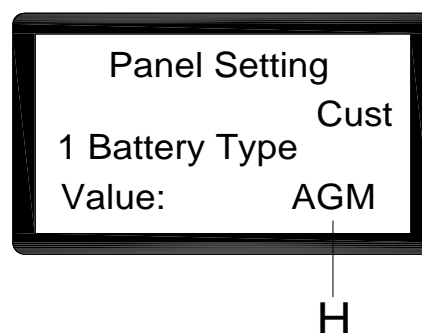
1. Otworzyć pokrywę zbiornika zwrotnego (1, Rys. 1) i sprawdzić, czy zbiornik zwrotny (16) jest pusty, a w razie konieczności opróżnić go za pomocą węża spustowego. (37, Rys. 2).
2. Zamknąć pokrywę zbiornika zwrotnego (1, Rys. 1).
3. Ostrożnie podnieść zbiornik zwrotny (16, Rys. 1).
4. Maszyna jest dostarczana z przewodami umożliwiającymi montaż dwóch akumulatorów 12 V lub czterech akumulatorów 6 V. Ostrożnie umieścić akumulatory w komorze, po czym prawidłowo je zainstaluj. Prawidłowo ustawić płytę mocowania akumulatorów (Rys. 4).
5. Ułożyć i zamontować przewód akumulatora zgodnie z rysunkiem (Rys. 4), a następnie ostrożnie dokręcić nakrętki wszystkich zacisków akumulatora.
6. Założyć kołpak ochronny na każdy zacisk, a następnie podłączyć złącze akumulatora (29, Rys. 2).
7. Ostrożnie opuścić zbiornik zwrotny (16, Rys. 1).

Ustawianie typu akumulatora (WET OR GEL/AGM OR DIS OR ENES)**Dostęp do trybu wyboru akumulatora**

Maszynę należy ustawić w zależności od rodzaju zastosowanych akumulatorów (elektrolitowe lub żelowe/AGM).



Rys. 5

Access to select battery mode

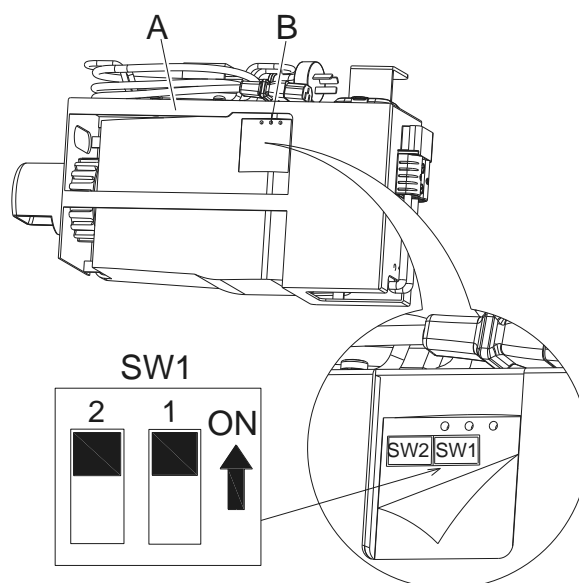
Rys. 6

1. Równocześnie nacisnąć przycisk „+” (A, Rys. 5) i „-” (B, Rys. 5) przepływu wody.
2. Włożyć kluczyk zapłonu (C, Rys. 5) i ustawić go w położeniu „I”.
3. Począkać kilkanaście sekund i wejść na ekran wyboru trybu akumulatora (Rys. 6).
4. Nacisnąć przycisk „-” (A, Rys. 5) i „+” (B, Rys. 5) przepływu wody, aby wybrać tryb akumulatora (H, Rys. 6)
5. Nacisnąć przycisk zwalniający dla wersji dysku lub przycisk przygotowania podłogi dla wersji orbitalnej (D, Rysunek 5), Po 3 sekundach pojawia się komunikat „Update OK” co oznacza powodzenie, włączyć ponownie. (C, Rys. 5).

Ustawienia ładowarki akumulatorów (tylko w przypadku zamontowanej ładowarki pokładowej)**OSTRZEŻENIE!**

Nie ustawiać ładowarki bez profesjonalnego przeszkolenia.

1. Wyłączyć maszynę i wymontować ładowarkę pokładową (A, Rys. 7) z maszyny. Podważyć etykietę na pokrywie ładowarki (B, Rys. 7). Znajdują się tam 2 zestawy mikroprzełączników (SW1 i SW2).
2. Tylko zestaw SW1 mikroprzełączników (po lewej stronie) wpływa na wybór krzywej ładowania zgodnie z poniższą tabelą.



Rys. 7

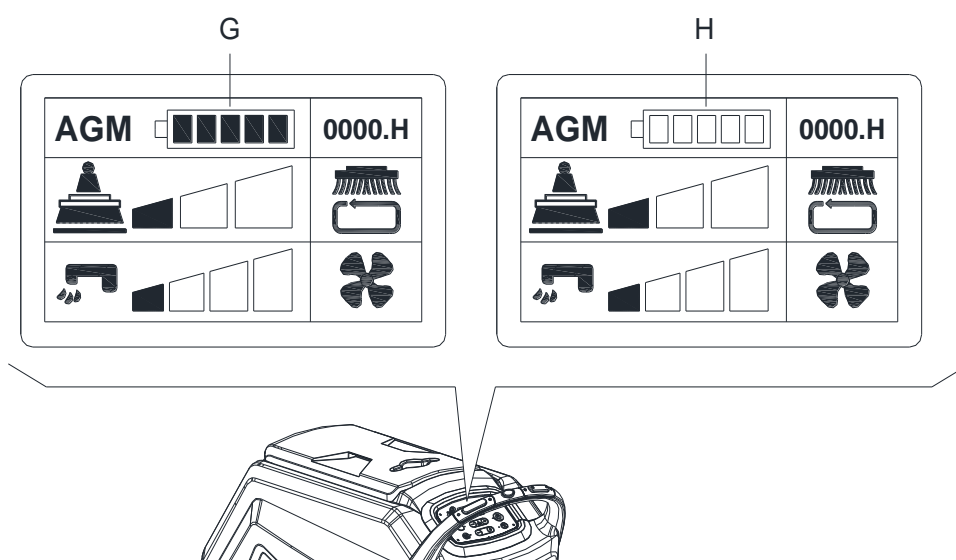
DP1	DP2	KRZYWA ŁADOWANIA
WŁ.	WYŁ.	IUIa-ACD dla akumulatorów kwasowo-ołowiowych
WYŁ.	WYŁ.	IUIa-GEL dla akumulatorów żelowych marki Exide-Sonnenschein
WYŁ.	WŁ.	IUU0-GEL dla akumulatorów żelowych HAZE i akumulatorów AGM innych producentów
WŁ.	WŁ.	IUIUa-AGM dla akumulatorów AGM Discover

Ładowanie akumulatorów

Całkowicie naładować akumulatory (patrz procedura w rozdziale „Konserwacja”).

Rozładowanie akumulatorów

Kiedy symbol akumulatora jest całkowicie wypełniony (G, Rys. 8), akumulatory umożliwiają normalną pracę maszyny. Kiedy symbol akumulatora wypełniony w niewielkim stopniu (H, Rys. 8), akumulatory należy naładować. Kilka sekund po pojawieniu się symbolu niskiego poziomu naładowania akumulatorów szczotka/uchwyt poduszki wyłącza się automatycznie, ale napęd pozostaje włączony. Natychmiast dojechać maszyną do ustalonego miejsca ładowania.



Rys. 8



PRZESTROGA!

Gdy akumulatory są rozładowane należy je naładować tak szybko jak to możliwe, ponieważ przedłuża to ich trwałość. Poziom naładowania akumulatorów należy sprawdzać co najmniej raz w tygodniu.

MONTAŻ I DEMONTAŻ SZCZOTKI/UCHWYTU PODUSZKI (tylko maszyna z talerzem)**UWAGA**

Zależnie od podłogi, jaka ma być czyszczona, do urządzenia montuje się szczotkę (A, Rys. 9), albo uchwyt pada (B i C, Rys. 9).

**PRZESTROGA!**

Przed montażem lub demontażem szczotki lub uchwytu poduszki sprawdzić, czy są wyłączone wszystkie przełączniki na maszynie, a zgarniak jest uniesiony nad podłogę. Aby zmniejszyć ryzyko wypadku, operator musi być wyposażony w stosowne środki ochrony indywidualnej, np. rękawice,

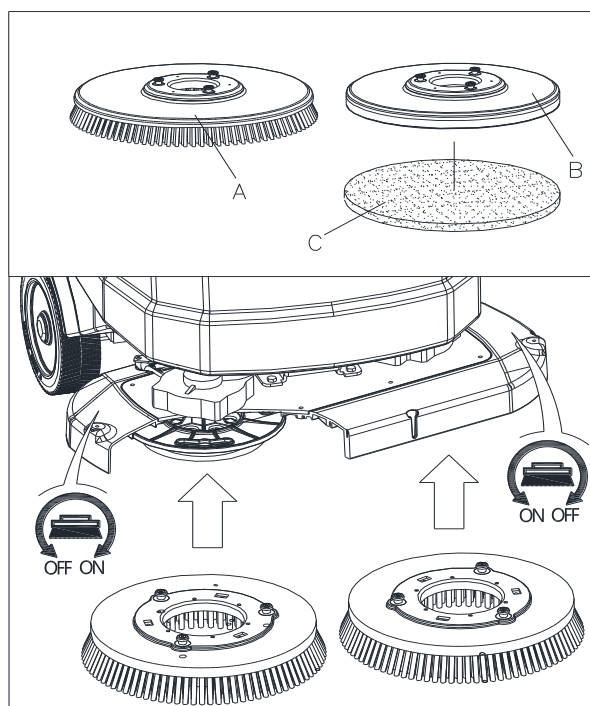
Postępować w następujący sposób:

MONTAŻ:

1. Włożyć kluczyk zapłonu (42, Rys. 3) i ustawić w położeniu „I”. Podnieść talerz. Wyłączyć maszynę i wyjąć kluczyk zapłonu (42).
2. Ustawić regulator prędkości (48) w położeniu biegu jałowego, obracając go w lewo.
3. Umieścić szczotkę (A, Rys. 9) lub uchwyt poduszki (B) pod talerzem.
4. Obracać ręcznie szczotkę/uchwyt poduszki w kierunku przeciwnym do normalnego kierunku obrotów — umożliwia to montaż. (jak na Rys. 9).

DEMONTAŻ:

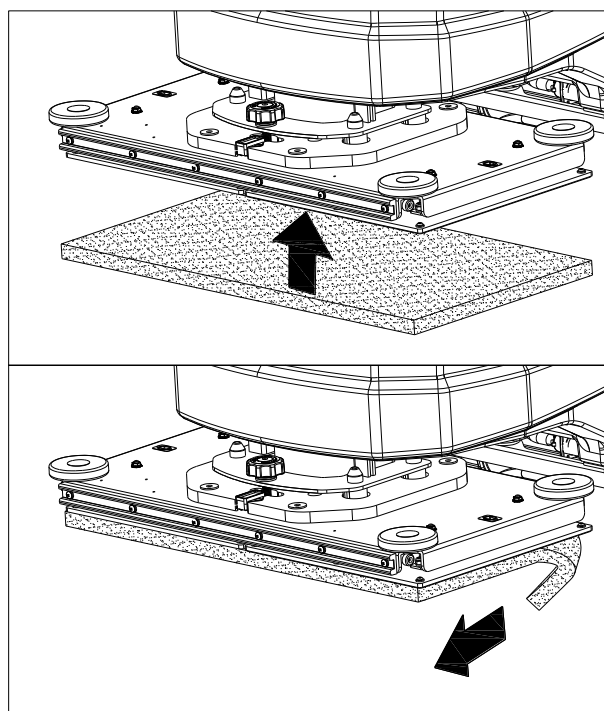
1. Włożyć kluczyk zapłonu (42, Rys. 3) i ustawić w położeniu „I”. Aby zdemontować szczotkę/uchwyt poduszki, podnieść talerz, naciskając przycisk (44) zwalniania szczotki/uchwytu poduszki, co powoduje automatyczne zwolnienie szczotki/uchwytu poduszki.



Rys. 9

MONTAŻ I DEMONTAŻ PODUSZKI (tylko maszyna orbitalna)

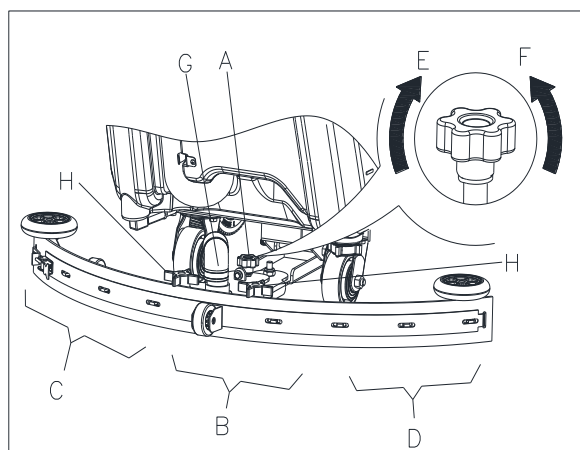
1. Włożyć kluczyk zapłonu (42, Rys. 3) i ustawić w położeniu „I”. Podnieść talerz. Wyłączyć maszynę i wyjąć kluczyk zapłonu.
2. Zamontować lub zdemontować poduszkę ręcznie (Rys. 10).



Rys.10

REGULACJA RÓWNOWAGI ZGARNIAKA

1. Zamontować zgarniak i dokręcić nakrętki (H, Rys. 11), a następnie podłączyć wąż ssący (G) do zgarniaka.
2. Ustawić zgarniak za pomocą uchwyty regulacji (A, Rys. 11).
 - a) Jeżeli środkowy odcinek tylnego pióra zgarniaka (B) nie styka się z podłogą, obracać pokrętło (A) w lewo (F) do momentu, aż wszystkie odcinki tylnego pióra zgarniaka dobrze zetkną się z podłogą. Przednie pióro ma tylko lekko dotykać podłogi.
 - b) Jeżeli obydwa odcinki końcowe tylnego pióra zgarniaka (C i D) nie stykają się z podłogą, obracać pokrętło (A) w prawo (E) do momentu, aż wszystkie odcinki tylnego pióra zgarniaka dobrze zetkną się z podłogą. Przednie pióro ma tylko lekko dotykać podłogi.

**Rys. 11****NAPEŁNIANIE ZBIORNIKA ROZTWORU**

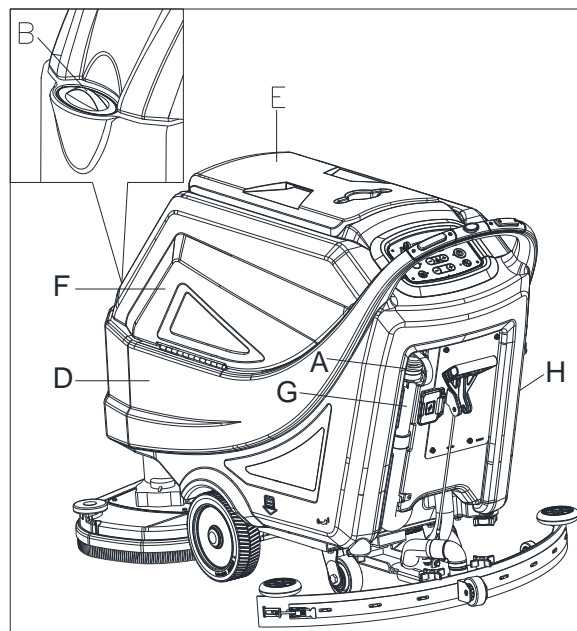
1. Otworzyć pokrywę wlotu wody (B, Rys. 12).
2. Napęlić wodą lub roztworem, stosownie do pracy, przez wlot wody z filtrem.
Temperatura roztworu nie może przekraczać +104F (+40°C).
3. Nie przepęlić zbiornika, patrzeć na wskaźnik poziomu wody (H).

**OSTRZEŻENIE!**

Stosuj detergenty przeznaczone do automatycznych urządzeń myjących - niskopięniące i niepalne.

URUCHAMIANIE I ZATRZYMYWANIE URZĄDZENIA**Uruchamianie urządzenia**

1. Przygotować maszynę do uruchomienia zgodnie z instrukcjami z poprzedniego rozdziału.
2. Włożyć kluczyk zapłonu (A, Rys. 13) i ustawić w położeniu „I”. Na wyświetlaczu sprawdzić stan akumulatorów. W razie potrzeby naładować akumulatory (patrz procedura w rozdziale „Konservacja”).
3. Dojechać maszyną do miejsca pracy:
 - naciskając wyłącznik bezpieczeństwa (F), aby jechać do przodu lub naciskając wyłącznik bezpieczeństwa (F) równocześnie z przełącznikiem cofania (F), aby jechać do tyłu. Szybkość jazdy do przodu reguluje się pokrętłem (H).
4. Opuścić zgarniak (I) za pomocą dźwigni podnoszenia/opuszczania zgarniaka (J).
5. Opuścić talerz szczotki /uchwyty poduszki (K), naciskając przycisk uruchamiania (L).
6. Naciskać przyciski sterowania przepływem (O) stosownie do potrzeb w zależności od planowanego rodzaju czyszczenia.
7. Rozpocząć czyszczenie:
 - za pomocą dowolnego wyłącznika bezpieczeństwa (F) rozpocząć jazdę. W razie potrzeby, szybkość jazdy do przodu można regulować pokrętłem (H).

**Rys. 12**

**UWAGA**

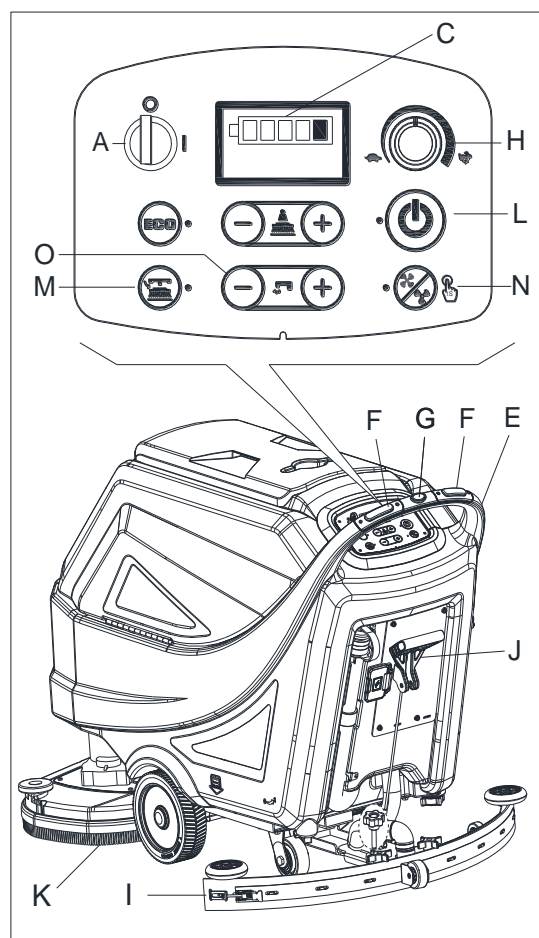
Aby przemieścić maszynę do przodu nacisnąć albo lewy, albo prawy wyłącznik bezpieczeństwa (F, Rys. 13) lub oba wyłączniki.

Zatrzymywanie urządzenia

8. Zatrzymać maszynę, zwalniając wyłączniki bezpieczeństwa (F, Rys. 13).
9. Szczotki zatrzymują się. Ssawa zakończy pracę po kilku sekundach.
10. Podnieść talerz szczotki /uchwyty poduszki (K), naciskając przycisk uruchamiania (L).
11. Podnieść zgarniak (I) za pomocą dźwigni podnoszenia/opuszczania zgarniaka (J).
12. Ustawić kluczyk zapłonu (A) w położeniu „0”.
13. Upewnić się, że maszyna nie może ruszyć samodzielnie.

EKSPLOATACJA URZĄDZENIA (CZYSZCZENIE SZCZOTKĄ I SUSZENIE)

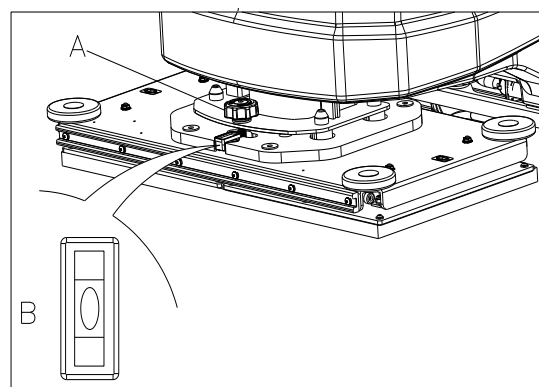
1. Uruchomić maszynę zgodnie z instrukcjami z poprzedniego rozdziału.
2. Naciskając dowolny wyłącznik bezpieczeństwa (35, Rys. 2), manewrować maszyną i rozpocząć zmiatanie/osuszanie podłogi.
3. W razie potrzeby, zatrzymać urządzenie i wyregulować zgarniak zgodnie z opisem w rozdziale "Regulacja równowagi zgarniaka".



Rys. 13

REGULACJA POZIOMU TALERZA ORBITALNEGO (TYLKO MASZYNA ORBITALNA)

1. Włożyć kluczyk zapłonu (42) i ustawić go w położeniu „I”.
- Opuścić talerz szczotki /uchwyty poduszki (25), naciskając przycisk uruchamiania (49).
2. Wyregulować poziom talerza orbitalnego za pomocą uchwyty regulacyjnego (A, rys. 14), tak aby pęcherzyk powietrza znajdował się na środku (B, Rys. 14).



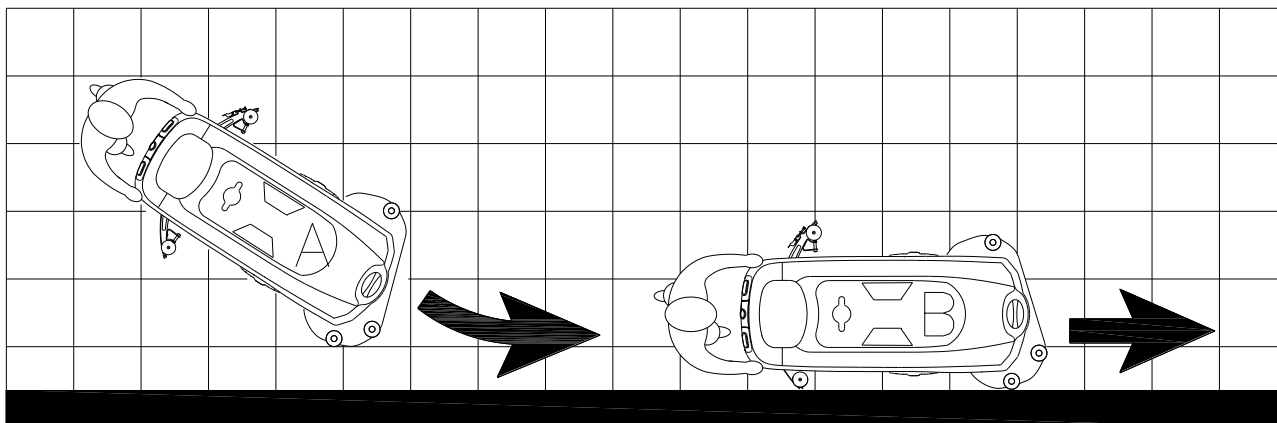
Rys. 14

**UWAGA**

Aby zapewnić prawidłowe zmiatanie/osuszanie podłóg na styku ze ścianami, sugeruje się, aby przejeżdżać blisko ściany prawą stroną maszyny (A i B, Rys. 15), tak jak pokazano na rysunku.

**PRZESTROGA!**

Aby nie uszkodzić powierzchni podłogi, trzeba wyłączyć szczotki / uchwyty padów wtedy, kiedy urządzenie zatrzymuje się w jednym miejscu, szczególnie przy stosowaniu funkcji dodatkowego nacisku.



Rys. 15

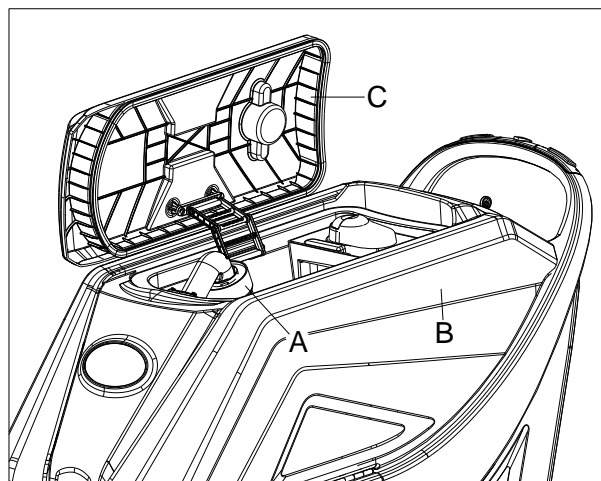
OPRÓŻNIANIE ZBIORNIKA

Automatyczny pływakowy system wyłączenia (A, Rys. 16) blokuje system odkurzania, kiedy zbiornik odzysku wody (C) jest pełny. Świadczy to też o tym, że podłoga nie została osuszona.

**PRZESTROGA!**

Jeżeli system odkurzania wyłączy się przypadkowo (na przykład, gdy uruchomi się pływak z powodu nagłego ruchu maszyny), aby wznowić pracę należy: wyłączyć system odkurzania naciskając przycisk (50, Rys. 3), a następnie otworzyć pokrywę (C, Rys. 16) i sprawdzić, czy pływak w kratce (A) nie spadł poniżej poziomu wody. Zamknąć pokrywę (C) i włączyć system odkurzania, naciskając przycisk (50, Rys. 3).

Po napełnieniu się zbiornika odzysku wody (B, Rys. 16), opróżnić go według poniższej procedury.



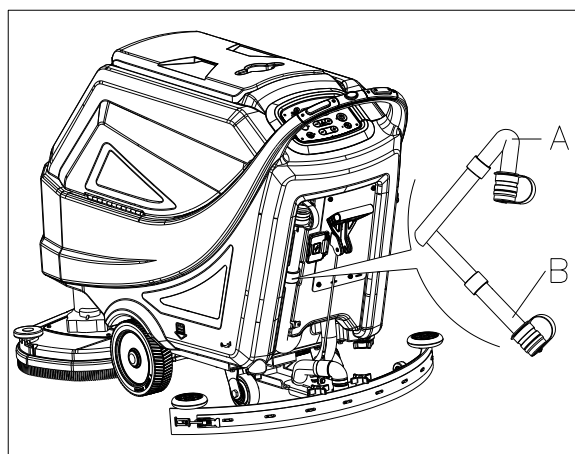
Rys. 16

Opróżnianie zbiornika odzysku wody

1. Zatrzymaj urządzenie.
2. Podnieść talerz szczotki /uchwyty poduszki (25, Rys. 1), naciskając przycisk uruchamiania (49, Rys. 3) lub ponownie uruchomić maszynę za pomocą kluczka zapłonu (42, Rys. 3).
3. Podnieść zgarniak (11, Rys. 1) za pomocą dźwigni podnoszenia/opuszczania zgarniaka (39, Rys. 2).
4. Dojechać maszyną do ustalonego miejsca opróżniania.
5. Opróżnić zbiornik odzysku wody za pomocą węża (A, Rys. 17). Następnie, wypłukać zbiornik (B, Rys. 16) czystą wodą.

**PRZESTROGA!**

Podczas spuszczenia brudnej wody należy zagiąć wąż ssący (A, Rys. 17) albo bardziej obniżyć (B, Rys. 17), po czym otworzyć pokrywę tego węża i spuścić brudną wodę. Nie kierować wylotu węża wody odpadowej ssawy do góry, by nie opróżnić wody w pionie. Pozwala to uniknąć pochłapania operatora.



Rys. 17

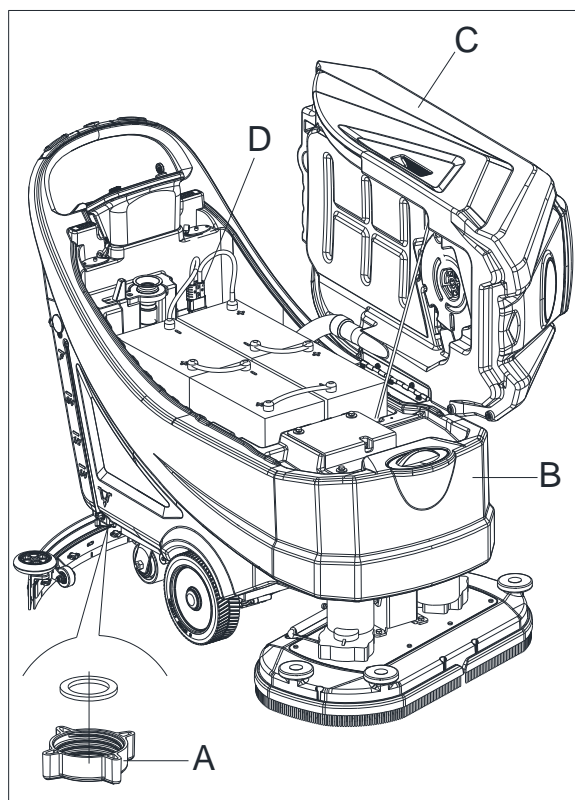
Opróżnianie zbiornika na roztwór / czystą wodę

1. Opróżnić zbiornik roztworu przez pokrywę wylotu (A, Rys. 18). Na koniec pracy, zbiornik przepłucz czystą wodą.

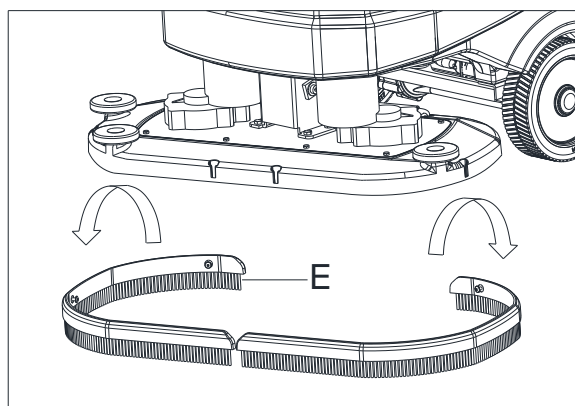
PO ZAKOŃCZENIU PRACY

Po zakończeniu pracy, przed pozostawieniem urządzenia:

1. Zdemontować szczotki/uchwyty poduszek, naciskając przycisk zwalniania (44, Rys. 3) i wyczyścić je (tylko maszyna z talerzem).
2. Zdemontować osłonę przed rozpryskami (E, Rys. 19) i wyczyścić ją (tylko maszyna z talerzem).
3. Zdemontować poduszkę i wyczyścić ją (tylko maszyna orbitalna).
4. Opróżnić zbiorniki (B i C, Rys. 18) zgodnie z opisem w poprzedniego rozdziałach.
5. Wykonać codzienne czynności konserwacyjne (zobacz rozdział „Konserwacja”).
6. Pozostawić maszynę w czystym i suchym miejscu, z podniesionymi lub zdemontowanymi szczotkami/uchwyty poduszek i zgarniakiem.



Rys. 18



Rys. 19

DŁUGOTERMINOWE PRZECHOWYWANIE MASZyny

Jeśli urządzenie nie będzie eksploatowane przez ponad 30 dni, to wykonaj co następuje:

1. Wykonać czynności opisane w punkcie „Po zakończeniu pracy”.
2. Odłączyć złącze akumulatorów (29, Rys. 2).

PIERWSZE UŻYCIE

Po 8 godzinach pracy urządzenia, sprawdź szczelność mocowań i połączeń oraz czy nie ma śladów zużycia albo nieszczelności.

KONSERWACJA**OSTRZEŻENIE!**

Konserwację wykonuje się na wyłączonym urządzeniu oraz przy rozłączonym kablu ładowania akumulatorów. Dodatkowo, należy dokładnie przeczytać rozdział o bezpieczeństwie w tej instrukcji.

Planowane przeglądy oraz naprawy może prowadzić tylko wykwalifikowany personel albo serwisanci z autoryzowanego punktu serwisowego. W niniejszym podręczniku opisano tylko najłatwiejsze i najczęściej przeprowadzane czynności konserwacyjne. Inne procedury konserwacyjne, których nie ma w tabeli poniżej z harmonogramem przeglądów, znajdują się w Instrukcji serwisu, dostępnej w naszych punktach serwisowych.

HARMONOGRAM PRZEGLĄDÓW**PRZESTROGA!**

Procedurę oznaczoną (1) należy wykonać po pierwszych 8 godzinach eksploatacji. Procedurę oznaczoną (2) może wykonać tylko punkt serwisowy, autoryzowany przez naszą firmę.

Procedura	Codziennie, po każdym użyciu	Co tydzień	Co 6 miesięcy	Co roku
Ładowanie akumulatorów				
Czyszczenie ściązaczk				
Czyszczenie szczotki/uchwyty pada				
Czyszczenie zbiornika				
Kontrola listwy uszczelniającej zbiornika				
Czyszczenie filtra pływakowego z separatorem				
Czyszczenie poduszki				
Czyszczenie osłony przed rozpryskami (tylko maszyna z talerzem)				
Kontrola i wymiana piór ściązaczk				
Czyszczenie filtra wody				
Czyszczenie filtra ssania				
Kontrola poziomu płynu w akumulatorach mokrych				
Kontrola dokręcenia śrub i nakrętek			(1)	
Izolator dolny (tylko maszyna orbitalna)			(2)	
Sprawdzenie lub wymiana szczotek węglowych silnika szczotki				(2)
Sprawdzenie lub wymiana szczotek węglowych silnika odkurzania				(2)
Kontrola lub wymiana szczotek węglowych silnika napędowego				(2)

INTRODUÇÃO



CUIDADO!

Alguma informação geral e detalhada da máquina não está incluída neste guia.

Consultar o Manual do GUIA DE INICIAÇÃO RÁPIDA fornecido com o CD-ROM para leitura no Adobe® Reader®.



NOTA

Os números em parêntesis referem-se aos componentes mostrados no capítulo da Descrição da Máquina.

FINALIDADE E CONTEÚDOS DO GUIA

O objetivo deste guia de iniciação rápida é de fornecer ao operador todas as informações básicas para a utilização correta da máquina e para as informações sobre as características técnicas, operação, inatividade da máquina, peças sobresselentes e condições de segurança, etc., consultar o manual do GUIA DE INICIAÇÃO RÁPIDA no CD-ROM fornecido.

Antes de realizar qualquer procedimento na máquina, os operadores e os técnicos qualificados devem ler o guia de início rápido. Contactar a nossa empresa em caso de dúvidas sobre a interpretação das instruções ou para obter mais informações.

COMO MANTER ESTE GUIA DE INICIAÇÃO RÁPIDA

O guia de iniciação rápida deve ser guardado perto da máquina, dentro de uma caixa adequada, longe de líquidos e outras substâncias que possam causar quaisquer danos.

DECLARAÇÃO DE CONFORMIDADE

A Declaração de Conformidade é fornecida juntamente com a máquina e certifica-a sobre o cumprimento das leis.



NOTA

São fornecidas cópias da declaração de conformidade original juntamente com a documentação da máquina.

ACESSÓRIOS E MANUTENÇÃO

Todos os procedimentos de operação, manutenção e reparação devem ser realizados por pessoal qualificado, ou pelo centro de assistência nomeado pela nossa empresa. SÓ devem ser utilizadas peças de substituição e acessórios autorizados.

Contacte no nosso apoio ao cliente para qualquer tipo de assistência ou compra de acessórios ou peças de substituição, se necessário.

ALTERAÇÃO E MELHORAMENTO

Empenhamo-nos sobre o melhoramento contínuo dos nossos produtos, e por isso reservamo-nos ao direito de alterar e melhorar as nossas máquinas sem aviso prévio.

ÂMBITO DE APLICAÇÃO

A esfregadeira destina-se ao uso comercial e industrial. É adequado para limpar pavimentos suaves e sólidos, operado por pessoal qualificado em circunstâncias de segurança. Esta escova não pode ser utilizada para limpeza no exterior, em tapetes nem em chão relativamente áspero.

DADOS DE IDENTIFICAÇÃO DA MÁQUINA

O número de série da máquina e o nome do modelo situam-se na etiqueta de série.

Esta informação é útil. Utilize a tabela seguinte para apontar os dados de identificação da máquina quando pedir as peças de substituição para a máquina.

MODELO DA MÁQUINA.....
NÚMERO DE SÉRIE DA MÁQUINA.....

TRANSPORTE E DESEMBALAGEM

Quando a transportadora entregar a máquina, certifique-se que a embalagem e a máquina estão completas e sem danos. Se estiverem danificadas, notifique a transportadora sobre o danos antes de aceitar o produto para se reservar ao direito de compensação dos mesmos. Siga atentamente as instruções da embalagem quando desembalar a máquina.

Verifique a embalagem para se assegurar que os itens seguintes estão todos incluídos:

1. Documentações técnicas guia de iniciação rápida
2. Lista de peças (*).
3. Conexão de bateria.
4. Manual do carregador de bateria electrónica (se instalado) (*)

SEGURANÇA

Os símbolos seguintes indicam potenciais situações perigosas. Leia atentamente esta informação e siga as precauções necessárias para proteger as pessoas e propriedade à sua volta.

SÍMBOLOS VISÍVEIS NA MÁQUINA



ATENÇÃO!

Leia atentamente todas as instruções antes de realizar qualquer operação na máquina.



ATENÇÃO!

Não lave a máquina com jactos de água directos ou pressurizados.



ATENÇÃO!

Não utilize a máquina em rampas com um gradiente que exceda o definido na especificação.

SÍMBOLOS QUE APARECEM NO GUIA DE INICIALIZAÇÃO RÁPIDA



PERIGO!

Indica uma situação perigosa com risco de morte para o operador.



ATENÇÃO!

Indica um risco de ferimento potencial para pessoas.



CUIDADO!

Indica cuidados, ou notificação relacionados com funções importantes ou úteis. Preste atenção aos parágrafos marcados por este símbolo.



NOTA

Indica uma notificação relacionada com funções importantes ou úteis.



CONSULTA

Indica a necessidade de consultar o guia de inicialização rápida antes de executar qualquer operação.

INSTRUÇÕES DE SEGURANÇA IMPORTANTES

Avisos e cuidados específicos a informar sobre danos potenciais a pessoas e à máquina são exibidos abaixo.



PERIGO!

- Esta máquina deve ser operada por pessoal treinado e autorizado de acordo com as instruções do manual.
- Antes de realizar qualquer procedimento de limpeza, manutenção, reparação ou substituição, leia atentamente todas as instruções, assegure-se que define a máquina para OFF e desliga a bateria do conector.
- Não opere a máquina perto de pós, líquidos ou vapores tóxicos, perigosos, inflamáveis e/ou explosivos. Esta máquina não se adequa para recolha de pós perigosos.
- Não utilize jóias quando trabalhar perto de componentes eléctricos.
- Não trabalhe sob a máquina levantada, sem os suportes de elevação fixos de segurança adequados.
- Quando utilizar baterias de chumbo (WET), estas podem emitir gás inflamável durante a utilização normal. Deve manter faíscas, chamas e materiais para fumar, assim como itens irradiantes, iluminados e em chamas longe das baterias.
- Quando carregar as baterias de chumbo (WET), estas podem emitir gás de hidrogénio que poderá ser explosivo. Assegure-se que o ambiente de carregamento está bem ventilado e longe de chamas abertas.



ATENÇÃO!

- Esta máquina é destinada ao USO COMERCIAL, por exemplo, em hotéis, escolas, hospitais, fábricas, lojas, escritórios e empresas de aluguer.
- As máquinas deixadas sem vigilância devem ser protegidas contra os movimentos não intencionais.
- Para impedir a utilização não autorizada da máquina, a fonte de alimentação deve ser desligada ou bloqueada, por exemplo, através da remoção da chave do interruptor principal ou da chave de ignição.
- Inspeccione atentamente a máquina antes de cada utilização. Assegure-se que todos os componentes estão bem montados antes de utilizar. Caso contrário, poderá causar danos a pessoas e propriedades.
- Antes de utilizar o carregador de bateria, assegure-se que os valores de frequência e voltagem indicados na etiqueta de número de série da máquina correspondem aos da corrente.
- Nunca mova a máquina puxando pelo cabo de carregamento da bateria. Não deixe o cabo trilhado em portas fechadas, ou enrolado em beiras e cantos afiados. Não deixe que a máquina passe por cima do cabo do carregador da bateria. Mantenha o cabo do carregador da bateria longe de superfícies quentes.
Não carregue as baterias caso o cabo ou ficha do carregador estiverem danificados.
- Para reduzir o risco de incêndio, choque eléctrico ou ferimentos, certifique-se que a máquina está desligada antes de sair.
- Utilize ou armazene a máquina no interior em ambientes secos. Não é permitida a utilização no exterior.
- As temperaturas de armazenamento e funcionamento da máquina devem ser entre 0 °C e +40 °C e a humidade do ar deve ser entre 30% e 95%.
- Não utilize a máquina em rampas com um gradiente que exceda o especificado.
- Quando utilizar ou manusear detergentes de limpeza de chão, siga as instruções nas etiquetas da garrafa dos detergentes e utilize luvas e protecções adequadas.
- Utilize as escovas e esponjas fornecidas com a máquina ou como definido no manual. A utilização de outras escovas ou esponjas podem reduzir a segurança.
- No caso de se verificarem anomalias no funcionamento da máquina, certifique-se de que não se devem à falta de manutenção periódica. Se necessário, peça assistência a pessoal autorizado ou a um Centro de Assistência autorizado.
- Tome as devidas precauções de modo que cabelos, jóias, partes das roupas soltas não fiquem presas nas partes em movimento da máquina.
- Não utilize a máquina em espaços particularmente poeirentos.

- Não lave a máquina com jactos de água directos ou pressurizados, ou com substâncias corrosivas.
- Não encoste a estantes ou andaimes, principalmente se existir o perigo de queda de objectos.
- Não pose recipientes com líquidos na máquina, utilize a base específica porta-copos e porta-latas.
- Para evitar danos no chão, não deixe a escova/esponja a funcionar enquanto a máquina estiver parada.
- Em caso de incêndio, utilize um extintor de incêndio em pó seco. Não utilize extintores de incêndio líquidos.
- Não retire nem modifique as etiquetas da máquina.
- Não adultere as protecções da máquina e siga atentamente as instruções de manutenção escrupulosamente.
- Preste atenção durante o transporte da máquina em condições abaixo da temperatura de congelamento. A água no tanque de recuperação e nas mangueiras pode congelar e causar danos sérios à máquina.
- Se precisar de substituir alguma peça, compre peças de substituição **ORIGINAIS** de Revendedores ou Lojas Autorizadas.
- Devolva a máquina ao Centro de Assistência se não funcionar normalmente ou se estiver danificada, colocada no exterior ou deixada cair na água.
- Para assegurar a operação adequada e segura, a manutenção programada mostrada no capítulo relevante deste Manual, deve ser realizada por pessoal ou Centro de Assistência autorizados.
- A máquina deve ser eliminada correctamente uma vez que contém materiais tóxicos e perigosos (baterias, etc.) que estão sujeitos aos padrões que requerem eliminação em centros especiais (consulte o capítulo Demolição).
- Esta máquina serve unicamente como ferramenta de limpeza e nunca para outros propósitos.
- Mantenha as aberturas da máquina livres de pó, fios, pelos e qualquer outro corpo estranho que possa reduzir o fluxo de ar. Não utilize a máquina que as aberturas estiverem entupidas.
- Utilize a máquina unicamente em áreas suficientemente iluminadas.
- Esta máquina não deve ser utilizada por crianças ou por pessoas com diminuição das capacidades físicas, sensoriais ou mentais ou com falta de experiência e conhecimentos.
- Preste em particular atenção quando a utilizar com crianças por perto.
- As crianças devem ser monitorizadas, para garantir que não brincam com a máquina.
- Durante a utilização da máquina, preste atenção para garantir a segurança das outras pessoas e dos objectos.
- A limpeza e a manutenção levadas a cabo pelo utilizador não devem ser feitas por crianças sem supervisão.

DESCRIÇÃO DA MÁQUINA

ESTRUTURA DA MÁQUINA (como mostrado na Figura 1)

- | | |
|--|--|
| 1. Tampa do tanque de recuperação | 15. Charneira |
| 2. Suporte de lata | 16. Tanque de recuperação |
| 3. Guião | 17. Tampa do filtro |
| 4. Painel de controlo | 18. Suporte da mangueira de enchimento |
| 5. Caixa de controlo | 19. Suporte do filtro |
| 6. Placa do número de série/dados técnicos | 20. Vedação da capa do tanque |
| 7. Tampa da saída | 21. Caixa de recolha de detritos |
| 8. Botões do limpador | 22. Filtro da bola de flutuação |
| 9. Tubo de aspiração do limpador | 23. Torneira de solução/água limpa |
| 10. Manípulo para a regulação do alinhamento do limpador | 24. Rodas traseiras direcionáveis |
| 11. Limpador | 25. Sistema de escova (apenas para máquina de disco) |
| 12. Filtro de solução | 26. Proteção contra respingos |
| 13. Rodas motrizes | 27. Botão de ajuste da cabeça orbital |
| 14. Tanque de solução | 28. Sistema orbital (apenas para máquina orbital) |

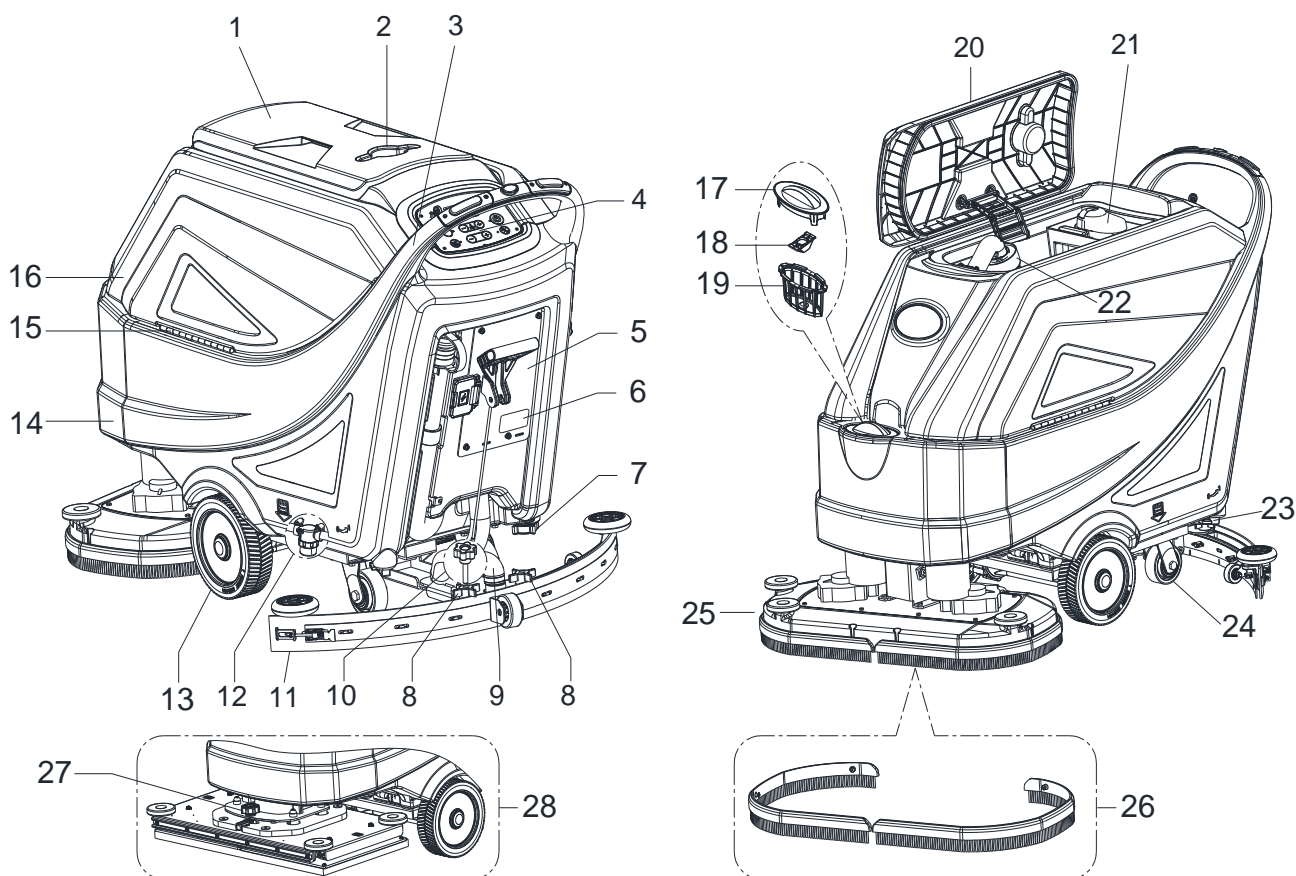


Figura 1

ESTRUTURA DA MÁQUINA (como exibido na Figura 2)

- 29. Conector das baterias (vermelho)
- 30. Baterias (*)
- 31. Capas da bateria
- 32. Tubo indicador de nível de água
- 33. Cabo de segurança do tanque
- 34. Sistema de aspiração
- 35. Interruptor de segurança
- 36. Interruptor reverso da máquina
- 37. Tubo de descarga da água de recuperação
- 38. Tampa de segurança da entrada de carregamento
- 39. Pega para baixar e levantar o limpador
- 40. Tampa de enchimento lateral do tanque de solução
- 41. Carregador de bordo (*)

(*): Opcional

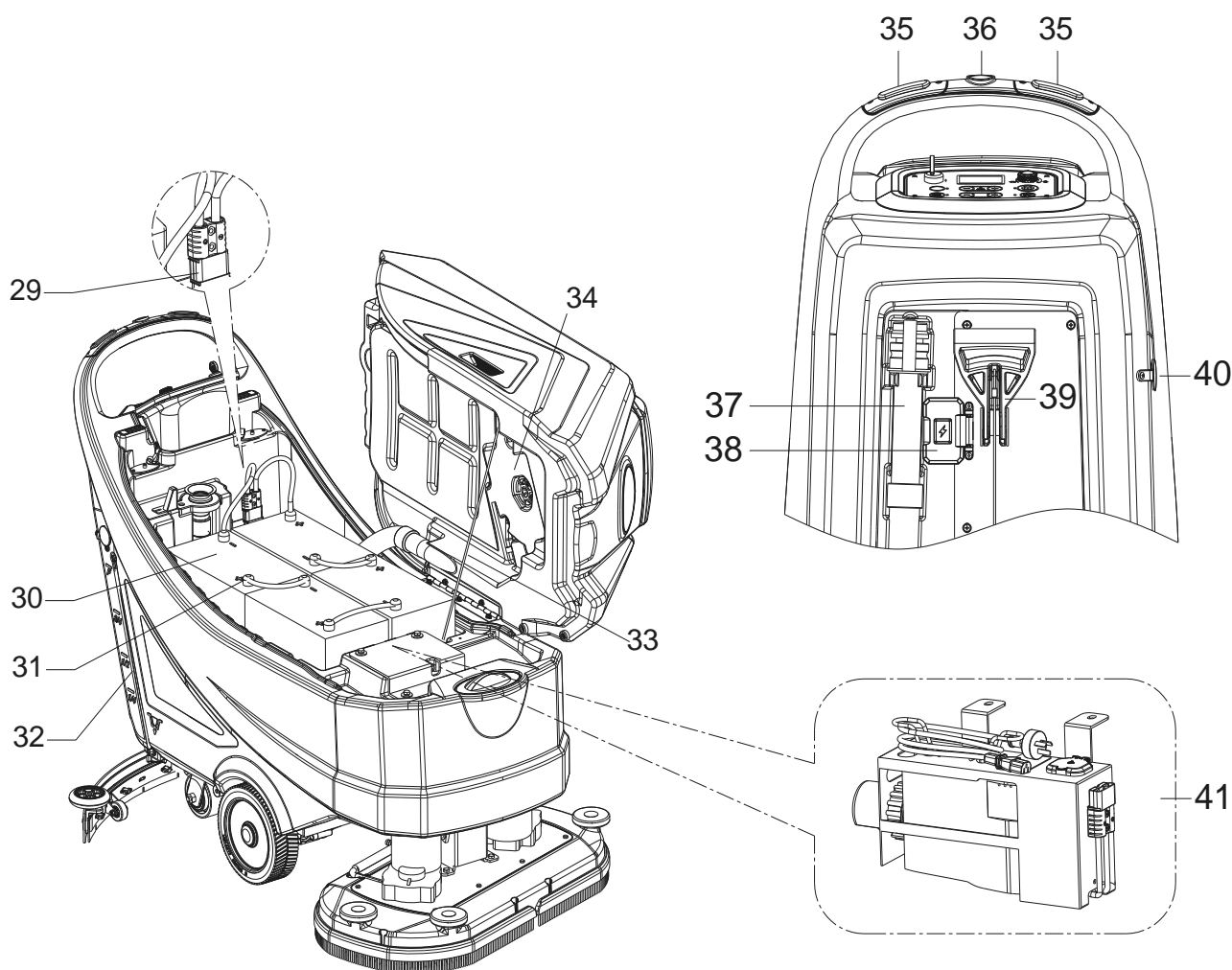


Figura 2

PAINEL DE CONTROLO (como exibido na Figura 3)

41. Visor multifuncional
Itens exibidos:
A) Tipo de bateria
B) Nível de carga da bateria
C) Horas de trabalho
D) Modo ECO
E) Modo normal de aspiração
F) Modo de silêncio de aspiração
G) Modo reverso
H) Pressão extra ativa
I) Quantidade do fluxo da solução detergente
J) Modo trabalho com escova
K) Modo de aspiração
L) Modo de preparação do piso
42. Chave de ignição (0 - I)
43. Botão de modo ECO
 - LED ligado-função abaixo ativada
 - Fluxo de água no mínimo (nível 1)
 - pressão no mínimo (nível 1)
 - A aspiração no modo silencioso
44. Botão de libertação do suporte de esponja/escova (apenas para máquina de disco)
 - Sistema de libertação LED a piscar ativado
45. Botão preparação do pavimento (apenas para máquina orbital)
 - Velocidade de viagem predefinida em 1Km/hora
 - LED ligado-função abaixo ativada
 - fluxo de água no mínimo (nível 1)
 - pressão no máximo (nível 3)
 - A aspiração no modo normal
46. Botão de ajuste da pressão da escova
47. Botão de ajuste do fluxo de solução
48. Regulador de velocidade
49. Botão de iniciar
 - LED ligado-função abaixo ativada
 - sistema de água mínimo (nível 1)
 - pressão no mínimo (nível 1)
 - Sistema de aspiração normal
50. Botão de ajuste do sistema de aspiração (pressionar o botão por 1 segundo para a ativação)
 - LED no modo normal
 - Modo de silêncio LED intermitente

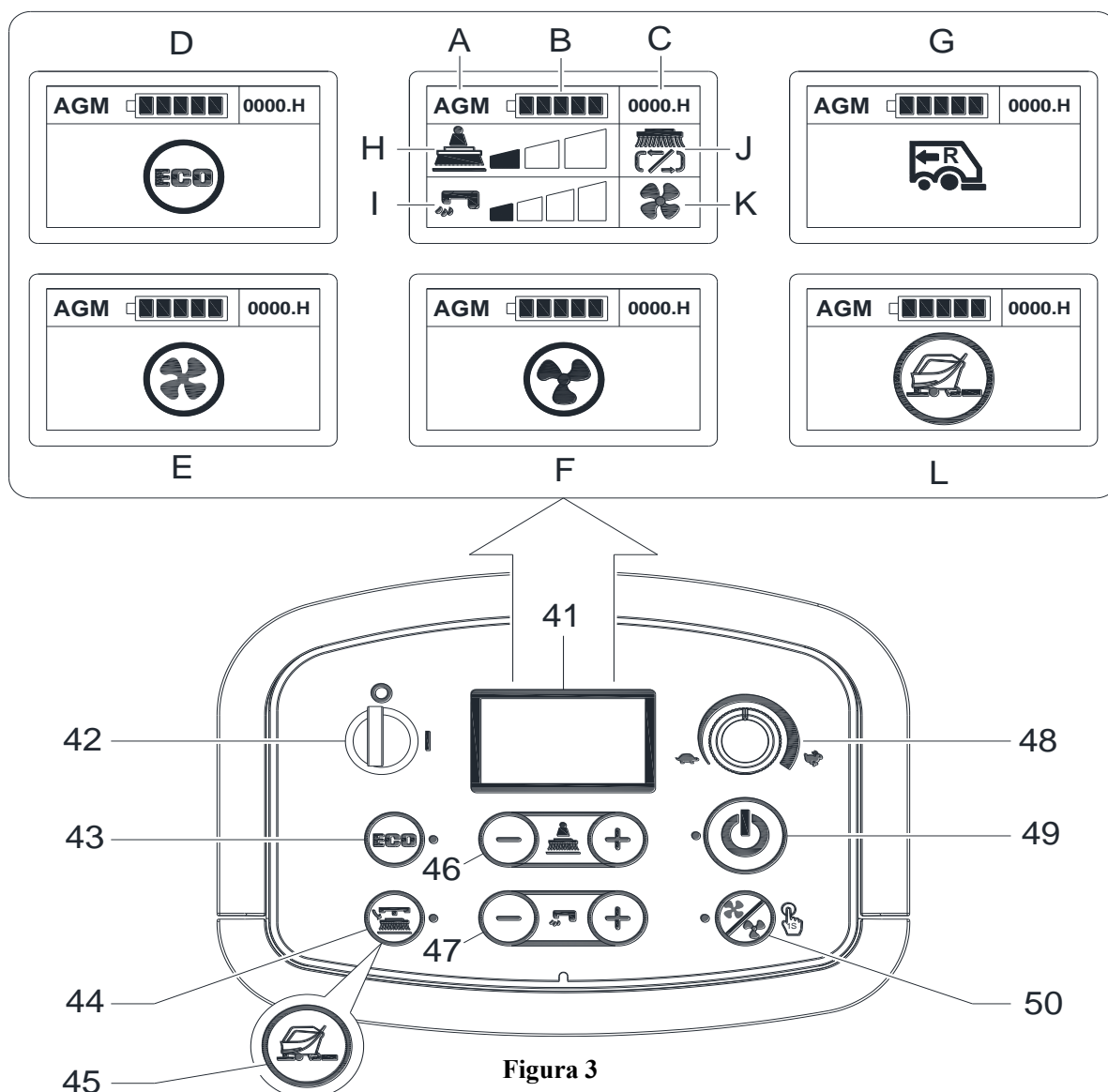


Figura 3

PARÂMETROS TÉCNICOS

Parâmetro de tipo	Unidades	Modelo		
		AS6690T	AS7690T	AS7190TO
Capacidade do reservatório da solução detergente	L / Gal	85 L / 22 Gal.		
Capacidade do reservatório da água de recuperação	L / Gal	90 L / 24 Gal.		
Comprimento da máquina	mm/polegadas	1490 mm / 59 Polegadas	1550 mm / 61 Polegadas	1490 mm / 59 Polegadas
Largura da máquina com limpador	mm/polegadas	830 mm / 33 Polegadas	950 mm / 38 Polegadas	
Largura da máquina sem limpador	mm/polegadas	730 mm/29 Polegadas	830 mm/33 Polegadas	750 mm/30 Polegadas
Altura do equipamento	mm/polegadas	1020 mm / 40,2 Polegadas		
Largura de funcionamento	mm/polegadas	660 mm / 26 Polegadas	760 mm / 30 Polegadas	710 mm / 28 Polegadas
Diâmetro da roda motriz	mm/polegadas	230 mm / 9 Polegadas		
Pressão específica das rodas motrizes no piso	N/mm ²	0,67 N/mm ²		
Diâmetro da roda traseira	mm/polegadas	101 mm / 4 Polegadas		
Pressão específica das rodas traseiras no piso	N/mm ²	0,82 N/mm ²		
Diâmetro da escova/feltro	mm/polegadas	330 mm x 2 / 13 Polegadas x 2	380 mm x 2 / 15 Polegadas x 2	355x710 mm / 14x28 Polegadas
Pressão da escova/esponja (máx.)	Kg/Lbs.	32 Kg /71 Lbs 41 Kg /90 Lbs 49 Kg /108 Lbs	35 Kg /77 Lbs 43 Kg /95 Lbs 51 Kg /112 Lbs	42 Kg / 93 Lbs 54 Kg / 120 Lbs 65 Kg / 143 Lbs
Fluxo da solução (máx.) por configuração	L / Gal por minuto	(0,9/1,5/2,2/3) Litros (0,24/0,39/0,58/0,79) galões		(0,6/1,1/1,9/2,5) Litros (0,16/0,29/0,5/0,66) Galões
Nível da pressão sonora	dB (A)	69 ± 3 dB (A)		
Nível de pressão sonora no modo ECO ou no modo silencioso	dB (A)	65 ± 3 dB (A)		
Nível da Vibração da alça (máx)	m/s ²	< 2,5 m/s ²		
Capacidade de escalada (máx)	% classificação	2%		
Viragem mín. do corredor	cm/Polegadas	155 cm/61 Polegadas	165 cm/65 Polegadas	160 cm/63 Polegadas
Energia do motor de condução	Watt / H.P.	250 W / 0,33 HP		
Velocidade de funcionamento	Km/milhas por hora	0 - 4,0 Km / 0 - 2,5 milhas por hora		0 - 3,2 Km / 0 - 2,0 milhas por hora
Velocidade de avanço	Km/milhas por hora	0 - 4,0 Km / 0 - 2,5 milhas por hora		
Velocidade de marcha-atrás	Km/milhas por hora	0 - 2,0 Km / 0 - 1,25 milhas por hora		
Energia do motor de aspiração	Watt / H.P.	500 W / 0,66 HP		
Capacidade de aspiração	mm/pol de H ₂ O	1500 mm / 60 pol de H ₂ O		
Capacidade de aspiração no modo ECO ou no modo silencioso	mm/pol de H ₂ O	900 mm / 35 pol de H ₂ O		
Energia do motor da escova	Watt / H.P.	500 x 2 Watt / 0,66 x 2 HP		750 Watt / 1,0 HP
Velocidade da escova no modo normal	RPM	200 RPM		2200 RPM
Velocidade da escova no modo ECO	RPM	160 RPM		1600 RPM
Classe de proteção IP	IP	IP24		
Tamanho do compartimento da bateria com carregador externo (C x L x A)	mm/polegadas	(620 x 385 x 390) mm / 24,4 x 15,1 x 15,3 Polegadas		
Tamanho do compartimento da bateria com carregador a borda (C x L x A) (*)	mm/polegadas	(535 x 385 x 390) mm / 21 x 15,1 x 15,3 Polegadas		
Voltagem	DC	24 V		
Baterias (*)	Ah	N/A		
Tempo de execução da bateria (baterias padrão) (*)	Hora	Até 4 horas		
Carregador de bordo (*)	Volt/Amp	24V 25A		
Produtividade (máx)	m ² /h	2640 m ² /h	3040 m ² /h	2272 m ² /h
Peso da máquina com tanques vazios (sem baterias)	Kg/Lbs.	135 Kg / 298 Lbs.	138 Kg/304 Lbs.	148 Kg/326 Lbs.
Peso veículo bruto (GVW)	Kg/Lbs.	347 Kg / 765 Lbs.	350 Kg / 772 Lbs.	360 Kg / 794 Lbs.
Peso na entrega	Kg/Lbs.	202 Kg / 444 Lbs.	205 Kg / 451 Lbs.	215 Kg / 473 Lbs.
Dimensões da embalagem (C x L x A)	mm/polegadas	(1620 x 810 x 1200 mm) / (64 x 32 x 48 polegadas)	(1660 x 910 x 1200 mm) / (66 x 36 x 48 polegadas)	

(*): Opcional

GUIA DE OPERAÇÃO



ATENÇÃO!

Em alguns pontos da máquina, existem algumas placas adesivas que indicam:

- PERIGO!
- ATENÇÃO!
- CUIDADO!
- CONSULTA

Ao ler este Manual, o operador deve ter atenção particular aos símbolos mostrados nas placas. Não cubra estas placas de forma alguma e substitua-as se forem danificadas.

VERIFICAÇÃO/DEFINIÇÃO DE BATERIAS NUMA MÁQUINA NOVA

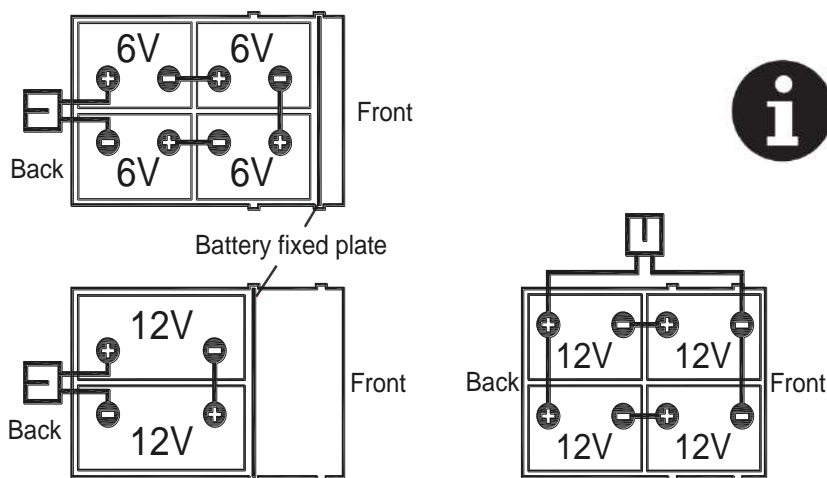


ATENÇÃO!

Os componentes eléctricos da máquina podem ser seriamente danificados caso as baterias estejam instaladas ou ligadas incorrectamente. As baterias devem ser instaladas unicamente por pessoal qualificado. Defina a placa electrónica da máquina e o carregador de bateria integrado, segundo o tipo de baterias utilizadas (baterias de CHUMBO ou ao GEL/AGM). Inspeccione as baterias antes da instalação para verificar que não estejam danificadas. Desligue o conector da bateria e a ficha do carregador. Manuseie as baterias com cuidado. Instale as capas de protecção de terminal das baterias fornecidas com a máquina.

Baterias montadas na máquina e prontas para a utilização

1. Certificar-se se o conector da bateria (29, Figura 2) está conectado.
2. Ao utilizar a máquina pela primeira vez com baterias novas, executar um ciclo de carregamento completo (consultar o procedimento no capítulo Manutenção).



NOTA

A máquina requer duas baterias de 12V ou quatro baterias de 6V ligadas de acordo com o diagrama (Figura 4). Colocar a placa fixa da bateria correctamente como (Figura 4).

Figura 4

Sem baterias

1. Compre as baterias adequadas (ver o parágrafo “Características Técnicas”). Para escolha e instalação da bateria, consulte os Revendedores de baterias qualificados.
2. Configurar a máquina de acordo com o tipo de baterias instaladas, conforme mostrado na seção Chave do Superutilizador do capítulo Manutenção.

INSTALAÇÃO DA BATERIA E DEFINIÇÃO DO TIPO DE BATERIA (WET OR GEL/AGM OR DIS OR ENES)

Instalação da bateria

1. Abrir a tampa do tanque de recuperação (1, Figura 1) e certifique-se de que o reservatório da água de recuperação (16) está vazio. Caso contrário, esvazie-o através do tubo de descarga. (37, Figura 2)
2. Fechar a tampa do tanque de recuperação (1, Figura 1).
3. Levantar o tanque de recuperação (16, Figura 1) cuidadosamente.
4. A máquina é fornecida com cabos adequados para instalar duas baterias de 12V ou quatro baterias de 6V. Coloque as baterias no compartimento e instale-as correctamente. Colocar a placa fixa da bateria corretamente como (Figura 4).
5. Encaminhe e instale o cabo da bateria como mostrado na (Figura 4), e aperte a porca em cada terminal da bateria.
6. Coloque a capa de protecção em cada terminal e ligue o conector da bateria (29, Figura 2).
7. Baixe cuidadosamente o tanque de recuperação (16, Figura 1).

Definição do tipo de baterias (WET OR GEL/AGM OR DIS OR ENES)

Acesso para a seleção do modo de bateria

De acordo com o tipo de bateria (WET ou GEL/AGM), configurar a máquina da seguinte maneira:

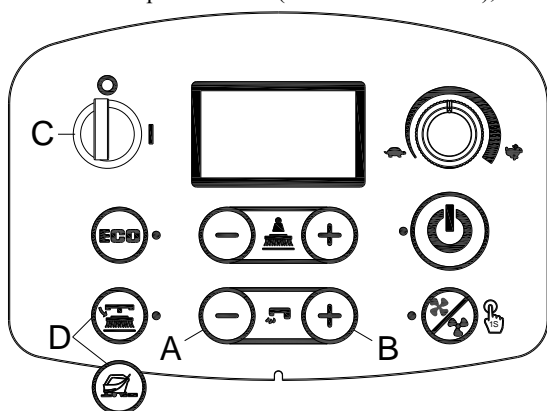


Figura 5

Access to select battery mode

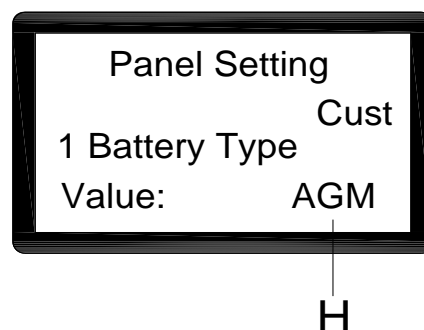


Figura 6

1. Pressionar o botão de fluxo de água "+" (A, Figura 5) e "-" (B, Figura 5) ao mesmo tempo.
2. Inserir a chave de ignição (C, Figura 5) e girar para "I".
3. Alguns segundos depois, entrar no ecrã de seleção do modo de bateria (Figura 6)
4. Pressionar o botão de fluxo de água "-" (A, Figura 5) e "+" (B, Figura 5) para seleccionar o modo de bateria (H, Figura 6)
5. Pressione o botão de libertação para a versão do disco ou o botão de preparação do pavimento para a versão orbital (D, Figura 5), 3 segundos depois, mostrar "Atualização OK" significa que a configuração foi bem-sucedida; ligar para reiniciar. (C, Figura 5)

Configuração do carregador de bateria (apenas para o carregador de bordo, se instalado)



ATENÇÃO!

Não configurar o carregador, a menos que tenha formação profissional

1. Desligar a máquina e desmontar o carregador de bordo (A, Figura 7) da máquina. Em seguida, abrir a etiqueta na tampa do carregador (B, Figura 7). Irá encontrar os 2 conjuntos de comutadores (SW1 e SW2) no carregador.
2. Somente o conjunto do comutador SW1 (aquele do lado esquerdo) tem efeito na seleção da curva de carga de acordo com a tabela abaixo.

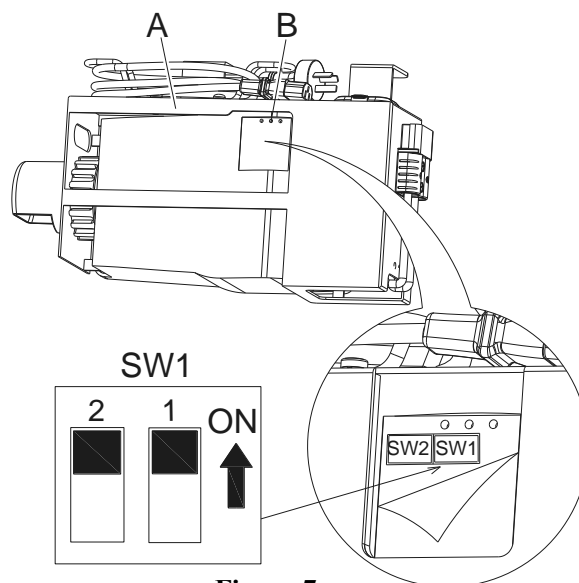


Figura 7

DP1	DP2	CURVA DE CARREGAMENTO
LIGADO	DESLIGADO	IUIa-ACD para baterias de chumbo-ácido (Wet)
DESLIGADO	DESLIGADO	IUIa-GEL para baterias de gel de Exide-Sonnenschein
DESLIGADO	LIGADO	IUU0-GEL para baterias HAZE Gel e AGM de outros fabricantes
LIGADO	LIGADO	IUIUa-AGM para baterias Discover AGM

Carregamento da bateria

Carregar totalmente as baterias (ver o procedimento no capítulo da Manutenção).

Descarga da bateria

Quando o padrão das baterias está cheio (G, Figura 8), as baterias permitem que a máquina funcione normalmente. Quando o padrão das baterias está baixo (H, Figura 8), as pilhas devem ser carregadas. Alguns segundos depois que o padrão da bateria fraca é exibido, o suporte da esponja/escova é desligado automaticamente enquanto o sistema de acionamento permanece ligado. Coloque imediatamente a máquina na área designada para o carregamento das baterias.

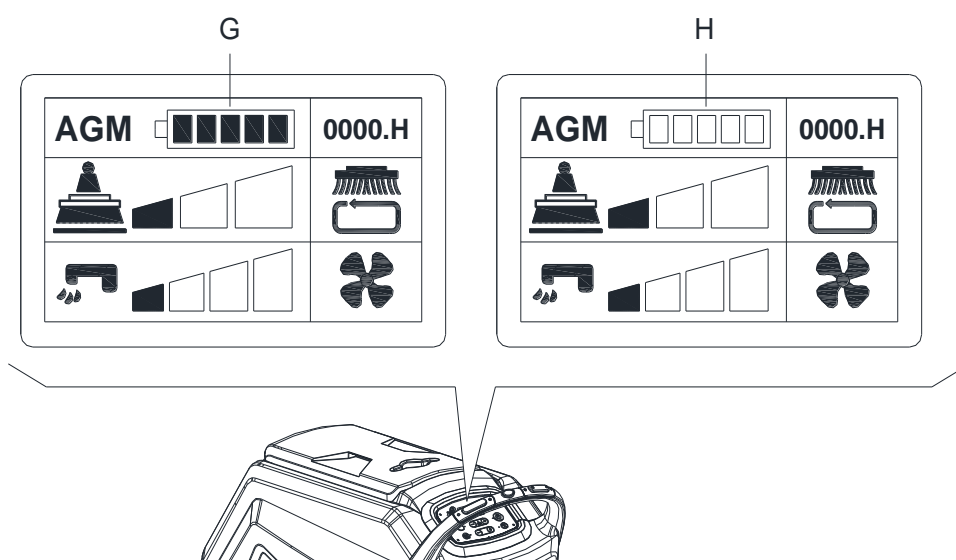


Figura 8



CUIDADO!

Quando as baterias estão descarregadas, carregue logo que possível, dado que este estado provoca uma redução da vida das mesmas. Controle a carga das baterias pelo menos uma vez por semana.

INSTALAÇÃO E REMOÇÃO do SUPORTE DA ESPONJA/ESCOVAS (apenas para máquina de disco)



NOTA

Instale o suporte da escova (A, Figura 9) ou esponja (B e C, Figura 9) de acordo com o tipo de chão a ser limpo.



CUIDADO!

Antes de instalar ou remoção do suporte da esponja ou escova, certificar-se que todos os interruptores da máquina estão na posição off e o limpador levantado do chão. O operador deve estar equipado com dispositivos de protecção pessoal adequados, como luvas, para reduzir o risco de acidentes.

Proceda como o descrito abaixo:

INSTALAÇÃO:

1. introduza a chave de ignição (42, Figura 3) e posicione-a em “I”. Levantar o convés. Desligue a máquina removendo a chave de ignição (42).
2. Posicione no mínimo o regulador de velocidade (48) rodando-o no sentido contrário aos ponteiros do relógio.
3. Posicione a escovas (A, Figura 9) ou o porta-escova (B) sob o convés.
4. Usar o método manual girando o suporte da esponja/escova na direção oposta à direção normal de rotação e esta pode ser instalada. (como mostrado na Figura 9)

REMOÇÃO:

1. Introduza a chave de ignição (42, Figura 3) e posicione-a em “I”. Para a remoção do suporte da esponja/escova, levantar o convés pressionando o botão de libertação do suporte da esponja/escova (44), o suporte da esponja/escova ser solto automaticamente.

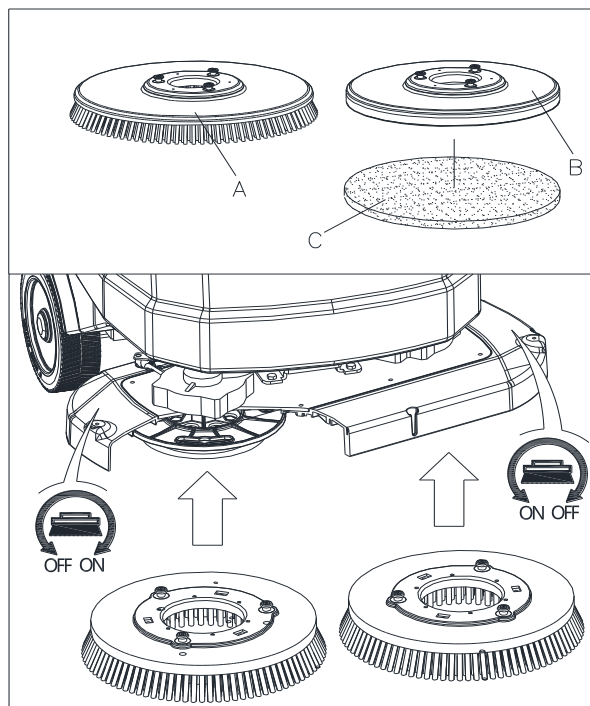


Figura 9

INSTALAÇÃO E REMOÇÃO DAS ESPONJAS (apenas para máquinas orbitais)

1. introduza a chave de ignição (42, Figura 3) e posicione-a em “I”. Levantar o convés. Desligue a máquina removendo a chave de ignição.
2. Usar o método manual instalar ou retirar a esponja como (Figura 10)

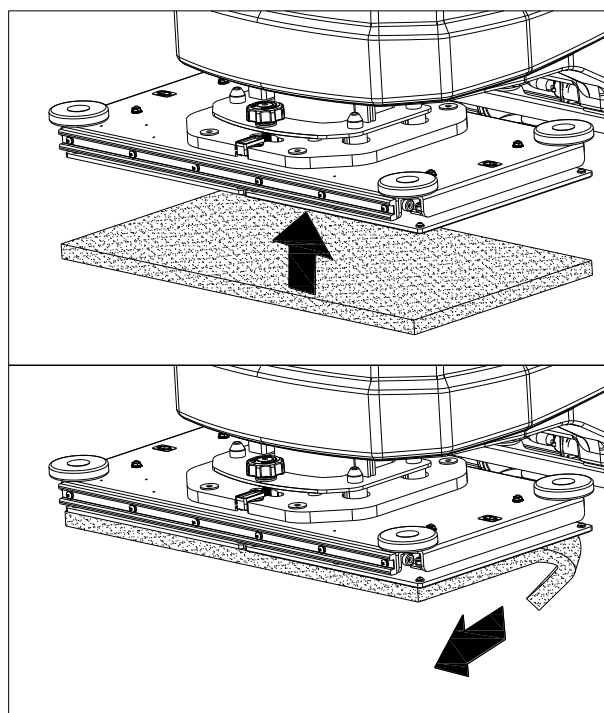


Figura 10

AJUSTE DO EQUILÍBRIO DO LIMPADOR

1. Instalar o limpador e aperte as porcas (H, Figura 11), e ligue a mangueira de aspiração (G) ao limpador.
2. Ajuste o limpador através do punho de ajuste correspondente (A, Figura 11).
 - a) Se existir um espaço entre o chão e a secção do meio da lâmina do limpador traseiro (B), ajuste o botão (A) para a esquerda (F) até todas as secções da lâmina do limpador traseiro estarem em contacto com o chão e a lâmina frontal tocar ligeiramente no chão.
 - b) Se existir um espaço entre o chão e as secções do fim da lâmina traseira (C e D), ajuste o botão (A) para a direita (E) até todas as secções da lâmina do limpador traseira estarem em contacto com o chão e a lâmina frontal tocar ligeiramente no chão.

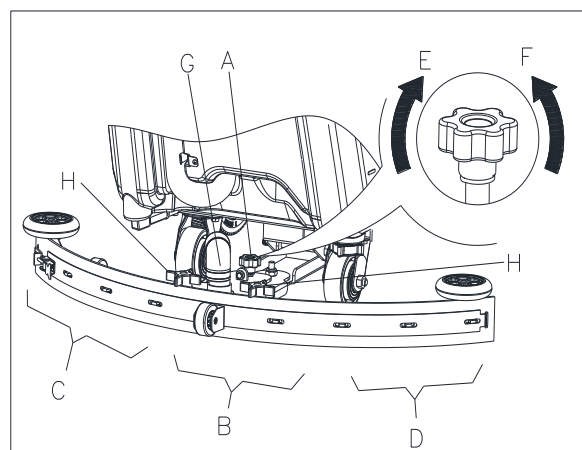


Figura 11

ENCHA O TANQUE DE SOLUÇÃO

1. Abra a tampa de entrada de água (B, Figura 12).
2. Encha com água ou solução adequada através da entrada de água com filtro.
A temperatura da solução não pode exceder +104F (+40°C).
3. Não encha o tanque em demasia; consulte o volume de água no indicador do nível de água (H).



ATENÇÃO!

Unicamente utilize detergentes não inflamáveis, que façam pouca espuma e que sejam adequados para aplicações em escovas automáticas.

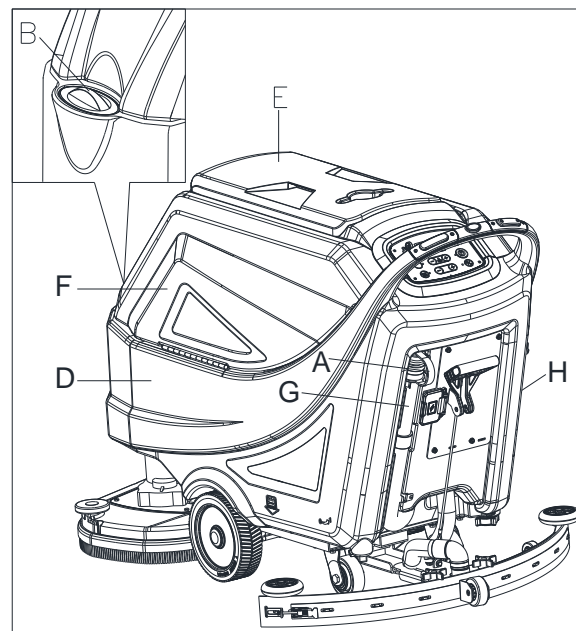


Figura 12

INICIAR E PARAR A MÁQUINA

Iniciar a máquina

1. Prepare a máquina como previsto no parágrafo anterior.
2. Introduza a chave de ignição (A, Figura 13) e gire-a para "I". Controlar o estado das baterias no ecrã de exibição. Se necessário, coloque as baterias a carregar (ver procedimento no capítulo Manutenção).
3. Conduzir a máquina na área de trabalho:
 - Pressionar o interruptor de segurança (F) para avançar ou pressionar o interruptor de segurança (F) junto com o interruptor de reverter (G) para retroceder. A velocidade para a frente pode ser ajustada com o regulador (H).
4. Abaixar o introduza o limpador (I) com a alça de elevação/abaixamento do limpador (J).
5. Abaixar o convés do suporte de escova/esponja (K) pressionando o botão de iniciar (L)
6. Coloque os botões de regulação do fluxo (O) da solução detergente na posição considerada mais adequada, conforme o tipo de lavagem a ser executada.
7. Iniciar a limpeza:
 - Pressionar qualquer chave de segurança (F) para ativar a unidade da máquina. Se necessário, a velocidade para a frente pode ser ajustada com o regulador (H).



NOTA

Para mover a máquina para a frente, pressione o interruptor de segurança esquerdo ou direito (F, Figura 13) ou ambos.

Parar a máquina

8. Parar a máquina soltando os interruptores de segurança (F, Figura 13)
9. As escovas param. O sistema de aspiração para após alguns segundos.
10. Levante o convés do suporte de escova/esponja (K) pressionando o botão de iniciar (L).
11. Levantar o limpador (I) com o alça de elevação/abaixamento do limpador (J).
12. Gire a chave de ignição (A) para "0".
13. Verifique que a máquina não pode mover-se sozinha.

OPERAÇÃO DA MÁQUINA (ESFREGAR E SECAR)

1. Inicie a máquina de acordo com os parágrafos anteriores.
2. Enquanto pressiona um dos interruptores de segurança (35, Figura 2), manobrar a máquina e começar a esfregar/secar o chão.
3. Se necessário, pare a máquina e ajuste o limpador de acordo com a secção "Ajustar o equilíbrio do limpador."

AJUSTAR O NÍVEL DO CONVÉS ORBITAL (SOMENTE PARA A MÁQUINA ORBITAL)

1. Insira a chave de ignição (42) e gire-a para "I".
Abaixe a cabeça porta-escovas/porta-feltros (25) premindo o botão de iniciar (49).
2. Ajustar o nível do convés orbital ajustando a alça (A, Figura 14) para que a bolha fique no centro (B Figura 14).

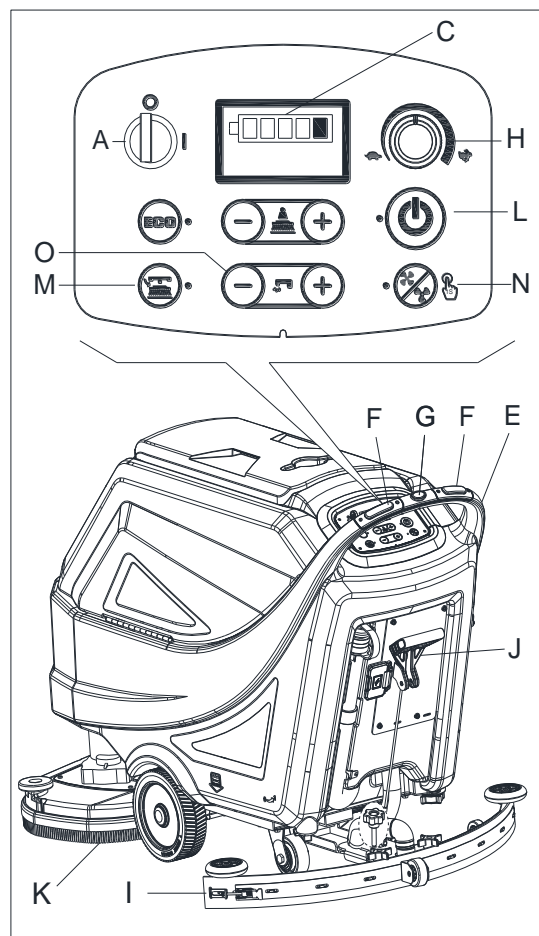


Figura 13

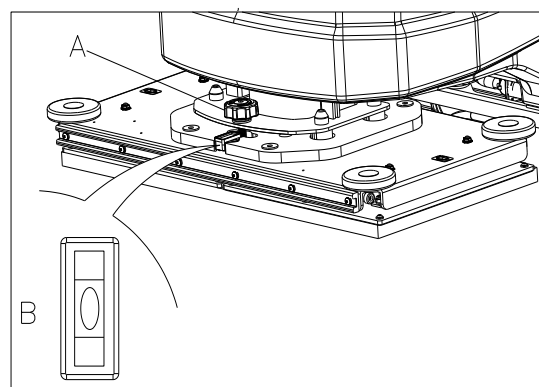


Figura 14



NOTA

Para uma lavagem/secagem corretas dos pisos nas laterais das paredes. Sugere-se aproximar-se das paredes com o lado direito da máquina (A e B, Figura 15), como mostrado na figura.



CUIDADO!

Para evitar quaisquer danos à superfície do chão, desligue os suportes das esponjas/escovas quando a máquina parar em um lugar, especialmente quando a função de pressão extra está ligada.

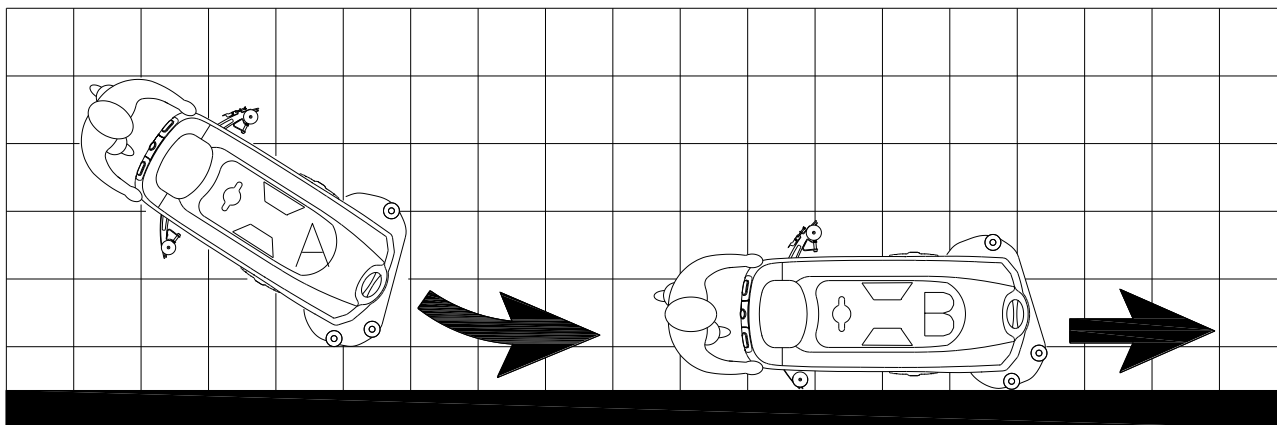


Figura 15

ESVAZIAMENTO DO TANQUE

Um sistema de desligar automático (A, Figura 16) para o sistema de aspiração quando o tanque de água de recuperação (B) está cheio. A desativação do sistema de aspiração é assinalada por um aumento súbito na frequência de ruído do motor do sistema de aspiração e o chão não é seco.



CUIDADO!

Se o sistema de aspiração for desligado acidentalmente (por exemplo, quando a bóia é activa devido a um movimento súbito da máquina), para continuar a operação: desligue o sistema de aspiração pressionando o interruptor (50, Figura 3), abra o revestimento (C, Figura 16) e verifique se a bóia dentro da grelha (A) desceu para o nível da água. De seguida, feche o revestimento (C) e ligue o sistema de aspiração pressionando o interruptor (50, Figura 3).

Quando o tanque água de recuperação (B, Figura 16) estiver cheio, esvazie-o de acordo com os seguintes passos.

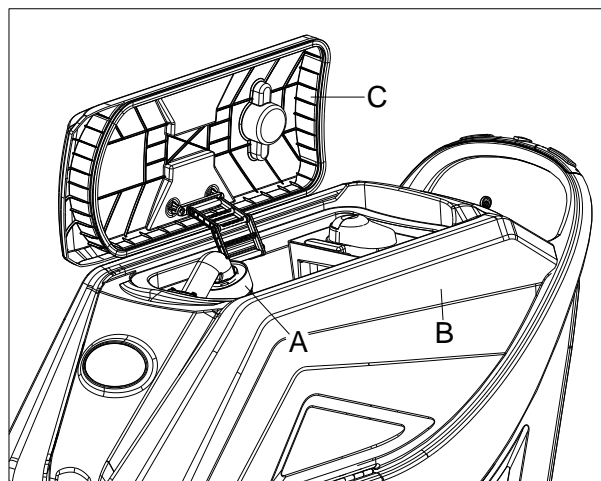


Figura 16

Esvaziar o tanque de água de recuperação

1. Parar a máquina.
2. Levantar o convés do suporte de escova/esponja (25, Figura 1) pressionando o botão de partida (49, Figura 3) ou reiniciar a máquina com a tecla de Ignição (42, Figura 3).
3. Levantar o limpador (11, Figura 1) com a alça de elevação/abaixamento do rodo (39, Figura 2).
4. Conduza para a área de eliminação recomendada.
5. Esvaziar o reservatório da água de recuperação com a mangueira (A, Figura 17). De seguida, limpe o tanque (B, Figura 16) com água limpa.



CUIDADO!

Ao drenar a água residual, o tubo de aspiração para resíduos deve ser dobrado (A, Figura 17) e abaixado para uma posição mais baixa (B, Figura 17) e, em seguida, abrir a tampa do tubo de aspiração para que os resíduos drenem a água. Não direcione para cima o tubo de aspiração para lixo. Assim evita que a água suja seja entornada em cima do operador.

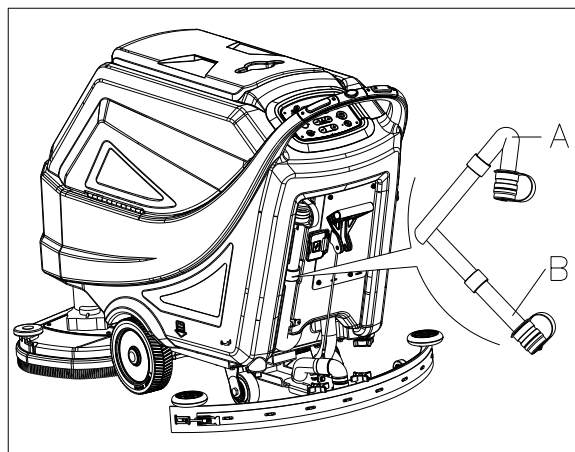


Figura 17

Esvaziar o tanque de solução/água limpa

1. Esvazie o tanque de solução através da saída (A, Figura 18). Quando terminar, limpe o tanque com água limpa.

DEPOIS DE UTILIZAR A MÁQUINA

Antes de guardar a máquina quando terminar de operar:

1. Remover os suportes das escovas/esponjas pressionando o botão de libertação (44, Figura 3) e limpá-los (apenas na máquina de discos).
2. Remover a proteção contra respingos como (E, Figura 19) e limpá-la (apenas para máquina de disco)
3. Remova o suporte e limpá-lo. (apenas para máquina orbital)
4. Esvaziar os tanques (B e C, Figura 18) como mostrado no parágrafo anterior.
5. Realize os procedimentos de manutenção (consulte capítulo de Manutenção).
6. Armazene a máquina num local limpo e seco, com os suportes de escovas/esponjas e limpador levantados ou desmontados.

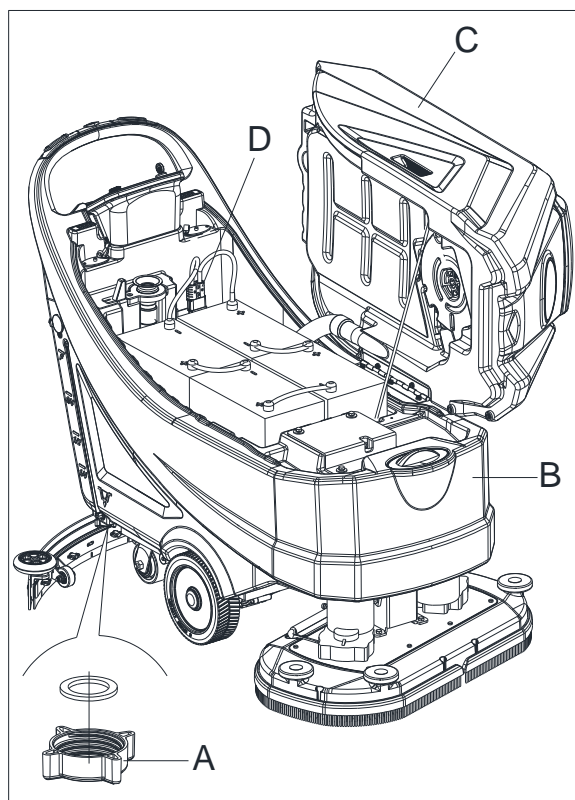


Figura 18

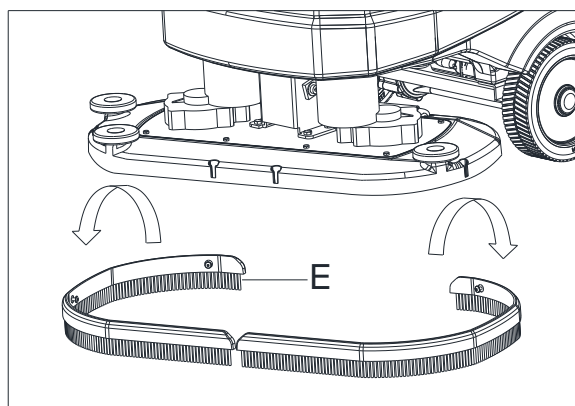


Figura 19

ARMAZENAMENTO DA MÁQUINA DURANTE LONGA INATIVIDADE

Se a máquina não for ser utilizada durante mais de 30 dias, realize o seguinte:

1. Realize os procedimentos mostrados no parágrafo Após Utilizar a Máquina.
2. Desligue o conector da bateria (29, Figura 2).

PRIMEIRO PERÍODO DE UTILIZAÇÃO

Após as primeiras 8 horas, verifique se as peças de ligação estão bem apertadas e procure por desgaste e vazamento nas peças visíveis.

MANUTENÇÃO



ATENÇÃO!

Os procedimentos de manutenção devem ser realizados com a máquina desligada e o cabo de carregamento desligado. Em adição, leia atentamente os capítulos de segurança no manual.

Todos os procedimentos de manutenção programados ou extraordinários devem ser realizados por técnicos profissionais ou um Centro de Assistência autorizado. Este manual só descreve os procedimentos de manutenção mais comuns e gerais.

Para outros procedimentos de manutenção que não estejam listados na tabela abaixo, refira ao Manual de Assistência que pode ser consultado em qualquer Centro de Assistência da nossa empresa.

TABELA DE MANUTENÇÃO PROGRAMADA



CUIDADO!

O procedimento marcado com (1) deve ser realizado quando a máquina é utilizada após 8 horas pela primeira vez. O procedimento marcado com (2) deve ser realizado por um Centro de Assistência qualificado pela nossa empresa.

Procedimento	Diariamente, após cada utilização	Semanalmente	Semi anualmente	Anualmente
Carregamento da bateria				
Limpeza do limpador				
Limpeza do suporte da esponja/escova				
Limpeza do tanque				
Inspecção da fita de selamento do tanque				
Limpeza do filtro da bola de flutuação				
Limpeza das esponjas				
Limpeza contra respingos (somente para máquina de disco)				
Verificação e substituição da lâmina de limpador				
Limpeza do filtro de água limpa				
Limpeza de filtro de sucção				
Inspecção do nível de fluido da bateria WET				
Inspecção do aperto dos parafusos e porcas			(1)	
Isolador Inferior (somente para máquina orbital)			(2)	
Verificação ou substituição de escova de carbono de motor da escova				(2)
Verificação ou substituição de escova de carbono de motor de aspiração				(2)
Controlo ou substituição dos carvões do motor do sistema de tracção				(2)

INTRODUCERE**ATENȚIE!**

Anumite date generale și informații despre mașină nu sunt incluse în acest ghid.

Vă rugăm consultați manualul GHID PENTRU PORNIRE RAPIDĂ, furnizat pe un CD-ROM care se citește cu Adobe® Reader®.

**NOTĂ**

Numererele din paranteze se referă la componentele arătate la capitolul Descrierea mașinii.

CONȚINUTUL ȘI SCOPUL GHIDULUI

Scopul acestui Ghid pentru pornire rapidă este de a asigura operatorului toate informațiile de bază necesare pentru utilizarea adecvată a mașinii. Pentru informații despre caracteristicile tehnice, operare, starea de inactivitate a mașinii, piese de schimb, condiții de siguranță etc., consultați GHIDUL PENTRU PORNIRE RAPIDĂ furnizat pe CD-ROM.

Înainte de a efectua orice procedură pe mașină, operatorii și tehnicienii calificați trebuie să citească ghidul pentru pornire rapidă. Contactați compania noastră în cazul în care aveți nelămuriri cu privire la interpretarea instrucțiunilor sau pentru orice alte informații.

CUM SE PĂSTREAZĂ ACEST GHID PENTRU PORNIRE RAPIDĂ

Ghidul pentru pornire rapidă trebuie păstrat în vecinătatea mașinii, într-o casetă corespunzătoare, ferită de lichide sau de alte substanțe ce pot cauza deteriorarea sa.

DECLARAȚIE DE CONFORMITATE

Declarația de conformitate se furnizează odată cu mașina și certifică faptul că mașina e conformă cu legislația în vigoare.

**NOTĂ**

Împreună cu documentația mașinii se dau copii ale declarației de conformitate originale.

ACCESORII ȘI ÎNTREȚINERE

Toate procedurile de operare, întreținere și reparație trebuie executate de personal calificat sau de compania noastră la centrul service desemnat. Se vor utiliza NUMAI piese de schimb autorizate.

Contactați centrul de service clienți al companiei noastre pentru orice operație de service sau pentru achiziționarea de accesorii sau piese de schimb, dacă este necesar.

SCHIMBARE ȘI ÎMBUNĂTĂȚIRE

Noi suntem angajați într-un proces continuu de îmbunătățire a produselor noastre, ne rezervăm dreptul de a schimba și îmbunătăți mașina fără informare suplimentară.

SCOPUL APLICAȚIEI

Mașina de rașchetare are aplicații în domeniul industrial și comercial. Este potrivită pentru curățenia suprafețelor lustruite și a pardoselilor solide, fiind utilizată de personal calificat în condiții de siguranță. Nu este potrivită pentru utilizarea în spații exterioare și nici pentru curățenia covoarelor sau a pardoselilor rugoase.

DATE DE IDENTIFICARE A MAȘINII

Denumirea modelului și numărul de serie al mașinii sunt marcate pe eticheta de serie.

Aceste informații sunt utile. Utilizați următorul tabel pentru a nota datele de identificare a mașinii atunci când se face cerere de ofertă pentru piese de schimb pentru mașină.

MODEL MAȘINĂ.....
NUMĂR DE SERIE MAȘINĂ.....

TRANSPORT ȘI DESPACHETARE

Când transportatorul a adus mașina, asigurați-vă că atât ambalajul cât și mașina sunt nedeteriorate și întregi. Dacă sunt deteriorări aduceți la cunoștința transportatorului defecțiunea înainte de a face recepția mărfii și rezervați-vă dreptul de compensare a defecțiunii.

Urmați instrucțiunile de despachetare cu strictețe atunci când despachetați mașina.

Verificați ambalajul pentru a vă asigura că există următoarele:

1. Documentație tehnică Ghid pentru pornire rapidă
2. Lista pieselor (*)
3. Conector baterie.
4. Manualul încărcătorului de baterie electronic (dacă este instalat) (*)

NORME DE PROTECȚIE

Următoarele simboluri indică situații potențial periculoase. Citiți întotdeauna aceste informații cu atenție și luați toate măsurile de prevenire pentru protecția personalului și a proprietății.

SIMBOLURI VIZIBILE PE MAȘINĂ**AVERTIZARE!**

Citiți cu atenție toate instrucțiunile înainte de a executa o operațiune cu mașina.

**AVERTIZARE!**

Nu spălați mașina sub jet direct de apă sau cu apă sub presiune.

**AVERTIZARE!**

Nu utilizați mașina pe suprafețe în pantă cu unghi mai mare decât cel prevăzut în specificație.

SIMBOLURI CARE APAR ÎN GHIDUL PENTRU PORNIRE RAPIDĂ**PERICOL!**

Indică o situație periculoasă cu risc de moarte pentru operator.

**AVERTIZARE!**

Indică un potențial risc de rănire a persoanelor.

**ATENȚIE!**

Indică o atenționare sau observație cu privire la funcții importante sau de ajutor. Dați atenție deosebită paragrafelor marcate cu acest simbol.

**NOTĂ**

Indică o observație cu privire la funcții importante sau de ajutor.

**CONSULTARE**

Indică necesitatea de a consulta ghidul pentru pornire rapidă înainte de a efectua orice procedură.

INSTRUCȚIUNI GENERALE DE PROTECȚIE

Atenționările specifice pentru a se aduce la cunoștință riscul de defectare a mașinii sau de rănire a persoanelor.



PERICOL!

- Această mașină trebuie operată de personal autorizat și instruit în conformitate cu instrucțiunile din manual.
- Înainte de a executa o operație de curățenie, întreținere, reparație sau înlocuire, citiți toate instrucțiunile cu atenție; asigurați-vă că ați oprit mașina și că ați deconectat bateria.
- Nu operați mașina în apropierea lichidelor, prafurilor sau vaporilor toxici, periculoși, inflamabili sau explozivi. Această mașină nu este potrivită pentru strângerea pudrelor periculoase.
- Nu purtați bijuterii când lucrați în vecinătatea componentelor electrice.
- Nu lucrați sub mașinile ridicate fără ca acestea să fie sprijinite pe standuri de protecție.
- Dacă folosiți baterii cu plumb (WET), acestea pot emite gaze inflamabile în condiții normale de lucru și trebuie ferite de scântei, flăcări deschise, materiale fumigene, iradiante, iluminante și arzătoare.
- La încărcarea bateriilor cu plumb (WET) acestea pot emite gaz de hidrogen ceea ce poate cauza explozie. Trebuie să se asigure faptul că mediul este bine ventilat și ferit de flăcări deschise.



AVERTIZARE!

- Această mașină este concepută pentru UZ COMERCIAL, de exemplu, în hoteluri, școli, spitale, fabrici, magazine, birouri și agenți comerciali din domeniul închirierilor.
- Mașinile lăsate nesupravegheate trebuie să fie blocate împotriva mișcării neintenționate.
- Pentru a preveni utilizarea neautorizată a mașinii, sursa de alimentare trebuie să fie oprită sau blocată, de exemplu, prin scoaterea cheii întrerupătorului principal sau a cheii de contact.
- Verificați cu atenție mașina înainte de fiecare utilizare. Asigurați-vă că toate componentele au fost bine asamblate înainte de utilizare. În caz contrar, pot fi cauzate avarieri ale mașinii și rănirea persoanelor.
- Înainte de utilizarea încărcătorului, asigurați-vă că valorile frecvenței și tensiunea indicată pe eticheta cu numărul de serie al mașinii sunt corespunzătoare cu cele ale prizei de alimentare.
- Nu deplasați niciodată mașina trăgând de cablul încărcătorului bateriei. Nu lăsați cablul să treacă printr-o ușă închisă și nici nu îl înfășurați pe margini ascuțite, nici nu îl îndoiți în unghiuri ascuțite. Nu treceți cu mașina peste cablul de încărcare al bateriei. Feriți cablul încărcătorului de suprafețe încălzite.
Nu încărcați bateriile dacă ștecherul sau cablul încărcătorului sunt defecte.
- Pentru reducerea riscului de incendiu, de electrocutare sau rănire, asigurați-vă că mașina este oprită înainte de plecare.
- Utilizați și depozitați mașina în spații închise, pe suprafețe uscate; este interzisă utilizarea ei în exterior.
- Temperatura de lucru și de depozitare a mașinii trebuie să fie între 0 °C și +40 °C, umiditatea aerului trebuie să fie de 30 %-95 %.
- Nu utilizați mașina pe suprafețe în pantă cu unghi mai mare decât în specificația dată.
- Când utilizați și manipulați detergenți pentru curățare, urmați instrucțiunile de pe etichetele ambalajelor de detergent și purtați mănuși corespunzătoare și echipament de protecție.
- Utilizați periile și materialele textile furnizate cu mașina sau de tipul prevăzut în manual. Utilizarea altor tipuri de perie sau materiale textile pot duce la diminuarea protecției.
- În caz de funcționare defectuoasă a mașinii, asigurați-vă că aceasta nu se datorează întreținerii necorespunzătoare. Dacă este necesar, solicitați asistență din partea personalului autorizat sau de la un centru service autorizat.
- Luați toate măsurile de precauție pentru a preveni prinderea părului, a bijuteriilor, a hainelor largi, în piesele aflate în mișcare ale mașinii.
- Nu utilizați mașina în zone cu foarte mult praf.

- Nu spălați mașina cu jet direct de apă sau cu apă sub presiune și nici cu substanțe corozive.
- Nu tamponați mașina de rafturi sau de schele, mai ales dacă există riscul de cădere a diferitelor obiecte.
- Nu puneți pe mașină recipiente cu lichid, utilizați suportul dedicat pentru acestea.
- Pentru evitarea degradării podelei, nu lăsați peria în funcționare în timp ce mașina staționează.
- În caz de incendiu, utilizați un extingtor cu praf. A nu se utiliza extincitoare cu lichid.
- A nu se îndepărta sau modifica etichetele de pe mașină.
- Mențineți în permanență elementele de protecție ale mașinii în bună stare de funcționare și respectați instrucțiunile de mentenanță ordinară cu scrupulozitate.
- Transportul mașinii când temperaturile sunt sub punctul de îngheț se va face cu atenție. Apa din rezervorul de recuperare și din furtune poate îngheța și cauza defecțiuni grave ale mașinii.
- Dacă trebuie înlocuite piesele de schimb, comandați piese de schimb **ORIGINALE** de la reprezentanți comerciali autorizați.
- Returnați mașina la centrul de service dacă aceasta nu funcționează în mod normal sau este în stare de avariere, a fost ținută în spații exterioare sau a căzut în apă.
- Pentru a vă asigura de funcționarea în condiții de siguranță a mașinii, operațiile de întreținere programată indicate în capitolul relevant trebuie să se execute de personal autorizat sau de un centru service.
- Mașina se va dezafecta în mod corespunzător întrucât conține substanțe dăunătoare (baterii, etc.), ce se supun prevederilor standardelor ce impun dezafectarea în centre speciale (vedeți capitolul Dezafectare).
- A se utiliza această mașină numai ca unealtă de curățare, nu în alt scop.
- A se menține întotdeauna orificiile neînfundate cu păr, praf sau alte corpuri străine, care ar putea reduce debitul de aer. A nu se utiliza mașina dacă orificiile ei sunt înfundate.
- A se utiliza mașina numai în locuri iluminate în mod corespunzător.
- Această mașină nu este concepută pentru utilizarea de către persoane (inclusiv copii) cu capacități fizice, senzoriale sau mentale reduse sau cu lipsă de experiență și cunoștințe.
- Este necesară atenție deosebită în cazul utilizării în preajma copiilor.
- Copiii vor fi supravegheați să nu se joace cu mașina.
- În timpul funcționării mașinii, aveți grijă să nu cauzați rănirea persoanelor sau deteriorarea obiectelor din jur.
- Curățarea și întreținerea efectuată de către utilizator nu trebuie să fie efectuate de copii nesupravegheați.

DESCRIEREA MAȘINII

STRUCTURA MAȘINII (după cum se arată în Figura 1)

- | | |
|---|---|
| 1. Capacul rezervorului apei recuperate | 15. Balama |
| 2. Suport cutie | 16. Rezervor apă recuperată |
| 3. Ghidon | 17. Capac filtru |
| 4. Panou de comandă | 18. Suport furtun de umplere |
| 5. Cutie de comandă | 19. Suport filtru |
| 6. Placă cu număr de serie/date tehnice | 20. Garnitură de etanșare capac rezervor |
| 7. Capac evacuare | 21. Cutie de colectare gunoi |
| 8. Butoane racletă | 22. Filtru cu flotor sferă |
| 9. Furtun de aspirare racletă | 23. Soluție/apă curată de la robinet |
| 10. Buton de ajustare echilibru racletă | 24. Roți de direcție spate |
| 11. Racletă | 25. Sistem de perii (numai pentru mașina cu disc) |
| 12. Filtru soluție | 26. Gardă anti-stropire |
| 13. Roți de tracțiune | 27. Buton de reglare cap orbital |
| 14. Rezervor soluție | 28. Sistem orbital (numai pentru mașina orbitală) |

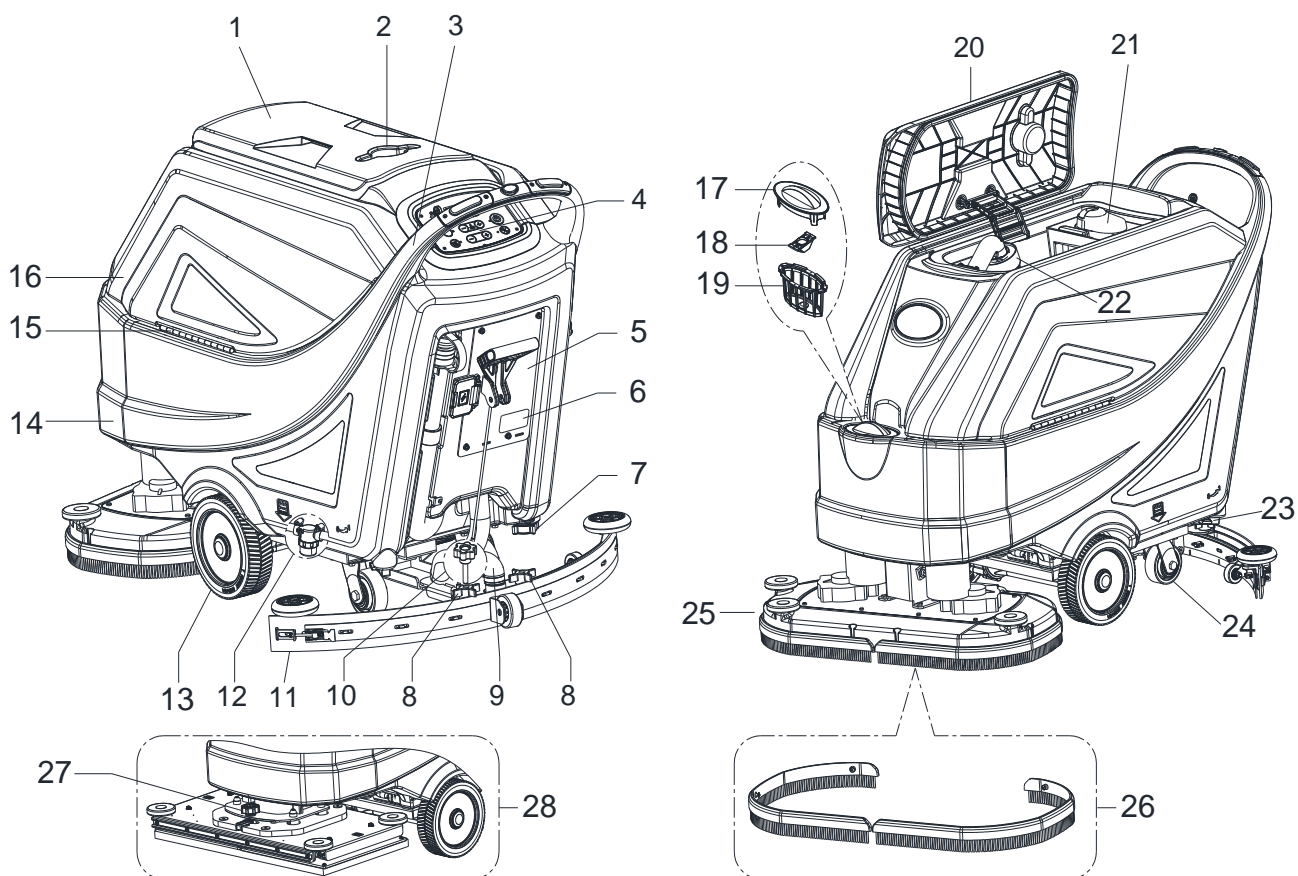
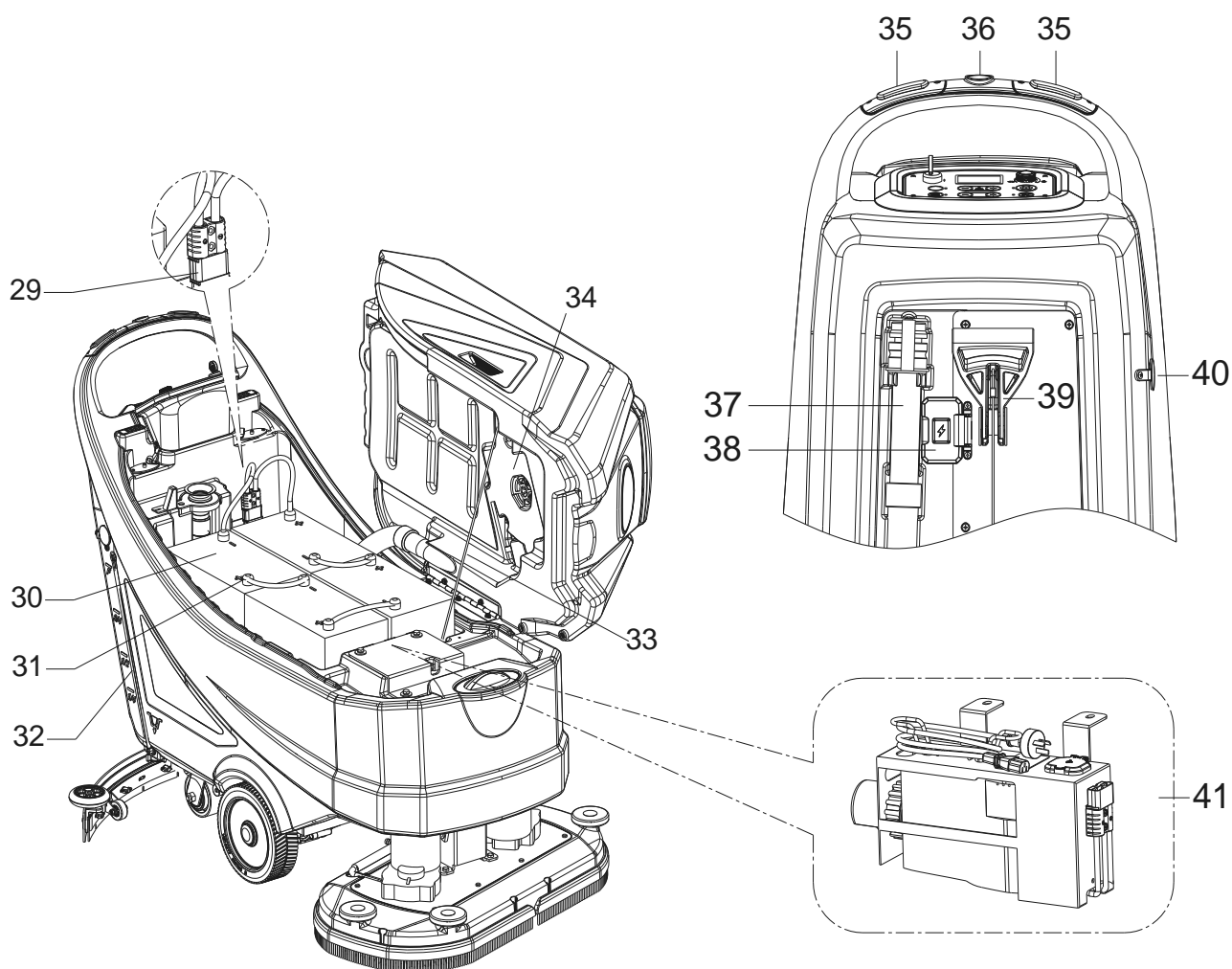


Figura 1

STRUCTURA MAȘINII (după cum se arată în Figura 2)

- | | |
|---------------------------------|---|
| 29. Conector baterie (roșu) | 36. Comutator marșarier mașină |
| 30. Baterii (*) | 37. Furtun de scurgere apă recuperată |
| 31. Capace baterii | 38. Capac de siguranță mufă de încărcare |
| 32. Tub indicator nivel de apă | 39. Mâner de ridicare/coborâre racletă |
| 33. Cablu de siguranță rezervor | 40. Dop lateral de umplere rezervor soluție |
| 34. Sistem de aspirare | 41. Încărcător de bord (*) |
| 35. Comutator de siguranță | (*): Opțional |

**Figura 2**

PANOU COMANDĂ (conform cu Figura 3)

41. Afișaj multifuncțional
Elemente afișate:
A) Tip de baterie
B) Nivel de încărcare baterie
C) Ore lucrare
D) Mod ECO
E) Mod de aspirare normal
F) Mod de aspirare silențios
G) Mod marșarier
H) Extra-presiune activă
I) Debit soluție de detergent
J) Mod de funcționare perie
K) Mod aspirare
L) Mod pregătire podea
42. Cheie de contact (0 - I)
43. Buton mod ECO
• Led aprins dedesubt – funcție activată
• debit de apă la minimum (nivel 1)
• presiune la minimum (nivel 1)
• Aspirare în modul silențios
44. Buton de eliberare perie/suport de lavetă (numai pentru mașina cu disc)
• Led intermitent – sistem de eliberare activat
45. Buton de pregătire podea (numai pentru mașina orbitală)
• Viteză de deplasare presetată la 1 km/oră
• Led aprins dedesubt – funcție activată
• debit de apă la minimum (nivel 1)
• presiune la maximum (nivel 3)
• Aspirare în modul normal
46. Buton de ajustare presiune perie
47. Buton de ajustare debit soluție
48. Ajustor de viteză
49. Pornire cu un singur buton
• Led aprins dedesubt – funcție activată
• sistem de apă la minimum (nivel 1)
• presiune la minimum (nivel 1)
• sistem de aspirare normal
50. Buton de reglare a sistemului de aspirare (apăsați butonul timp de 1 secundă, până la activare)
• LED aprins – mod normal
• LED intermitent – mod silențios

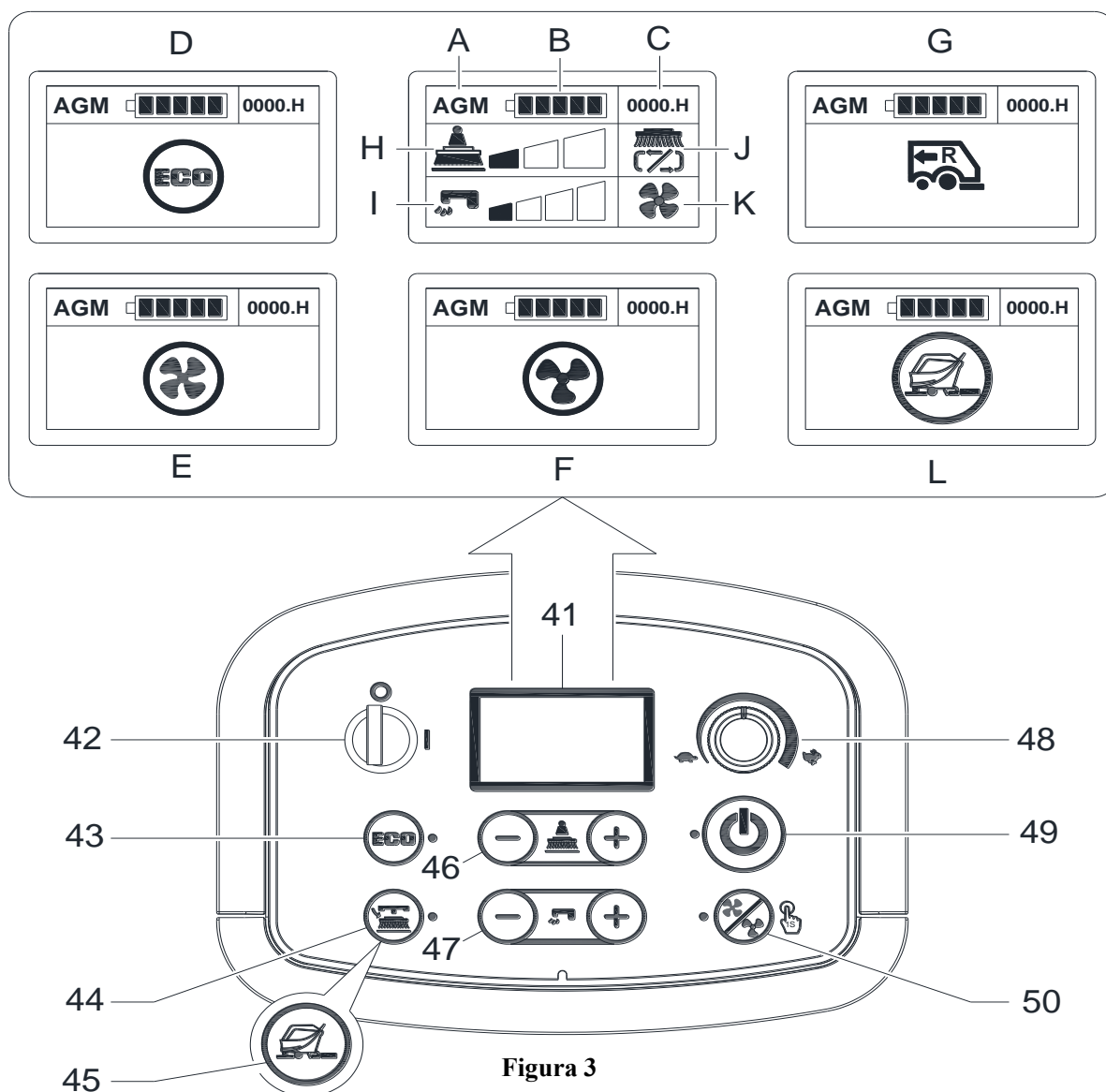


Figura 3

PARAMETRII TEHNICI

Tip de parametru	Unități	Model		
		AS6690T	AS7690T	AS7190TO
Capacitate rezervor soluție	l/gal.	85 l/22 gal.		
Capacitate rezervor apă recuperată	l/gal.	90 l/24 gal.		
Lungime mașină	mm/țoli	1490 mm/ 59 țoli	1550 mm/ 61 țoli	1490 mm/ 59 țoli
Lățime mașină cu racletă inclusă	mm/țoli	830 mm/ 33 țoli	950 mm/ 38 țoli	
Lățime mașină fără racletă	mm/țoli	730 mm/29 țoli	830 mm/33 țoli	750 mm/30 țoli
Înălțime mașină	mm/țoli	1020 mm/40,2 țoli		
Lățime de lucru	mm/țoli	660 mm/26 țoli	760 mm/30 țoli	710 mm/28 țoli
Diametru roată de tracțiune	mm/țoli	230 mm/9 țoli		
Presiune specifică a roții de tracțiune pe podea	N/mm ²	0,67 N/mm ²		
Diametru roată spate	mm/țoli	101 mm/4 țoli		
Presiune specifică a roții spate pe podea	N/mm ²	0,82 N/mm ²		
Diametru perie/lavetă	mm/țoli	330 mm x 2/ 13 țoli x 2	380 mm x 2/ 15 țoli x 2	355 x 710 mm/ 14x28 țoli
Presiune perie/lavetă (max.)	kg/livre	32 kg/71 livre 41 kg/90 livre 49 kg/108 livre	35 kg/77 livre 43 kg/95 livre 51 kg/112 livre	42 kg/93 livre 54 kg/120 livre 65 kg/143 livre
Debit soluție (max.) per setare	l/gal. pe minut	(0,9/1,5/2,2/3) litri (0,24/0,39/0,58/0,79) galoane		(0,6/1,1/1,9/2,5) litri (0,16/0,29/0,5/0,66) galoane
Nivel de presiune sonoră	dB(A)	69 ± 3 dB(A)		
Nivel de presiune sonoră în modul ECO sau modul silențios	dB(A)	65 ± 3 dB(A)		
Nivel vibrații mâner (max.)	m/s ²	< 2,5 m/s ²		
Capacitate de urcare (max.)	Grade procentuale	2%		
Spațiu minim pentru întoarcere	cm/țoli	155 cm/61 țoli	165 cm/65 țoli	160 cm/63 țoli
Putere motor tractor	wați/cai putere	250 W/0,33 CP		350 W/0,47 CP
Viteză de lucru	km/mile pe oră	0-4,0 km/0-2,5 mile pe oră		0-3, 2 km/0-2,0 mile pe oră
Viteză de deplasare înainte	km/mile pe oră	0-4,0 km/0-2,5 mile pe oră		
Viteză de deplasare în marșarier	km/mile pe oră	0-2,0 km/0-1,25 mile pe oră		
Putere motor aspirare	wați/cai putere	500 W/0,66 CP		
Capacitate de aspirare	mm/țoli de H ₂ O	1500 mm/60 țoli de H ₂ O		
Capacitate de aspirare în modul ECO sau modul silențios	mm/țoli de H ₂ O	900 mm/35 țoli de H ₂ O		
Putere motor perie	wați/cai putere	500 x 2 wați/0,66 x 2 CP		750 wați/1,0 CP
Viteză perie în modul normal	rpm	200 rpm		2200 rpm
Viteză perie în modul ECO	rpm	160 rpm		1600 rpm
Clasă de protecție IP	IP	IP24		
Dimensiuni compartiment baterie cu încărcător la sol (L x l x h)	mm/țoli	(620 x 385 x 390) mm / 24,4 x 15,1 x 15,3 țoli		
Dimensiuni compartiment baterie cu încărcător de bord (L x l x h) (*)	mm/țoli	(535 x 385 x 390) mm / 21 x 15,1 x 15,3 țoli		
Tensiune	c.c.	24 V		
Baterii (*)	Ah	nu e cazul		
Durată baterie (baterii standard) (*)	oră	Până la 4 ore		
Încărcător de bord (*)	volți/amperi	24V 25A		
Productivitate (max.)	m ² /h	2 640 m ² /h	3 040 m ² /h	2 272 m ² /h
Greutate mașină cu rezervoarele goale (fără baterii)	kg/livre	135 kg/298 livre	138 kg/304 livre	148 kg/326 livre
Greutate brută vehicul (GVW)	kg/livre	347 kg/765 livre	350 kg/772 livre	360 kg/794 livre
Greutate transport	kg/livre	202 kg/444 livre	205 kg/451 livre	215 kg/473 livre
Dimensiuni ambalare (L x l x h)	mm/țoli	(1 620 x 810 x 1 215 mm) / (64 x 32 x 48 țoli)	(1 660 x 910 x 1 215 mm) / (66 x 36 x 48 țoli)	

(*) : Opțional

GHID DE FUNCȚIONARE



AVERTIZARE!

Pe anumite puncte ale mașinii sunt lipite plăcuțe cu mențiunile:

- PERICOL!
- AVERTIZARE!
- ATENȚIE!
- CONSULTARE

După citirea acestui manual, operatorul trebuie să dea o atenție deosebită acestor simboluri indicate pe plăcuțe. Nu acoperiți în niciun caz aceste plăcuțe și înlocuiți-le imediat în caz de deteriorare.

VERIFICARE/SETARE BATERII PE O NOUĂ MAȘINĂ



AVERTIZARE!

Componentele electrice ale mașinii pot fi grav avariate dacă bateriile sunt instalate sau conectate incorect. Bateriile trebuie instalate numai de către personal calificat. Setati funcționarea plăcii electronice și a încărcătorului încorporat al bateriilor (baterii WET sau GEL/AGM). Înainte de instalare, verificați ca bateriile să nu fie deteriorate. Deconectați conectorul bateriei și stekerul încărcătorului. Manipulați bateriile cu multă atenție. Instalați capacele de protecție ale bornelor bateriilor furnizate odată cu mașina.

Baterii instalate deja pe mașină

1. Asigurați-vă că conectorul bateriei (29, Figura 2) este conectat.
2. Când utilizați mașina pentru prima dată cu baterii noi, efectuați un ciclu complet de încărcare (consultați procedura de la capitolul Întreținere).

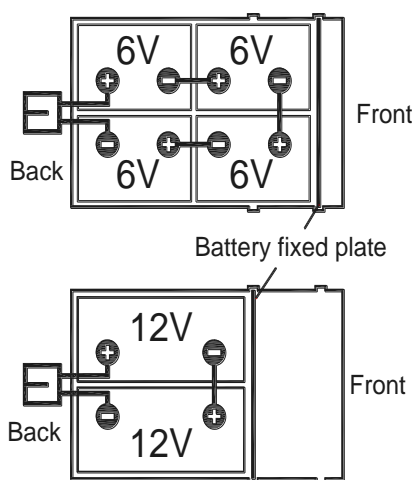


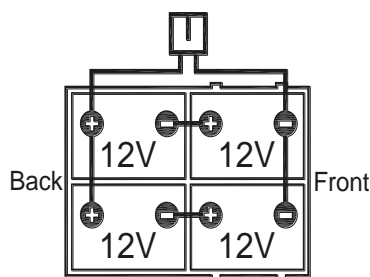
Figura 4



NOTĂ

Pentru mașină sunt necesare două baterii de 12 V sau patru baterii de 6 V, conectate conform schemei (Figura 4).

Amplasați placa fixată pe baterii corect, ca în (Figura 4).



Fără baterii

1. Cumpărați baterii adecvate (a se vedea paragraful „Date tehnice”). Pentru alegerea și instalarea bateriilor, apelați la distribuitorii calificați de baterii.
2. Setati mașina în funcție de tipul de baterii instalate, după cum se arată în secțiunea Super-utilizator din capitolul Întreținere.

INSTALAREA BATERIILOR ȘI STABILIRE TIP BATERIE (WET OR GEL/AGM OR DIS OR ENES)**Instalarea bateriei**

1. Deschideți capacul rezervorului de apă recuperată (1, Figura 1) și verificați ca rezervorul de apă recuperată (16) să fie gol; dacă nu este, goliți-l cu ajutorul furtunului de scurgere. (37, Figura 2)
2. Închideți capacul rezervorului de apă recuperată (1, Figura 1).
3. Ridicați rezervorul de apă recuperată (16, Figura 1) cu atenție.
4. Mașina este furnizată cu cabluri adecvate pentru instalarea a două baterii de 12 V sau a patru baterii de 6 V. Puneți cu atenție bateriile în compartimentul lor și instalați-le corect. Amplasați placa fixată pe baterii corect, ca în (Figura 4).
5. Pozați și instalați cablul bateriei ca în (Figura 4), apoi strângeți cu grijă piulița de la fiecare bornă a bateriei.
6. Puneți capacul de protecție pe fiecare bornă, apoi conectați conectorul bateriei (29, Figura 2).
7. Readuceți, cu grijă, pe poziție rezervorul de apă recuperată (16, Figura 1).

Setarea tipului de baterii (WET OR GEL/AGM OR DIS OR ENES)**Acces pentru selectarea modului bateriei**

În funcție de tipul de baterii utilizate (WET sau GEL/AGM), setați mașina după cum urmează:

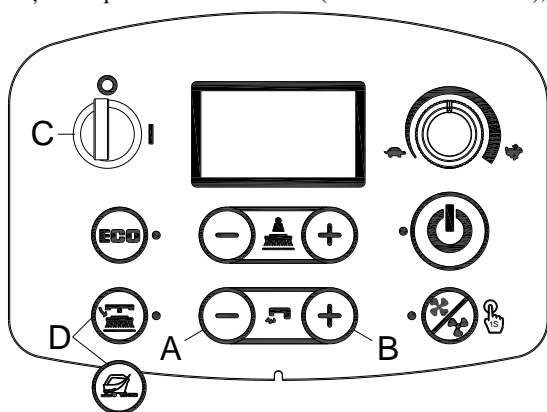


Figura 5

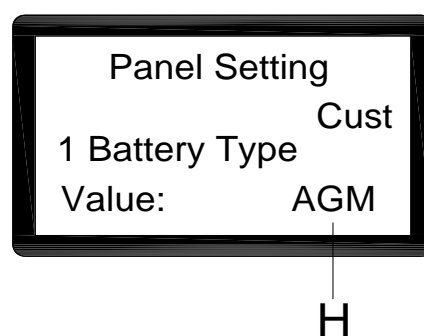
Access to select battery mode

Figura 6

1. Apăsăți butonul pentru debitul de apă „+” (A, Figura 5) și „-” (B, Figura 5) concomitent.
2. Introduceți cheia de contact (C, Figura 5) și întoarceți-o pe poziția „I”.
3. După câteva secunde, accesați ecranul de selectare a modului bateriei (Figura 6)
4. Apăsăți butonul pentru debitul de apă „-” (A, Figura 5) și „+” (B, Figura 5) pentru a selecta modul bateriei (H, Figura 6)
5. Apăsăți butonul de eliberare pentru versiunea de disc sau butonul de pregătire a podelei pentru versiunea orbitală (D, Figura 5), Dacă după 3 secunde se afișează „Actualizare OK”, înseamnă că setarea a fost efectuată cu succes; reporniți mașina. (C, Figura 5)

Setarea încărcătorului bateriei (numai pentru încărcătorul de bord, dacă este instalat)**AVERTIZARE!**

Nu setați încărcătorul dacă nu aveți o calificare profesională adecvată

1. Opriți mașina și dezasamblați încărcătorul de bord (A, Figura 7) de pe mașină. Apoi, desprindeți puțin eticheta de pe capacul încărcătorului (B, Figura 7); veți găsi cele 2 grupuri de întrerupătoare manuale (SW1 și SW2) în încărcător.
2. Numai grupul de întrerupătoare manuale SW1 (cel din stânga) are efecte asupra selectării curbei de încărcare potrivit tabelului de mai jos.

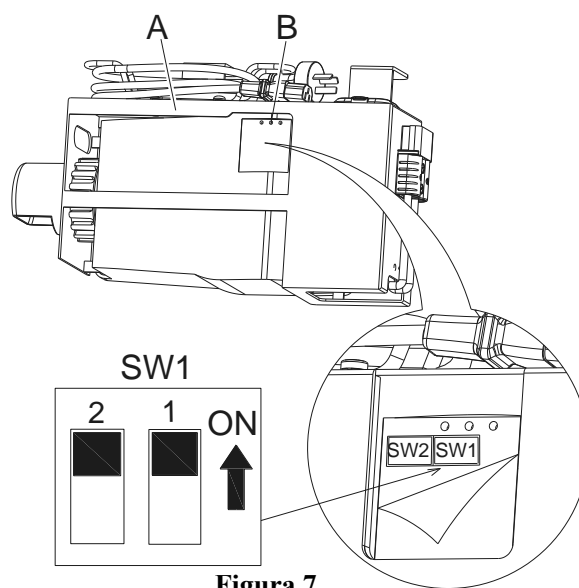


Figura 7

DP1	DP2	CURBĂ DE ÎNCĂRCARE
PORNIT	OPRIT	IUIa-ACD pentru baterii plumb-acid (Wet)
OPRIT	OPRIT	IUIa-GEL pentru baterii cu gel de la Exide-Sonnenschein
OPRIT	PORNIT	IUU0-GEL pentru baterii cu gel HAZE și baterii AGM de la alți producători
PORNIT	PORNIT	IUIUa-AGM pentru baterii Discover AGM

Încărcare baterie

Încărcați bateriile complet (consultați procedura de la capitolul Întreținere).

Descărcarea bateriilor

Când simbolul bateriei este plin (G, Figura 8), bateriile permit mașinii să funcționeze normal. Când simbolul bateriei este gol (H, Figura 8), bateriile trebuie să fie încărcate. După câteva secunde de la apariția simbolului de nivel scăzut al bateriei, peria/suportul de lavetă se oprește automat, în vreme ce sistemul motor rămâne pornit. Deplasați mașina imediat la locul destinat reîncărcării bateriei.

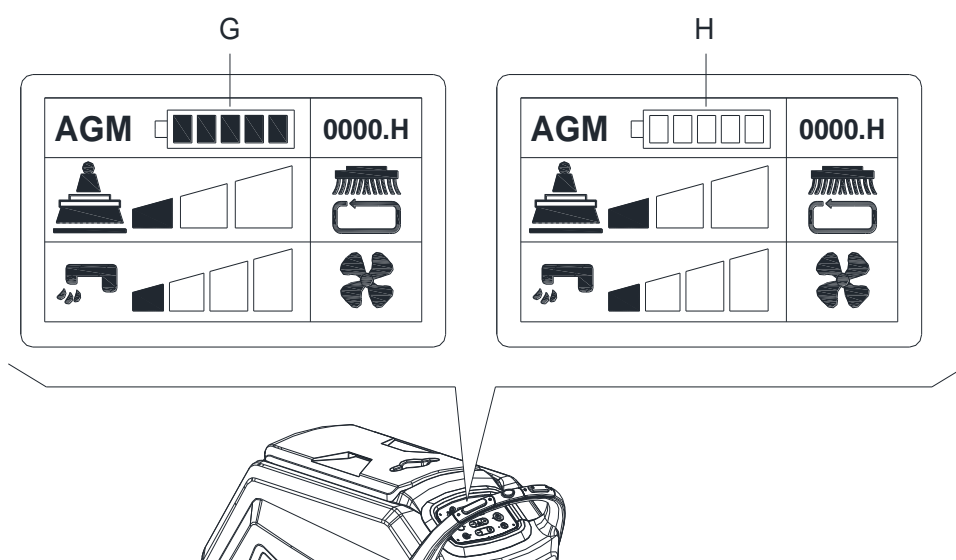


Figura 8



ATENȚIE!

Când bateriile sunt descărcate, încărcați-le cât mai curând posibil, deoarece păstrarea în stare descărcată reduce durata de viață a bateriilor. Verificați nivelul de încărcare al bateriilor cel puțin o dată pe săptămână.

INSTALAREA ȘI ÎNDEPĂRTAREA PERIEI/SUPPORTULUI DE LAVETĂ (numai pentru mașina cu disc)**NOTĂ**

Instalați peria (A, Figura 9) sau suportul de lavetă (B și C, Figura 9) în funcție de tipul de podea ce urmează a fi curățată.

**ATENȚIE!**

Înainte de instalarea sau îndepărtarea periei sau a suportului de lavetă, asigurați-vă că toate comutatoarele mașinii sunt pe poziția oprită și că racleta este ridicată de la podea. Operatorul trebuie să fie echipat cu echipament de protecție adecvat, precum mănuși, care are menirea de a reduce riscurile de accidentare.

Procedați după cum urmează:

INSTALARE:

1. Inșerați cheia de contact (42, Figura 3) și rotiți-o la poziția „I”. Ridicați puntea. Opriti mașina prin îndepărtarea cheii de contact (42).
2. Puneți ajustorul de viteză (48) la poziția ralanti prin rotirea sa în sens invers acelor de ceasornic.
3. Puneți periile (A, Figura 9) sau suportul de lavetă (B) sub punte.
4. Utilizați metoda manuală rotind peria/suportul de lavetă în sensul opus sensului normal de rotire, ceea ce permite instalarea. (ca în Figura 9)

ÎNDEPĂRTARE:

1. Inșerați cheia de contact (42, Figura 3) și rotiți-o la poziția „I”. Pentru a îndepărta peria/suportul de lavetă, ridicați puntea apăsând butonul de eliberare a periei/suportului de lavetă (44); peria/suportul de lavetă va fi eliberat(ă) automat.

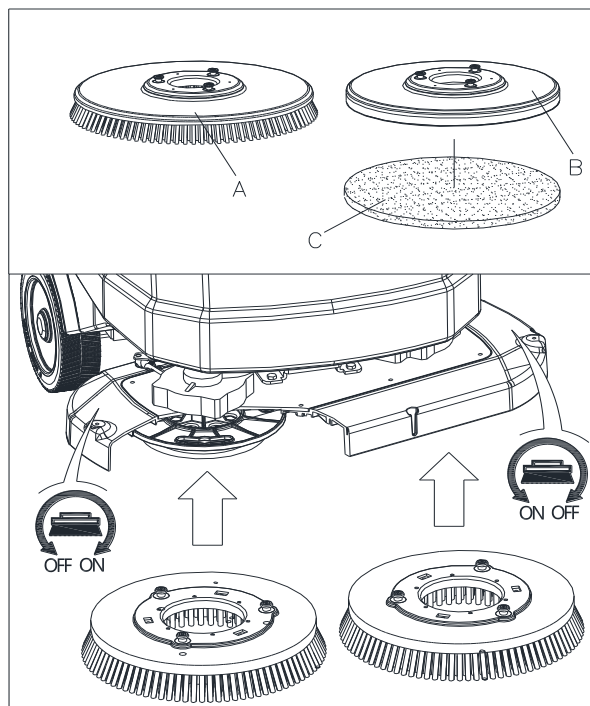


Figura 9

INSTALAREA ȘI ÎNDEPĂRTAREA LAVETEI (numai pentru mașina orbitală)

1. Inșerați cheia de contact (42, Figura 3) și rotiți-o la poziția „I”. Ridicați puntea. Opriti mașina prin îndepărtarea cheii de contact.
2. Utilizați metoda manuală pentru a instala sau a îndepărta laveta, ca în (Figura 10)

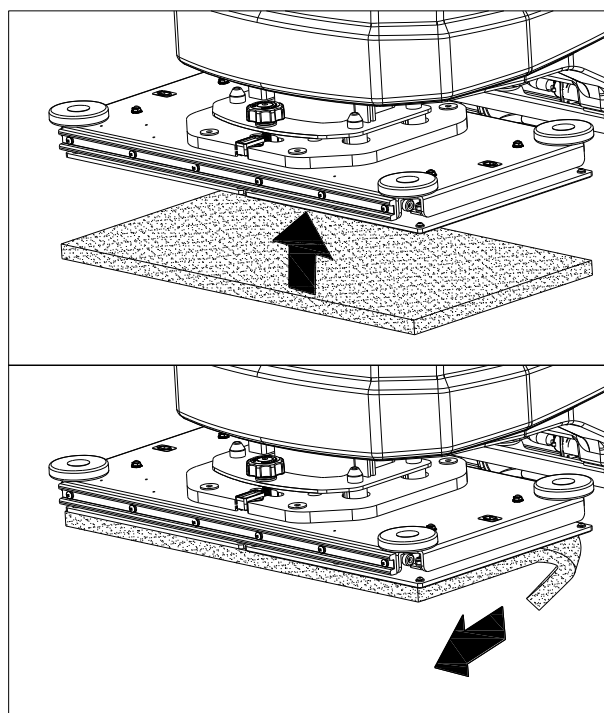
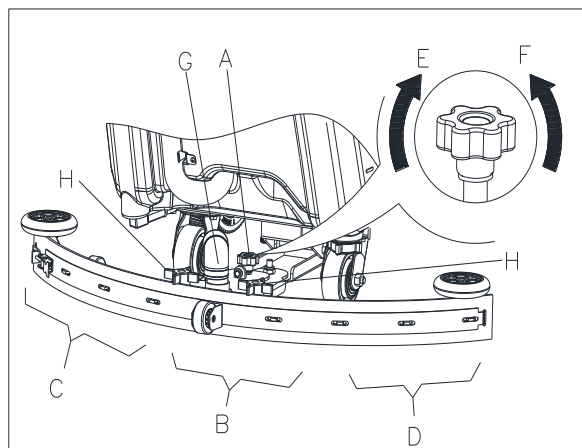


Figura 10

AJUSTAREA RACLETEI

1. Instalați racleta și strângeți piulițele (H, Figura 11), apoi conectați furtunul de aspirare (G) la racletă.
2. Ajustați racleta cu ajutorul mânerului de ajustare (A, Figura 11).
 - a) Dacă este un spațiu gol între podea și secțiunea din mijloc a lamei din spate a racletei (B), ajustați butonul (A) în sensul invers acelor de ceasornic (F) până când toate secțiunile lamei din spate a racletei sunt în contact ferm cu solul, iar lama din față atinge ușor solul.
 - b) Dacă este un spațiu gol între podea și ambele capete ale lamei din spate a racletei (C și D) ajustați butonul (A) în sensul acelor de ceasornic (E), până când toate secțiunile lamei din spate a racletei sunt în contact ferm cu solul, iar lama din față atinge ușor solul.

**Figura 11****UMPLEREA REZERVORULUI DE SOLUȚIE**

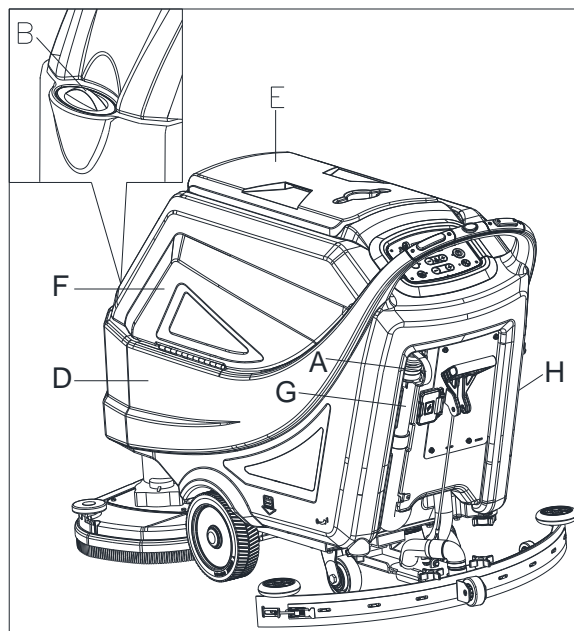
1. Deschideți capacul intrării pentru apă (E, Figura 12).
2. Umpleți cu apă sau soluție potrivită pentru executarea lucrării, prin intrarea pentru apă prevăzută cu filtru. Temperatura soluției nu trebuie să depășească +104F (+40°C).
3. Nu umpleți excesiv rezervorul, consultați indicatorul nivelului de apă (H) în ceea ce privește volumul de apă necesar.

**AVERTIZARE!**

Utilizați numai detergenți neinflamabili cu grad de spumare redus, destinați aplicațiilor de rașchetare.

PORNIREA ȘI OPRIREA MAȘINII**Pornirea mașinii**

1. Pregătiți mașina așa cum s-a arătat în paragraful anterior.
2. Inșerați cheia de contact (A, Figura 13) și rotiți-o la poziția „I”. Verificați starea bateriilor pe afișaj. Dacă este necesar, încărcați bateriile complet (consultați procedura de la capitolul Întreținere).
3. Conduceți mașina la zona de lucru:
 - Apăsând oricare comutator de siguranță (F) pentru deplasarea înainte sau apăsând comutatorul de siguranță (F) împreună cu comutatorul de marșarier (G) pentru deplasarea înapoi. Viteza deplasării înainte poate fi ajustată cu ajustorul (H).
4. Coborâți racleta (I) cu ajutorul mânerului de ridicare/coborâre a racletei (J).
5. Coborâți puntea periei/suportului de lavetă (K) prin apăsarea butonului de pornire cu un singur buton (L)
6. Apăsați butoanele de control debit soluție (O) după cum este necesar, în funcție de tipul de curățare ce urmează a se executa.
7. Începeți curățarea:
 - Apăsați oricare comutator de siguranță (F) pentru a activa deplasarea mașinii. Dacă este necesar, viteza deplasării înainte poate fi ajustată cu ajustorul (H).

**Figura 12**

**NOTĂ**

Pentru a deplasa mașina înainte, apăsați comutatorul de siguranță din stânga sau dreapta (F, Figura 13) sau ambele.

Oprirea mașinii

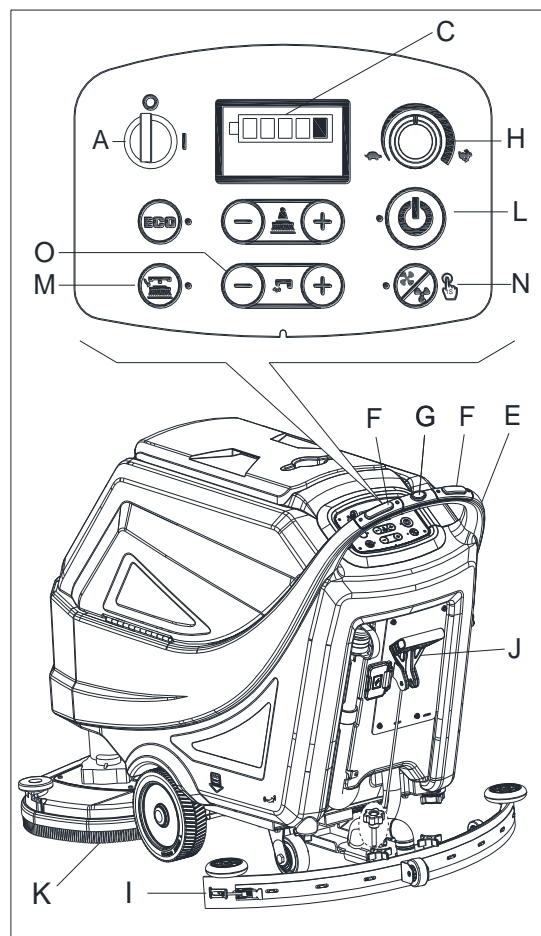
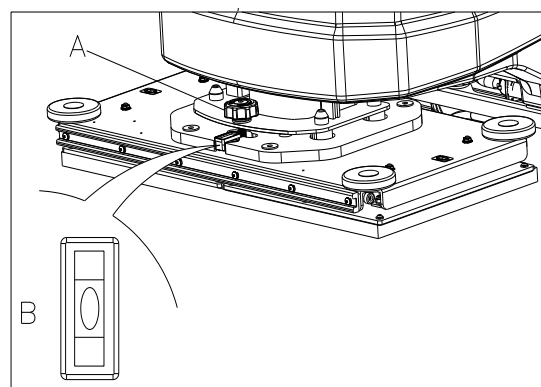
8. Opriți mașina prin eliberarea comutatoarelor de siguranță (F, Figura 13)
9. Periile se opresc. Sistemul de aspirare se oprește după câteva secunde.
10. Ridicați puntea periei/suportului de lavetă (K) prin apăsarea butonului de pornire cu un singur buton (L).
11. Ridicați racleta (I) cu ajutorul mânerului de ridicare/coborâre a racletei (J).
12. Rotiți cheia de contact (A) la poziția „0”.
13. Asigurați-vă că mașina nu se deplasează singură.

OPERAREA MAȘINII (FRECARĂ ȘI USCARE)

1. Porniți mașina așa cum s-a arătat în paragrafele anterioare.
2. În timp ce apăsați oricare comutator de siguranță (35, Figura 2), manevrați mașina și începeți să frecați/uscați podeaua.
3. Dacă este necesar, opriți mașina și ajustați racleta conform secțiunii „Ajustarea racletei”.

AJUSTAREA NIVELULUI PUNȚII ORBITALE (NUMAI PENTRU MAȘINA ORBITALĂ)

1. Inserați cheia de contact (42) și rotiți-o la poziția „I”.
Coborâți puntea periei/suportului de lavetă (25) prin apăsarea butonului de pornire cu un singur buton (49)
2. Ajustați nivelul punții orbitale prin ajustarea mânerului (A, Figura 14), astfel încât bula să se afle în centru (B, Figura 14).

**Figura 13****Figura 14**

**NOTĂ**

Pentru frecarea/uscarea corectă a podelelor în apropierea pereților. Se recomandă să mergeți pe lângă pereți cu partea dreaptă a mașinii (A și B, Figura 15) cum se arată în figură.

**ATENȚIE!**

Pentru a se evita deteriorarea suprafeței podelei, opriți periile/suportul de lavete atunci când mașina este oprită într-un loc, mai ales când este activată funcția de presiune mărită.

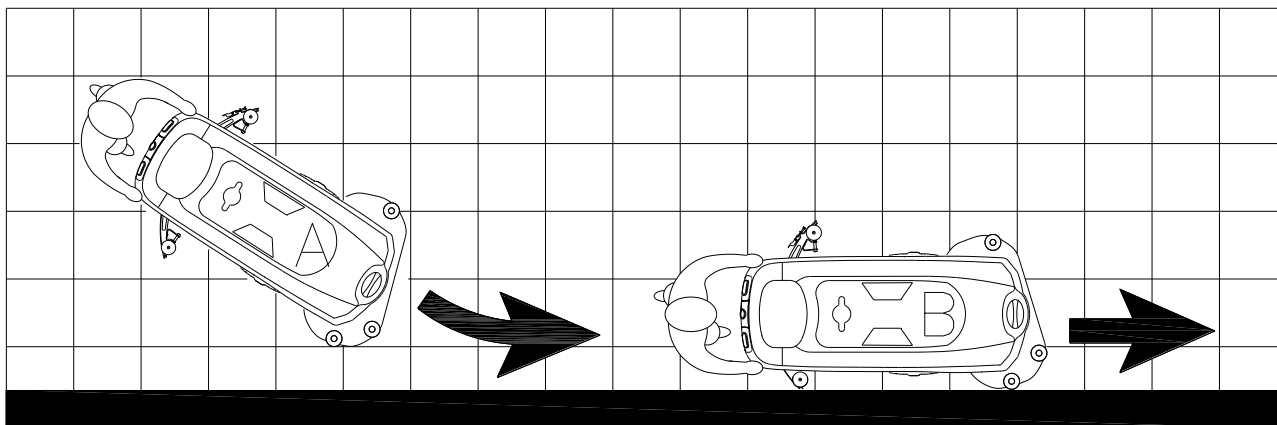


Figura 15

GOLIREA REZERVORULUI

Un sistem de închidere automată, cu flotor, (A, Figura 16) va bloca sistemul de aspirare când rezervorul de apă recuperată (B) este plin. Dezactivarea aspirării va fi semnalizată printr-o creștere bruscă a frecvenței zgomotului motorului de aspirare, iar podeaua nu va mai fi uscată.

**ATENȚIE!**

Dacă aspirarea se oprește în mod accidental (de exemplu, când flotorul este activat datorită unei mișcări bruște a mașinii), pentru a relua funcționarea: închideți sistemul de aspirare, apăsând comutatorul (50, Figura 3), apoi deschideți capacul (C, Figura 16) și verificați ca flotorul din interiorul grătarului (A) să coboare la nivelul apei. Apoi, închideți capacul (C) și porniți aspirarea apăsând comutatorul (50, Figura 3).

Când rezervorul de apă recuperată (B, Figura 16) este plin, goliți-l respectând procedura de mai jos.

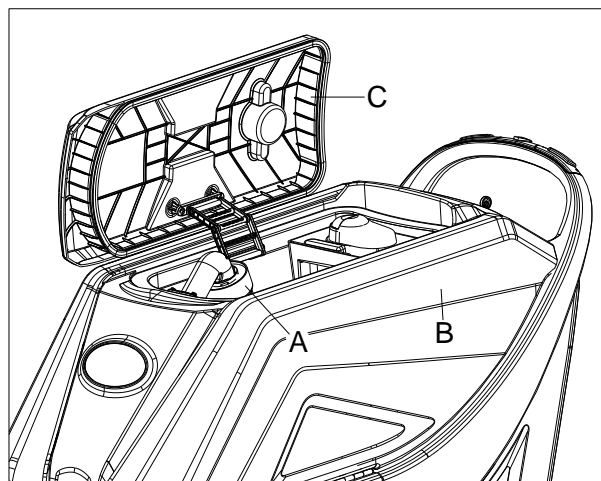


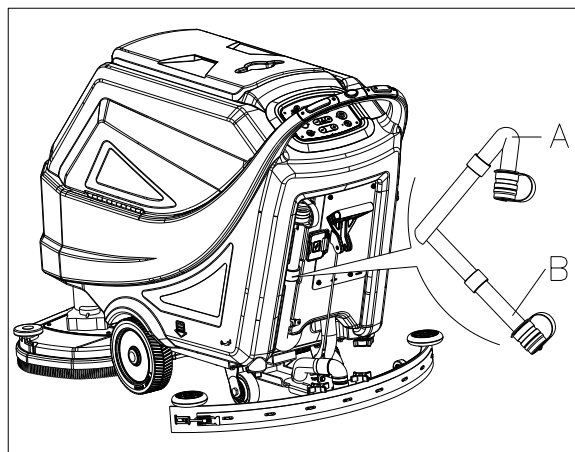
Figura 16

Golirea rezervorului de apă recuperată

1. Opriți mașina.
2. Ridicați periea/suportului de lavetă (25, Figura 1) prin apăsarea butonului de pornire cu un singur buton (49, Figura 3) sau reporniți mașina utilizând cheia de contact (42, Figura 3).
3. Ridicați racleta (11, Figura 1) cu ajutorul mânerului de ridicare/coborâre a racletei (39, Figura 2).
4. Deplasați mașina la locul destinat golirii murdăriei.
5. Goliți rezervorul de apă recuperată cu ajutorul furtunului (A, Figura 17). Apoi, clătiți rezervorul (B, Figura 16) cu apă curată.

**ATENȚIE!**

Când apa uzată se evacuează, tubul de aspirare trebuie să fie pliat (A, Figura 17) și aflat la o poziție inferioară (B, Figura 17), apoi deschideți capacul tubului de aspirare pentru a se scurge apa. Nu orientați în sus tubul de aspirare pentru gunoi pentru a evacua apa vertical. Aceasta pentru a evita stropirea cu apă murdară a operatorului.

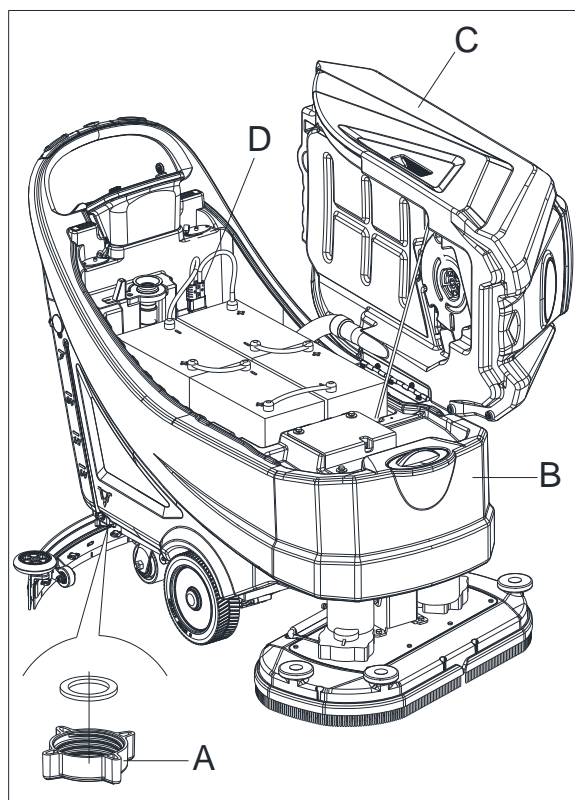
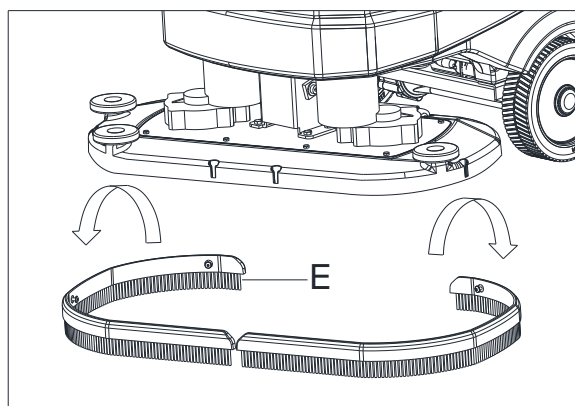
**Figura 17****Golirea rezervorului de soluție/apă curată**

1. Goliți rezervorul de soluție prin capacul de evacuare (A, Figura 18). După executarea lucrării, clătiți rezervorul cu apă curată.

DUPĂ UTILIZAREA MAȘINII

După executarea lucrării, înainte de a depozita mașina:

1. Îndepărtați periile/suporturile de lavetă prin apăsarea butonului de eliberare (44, Figura 3) și curățați-le (numai pentru mașina cu disc).
2. Îndepărtați garda anti-stropire (E, Figura 19) și curățați-o. (numai pentru mașina cu disc)
3. Îndepărtați laveta și curățați-o. (numai pentru mașina orbitală)
4. Goliți rezervoarele (B și C, Figura 18) cum s-a arătat în paragraful anterior.
5. Executați operațiile de întreținere zilnică (a se vedea capitolul Întreținere).
6. Depozitați mașina într-un loc curat și uscat, cu periile/suporturile de lavetă și racleta ridicate sau îndepărtate.

**Figura 18****Figura 19**

DEPOZITAREA MAȘINII ÎN TIMPUL INACTIVITĂȚII PRELUNGITE

Dacă mașina nu se va folosi o perioadă mai mare de 30 de zile, procedați după cum urmează:

1. Executați procedurile din paragraful „După utilizarea mașinii”.
2. Deconectați conectorul bateriei (29, Figura 2).

PRIMA PERIOADĂ DE UTILIZARE

După primele 8 ore, verificați elementele de prindere ale mașinii și racordurile care trebuie să fie bine strânse, și verificați ca părțile vizibile să nu prezinte urme de uzură sau scurgere.

ÎNTREȚINERE**AVERTIZARE!**

Procedurile de mentenanță trebuie executate după ce mașina a fost oprită și cablul de încărcare a fost deconectat. În plus, citiți cu atenție capitolele dedicate protecției muncii, din manual.

Toate procedurile de mentenanță programate sau extraordinare, trebuie executate de personal calificat sau de un centru service autorizat. În acest manual se descriu doar procedurile generale și comune de întreținere.

Pentru alte proceduri de mentenanță care nu se află în tabelul cu operațiile programate de întreținere, consultați manualul de service ce poate fi consultat la oricare dintre centrele de service ale companiei noastre.

TABEL ÎNTREȚINERE PROGRAMATĂ**ATENȚIE!**

Procedura marcată cu (1) trebuie executată când mașina a fost utilizată timp de 8 ore pentru prima dată. Procedura marcată cu (2) trebuie executată de un centru de service autorizat de compania noastră.

Procedură	Zilnic, după fiecare utilizare	Săptămânal	bianual	anual
Încărcare baterie				
Curățare racletă				
Curățare suport perie/material textil				
Curățare rezervor				
Inspectare garnitură etanșare rezervor				
Curățare filtru sferic flotor				
Curățarea lavetei				
Curățarea gârzii anti-stropire (numai pentru mașina cu disc)				
Verificare și înlocuire lamă racletă				
Curățare filtru de apă de curățare				
Curățare filtru de apă uzată				
Verificare nivel de fluid baterie WET				
Inspectare înșurubare șuruburi și piulițe			(1)	
Izolator inferior (numai pentru mașina orbitală)			(2)	
Verificare sau înlocuire perie de carbon motor perie				(2)
Verificare sau înlocuire perie de carbon motor aspirare				(2)
Verificare sau înlocuire perie de carbon motor tractor				(2)

ВВЕДЕНИЕ**ВНИМАНИЕ!**

Некоторая общая и подробная информация о машине не входит в данное руководство. Пожалуйста, обратитесь к РУКОВОДСТВУ ПО НАЧАЛУ РАБОТЫ на прилагаемом компакт-диске, читаемом Adobe® Reader®.

**ПРИМЕЧАНИЕ**

Цифры в скобках относятся к компонентам, показанным в главе Описание машины.

ЦЕЛЬ РУКОВОДСТВА И СОДЕРЖАНИЕ

Цель данного руководства по началу работы состоит в предоставлении оператору всей основной информации по правильному использованию машины. Для получения информации о технических характеристиках, эксплуатации, бездействии машины, техническом обслуживании, запасных частях и условиях безопасности и т.д., пожалуйста, обратитесь к РУКОВОДСТВУ ПО НАЧАЛУ РАБОТЫ на прилагаемом компакт-диске.

Перед выполнением любой процедуры на машине операторы и квалифицированные специалисты должны прочитать руководство по началу работы. Обращайтесь в нашу компанию в случае сомнений, касающихся толкования инструкций или за любой дополнительной информацией.

КАК ХРАНИТЬ ДАННОЕ РУКОВОДСТВО ПО НАЧАЛУ РАБОТЫ

Руководство по началу работы должно храниться рядом с машиной, в пригодном ящике, подальше от жидкостей и других веществ, которые могут вызвать какие-либо повреждения.

ДЕКЛАРАЦИЯ СООТВЕТСТВИЯ

Декларация соответствия предоставляется вместе с машиной и удостоверяет соответствие машины с действующим законодательством.

**ПРИМЕЧАНИЕ**

Копии оригинала декларации соответствия предоставляются вместе с документацией машины.

АКСЕССУАРЫ И ОБСЛУЖИВАНИЕ

Все необходимые процедуры по эксплуатации, техническому обслуживанию и ремонту должны выполняться квалифицированным персоналом, или назначенным сервисным центром нашей компании. Следует использовать только разрешенные запчасти и аксессуары.

В случае необходимости получения обслуживания или покупки аксессуаров или запасных частей обращайтесь в центр по обслуживанию клиентов нашей компании.

ИЗМЕНЕНИЕ И УЛУЧШЕНИЕ

Мы стремимся к постоянному совершенствованию своей продукции, компания оставляет за собой право на изменения и улучшения машины без дополнительного информирования.

СФЕРА ПРИМЕНЕНИЯ

Оборудование подходит для коммерческого и промышленного использования. Он подходит для очистки гладкого и сплошного настила, выполняемой квалифицированным персоналом в безопасных обстоятельствах. Не подходит для использования на открытом воздухе или очистки ковров или грубой поверхности пола.

ИДЕНТИФИКАЦИОННЫЕ ДАННЫЕ МАШИНЫ

Серийный номер и название модели машины обозначены на серийной этикетке.

Эта информация полезна. Используйте следующую таблицу для того, чтобы записать идентификационные данные машины, когда потребуются запасные части для машины.

МОДЕЛЬ МАШИНЫ.....
СЕРИЙНЫЙ НОМЕР МАШИНЫ.....

ТРАНСПОРТИРОВКА И РАСПАКОВКА

Когда перевозчик доставляет машину, убедитесь, что упаковка и машина целые и без повреждений. Если есть какие-либо повреждения, укажите перевозчику на повреждения и, прежде чем принять товар, вы оставляете за собой право на компенсацию ущерба.

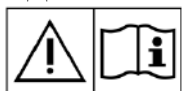
Следуйте инструкциям на упаковке строго при распаковке машины.

Проверьте упаковку на наличие следующих предметов:

1. Техническая документация руководство по началу работы
2. Список деталей (*).
3. Соединение батареи.
4. Руководство к электронному зарядному устройству батареи (при наличии) (*)

БЕЗОПАСНОСТЬ

Следующие символы обозначают потенциально опасные ситуации. Всегда внимательно читайте эту информацию и принимайте все необходимые меры предосторожности для защиты людей и имущества. **ВИЗУАЛЬНЫЕ СИМВОЛЫ НА МАШИНЕ.**

ВИДИМЫЕ СИМВОЛЫ НА МАШИНЕ**ПРЕДУПРЕЖДЕНИЕ!**

Перед выполнением любой операции на машине внимательно прочитайте все инструкции.

**ПРЕДУПРЕЖДЕНИЕ!**

Не мойте машину под прямой или напорной струей воды.

**ПРЕДУПРЕЖДЕНИЕ!**

Не используйте машину на склонах с уклоном, превышающим указанного уклона в спецификации.

СИМВОЛЫ, КОТОРЫЕ ПОЯВЛЯЮТСЯ В РУКОВОДСТВЕ ПО НАЧАЛУ РАБОТЫ**ОПАСНОСТЬ!**

Это указывает на опасную ситуацию с риском смерти для оператора.

**ПРЕДУПРЕЖДЕНИЕ!**

Это указывает на потенциальную опасность получения травмы для людей.

**ВНИМАНИЕ!**

Это указывает на предостережение или замечание, связанное с важными или полезными функциями. Обратите внимание на пункты, обозначенные этим символом.

**ПРИМЕЧАНИЕ**

Это указывает на замечание, связанное с важными или полезными функциями.

**КОНСУЛЬТАЦИЯ**

Это указывает на необходимость обратиться к руководству по началу работы перед выполнением любой процедуры.

ОБЩИЕ ИНСТРУКЦИИ ПО БЕЗОПАСНОСТИ

Конкретные предупреждения и предостережения для сообщения о потенциальных повреждениях людям и машины показаны ниже.



ОПАСНОСТЬ!

- Данная машина должна эксплуатироваться обученным и уполномоченным персоналом в соответствии с указаниями настоящего руководства.
- Перед выполнением любой процедуры очистки, обслуживания, ремонта или замены, внимательно прочитайте все инструкции, убедитесь в том, что машина выключена и отсоедините разъем батареи.
- Не используйте машину вблизи токсичных, опасных, горючих и/или взрывоопасных порошков, жидкостей или паров. Эта машина не подходит для сбора опасных порошков.
- Не носите драгоценности во время работы рядом с электрическими компонентами.
- Не работайте с поднятой машиной без ее надежной фиксации на защитных подножках.
- При использовании свинцовых (ЖИДКИХ) батарей, они могут выделять горючий газ при нормальном использовании. Держите искрящиеся, воспламеняющиеся и излучающие материалы, а также предметы освещения и горения подальше от батарей.
- При зарядке свинцовых (ЖИДКИХ) батарей, они могут выделять водород, который может вызвать взрыв. Вы должны следить за тем, чтобы обеспечить хорошо проветриваемое зарядное помещение, вдали от источников открытого пламени.



ПРЕДУПРЕЖДЕНИЕ!

- Данная машина предназначена для **КОММЕРЧЕСКОГО ИСПОЛЬЗОВАНИЯ**, например, в гостиницах, школах, больницах, на заводах, в магазинах, офисах и арендуемых помещениях.
- Машины, оставленные без присмотра, необходимо защитить от случайного передвижения.
- Чтобы избежать несанкционированного использования машины, необходимо отключить или заблокировать источник питания: например, вынуть ключ из главного выключателя или ключ зажигания.
- Внимательно проверяйте машину перед каждым использованием. Убедитесь, что все компоненты правильно собраны перед использованием. Или это может нанести ущерб людям и имуществу.
- Перед использованием зарядного устройства, убедитесь, что значения частоты и напряжения, указанные на табличке с серийным номером машины, совпадают с параметрами сети.
- Никогда не перемещайте машину, взявшись за кабель зарядного устройства. Не пропускайте кабель через закрытую дверь и не наматывайте на острые края или углы. Не ставьте машину на кабель зарядного устройства. Держите кабель зарядного устройства подальше от нагретых поверхностей. Не заряжайте батареи, если кабель или вилка зарядного устройства повреждены.
- Для снижения риска возникновения пожара, поражения электрическим током или травмы, перед уходом убедитесь, что машина выключена.
- Используйте или храните машину в помещении в сухих условиях, не допускается использовать машину вне помещения.
- Температура работы и хранения машины должна быть в пределах от 0 °C до +40 °C, влажность воздуха должна быть в пределах 30% - 95%.
- Не используйте машину на склонах с уклоном, превышающим уклон, указанный в спецификации.
- При использовании и эксплуатации моющих средств для пола, следуйте инструкциям на этикетках моющих средств и надевайте защитные перчатки и защитные средства.
- Используйте щетки и пэды, поставляемые с машиной или указанные в руководстве. Использование других щеток или пэдов может снизить безопасность.
- В случае неисправности машины, убедитесь, что это происходит не из-за отсутствия технического обслуживания. При необходимости обратитесь за помощью к уполномоченному персоналу или в авторизованный сервисный центр.
- Примите все необходимые меры предосторожности, чтобы предотвратить попадание волос, драгоценностей и частей одежды в движущиеся части машины.
- Не используйте машину в сильно запыленных местах.

- Не мойте машину под прямой или напорной струей воды или с использованием агрессивных веществ.
- Не задевайте полки или стеллажи, особенно там, где существует риск падения предметов.
- Не прислоняйте емкости с жидкостью к машине, используйте соответствующие держатели.
- Чтобы избежать повреждения пола, не допускайте работу щетки/пэда, когда машина стоит на месте.
- В случае пожара, используйте сухой порошковый огнетушитель. Не используйте жидкие огнетушители.
- Не удаляйте и не изменяйте наклейки машины.
- Не портите руководство безопасности машины и тщательно следуйте инструкциям по техническому обслуживанию.
- Будьте внимательны во время транспортировки машины при температуре ниже точки замерзания. Вода в баке для грязной воды и в шлангах может замерзнуть и серьезно повредить машину.
- Если какие-либо запасные части необходимо заменить, закажите **ОРИГИНАЛЬНЫЕ** запасные части в офисе нашей компании или у уполномоченного дилера.
- Сообщите в сервисный центр, если машина не работает исправно, повреждена, находилась на открытом воздухе или упала в воду.
- Для обеспечения правильной и безопасной эксплуатации машины, плановое техническое обслуживание, указанное в соответствующей главе данного Руководства, должно выполняться уполномоченным персоналом или в авторизованном сервисном центре.
- Машина должна быть правильно ввиду наличия токсичных и опасных материалов (батарей и т.д.). Процедура утилизации должна проходить в соответствии со стандартами, требующими утилизации в специализированных центрах (см. главу Утилизация).
- Данная машина используется только в качестве поломоечной, а не для любого другого назначения.
- Всегда содержите шланги в чистоте, чтобы не было сопротивления потоку воздуха. Не используйте машину, если они забиты.
- Используйте машину только при надлежащем освещении.
- Данная машина не предназначена для использования лицами (в том числе детьми) с ограниченными физическими, сенсорными или умственными способностями, или с отсутствием опыта и знаний.
- При использовании машины рядом с детьми необходимо работать максимально внимательно.
- Дети должны быть под присмотром и не должны играть с машиной.
- При использовании данной машины будьте внимательны, чтобы не нанести вред людям или имуществу.
- Очистка и техническое обслуживание силами пользования не должны выполняться детьми без присмотра взрослых.

ОПИСАНИЕ МАШИНЫ

КОНСТРУКЦИЯ МАШИНЫ (как показано на Рисунке 1)

- | | |
|---|---|
| 1. Крышка бака грязной воды | 15. Шарнир |
| 2. Держатель | 16. Бак грязной воды |
| 3. Рукоятка | 17. Крышка фильтра |
| 4. Панель управления | 18. Держатель шланга залива |
| 5. Блок управления | 19. Опора фильтра |
| 6. Табличка с серийным номером/технические данные | 20. Прокладка крышки бака |
| 7. Крышка слива | 21. Блок сбора мусора |
| 8. Ручки скребка | 22. Поплавковый шарик фильтра |
| 9. Вакуумный шланг скребка | 23. Вентиль раствора/чистой воды |
| 10. Ручка регулирования баланса скребка | 24. Задние рулевые колеса |
| 11. Скребок | 25. Система щеток (только для дисковой машины) |
| 12. Фильтр раствора | 26. Ограждение от разбрызгивания |
| 13. Ведущие колеса | 27. Ручка регулирования орбитальной головки |
| 14. Бак раствора | 28. Орбитальная система (только для орбитальной машины) |

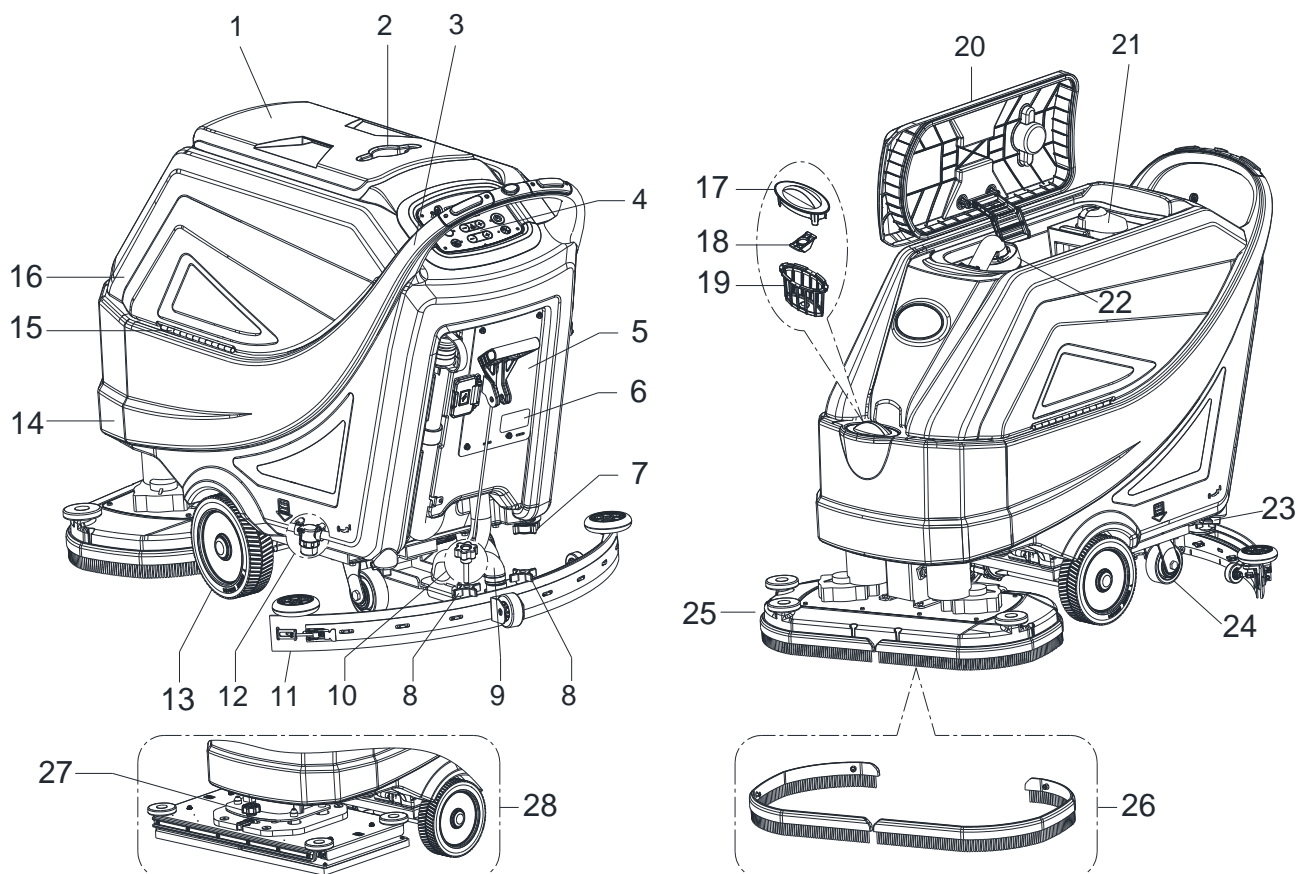


Рисунок 1

СТРУКТУРА МАШИНЫ (как показано на Рис. 2)

- | | |
|-----------------------------------|--|
| 29. Соединитель батареи (красный) | 36. Переключатель заднего хода машины |
| 30. Батареи (*) | 37. Дренажный шланг бака грязной воды |
| 31. Колпачки батареи | 38. Защитная крышка разъема зарядки |
| 32. Трубка индикатора уровня воды | 39. Рукоятка поднятия/опускания скребка |
| 33. Предохранительный кабель бака | 40. Боковая заливная горловина бака раствора |
| 34. Вакуумная система | 41. Встроенное зарядное устройство (*) |
| 35. Переключатель безопасности | (*): Опционально |

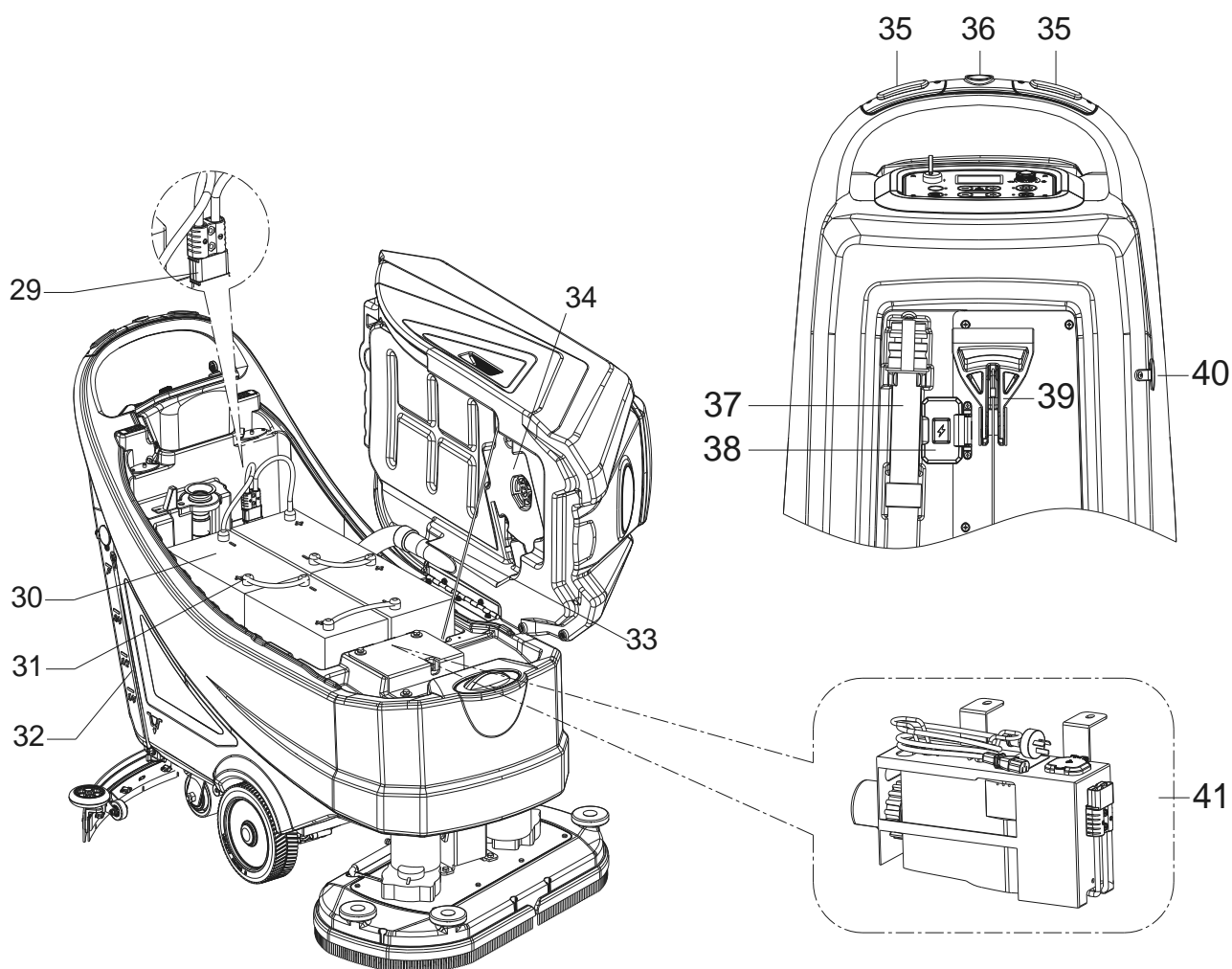


Рис. 2

ПАНЕЛЬ УПРАВЛЕНИЯ (как показано на Рисунке 3)

41. Многофункциональный дисплей
 - Отображаемые элементы:
 - A) Тип батареи
 - B) Уровень заряда батареи
 - C) Часы работы
 - D) Режим ECO
 - E) Нормальный режим вакуумной системы
 - F) Бесшумный режим вакуумной системы
 - G) Режим заднего хода
 - H) Активирован режим дополнительного давления
 - I) Расход потока мощющего раствора
 - J) Режим работы щетки
 - K) Режим вакуумной системы
 - L) Режим подготовки пола
42. Ключ зажигания (0 - I)
43. Кнопка режима ECO
 - Светодиод вкл. – указанная ниже функция активирована
 - минимальный поток воды (уровень 1)
 - минимальное давление (уровень 1)
 - Вакуумная система находится в бесшумном режиме
44. Кнопка разблокировки щетки/пэда (только для дисковых машин)
 - Светодиод мигает – Активирована система разъединения
45. Кнопка подготовки пола (только для орбитальной машины)
 - Предварительно установлена скорость перемещения 1 км/ч
 - Светодиод вкл. – указанная ниже функция активирована
 - минимальный поток воды (уровень 1)
 - максимальное давление (уровень 3)
 - Вакуумная система находится в нормальном режиме
46. Кнопка регулировки давления щетки
47. Кнопка регулировки объема раствора
48. Регулятор скорости
49. Кнопка быстрого запуска
 - Светодиод вкл. – указанная ниже функция активирована
 - минимальный уровень водяной системы (уровень 1)
 - минимальное давление (уровень 1)
 - вакуумная система находится в нормальном режиме
50. Кнопка регулировки вакуумной системы (удерживайте кнопку в течение 1 секунды для активации)
 - Светодиод вкл. – нормальный режим
 - Светодиод мигает – Бесшумный режим

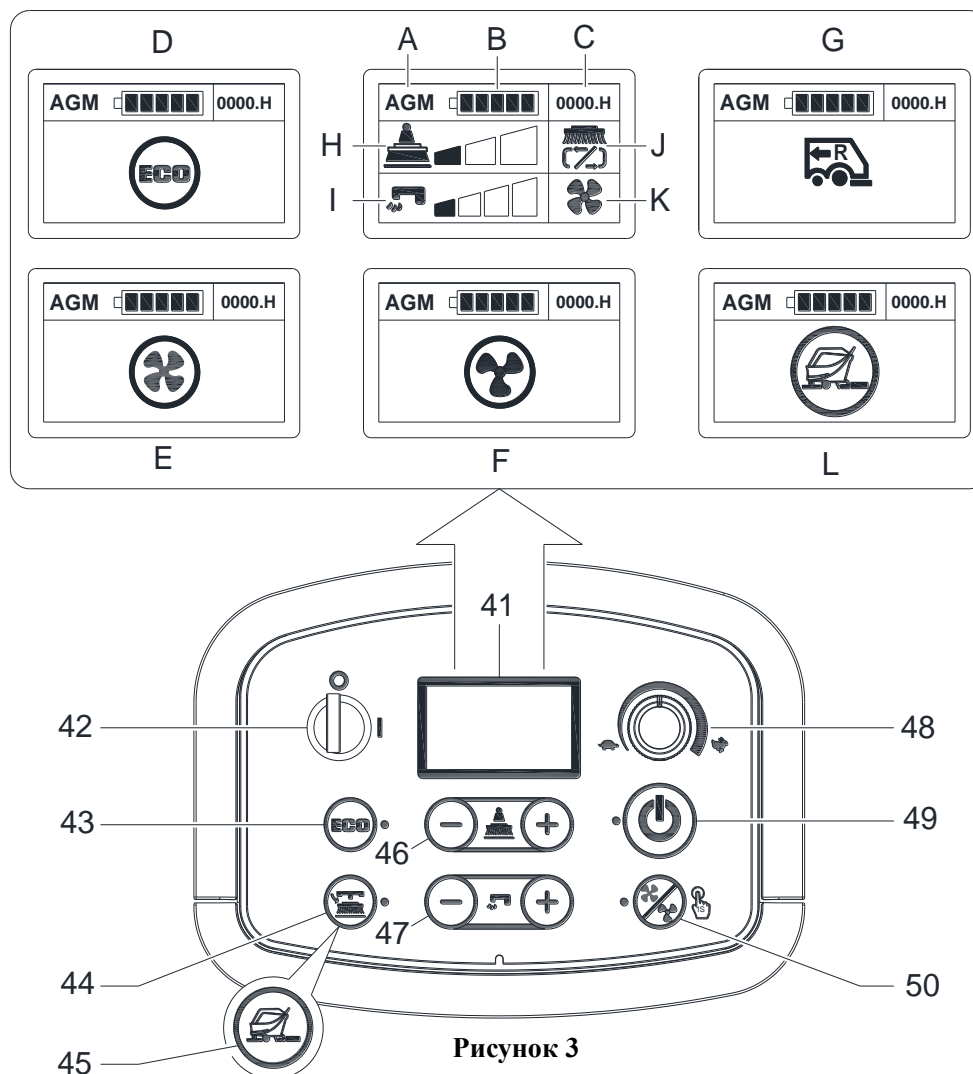


Рисунок 3

ТЕХНИЧЕСКИЕ ПАРАМЕТРЫ

Тип параметра	Единица	Модель		
		AS6690T	AS7690T	AS7190TO
Емкость бака раствора	л / галлон	85 л / 22 галлона		
Емкость бака грязной воды	л / галлон	90 л / 24 галлона		
Длина машины	мм/дюймов	1490 мм/ 59 дюйма	1550мм/ 61 дюйма	1490 мм/ 59 дюйма
Ширина машины со скребком	мм/дюймов	830 мм / 33 дюйма	950 мм / 38 дюйма	
Ширина машины без скребка	мм/дюймов	730 мм/29 дюйм	830мм/33 дюйм	750мм/30 дюйм
Высота машины	мм/дюймов	1020 мм/40,2 дюйма		
Рабочая ширина	мм/дюймов	660 мм/26 дюйма	760 мм/30 дюйма	710 мм/28 дюйма
Диаметр ведущего колеса	мм/дюймов	230 мм/9 дюйма		
Удельное давление ведущего колеса на пол	Н/мм ²	0,67 Н/мм ²		
Диаметр заднего колеса	мм/дюймов	101 мм/4 дюйма		
Удельное давление заднего колеса на пол	Н/мм ²	0,82 Н/мм ²		
Диаметр щетки/подкладки	мм/дюймов	330 мм x 2 / 13 дюймов x 2	380мм x 2 / 15 дюймов x 2	355x710 мм / 14x28 дюймов
Давление щетки/подкладки (макс.)	кг/фунтов	32 кг /71 фунт 41 кг /90 фунтов 49 кг /108 фунтов	35 кг /77 фунтов 43 кг /95 фунтов 51 кг /112 фунтов	42 кг / 93 фунта 54 кг /120 фунтов 65 кг /143 фунтов
Поток раствора (макс.) в соответствии с настройкой	л / галлон в минуту	(0,9/1,5/2,2/3) литра (0,24/0,39/0,58/0,79) галлона		(0,6/1,1/1,9/2,5) литра (0,16/0,29/0,5/0,66) галлона
Уровень звукового давления	дБ(А)	69 ± 3 дБ(А)		
Уровень звукового давления в режиме ЕСО или в бесшумном режиме	дБ(А)	65 ± 3 дБ(А)		
Уровень вибрации рукоятки (макс.)	м/с ²	< 2,5 м/с ²		
Способность к преодолению уклона (макс.)	% уклона	2%		
Минимальная ширина для разворота	см/дюймов	155 см/61 дюйм	165 см/65 дюйм	160 см/63 дюйм
Мощность приводного двигателя	Вт / л.с.	250 Вт / 0,33 л.с.		350 Вт / 0,47 л.с.
Рабочая скорость	км / миль в час	0 - 4,0 км / 0 - 2,5 мили в час		0 - 3, 2 км / 0 - 2,0 мили в час
Скорость движения вперед	км / миль в час	0 - 4,0 км / 0 - 2,5 мили в час		
Скорость движения задним ходом	км / миль в час	0 - 2,0 км / 0 - 1,25 мили в час		
Мощность вакуумного двигателя	Вт / л.с.	500 Вт / 0,66 л.с.		
Мощность вакуума	мм/дюймов Н ₂ O	1500 мм / 60 дюймов Н ₂ O		
Мощность вакуума в режиме ЕСО или в бесшумном режиме	мм/дюймов Н ₂ O	900 мм / 35 дюймов Н ₂ O		
Мощность двигателя щетки	Вт / л.с.	500 x 2 Вт / 0,66 x 2 л.с.		750 Вт / 1,0 л.с.
Скорость щетки в нормальном режиме	об/мин	200 об/мин		2200 об/мин
Скорость щетки в режиме ЕСО	об/мин	160 об/мин		1600 об/мин
Класс защиты IP	IP	IP24		
Размер отсека для батарей с внешним зарядным устройством (Д x Ш x В)	мм/дюймов	(620 x 385 x 390) мм / 24,4 x 15,1 x 15,3 дюйма		
Размер отсека для батарей с встроенным зарядным устройством (Д x Ш x В) (*)	мм/дюймов	(535 x 385 x 390) мм / 21 x 15,1 x 15,3 дюйма		
Напряжение В	пост. тока	24 В		
Батареи (*)	А/ч	Отсутствует		
Продолжительность работы батареи (стандартные батареи) (*)	Часы	До 4 часов		
Встроенное зарядное устройство (*)	В/А	24 В 25 А		
Производительность (макс.)	м ² /ч	2640 м ² /ч	3040 м ² /ч	2272 м ² /ч
Вес машины с пустыми баками (без батарей)	кг/фунтов	135 кг / 298 фунтов	138 кг / 304 фунта	148 кг / 326 фунтов
Максимальный общий вес (МОВ)	кг/фунтов	347 кг / 765 фунтов	350 кг / 772 фунтов	360 кг / 794 фунтов
Вес при отправке	кг/фунтов	202 кг / 444 фунтов	205 кг / 451 фунтов	215 кг / 473 фунтов
Размеры упаковки (Д x Ш x В)	мм/дюймов	(1620 x 810 x 1200 мм) / (64 x 32 x 48 дюймов)	(1660 x 910 x 1200 мм) / (66 x 36 x 48 дюймов)	

(*) : Опционально

РУКОВОДСТВО ПО ЭКСПЛУАТАЦИИ



ПРЕДУПРЕЖДЕНИЕ!

На некоторых частях машины наклеены таблички, означающие:

- ОПАСНОСТЬ!
- ПРЕДУПРЕЖДЕНИЕ!
- ВНИМАНИЕ!
- КОНСУЛЬТАЦИЯ

При чтении данного руководства, оператор должен обратить особое внимание на символы, указанные на табличках. Не закрывайте данные таблички по какой-либо причине и немедленно замените их в случае повреждения.

ПРОВЕРКА/УСТАНОВКА БАТАРЕЙ НА НОВОЙ МАШИНЕ



ПРЕДУПРЕЖДЕНИЕ!

Электрические компоненты машины могут быть серьезно повреждены, если батареи неправильно установлены или подключены. Батареи должны устанавливаться только квалифицированным персоналом. Установите функциональную электронную доску и встроенный аккумулятор зарядное устройство в зависимости от типа используемых батарей (ЖИДКИЕ или ГЕЛЕВЫЕ/AGM батареи). Проверьте батареи на наличие повреждений перед установкой. Отсоедините разъем батареи и штеккер зарядного устройства. Обращайтесь с батареями с большой осторожностью. Установите защитные колпачки клемм батареи, поставляемые вместе с машиной.

На машине уже установлены батареи

1. Убедитесь, что соединитель батареи (29, Рис. 2) подключен.
2. При первом использовании машины с новыми батареями выполните полный цикл зарядки (см. процедуру в главе

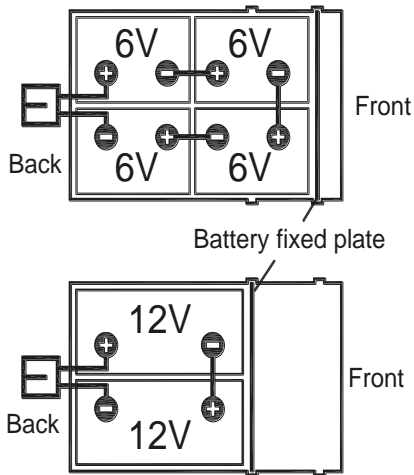


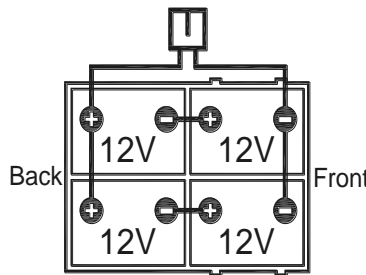
Рис. 4



ПРИМЕЧАНИЕ

Машине необходимы две 12 В батареи или четыре 6 В батареи, подключенные в соответствии со схемой (Рис. 4).

Правильно разместите установочную пластину батареи (Рис. 4).



«Техническое обслуживание»).

Батареи отсутствуют

1. Приобретите подходящие батареи (см. раздел «Технические данные»). Для выбора батареи и установки обратитесь к квалифицированным дистрибьюторам батарей.
2. Настройте машину в соответствии с типом установленных батарей, как показано в разделе «Ключ суперпользователя» главы «Техническое обслуживание».

УСТАНОВКА БАТАРЕИ И ТИПОВАЯ НАСТРОЙКА БАТАРЕИ (WET OR GEL/AGM OR DIS OR ENES)

Установка батарей

1. Откройте крышку бака грязной воды (1, Рис. 1) и убедитесь, что бак грязной воды (16) пуст; в противном случае слейте из него воду при помощи сливного шланга. (37, Рис. 2)
2. Закройте крышку бака грязной воды (1, Рис. 1).
3. Аккуратно поднимите бак (16, Рис. 1).
4. Машина оснащена кабелями, подходящими для установки двух 12 В батарей или четырех 6 В батарей. Аккуратно вставьте батареи в отсек, затем правильно установите их. Правильно разместите установочную пластину батареи (Рис. 4).
5. Направьте и установите кабель батарей, как показано на (Рисунке 4), затем аккуратно зафиксируйте гайку на каждом выводе батарей.
6. На каждый вывод поместите защитный колпачок, затем подсоедините соединитель батарей (29, Рис. 2).
7. Аккуратно опустите бак грязной воды (16, Рис. 1).

Настройка типа батареи (WET OR GEL/AGM OR DIS OR ENES)

Доступ к выбору режима батарей

Настройте машину следующим образом в соответствии с типом батареи (ЖИДКИЕ или ГЕЛЕВЫЕ/AGM):

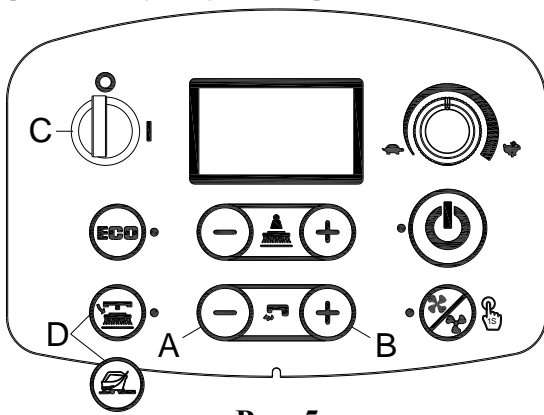


Рис. 5

Access to select battery mode

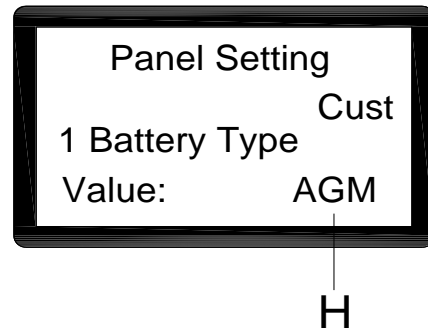


Рис. 6

1. Нажмите кнопки потока воды «+» (А, Рис. 5) и «-» (В, Рис. 5) одновременно.
2. Вставьте ключ зажигания (С, Рис. 5) и поверните его в положение «I».
3. Через несколько секунд экран перейдет в режим выбора батареи (Рис. 6)
4. Нажмите кнопки потока воды «-» (А, Рис. 5) и «+» (В, Рис. 5) для выбора режима батарей (Н, Рис. 6)
5. Нажмите кнопку отпускания для версии диска или кнопку подготовки поля для орбитальной версии (D, рис. 5), Через 3 секунды отобразится сообщение «Update OK» (Обновление выполнено), что означает, что настройка установлена успешно. Включите машину для повторного запуска. (С, Рис. 5)

Настройка зарядного устройства (только если установлено встроенное зарядное устройство)



ПРЕДУПРЕЖДЕНИЕ!

Не настраивайте зарядное устройство без надлежащей профессиональной подготовки

1. Выключите машину и отсоедините встроенное зарядное устройство (А, Рис. 7) от машины. Затем вскройте этикетку на крышке зарядного устройства (В, Рис. 7), и вы увидите в зарядном устройстве 2 комплекта переключателей DIP (SW1 и SW2).
2. Только комплект переключателей DIP SW1 (расположенный с левой стороны) влияет на выбор кривой зарядки в соответствии с таблицей ниже.

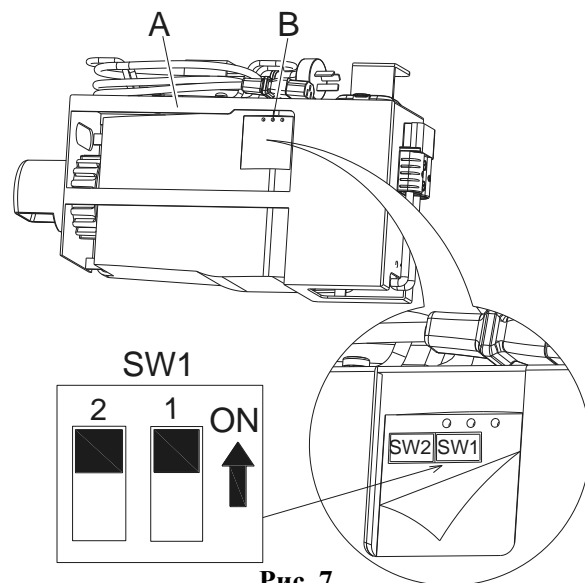


Рис. 7

DP1	DP2	КРИВАЯ ЗАРЯДКИ
ВКЛ.	ВЫКЛ.	IUIa-ACD для свинцово-кислотных (жидких) батарей
ВЫКЛ.	ВЫКЛ.	IUIa-GEL для гелевых батарей Exide-Sonnenschein
ВЫКЛ.	ВКЛ.	IUU0-GEL для гелевых батарей HAZE или батарей AGM других производителей
ВКЛ.	ВКЛ.	IUIUa-AGM для батарей AGM Discover

Зарядка батарей

Полностью зарядите батареи (см. процедуру в главе «Техническое обслуживание»).

Разрядка батарей

Если отображается полный заряд батарей (G, Рис. 8), батареи обеспечивают исправную работу машины. Если отображается низкий уровень заряда батарей (H, Рис. 8), необходимо зарядить батареи. Через несколько секунд после отображения низкого уровня заряда батареи щетка/штатив подкладки автоматически отключается, а приводная система продолжает работать. Незамедлительно переместите машину в определенное место зарядки.

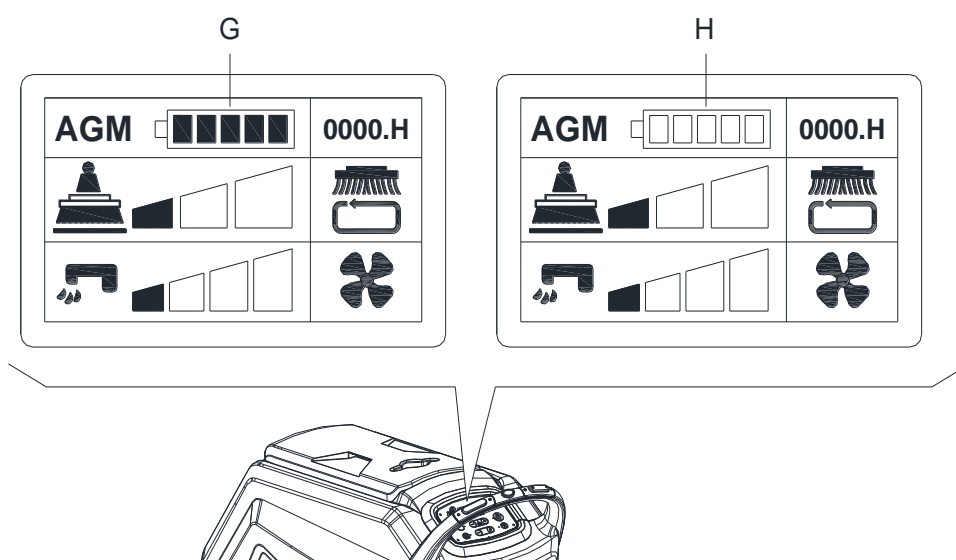


Рис. 8



ВНИМАНИЕ!

Если батареи разряжены, как можно скорее зарядите их, поскольку такое состояние сокращает срок службы батарей. Проверяйте заряд батарей не реже одного раза в неделю.

УСТАНОВКА И СНЯТИЕ ЩЕТКИ/ПЭДА (только для дисковых машин)



ПРИМЕЧАНИЕ

Установите щетку (А, Рис. 9) или подкладку (В и С, Рис. 9) в соответствии с типом пола для уборки.



ВНИМАНИЕ!

Перед установкой или снятием щетки или пэда убедитесь, что все переключатели на машине находятся в выключенном положении и всасывающий скребок поднят с пола. Оператор должен быть оснащен подходящими средствами индивидуальной защиты, такими как перчатки, чтобы уменьшить риск несчастных случаев.

Выполните следующие действия:

УСТАНОВКА:

1. Вставьте ключ зажигания (42, Рис. 3) и поверните его в положение «I». Поднимите деку. Выключите машину: для этого извлеките ключ зажигания (42).
2. Переведите регулятор скорости (48) в положение холостого хода, повернув его против часовой стрелки.
3. Разместите щетки (А, Рис. 9) или пэд (В) под декой.
4. Вручную поверните щетку/держатель пэда в противоположную сторону в нормальное положение вращения, после чего их можно будет установить. (как показано на Рисунке 9)

СНЯТИЕ:

1. Вставьте ключ зажигания (42, Рис. 3) и поверните его в положение «I». Для щетки/держателя пэда поднимите деку, нажав на кнопку разблокировки щетки/пэда (44), после чего щетка/пэд подкладки будут автоматически разблокированы.

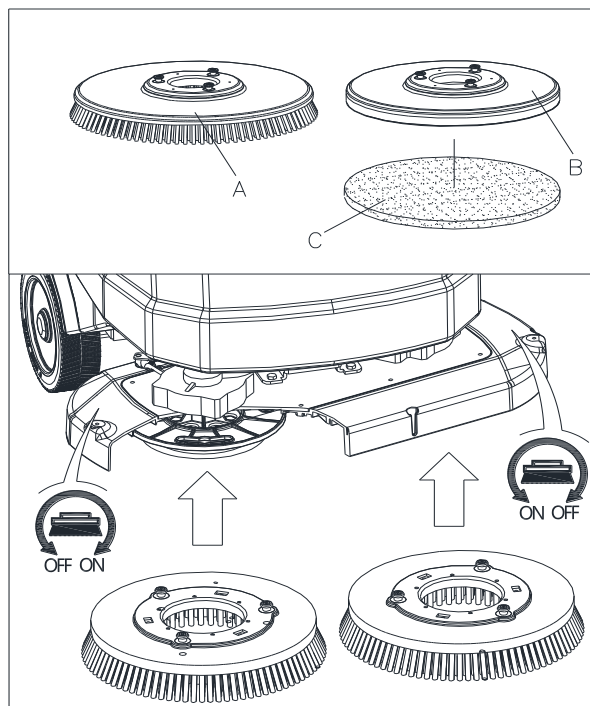


Рис. 9

УСТАНОВКА И СНЯТИЕ ПЭДА (только для орбитальной машины)

1. Вставьте ключ зажигания (42, Рис. 3) и поверните его в положение «I». Поднимите деку. Выключите машину: для этого извлеките ключ зажигания.
2. Вручную установите или отсоедините пэд, как показано на (Рисунке 10)

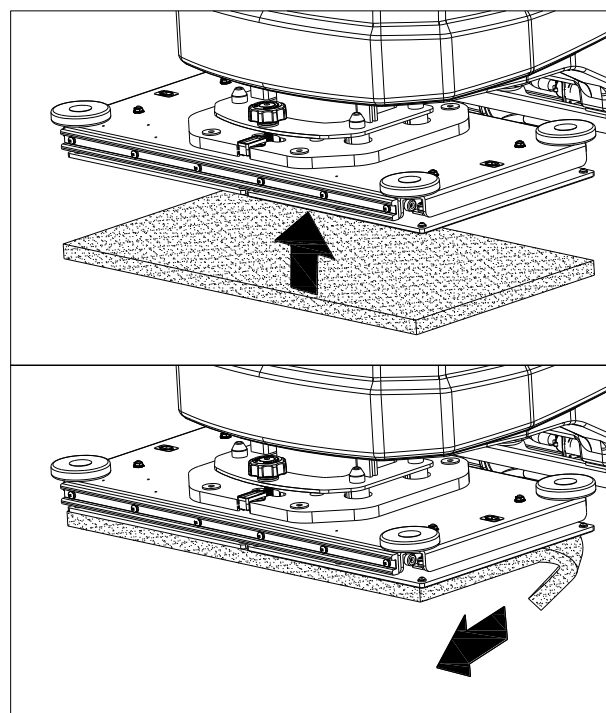


Рис. 10

РЕГУЛИРОВКА БАЛАНСА СКРЕБКА

1. Установите скребок и затяните гайки (H, Рис. 11), а затем подключите вакуумный шланг (G) к скребку.
2. Отрегулируйте скребок при помощи регулировочной ручки скребка (A, Рис. 11).
 - a) При наличии зазора между землей и средней частью заднего лезвия скребка (B), отрегулируйте ручку (A) в направлении против часовой стрелки (F), пока все секции заднего лезвия скребка не будут хорошо соприкасаться с землей, а переднее лезвие не будет слегка касаться земли.
 - b) Если есть разрыв между землей и обеими концевыми секциями заднего лезвия (C и D), отрегулируйте ручку (A) в направлении по часовой стрелке (E), пока все секции заднего лезвия не будут хорошо соприкасаться с землей, а переднее лезвие не будет слегка касаться земли.

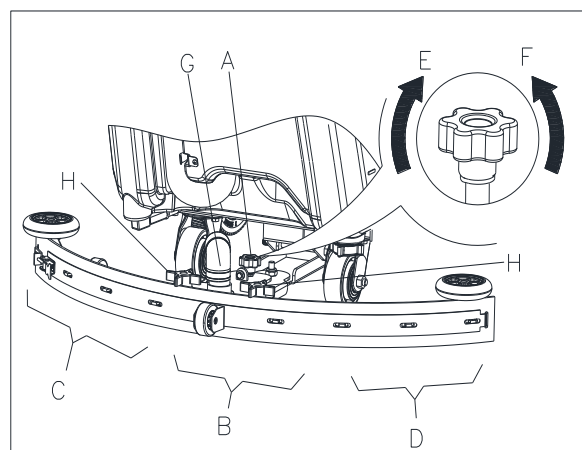


Рис. 11

НАПОЛНЕНИЕ БАКА РАСТВОРА

1. Откройте крышку заливного отверстия для воды (B, Рис. 12).
2. Залейте воду или раствор, подходящий для выполнения работы, через заливное отверстие для воды через фильтр. Температура раствора не должна превышать +104F (+40°C).
3. Не переполняйте бак, следите за индикатором уровня воды (H).



ПРЕДУПРЕЖДЕНИЕ!

Используйте только малопенящиеся и невоспламеняющиеся моющие средства, предназначенные для автоматических поломоечных машин.

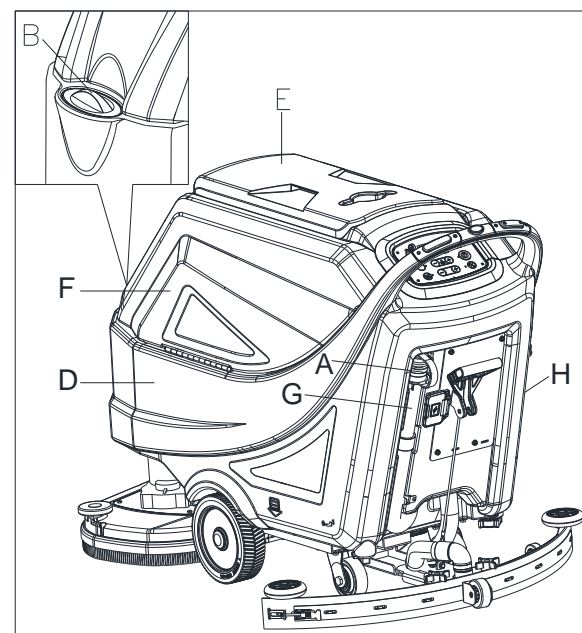


Рис. 12

ЗАПУСК И ОСТАНОВКА МАШИНЫ

Запуск машины

1. Подготовьте машину, как показано в предыдущем пункте.
2. Вставьте ключ зажигания (A, Рис. 13) и поверните его в положение «I». Проверьте состояние батарей на экране дисплея. При необходимости зарядите батареи (см. процедуру в главе «Техническое обслуживание»).
3. Отвезите машину на рабочую территорию:
 - Нажмите любой из переключателей безопасности (F) для движения вперед или нажмите переключатель безопасности (F) вместе с переключателем заднего хода (G) для движения назад. Передняя скорость может регулироваться при помощи регулировки (H).
4. Опустите скребок (I) при помощи Рукоятки поднятия/опускания скребка (J).
5. Опустите щеточную деку (K), нажав на кнопку быстрого запуска (L)
6. Нажмите на контрольные кнопки подачи раствора (O) как это необходимо, в зависимости от типа уборки.
7. Начните уборку:
 - Нажмите любой из переключателей безопасности (F) для активации приводной системы машины. При необходимости передняя скорость может регулироваться при помощи регулировки (H).



ПРИМЕЧАНИЕ

Для движения машины вперед, нажмите левый или правый переключатель безопасности (F, Рис. 13) или оба.

Остановка машины

8. Остановите машину, отпустив переключатели безопасности (F, Рис. 13)
9. Щетка останавливается. Вакуумная система остановится через несколько секунд.
10. Поднимите щеточную деку (K), нажав на кнопку быстрого запуска (L).
11. Поднимите скребок (I) при помощи Рукоятки поднятия/опускания скребка (J).
12. Поверните ключ зажигания (A) в положение «0».
13. Убедитесь, что машина не может двигаться самостоятельно.

РАБОТА МАШИНЫ (ЧИСТКА И СУШКА)

1. Запустите машину, как показано в предыдущих пунктах.
2. Удерживая любой переключатель безопасности (35, Рис. 2), маневрируйте машиной и начните чистку скребком/сушку пола.
3. При необходимости остановите машину и отрегулируйте скребок в соответствии с разделом «Регулировка баланса скребка».

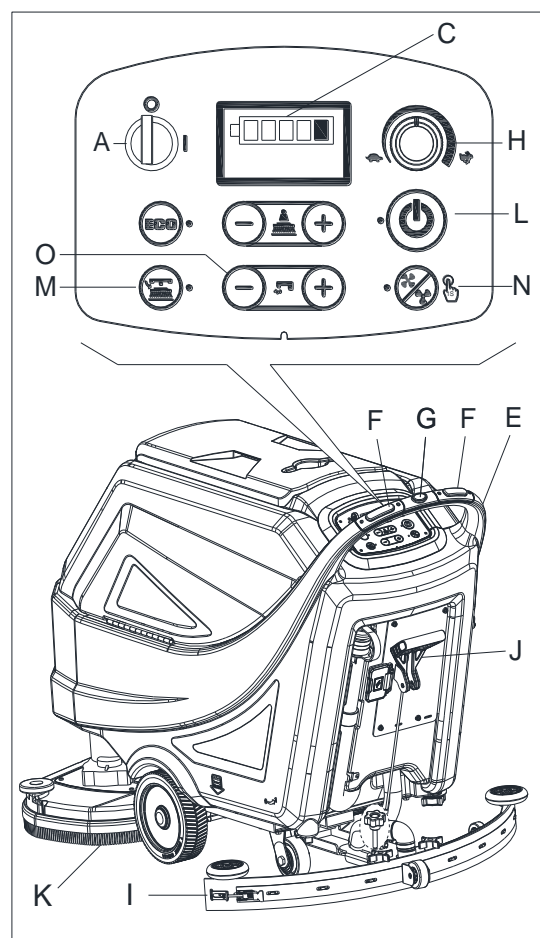


Рис. 13

РЕГУЛИРОВКА УРОВНЯ ОРБИТАЛЬНОЙ ДЕКИ (ТОЛЬКО ДЛЯ ОРБИТАЛЬНОЙ МАШИНЫ)

1. Вставьте ключ зажигания (42) и поверните его в положение «I». Опустите щеточную деку (25), нажав на кнопку быстрого запуска (49)
2. Отрегулируйте уровень деку при помощи регулирующей рукоятки (A, Рис. 14) таким образом, чтобы пузырек находился в середине (B, Рис. 14).

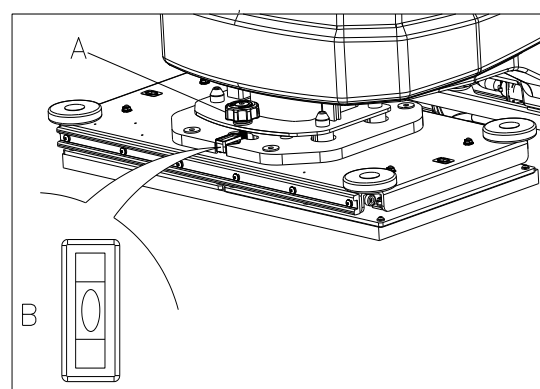


Рис. 14

**ПРИМЕЧАНИЕ**

Для правильной чистки скребком/сушки пола со стороны стен рекомендуется располагать машину правой стороной к стене (А и В, Рис. 15), как показано на рисунке.

**ВНИМАНИЕ!**

Во избежание повреждений поверхности пола, выключайте щетки/пэды, когда машина останавливается на одном месте, особенно когда включена функция дополнительного давления.

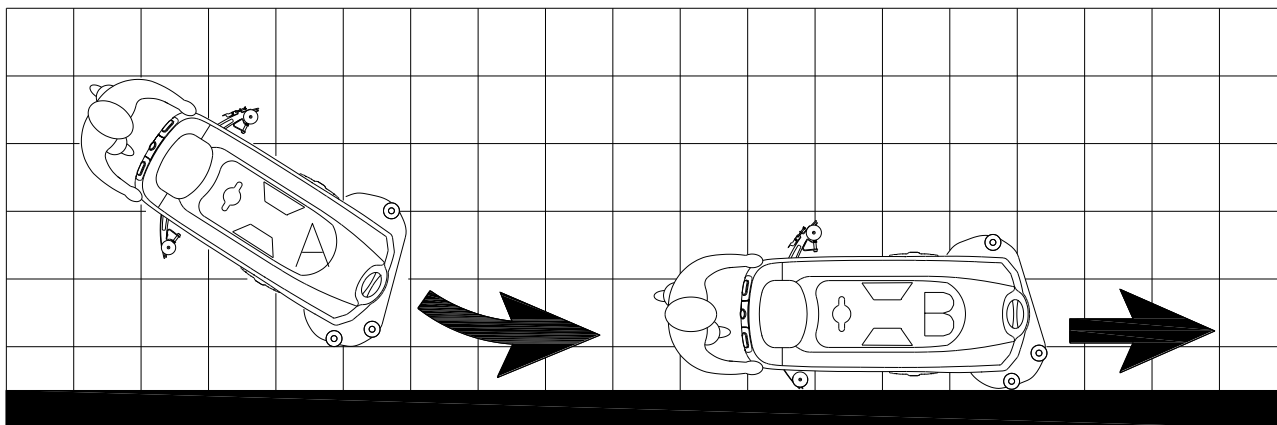


Рис. 15

СЛИВ БАКА

Автоматическая поплавковая система выключения (А, Рис. 16) блокирует вакуумную систему, когда бак грязной воды (В) полон. Дезактивизация вакуумной системы сигнализируется внезапным увеличением частоты шума двигателя вакуумной системы, а также не происходит сушка пола.

**ВНИМАНИЕ!**

Если вакуумная система выключилась случайно (например, когда поплавок блокирует из-за внезапного движения машины), для возобновления работы: выключите вакуумную турбину, нажав на переключатель (50, Рис. 3), затем откройте крышку (С, Рис. 16) и проверьте, что поплавок внутри решетки (А) опустился ниже уровня воды. Затем закройте крышку (С) и включите вакуумную систему, нажав на переключатель (50, Рис. 3).

Если бак грязной воды (В, Рис. 16) заполнен, слейте из него воду в соответствии со следующей процедурой.

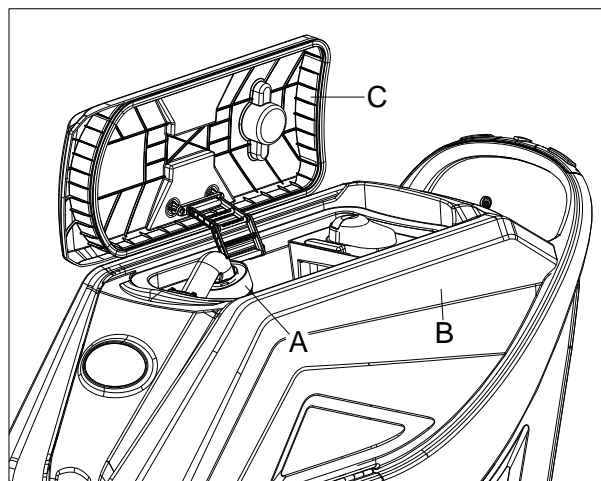


Рис. 16

Слив воды из бака грязной воды

1. Остановите машину.
2. Поднимите щеточную деку (25, Рис. 1), нажав на кнопку быстрого запуска (49, Рис. 3), или перезапустите машину при помощи ключа зажигания (42, Рис. 3).
3. Поднимите скребок (11, Рис. 1) при помощи рукоятки поднятия/опускания скребка (39, Рис. 2).
4. Переместите машину в определенное место утилизации.
5. Слейте воду из бака грязной воды при помощи шланга (А, Рис. 17). Затем промойте бак (В, Рис. 16) чистой водой.



ВНИМАНИЕ!

При сливе грязной воды, вакуумная трубка для грязной воды должна быть пережата (А, Рис. 17) и опущена в нижнее положение (В, Рис. 17), затем откройте крышку вакуумной трубки для грязной воды и слейте воду. Не направляйте выходное отверстие вакуумной трубки для отходов вверх, чтобы сливать воду вертикально. Это позволит избежать попадание отработанной воды на оператора.

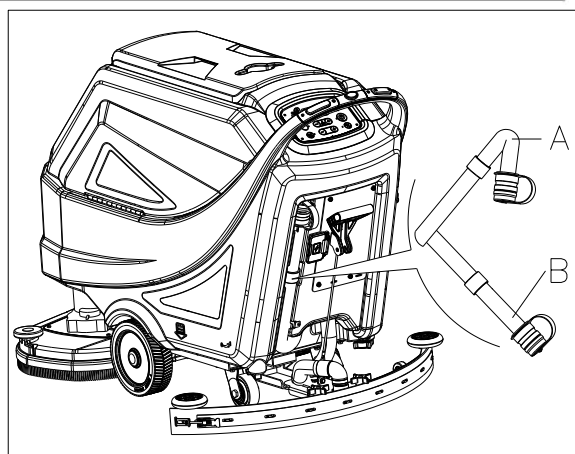


Рис. 17

Слив бака раствора/чистой воды

1. Слейте воду из бака раствора через крышку слива (А, Рис. 18). После эксплуатации промойте бак чистой водой.

ПОСЛЕ ИСПОЛЬЗОВАНИЯ МАШИНЫ

После эксплуатации, перед оставлением машины:

1. Снимите щетки/пэды, нажав на кнопку разблокировки (44, Рис. 3), и очистите их (только для дисковой машины).
2. Снимите защиту от брызг (Е, Рис. 19) и очистите его. (только для дисковой машины)
3. Снимите пэд и очистите его. (только для орбитальной машины)
4. Слейте воду из бака (В и С, Рис. 18), как показано в предыдущем пункте.
5. Выполните ежедневные процедуры обслуживания (см. главу «Техническое обслуживание»).
6. Храните машину в чистом и сухом месте, с поднятыми или извлеченными щетками/штативами подкладки и скребками.

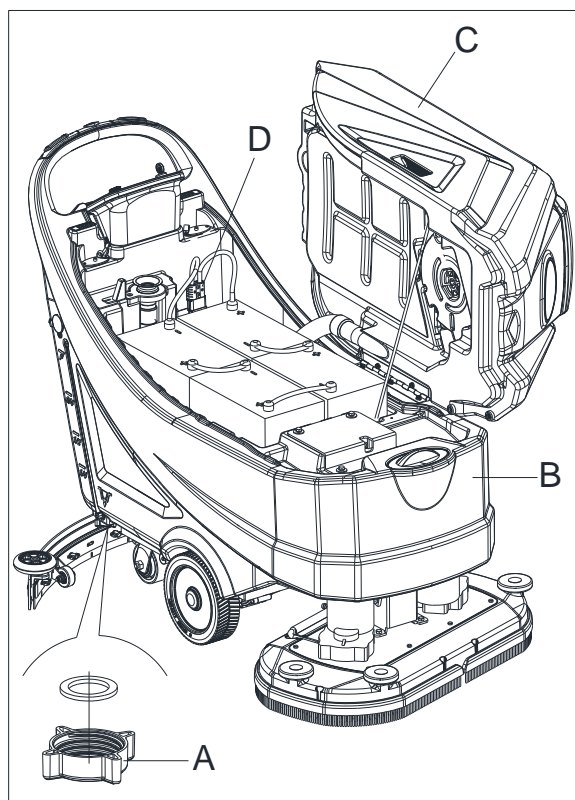


Рис. 18

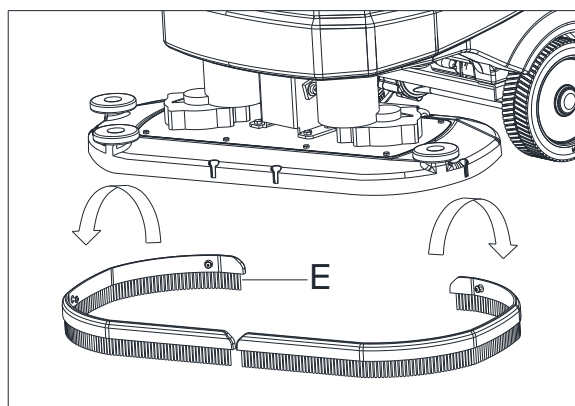


Рис. 19

ХРАНЕНИЕ МАШИНЫ В СЛУЧАЕ ПРОДОЛЖИТЕЛЬНОГО ПЕРЕРЫВА В ЭКСПЛУАТАЦИИ

Если машина не будет использоваться дольше, чем 30 дней, выполните следующее:

1. Выполните процедуры, указанные в пункте «После использования машины».
2. Отсоедините разъем батареи (29, Рис. 2).

ПЕРВЫЙ ПЕРИОД ИСПОЛЬЗОВАНИЯ

После первых 8 часов, проверьте крепежные и соединительные детали для надежной фиксации и проверьте видимые части на отсутствие износа и утечки.

ТЕХНИЧЕСКОЕ ОБСЛУЖИВАНИЕ



ПРЕДУПРЕЖДЕНИЕ!

ПРЕДУПРЕЖДЕНИЕ! Процедуры технического обслуживания должны выполняться после выключения машины и кабель зарядного устройства должен быть отсоединен. Кроме того, обязательно ознакомьтесь с главой по технике безопасности в данном руководстве.

Все запланированные или чрезвычайные процедуры технического обслуживания должны выполняться квалифицированным персоналом или авторизованным сервисным центром. Это руководство описывает только основные и общие процедуры обслуживания.

Для других процедур технического обслуживания, которые не входят в график технического обслуживания, пожалуйста, обратитесь к Руководству по эксплуатации, по которому могут быть проведены консультации в любом сервисном центре нашей компании.

ТАБЛИЦА ПЛАНОВОГО ТЕХНИЧЕСКОГО ОБСЛУЖИВАНИЯ



ВНИМАНИЕ!

Процедура, отмеченная (1) должна быть выполнена, когда машина используется после 8 часов в первый раз. Процедура с пометкой (2) должна быть сделана Сервисным центром, который квалифицирован нашей компанией.

Процедура	Ежедневно, после каждого использования	Еженедельно	Два раза в год	Раз в год
Зарядка батареи				
Очистка лезвий скребка				
Очистка щетки/пэда				
Очистка бака				
Осмотр уплотнения бака грязной воды				
Очистка поплавковой камеры				
Очистка пэда				
Очистка защиты от брызг (только для дисковых машин)				
Проверка и замена лезвий скребка				
Проверка фильтра чистой воды				
Проверка вакуумных шлангов				
Проверка уровня электролита (только на кислотных батареях)				
Осмотр герметичности винтов и гаек			(1)	
Нижний отделитель (только для орбитальной машины)			(2)	
Проверка или замена угольных щеток мотора щетки				(2)
Проверка или замена угольных щеток вакуумного мотора				(2)
Проверка или замена угольных щеток приводной системы				(2)

ÚVOD



UPOZORNENIE!

Niektoré všeobecné a podrobné informácie o zariadení nie sú obsiahnuté v tejto príručke. Pozrite si PRÍRUČKU SO STRUČNÝM NÁVODOM na dodanom disku CD-ROM, na ktorej prečítanie potrebujete Adobe® Reader®.



POZNÁMKA

Čísla v zátvorke sa vzťahujú na komponenty zobrazené v kapitole Popis zariadenia.

CIEĽ A OBSAH PRÍRUČKY

Účelom tejto príručky so stručným návodom je poskytnúť operátorovi všetky základné informácie na správne používanie stroja. A informácie o technických vlastnostiach, prevádzke, nečinnosti stroja, náhradných dieloch a bezpečnostných podmienkach atď. nájdete v PRÍRUČKE SO STRUČNÝM NÁVODOM na dodanom disku CD-ROM.

Pred akýmkoľvek postupom na stroji si musia operátori a kvalifikovaní technici prečítať príručku so stručným návodom. V prípade pochybností týkajúcich sa interpretácie pokynov alebo akýchkoľvek ďalších informácií sa obráťte na našu spoločnosť.

AKO UCHOVÁVAŤ TÚTO PRÍRUČKU SO STRUČNÝM NÁVODOM

Príručku so stručným návodom odkladajte v puzdre do blízkosti zariadenia, v dostatočnej vzdialenosti od kvapalín a iných látok, ktoré by mohli spôsobiť jej poškodenie.

VYHLÁSENIE O ZHODE

Vyhlásenie o zhode je dodávané spolu so zariadením, a certifikuje zhodu zariadenia s platnými právnymi predpismi.



POZNÁMKA

Kópie originálneho vyhlásenia o zhode sú dodávané spolu s dokumentáciou zariadenia.

PRÍSLUŠENSTVO A ÚDRŽBA

Akúkoľvek operáciu, údržbu alebo opravu smie vykonať len kvalifikovaný personál, alebo servisné centrum vymenované našou spoločnosťou. Smú sa používať LEN originálne alebo schválené súčiastky.

Kontaktujte službu zákazníkom našej spoločnosti, ak potrebujete kúpiť príslušenstvo alebo náhradné diely.

ZMENA A VYLEPŠENIE

Usilujeme sa o neustále zlepšovanie našich výrobkov, spoločnosť si vyhradzuje právo na zmeny a vylepšenia zariadenia bez predchádzajúceho upozornenia.

ROZSAH POUŽITIA

Podlahový čistič je určený na komerčné a priemyselné použitie. Je vhodný na čistenie hladkých a spevnených povrchov za použitia kvalifikovanou osobou v bezpečných podmienkach. Nie je vhodný na vonkajšie použitie, čalúnenie alebo drsné povrchy.

IDENTIFIKAČNÉ ÚDAJE ZARIADENIA

Sériové číslo a názov modelu zariadenia sú uvedené na sériovom štítku.

Táto informácia je užitočná. Z tabuľky nižšie si vypíšte identifikačné údaje zariadenia pre prípad objednávanie náhradných dielov.

MODEL ZARIADENIA.....
SÉRIOVÉ ČÍSLO ZARIADENIA.....

PRENÁŠANIE A ROZBALENIE

Po doručení zariadenia sa uistite, že je baliaci materiál neporušený a zariadenie nepoškodené. V prípade akejkoľvek škody informujte kuriéra a pred prevzatím tovaru si vyhradte právo na kompenzáciu za škodu.

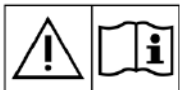
Pri rozbaľovaní zariadenia nasledujte pokyny na baliacom materiáli.

Skontrolujte, či balenie obsahuje nasledujúce položky:

1. Technické dokumentácie príručky so stručným návodom
2. Zoznam položiek (*).
3. Pripojenie batérie.
4. Príručka k nabíjačke elektronickej batérie (ak je nainštalovaná) (*)

BEZPEČNOSŤ

Nasledujúce symboly upozorňujú na potenciálne nebezpečné situácie. V záujme ochrany osôb a majetku si vždy pozorne prečítajte tieto informácie a vykonajte všetky potrebné opatrenia.

VIDITEĽNÉ SYMBOLY NA ZARIADENÍ**VAROVANIE!**

Pred vykonaním akejkoľvek operácie so zariadením si pozorne prečítajte všetky pokyny.

**VAROVANIE!**

Neumývajte zariadenie priamym alebo stlačeným prúdom vody.

**VAROVANIE!**

Nepoužívajte zariadenie na svahoch so sklonom vyšším, ako je hodnota uvedená v technických údajoch.

SYMBOLY, KTORÉ SA OBJAVUJÚ V PRÍRUČKE SO STRUČNÝM NÁVODOM**NEBEZPEČENSTVO!**

Upozorňuje na nebezpečnú situáciu s rizikom usmrtenia operátora.

**VAROVANIE!**

Upozorňuje na potenciálne riziko zranenia osôb.

**UPOZORNENIE!**

Označuje výstrahu alebo poznámku súvisiacu s dôležitými alebo užitočnými funkciami. Venujte zvýšenú pozornosť odstavcu s týmto symbolom.

**POZNÁMKA**

Poukazuje na poznámku týkajúcu sa dôležitých alebo užitočných funkcií.

**KONZULTÁCIA**

Znamená to, že pred vykonaním akéhokoľvek postupu je potrebné si prečítať príručku so stručným návodom.

VŠEOBECNÉ BEZPEČNOSTNÉ POKYNY

Špecifické varovania a výstrahy upozorňujúce na potenciálne zranenie osôb a poškodenie zariadenia.



NEBEZPEČENSTVO!

- Toto zariadenie musí prevádzkovať poučená a autorizovaná osoba podľa usmernení v príručke.
- Pred vykonaním akéhokoľvek čistenia, údržby, opravy alebo zmeny si pozorne prečítajte všetky pokyny, uistíte sa, že ste VYPLI zariadenie a odpojili ste batériu.
- Neprevádzkujte zariadenie v blízkosti toxických, nebezpečných, horľavých a/alebo výbušných práškov, kvapalín alebo výparov. Toto zariadenie nie je vhodné na zber nebezpečných práškov.
- Pri práci v blízkosti elektrických súčiastok nenoste ozdobné šperky.
- Nepracujte pod zdvihnutým zariadením bez jeho podopretia bezpečnostnými podperami.
- Pri používaní olovených (VLHKÝCH) batérií môžu tieto počas bežného používania vypúšťať horľavé plyny - iskry, plamene, dymiace materiály, ako aj zdroje žiarenia, svetla a ohňa udržiavajte v bezpečnej vzdialenosti od batérií.
- Pri nabíjaní olovených (VLHKÝCH) batérií môžu tieto vypúšťať vodíkové plyny, ktoré môžu spôsobiť výbuch. Zabezpečte, aby bolo prostredie nabíjania dobre vetrané a ďalej od otvoreného ohňa.



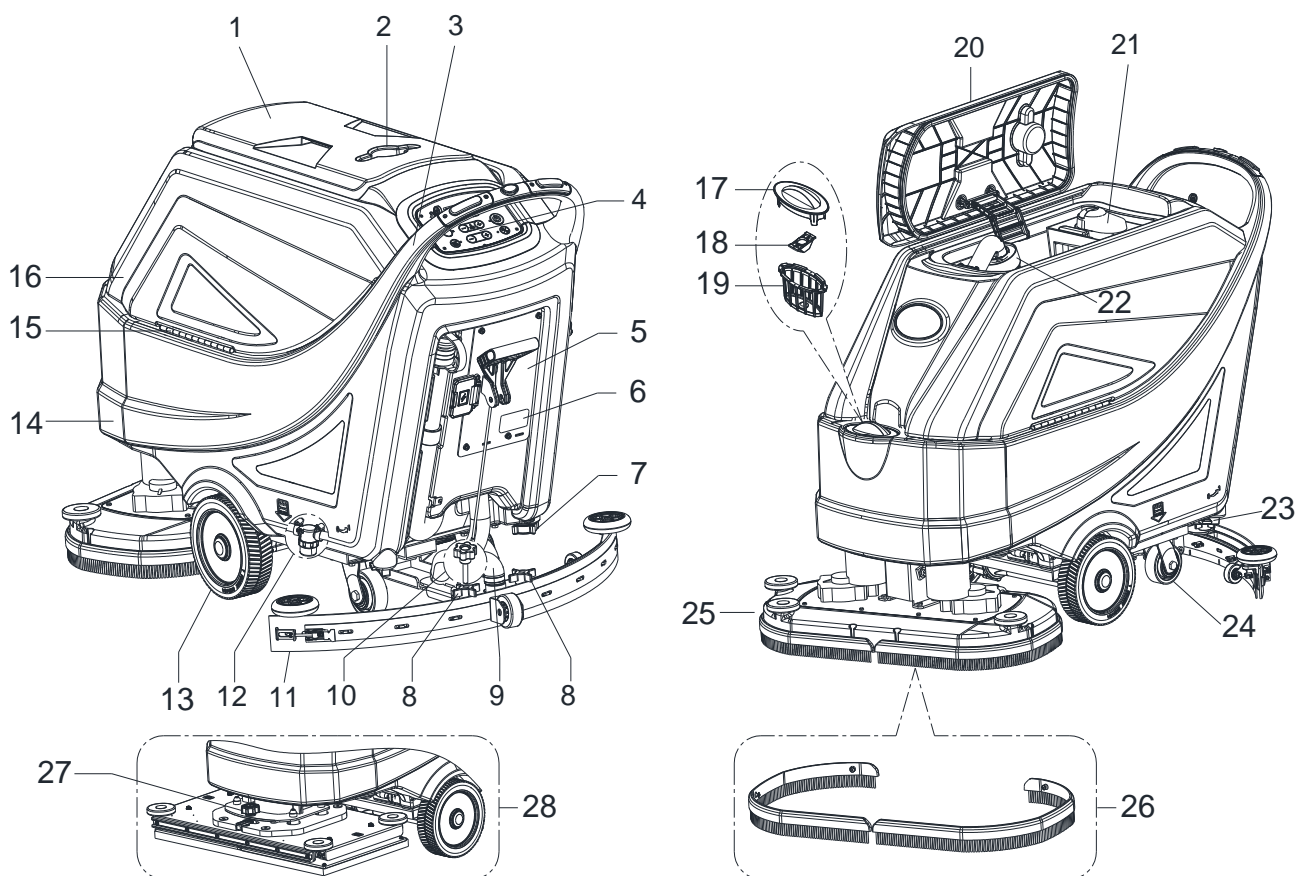
VAROVANIE!

- Toto zariadenie je určené na KOMERČNÉ POUŽITIE, napríklad v hoteloch, školách, nemocniciach, továrňach, obchodoch, kanceláriách a prenájdoch.
- Zariadenia ponechané bez dozoru musia byť zabezpečené proti neúmyselnému pohybu.
- Aby sa zabránilo neoprávnenému použitiu zariadenia, zdroj energie sa musí vypnúť alebo zablokovať, napríklad vytiahnutím kľúča z hlavného vypínača alebo kľúča zapalovania.
- Pred každým použitím dôkladne skontrolujte zariadenie. Uistíte sa, že boli všetky súčiastky správne zabudované. V opačnom prípade hrozí riziko zranenia osôb a škôd na majetku.
- Pred používaním nabíjačky sa uistíte, že hodnota frekvencie a napätia na sériovom štítku zariadenia zodpovedá vlastnostiam elektrickej siete.
- Nikdy nepremiestňujte zariadenie jeho ťahaním za kábel nabíjačky. Nenechávajte kábel položený cez otvorené dvere, ani na ostrých hranách alebo rohoch. Neprechádzajte so zariadením cez kábel nabíjačky batérie. Držte kábel nabíjačky batérie ďalej od horúcich povrchov.
Nenabíjajte batérie, ak sú kábel alebo zástrčka kábla batérie poškodené.
- Aby ste znížili riziko požiaru, poranenia elektrickým prúdom alebo zranenia, uistíte sa, že zariadenie vypnete, predtým, než odídete.
- Používajte a skladujte zariadenie v interiéri v suchom prostredí, nie je povolené používať ho vonku.
- Skladovacia aj prevádzková teplota zariadenia musí byť medzi 0 °C a +40 °C, vlhkosť vzduchu musí byť medzi 30 % a 95 %.
- Nepoužívajte zariadenie na šikmých plochách s prevýšením vyšším, ako je uvedené v technických údajoch.
- Pri používaní a narábaní s prostriedkami na čistenie podlahy dodržiavajte pokyny na štítkoch na obaloch týchto prostriedkov a noste vhodné rukavice a ochranné prostriedky.
- Používajte kefy a mopy dodané so zariadením alebo definované v tejto príručke. Používaním iných kief alebo mopov môžete znížiť bezpečnosť.
- V prípade nesprávneho fungovania zariadenia sa uistíte, že to nie je v dôsledku nedostatočnej údržby. Ak je to potrebné, požiadajte o pomoc autorizovanú osobu alebo autorizované Servisné centrum.
- Vykonajte všetky nevyhnutné opatrenia, aby sa vlasy, šperky a voľné oblečenie nezachytili do pohyblivých častí zariadenia.
- Nepoužívajte zariadenie na obzvlášť prašných miestach.

- Neumývajte zariadenie priamym alebo stlačeným prúdom vody, ani korozívnymi zmesami.
- Nevrážajte do regálov alebo lešení, predovšetkým tam, kde je riziko padajúcich predmetov.
- Neopierajte nádoby s tekutinami o zariadenie, používajte príslušný držiak na nádoby.
- Aby ste sa vyhli poškodeniu podlahy, nenechávajte kefu/pad pracovať, keď zariadenie nie je v pohybe.
- V prípade ohňa použite suchý práškový hasiaci prístroj. Nepoužívajte tekuté hasiace prístroje.
- Neodstraňujte ani neupravujte nálepky na zariadení.
- Nezasahujte do bezpečnostných krytov zariadenia a dodržiavajte pokyny pre bežnú údržbu dôsledne.
- Venujte pozornosť pri prevoze zariadenia, keď je teplota pod bodom mrazu. Voda v nádrži na špinavú vodu a v hadiciach by mohla zamrznúť a spôsobiť na zariadení vážne škody.
- Ak je potrebné vymeniť náhradné diely, objednajme ORIGINALNE náhradné diely od Autorizovaných predajcov.
- Vráťte zariadenie do Servisného centra, ak nepracuje ako zvyčajne alebo je poškodené, skladované vonku alebo spadlo do vody.
- Na zaistenie správneho a bezpečného fungovania zariadenia musí vykonať plánovanú údržbu podľa príslušnej kapitoly tohto návodu autorizovaná osoba alebo autorizované Servisné centrum.
- Zariadenie musí byť riadne zlikvidované kvôli prítomnosti škodlivých toxických materiálov (batérie a pod.), ktoré podliehajú normám vyžadujúcim likvidáciu v špeciálnych strediskách (viď kapitola Likvidácia).
- Toto zariadenie je čistiaci automat, nie je určené na žiadny iný účel.
- Vždy udržiavajte otvory čisté bez prachu, chlpkov a iných cudzích materiálov, ktoré by mohli znížiť prietok vzduchu. Nepoužívajte zariadenie, ak sú otvory upchaté.
- Zariadenie používajte len tam, kde je riadne osvetlenie.
- Toto zariadenie nie je určené na používanie osobami (vrátane detí) so zníženými fyzickými, zmyslovými alebo mentálnymi schopnosťami alebo s nedostatkom skúseností a znalostí.
- Pri používaní v blízkosti detí je potrebná zvýšená pozornosť.
- Deti musia byť pod dozorom, aby sa zaistilo, že sa so zariadením nehrajú.
- Počas používania tohto zariadenia buďte opatrní, aby ste nespôsobili škody na osobách ani predmetoch.
- Čistenie a údržbu používateľa nesmú vykonávať deti bez dozoru.

POPIS ZARIADENIA
ŠTRUKTÚRA ZARIADENIA (ako na Obr. 1)

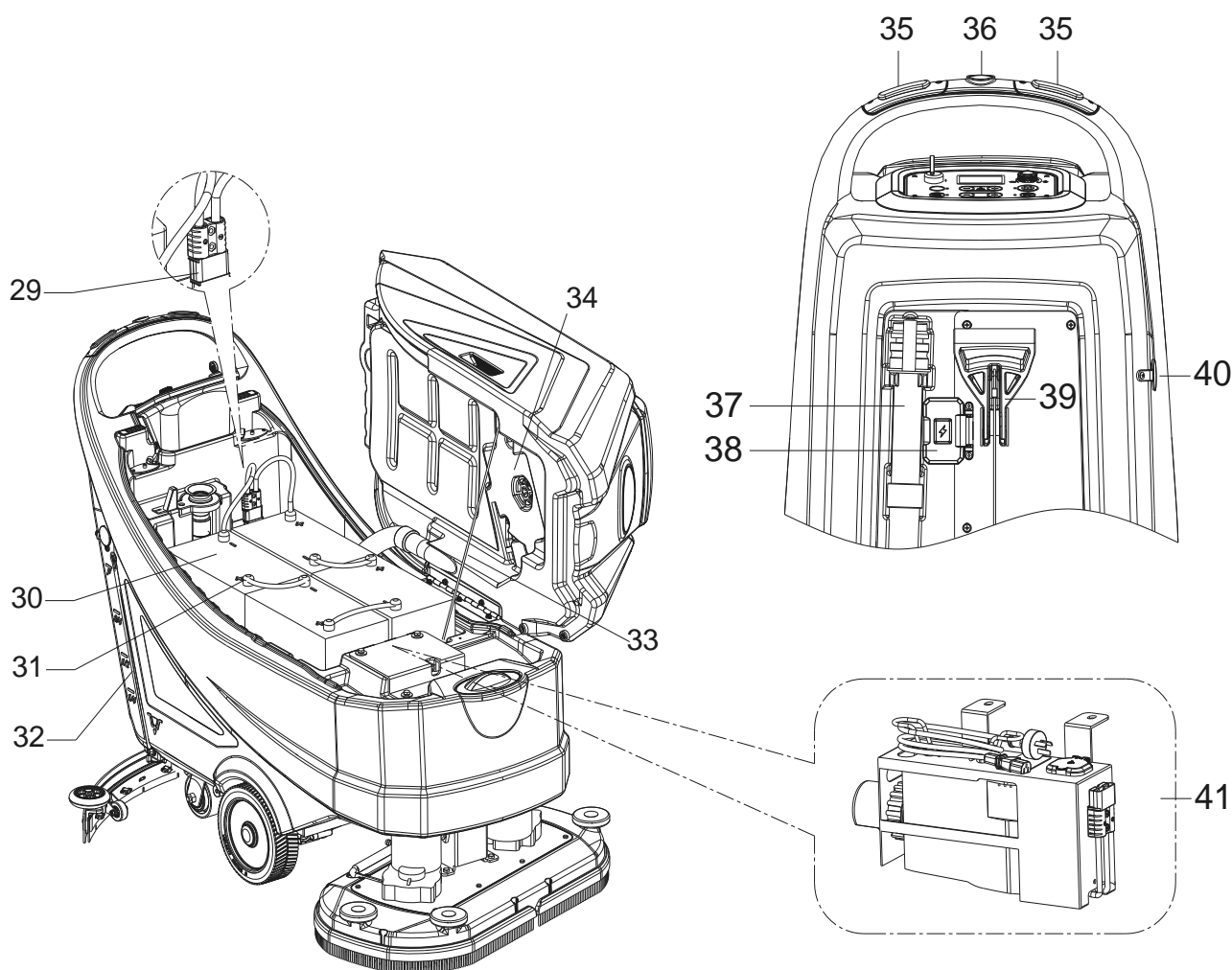
1. Vrchnák nádrže na špinavú vodu
2. Držiak na nádoby
3. Riadidlá
4. Ovládací panel
5. Ovládací skrinka
6. Štítok so sériovým číslom/technickými údajmi
7. Odtokový kryt
8. Matice lišty
9. Sacia hadica lišty
10. Gombík na nastavenie rovnováhy lišty
11. Lišta
12. Filter na roztok
13. Hnacie kolesá
14. Nádrž na roztok
15. Pánt
16. Nádrž na špinavú vodu
17. Kryt filtra
18. Držiak plniacej hadice
19. Opora filtra
20. Tesnenie krytu nádrže
21. Zberná nádoba na špinu
22. Filter plaváka
23. Kohútik na roztok/čistú vodu
24. Predné riadené kolesá
25. Kefový systém (len pre kotúčové zariadenie)
26. Ochrana proti striekajúcej vode
27. Nastavovací gombík na orbitálnej hlave
28. Orbitálny systém (len pre orbitálne zariadenie)



Obrázok 1

ŠTRUKTÚRA ZARIADENIA (ako na Obr. 2)

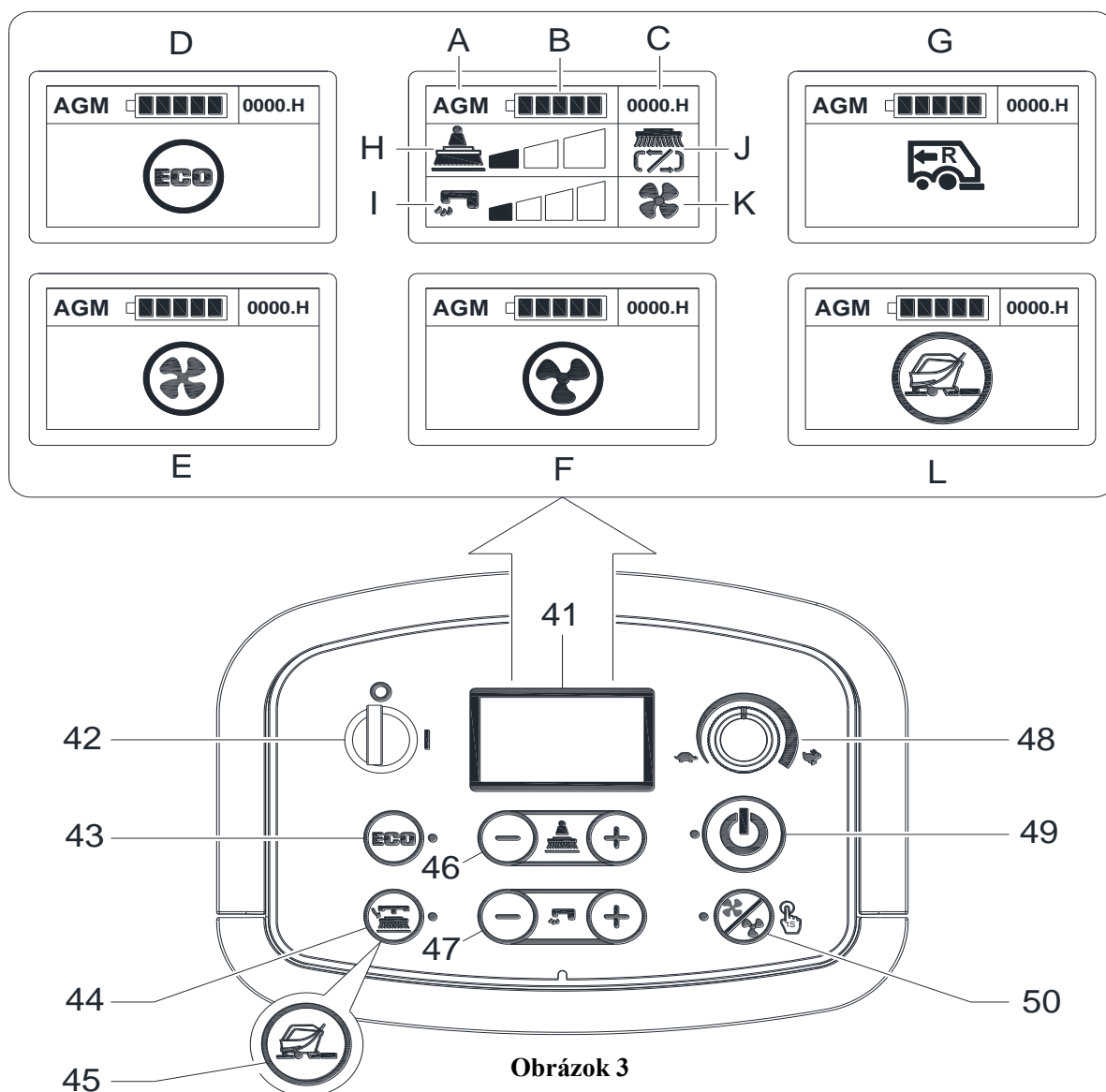
- | | |
|---------------------------------------|--|
| 29. Konektor batérie (červený) | 36. Spínač cúvania zariadenia |
| 30. Batérie (*) | 37. Odtoková hadica na špinavú vodu |
| 31. Vrchnáčky batérie | 38. Bezpečnostný kryt nabíjacieho konektora |
| 32. Trubica na indikáciu hladiny vody | 39. Zdvíhacia/spúšťacia páka stieracej lišty |
| 33. Bezpečnostný kábel nádrže | 40. Bočný plniaci uzáver nádrže na roztok |
| 34. Sací systém | 41. Palubná nabíjačka (*) |
| 35. Bezpečnostný spínač | (*): voliteľne |



Obrázok 2

OVLÁDACÍ PANEL (ako na Obr. 3)

41. Multifunkčný displej
Zobrazené položky:
- A) Typ batérie
 - B) Úroveň nabitia batérie
 - C) Počet odpracovaných hodín
 - D) Režim ECO
 - E) Normálny sací režim
 - F) Tichý sací režim
 - G) Spätný režim
 - H) Pretlak aktívny
 - I) Množstvo toku čistiaceho prostriedku
 - J) Pracovný režim kefy
 - K) Sací režim
 - L) Režim prípravy podlahy
42. Kľúč zapalovania (0 - I)
43. Tlačidlo režimu ECO
- LED dióda svieti pri aktivovanej dolnej funkcii
 - tok vody minimálny (úroveň 1)
 - tlak minimálny (úroveň 1)
 - Sanie v tichom režime
44. Tlačidlo na uvoľnenie kefy/držiaka mopu (len pre kotúčové zariadenie)
- Aktivovaný blikajúci systém LED pri uvoľnení
45. Tlačidlo na prípravu podlahy (len pre orbitálne zariadenie)
- Rýchlosť jazdy prednastavená na 1 km/h
 - LED dióda svieti pri aktivovanej dolnej funkcii
 - tok vody minimálny (úroveň 1)
 - tlak maximálny (úroveň 3)
 - Sanie v normálnom režime
46. Tlačidlo nastavenia tlaku kefy
47. Tlačidlo nastavenia toku roztoku
48. Nastavovač rýchlosti
49. Spustenie jedným tlačidlom
- LED dióda svieti pri aktivovanej dolnej funkcii
 - vodný systém minimálny (úroveň 1)
 - tlak minimálny (úroveň 1)
 - normálny sací režim
50. Tlačidlo nastavenia sacieho systému (aktivujete stlačením tlačidla po dobu 1 sekundy)
- LED dióda svieti v normálnom režime
 - Bliká LED dióda tichý režim



Obrázok 3

TECHNICKÉ PARAMETRE

Typ parametra	Jednotky	Model		
		AS6690T	AS7690T	AS7190TO
Kapacita nádrže na roztok	l/gal	85 l/22 gal.		
Kapacita nádrže na špinavú vodu	l/gal	90 l/24 gal.		
Dĺžka zariadenia	mm/palce	1490 mm/ 59 palcov	1550 mm/ 61 palcov	1490 mm/ 59 palcov
Šírka zariadenia s lištou	mm/palce	830 mm/ 33 palcov	950 mm/ 38 palcov	
Šírka zariadenia bez lišty	mm/palce	730 mm/29 palcov	830 mm/33 palcov	750 mm/30 palcov
Výška zariadenia	mm/palce	1020 mm/40,2 palcov		
Pracovná šírka	mm/palce	660 mm/26 palcov	760 mm/30 palcov	710 mm/28 palcov
Priemer hnacieho kolesa	mm/palce	230 mm/9 palcov		
Špecifický tlak hnacieho kolesa na podlahu	N/mm ²	0,67 N/mm ²		
Priemer zadných kolies	mm/palce	101 mm/4 palcov		
Špecifický tlak zadného kolesa na podlahu	N/mm ²	0,82 N/mm ²		
Priemer kefy/mopu	mm/palce	330 mm x 2/ 13 palcov x 2	380 mm x 2/ 15 palcov x 2	355 x 710 mm/ 14x28 palcov
Tlak kefy/mopu (max)	kg/lb	32 kg/71 lb 41 kg/90 lb 49 kg/108 lb	35 kg/77 lb 43 kg/95 lb 51 kg/112 lb	42 kg/93 lb 54 kg/120 lb 65 kg/143 lb
Tok roztoku (max.) podľa nastavenia	l/gal za minútu	(0,9/1,5/2,2/3) litrov (0,24/0,39/0,58/0,79) galónov		(0,6/1,1/1,9/2,5) litrov (0,16/0,29/0,5/0,66) galóny
Hladina akustického tlaku	dB (A)	69 ± 3 dB (A)		
Hladina akustického tlaku v režime ECO alebo v tichom režime	dB (A)	65 ± 3 dB (A)		
Úroveň vibrácií rukoväte (max)	m/s ²	< 2,5 m/s ²		
Stúpavosť (max)	% stupne	2%		
Min. otočenie lode	cm/palce	155 cm/61 palcov	165 cm/65 palcov	160 cm/63 palcov
Výkon hnacieho motora	Watt/H.P.	250 W/0,33 HP		350 W/0,47 HP
Pracovná rýchlosť	km/míle za hodinu	0 - 4,0 Km / 0 - 2,5 míle za hodinu		0 - 3, 2 km/0 - 2,0 míle za hodinu
Rýchlosť dopredu	km/míle za hodinu	0 - 4,0 km/0 - 2,5 míľ za hodinu		
Rýchlosť dozadu	km/míle za hodinu	0 - 2,0 km/0 - 1,25 míle za hodinu		
Výkon motora vysávača	Watt/H.P.	500 W/0,66 HP		
Kapacita vysávača	mm/inH ₂ O	1500 mm/60 inH ₂ O		
Kapacita vysávača v režime ECO alebo v tichom režime	mm/inH ₂ O	900 mm/35 inH ₂ O		
Výkon motora kefy	Watt/H.P.	500 x 2 Watt/0,66 x 2 HP		750 Watt/1,0 HP
Rýchlosť kefy v normálnom režime	ot/m	200 ot/m		2200 ot/m
Rýchlosť kefy v režime ECO	ot/m	160 ot/m		1600 ot/m
Trieda ochrany IP	IP	IP24		
Veľkosť priehradky na batérie s externou nabíjačkou (D x Š x V)	mm/palce	(620 x 385 x 390) mm/24,4 x 15,1 x 15,3 palcov		
Veľkosť priehradky na batérie s palubnou nabíjačkou (D x Š x V) (*)	mm/palce	(535 x 385 x 390) mm/21 x 15,1 x 15,3 palcov		
Napätie	DC	24 V		
Batérie (*)	Ah	neaplikovateľné		
Výdrž batérie (štandardné batérie) (*)	hodina	Až 4 hodiny		
Palubná nabíjačka (*)	V/A	24V 25A		
Produktivita (max)	m ² /h	2640 m ² /h	3040 m ² /h	2272 m ² /h
Hmotnosť stroja s prázdnyimi nádržami (bez batérií)	kg/lb	135 kg/298 lb	138 kg/304 lb	148 kg/326 lb
Brutto hmotnosť stroja (BHS)	kg/lb	347 kg/765 lb	350 kg/772 lb	360 kg/794 lb
Váha zásielky	kg/lb	202 kg/444 lb	205 kg/451 lb	215 kg/473 lb
Rozmery balenia (D x Š x V)	mm/palce	(1620 x 810 x 1200 mm)/(64 x 32 x 48 palcov)	(1660 x 910 x 1200 mm)/ (66 x 36 x 48 palcov)	

(*) : voliteľne

NÁVOD NA POUŽÍVANIE

**VAROVANIE!**

Na niektorých miestach stroja sa nachádzajú lepiace štítky indikujúce:

- NEBEZPEČENSTVO!
- VAROVANIE!
- UPOZORNENIE!
- KONZULTÁCIA

Počas čítania tejto Príručky musí operátor venovať dostatočnú pozornosť symbolom uvedeným na štítkoch. Zo žiadnych dôvodov nezakrývajte tieto štítky a ak sú poškodené, okamžite ich vymeňte.

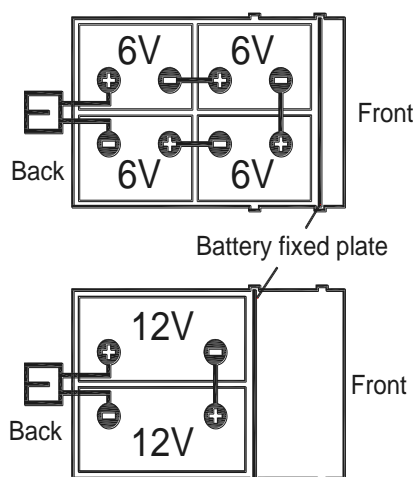
KONTROLA/NASTAVENIE BATÉRIE NA NOVOM STROJI

**VAROVANIE!**

Elektrické komponenty stroja sa môžu vážne poškodiť, ak sú batérie nesprávne vložené alebo zapojené. Batérie smie vkladat' len kvalifikovaný personál. Nastavte elektronickú dosku a vstavanú nabíjačku batérií podľa typu použitých batérií (WET alebo GEL/AGM batérie). Pred vložením batérií skontrolujte, či nie sú poškodené. Odpojte konektor batérie a zásuvku nabíjačky batérie. S batériami narábajte veľmi opatrne. Namontujte ochranné vrchnáčky terminálov batérií, ktoré sú dodávané so strojom.

Batérie už sú v zariadení nainštalované

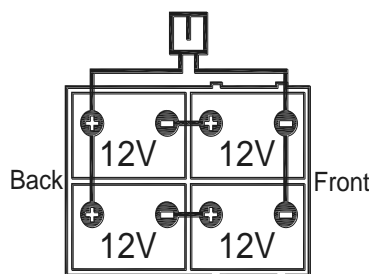
1. Zaistite, aby bol konektor batérie (29, Obr. 2) pripojený.
2. Pri prvom použití zariadenia s novými batériami vykonajte celý cyklus nabíjania (pozrite postup v kapitole Údržba).



Obrázok 4

**POZNÁMKA**

Stroj si vyžaduje dve 12 V batérie alebo štyri 6 V batérie, pripojené podľa schémy (Obr. 4). Vložte pevne pripevnenú platničku batérie (obr. 4).

**Bez batérií**

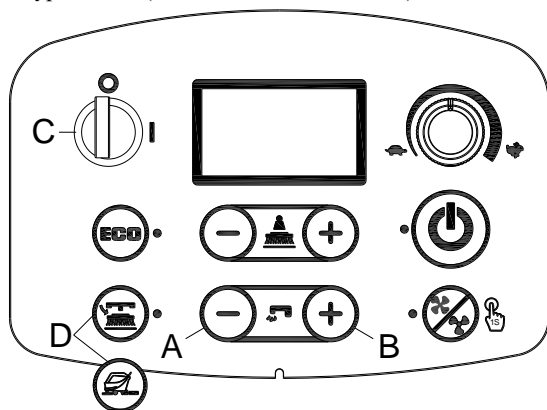
1. Zakúpte vhodné batérie (pozrite odsek „Technické údaje“). Ohľadom voľby a vloženia batérií sa poraďte s kvalifikovaným predajcom batérií.
2. Nastavte stroj podľa typu vložených batérií, ako je to znázornené v časti Super používateľský kľúč v kapitole Údržba.

VLOŽENIE BATÉRIE A NASTAVENIE TYPU BATÉRIE (WET OR GEL/AGM OR DIS OR ENES)**Inštalácia batérie**

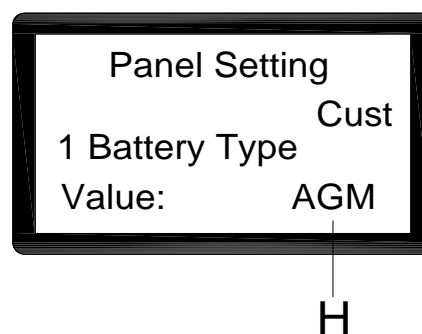
1. Otvorte vrchnák nádrže na špinavú vodu (1, Obr. 1) a skontrolujte, či je nádrž (16) prázdna; ak nie, vyprázdňte ju pomocou odtokovej hadice. (37, Obr. 2)
2. Zatvorte vrchnák nádrže na špinavú vodu (1, Obr. 1).
3. Zdvihnite nádrž na špinavú vodu (16, Obr. 1) opatrne.
4. Zariadenie sa dodáva s káblami vhodnými na inštaláciu dvoch 12 V batérií alebo štyroch 6 V batérií. Opatrne vložte batérie do priehradky, potom ich riadne nainštalujte. Vložte pevne pripevnenú platničku batérie (obr. 4).
5. Veďte a pripevnite kábel batérie tak, ako je to na (Obr. 4), potom poriadne zatahnite maticu na každej svorku batérie.
6. Na každú svorku umiestnite ochranný vrchnáčik, potom pripojte konektor batérie (29, Obr. 2).
7. Opatrne spustite nádrž na špinavú vodu (16, Obr. 1).

Nastavenie typu batérie (WET OR GEL/AGM OR DIS OR ENES)**Prístup k výberu režimu batérie**

Podľa typu batérií (VLHKÉ alebo GEL/AGM) nastavte zariadenie nasledovne:



Obrázok 5

Access to select battery mode

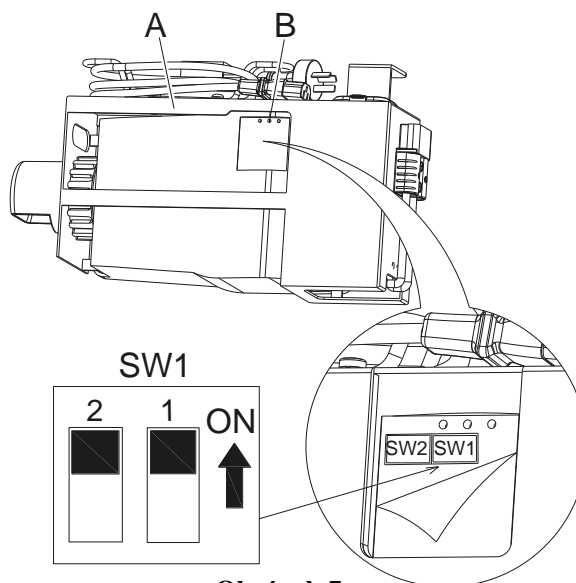
Obrázok 6

1. Stlačte tlačidlo prietoku vody „+“ (A, Obr. 5) a „-“ (B, Obr. 5) súčasne.
2. Zasuňte kľúč zapalovania (C, Obr. 5) a otočte ho do polohy „I“.
3. O niekoľko sekúnd neskôr vstúpíte na obrazovku výberu režimu batérie (Obr. 6)
4. Stlačte tlačidlo prietoku vody „-“ (A, Obr. 5) a „+“ (B, Obr. 5) pre výber režimu batérie (H, Obr. 6)
5. Stlačte uvoľňovacie tlačidlo pre verziu disku alebo tlačidlo prípravy podlahy pre orbitálnu verziu (D, obr. 5), O 3 sekundy neskôr sa zobrazí správa „Aktualizácia je v poriadku“, ktorá znamená, že nastavenie bolo úspešné. (C, Obr. 5)

Nastavenie nabíjačky batérií (iba pre palubnú nabíjačku, ak je nainštalovaná)**VAROVANIE!**

Nabíjačku nenastavujte, pokiaľ nemáte odborné školenie

1. Vypnite zariadenie a odpojte palubnú nabíjačku (A, Obr. 7) zo zariadenia. Potom otvorte štítok na kryte nabíjačky (B, Obr. 7). Nájdete 2 sady prepínačov DIP (SW1 a SW2) v nabíjačke.
2. Iba sada prepínača DIP SW1 (ten na ľavej strane) má vplyv na výber nabíjacej krivky podľa tabuľky uvedenej nižšie.



Obrázok 7

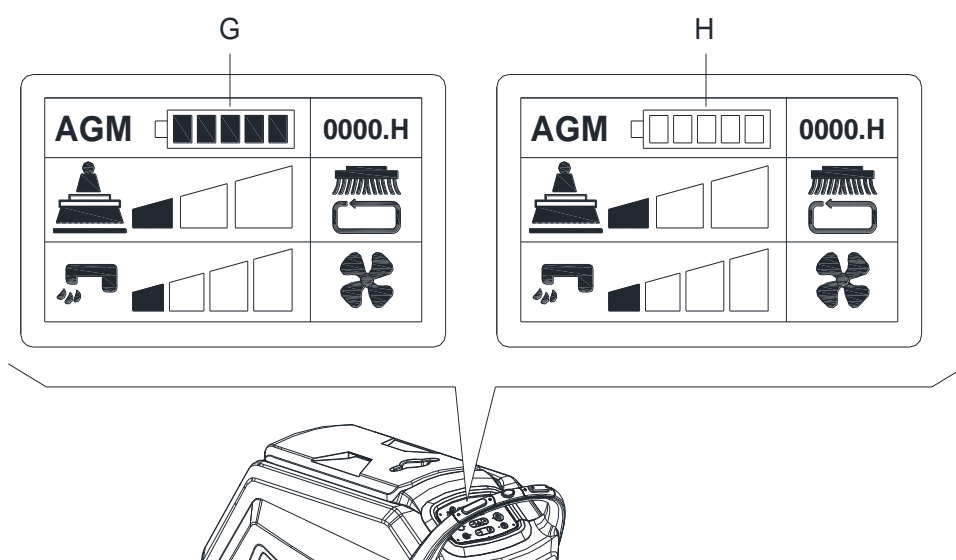
DP1	DP2	NABÍJACIA KRIVKA
ZAP	VYP	IUIa-ACD pre olovené batérie (vlhké)
VYP	VYP	IUIa-GEL pre gélové batérie Exide-Sonnenschein
VYP	ZAP	IUU0-GEL pre gélové HAZE a batérie AGM iných výrobcov
ZAP	ZAP	IUIUa-AGM pre batérie Discover AGM

Nabíjanie batérií

Batérie úplne nabite (pozrite postup v kapitole Údržba).

Vybitie batérie

Ak je vzor batérií plný (G, Obr. 8), batérie umožňujú zariadeniu normálnu prácu. Ak je vzor batérií slabý (H, Obr. 8), batérie sa musia nabiť. Niekoľko sekúnd po tom, čo sa zobrazí slabý vzor batérií, sa kefa/držiak mopu automaticky vypne, zatiaľ čo systém pohonu zostane zapnutý. Ihneď choďte so strojom do určeného nabíjacieho priestoru.



Obrázok 8



UPOZORNENIE!

Keď sú batérie vybité, nabite ich čo najskôr, pretože ich stav skracuje ich životnosť. Skontrolujte nabitie batérie najmenej raz týždenne.

INŠTALÁCIA KEFY/DRŽIAKA MOPU A ICH ODPOJENIE (len pre kotúčové zariadenie)**POZNÁMKA**

Vložte buď kefu (A, Obr. 9) alebo držiak mopu (B a C, Obr. 9) v závislosti od typu podlahy, ktorú budete čistiť.

**UPOZORNENIE!**

Pred namontovaním alebo odstránením kefy alebo držiaka mopu sa uistite, že všetky spínače na stroji sú vo vypnutej polohe a lišta je zdvihnutá z podlahy. Obsluhujúca osoba musí byť v záujme zníženia rizika poranenia vybavená vhodnými ochrannými prostriedkami, ako sú napr. rukavice.

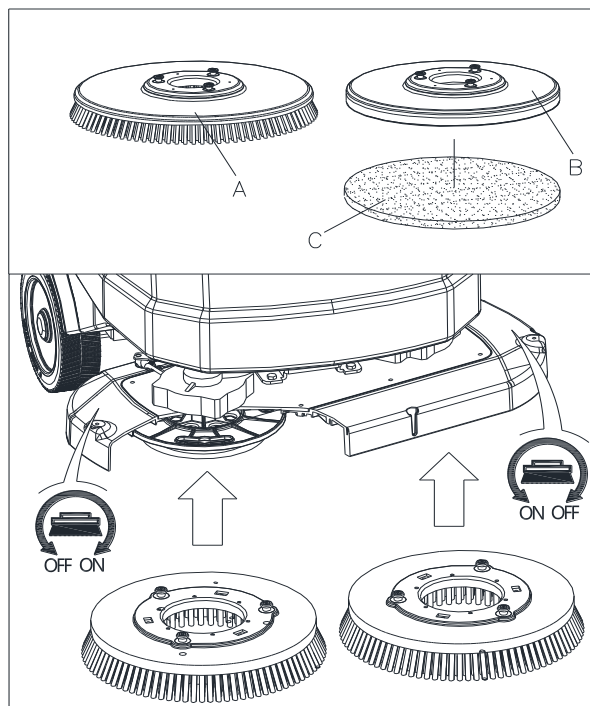
Postupujte nasledovne:

INŠTALÁCIA:

1. Vložte kľúč zapalovania (42, Obr. 3) a otočte do polohy „I“. Nadvihnite plošinu. Zariadenie vypnite vytiahnutím kľúča zapalovania (42).
2. Nastavovač rýchlosti (48) prepnite ho do stavu nečinnosti otočením proti smeru hodinových ručičiek.
3. Umiestnite kefy (A, Obr. 9) alebo držiak mopu (B) pod plošinu.
4. Použite manuálnu metódu pri otáčaní kefy/držiaka mopu v smere opačnom ako je obvyklý smer otáčania, môžete nainštalovať. (ako na Obr. 9)

ODPOJENIE:

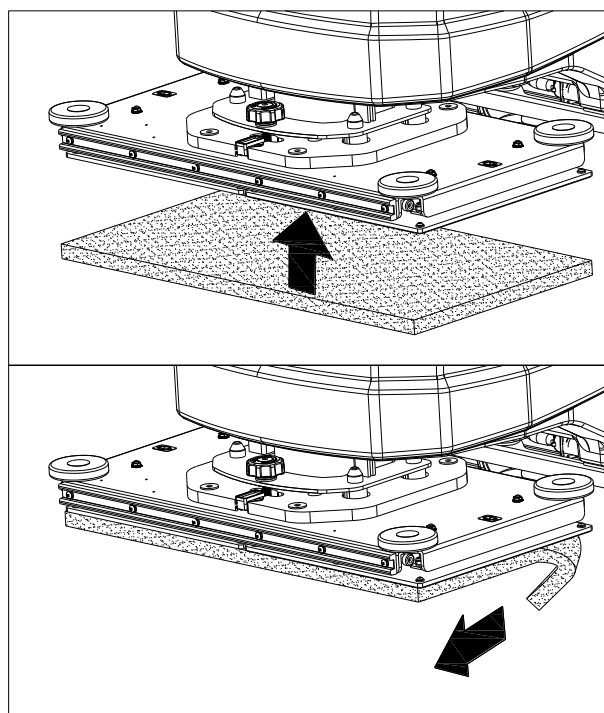
1. Vložte kľúč zapalovania (42, Obr. 3) a otočte do polohy „I“. Na odpojenie kefy/držiaka mopu nadvihnite plošinu stlačením tlačidla na uvoľnenie kefy/držiaka mopu (44), kefa/držiak mopu sa automaticky uvoľní.



Obrázok 9

INŠTALÁCIA MOPU A JEHO ODPOJENIE (len pre orbitálne zariadenie)

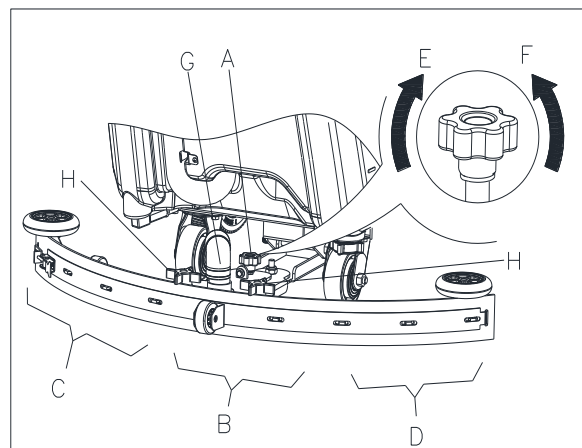
1. Vložte kľúč zapalovania (42, Obr. 3) a otočte do polohy „I“. Nadvihnite plošinu. Zariadenie vypnite vytiahnutím kľúča zapalovania.
2. Použite manuálnu metódu pri inštalácii alebo odpojení mopu ako (Obr. 10)



Obrázok 10

NASTAVENIE ROVNOVÁHY LIŠTY

1. Nasadíte lištu a zatahnete matice (H, Obr. 11), následne pripojte saciu hadicu (G) k lište.
2. Pomocou páky nastavenia lišty nastavte lištu (A, Obr. 11).
 - a) Ak je medzera medzi dlážkou a strednou časťou zadnej čepele lišty (B), nastavte gombík (A) v smere proti pohybu hodinových ručičiek (F), až kým sa všetky časti zadnej čepele lišty nedotýkajú dlážky a predná čepeľ jemne dosadá na dlážku.
 - b) Ak je medzera medzi dlážkou a oboma koncami zadnej čepele lišty (C a D), nastavte gombík (A) v smere pohybu hodinových ručičiek (E), až kým sa všetky časti zadnej čepele lišty nedotýkajú dlážky a predná čepeľ jemne dosadá na dlážku.

**Obrázok 11****PLNENIE NÁDRŽE NA ROZTOK**

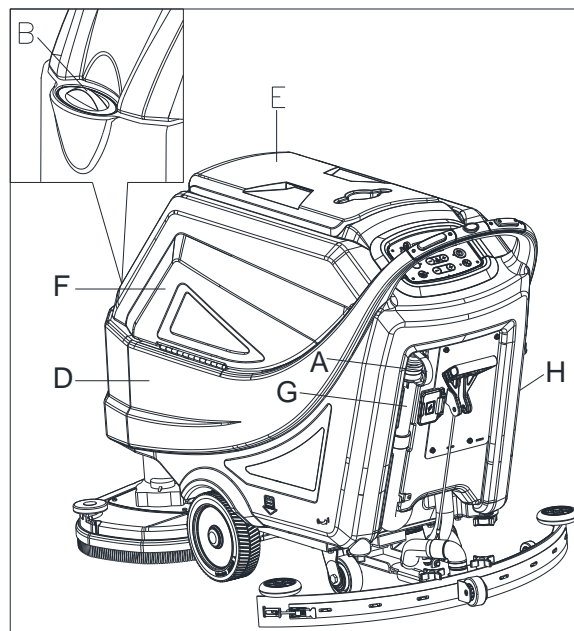
1. Otvorte kryt vstupu vody (B, Obr. 12).
2. Cez otvor vstupu vody s filtrom naplňte nádrž vodou alebo roztokom vhodným pre plánovanú prácu.
Teplota roztoku nesmie prekročiť +104F (+40 °C).
3. Neprelievajte nádrž, pozrite sa na indikátor hladiny vody (H) kvli objemu vody.

**VAROVANIE!**

Používajte len nízko penivé a nehorľavé čistiace prostriedky určené pre automatické čističe podláh.

SPUSTENIE A ZASTAVENIE STROJA**Spustenie stroja**

1. Pripravte stroj tak, ako je to zobrazené v predošlom odstavci.
2. Vložte kľúč zapalovania (A, Obr. 13) a otočte do polohy „I“. Na obrazovke displeja skontrolujte stav batérií. V prípade potreby nabite batérie (pozrite postup v kapitole Údržba).
3. Prejdite so strojom na pracovnú oblasť:
 - Stlačením bezpečnostného spínača (F) sa posuniete dopredu alebo stlačením bezpečnostného spínača (F) spolu so spínačom cúvania (G) sa posuniete dozadu. Rýchlosť pohybu vpred sa dá nastaviť nastavovačom (H).
4. Spustíte lištu (I) pomocou zdvíhacej/spúšťačej rukoväte lišty (J).
5. Spustíte plošinu kefy/držiaka mopu (K) stlačením spustenia jedným tlačidlom (L)
6. Ak je potrebné, stlačte tlačidlá ovládania toku roztoku (O), v závislosti od typu čistenia, ktoré budete vykonávať.
7. Začnite čistenie:
 - Stlačením ktoréhokoľvek bezpečnostného spínača (F) aktivujte pohon zariadenia. Ak je to potrebné, rýchlosť pohybu vpred sa dá nastaviť nastavovačom (H).

**Obrázok 12**

**POZNÁMKA**

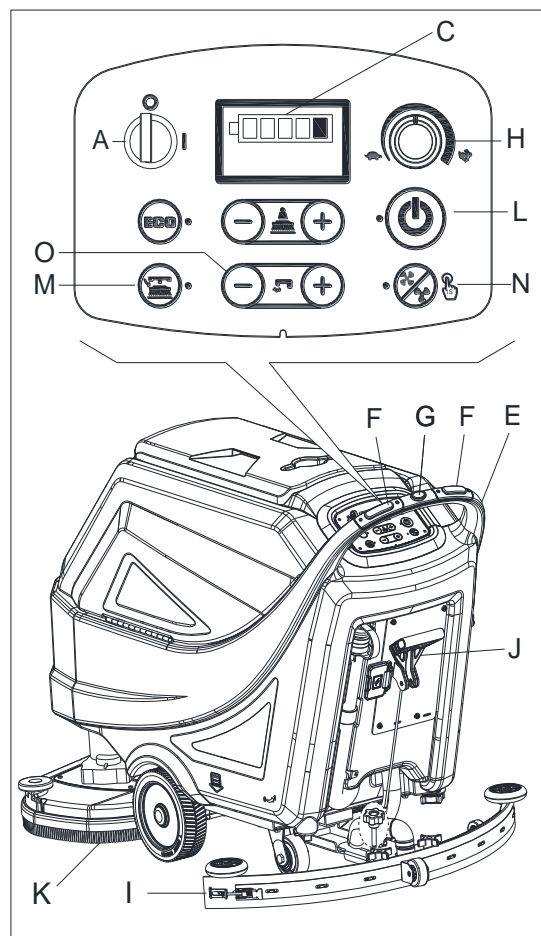
Pre pohyb stroja vpred stlačte buď ľavý alebo pravý bezpečnostný spínač (F, Obr. 13), alebo oba.

Zastavenie stroja

8. Zastavte stroj uvoľnením bezpečnostných spínačov (F, Obr. 13)
9. Kefy sa zastavia. Systém sania sa zastaví po niekoľkých sekundách.
10. Nadvihnite plošinu kefy/držiaka mopu (K) stlačením spustenia jedným tlačidlom (L).
11. Nadvihne lištu (I) pomocou zdvíhacej/spúšťacej rukoväte lišty (J).
12. Otočte kľúč zapalovania (A) do polohy „0“.
13. Uistite sa, že stroj sa nemôže sám od seba pohnúť.

CHOD STROJA (UMÝVANIE A SUŠENIE)

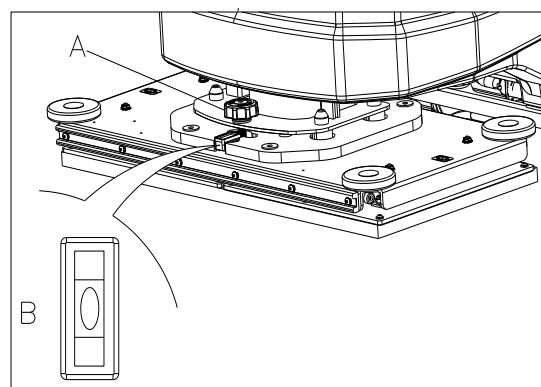
1. Spustíte zariadenie, ako je to uvedené v predchádzajúcich odsekoch.
2. Keď stlačíte ktorýkoľvek bezpečnostný spínač (35, Obr. 2), riadte stroj a začnete čistiť/sušiť podlahu.
3. Ak je to nevyhnutné, zastavte zariadenie a potom nastavte lištu podľa časti „Nastavenie rovnováhy lišty“.



Obrázok 13

NASTAVENIE ÚROVNE ORBITÁLNEJ PLOŠINY (IBA PRE ORBITÁLNE ZARIADENIE)

1. Vložte kľúč zapalovania (42) a otočte do polohy „I“.
Spustite plošinu kefy/držiaka mopu (25) stlačením spustenia jedným tlačidlom (49)
2. Nastavte úroveň orbitálnej plošiny nastavením rukoväte (A, Obr. 14) tak, aby bublina bola v strede (B, Obr. 14).



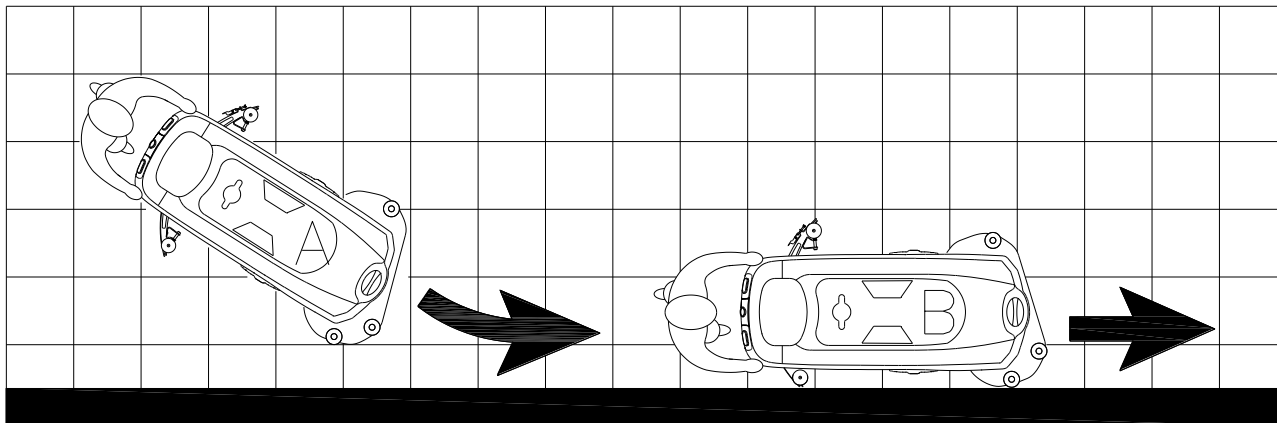
Obrázok 14

**POZNÁMKA**

Na správne vyčistenie/vysušenie podlahy na krajoch pri stenách. Navrhuje sa ísť blízko pri stenách s pravou stranou stroja (A a B, Obr. 15), ako je to zobrazené na obrázku.

**UPOZORNENIE!**

Aby ste predišli škodám na povrchu podlahy, vypnite kefy/držiaky mopu, keď stroj stojí na jednom mieste, predovšetkým keď je zapnutá funkcia extra tlaku.



Obrázok 15

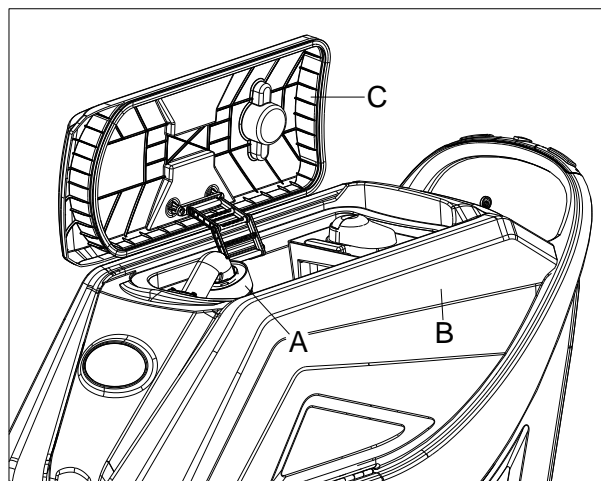
VYPRÁZDNIENIE NÁDRŽE

Systém automatického vypínania (A, Obr. 16) zablokuje systém sania, keď je nádrž na špinavú vodu (B) plná. Deaktivácia systému sania je signalizovaná náhlym zvýšením frekvencie zvuku v motore systému sania, atiež podlaha sa nesuší.

**UPOZORNENIE!**

Ak sa systém sania náhodou vypne (napríklad pri náhlom pohybe stroja sa aktivuje plavák v automatickom vypínaní), chod znova spustíte takto: vypnite systém sania stlačením spínača (50, Obr. 3), potom otvorte kryt (C, Obr. 16) a skontrolujte, či plavák vo vnútri mriežky (A) klesol dole na hladinu vody. Potom zatvorte kryt (C) a zapnite systém sania stlačením spínača (50, Obr. 3).

Keď je nádrž na špinavú vodu (B, Obr. 16) plná, vyprázdňte ju podľa nasledujúceho postupu.



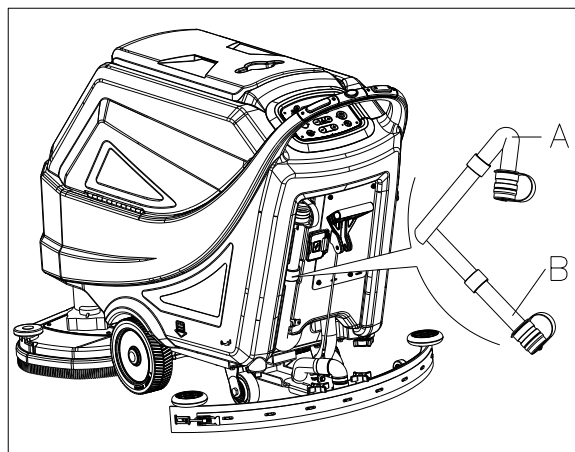
Obrázok 16

Vyprázdňovanie nádrže na špinavú vodu

1. Zastavte stroj.
2. Zdvihnite plošinu kefy/držiaka mopu (25, Obr. 1) stlačením spustenia jedným tlačidlom (49, Obr. 3) alebo reštartujte zariadenie pomocou kľúča zapalovania (42, Obr. 3).
3. Nadvihne lištu (11, Obr. 1) pomocou zdvíhacej/spúšťacej rukoväte lišty (39, Obr. 2).
4. Prejdite so strojom na miesto určené na vyliatie vody.
5. Vyprázdňte nádrž na špinavú vodu pomocou hadice (A, Obr. 17). Potom vypláchnite nádrž (B, Obr. 16) čistou vodou.

**UPOZORNENIE!**

Keď vypúšťate odpadovú vodu, sacia trubica na odpad musí byť stlačená (A, Obr. 17) a spustená do nižšej polohy (B, Obr. 17), a až potom otvorte príklop sacej trubice na odpad na vypustenie vody. Nenasmerujte otvor sacej trubice smerom k tvári hore, aby ste vypúšťali vodu zvislo. To je preto, aby ste sa vyhlí vyšplechnutiu vody na obsluhú osobu.

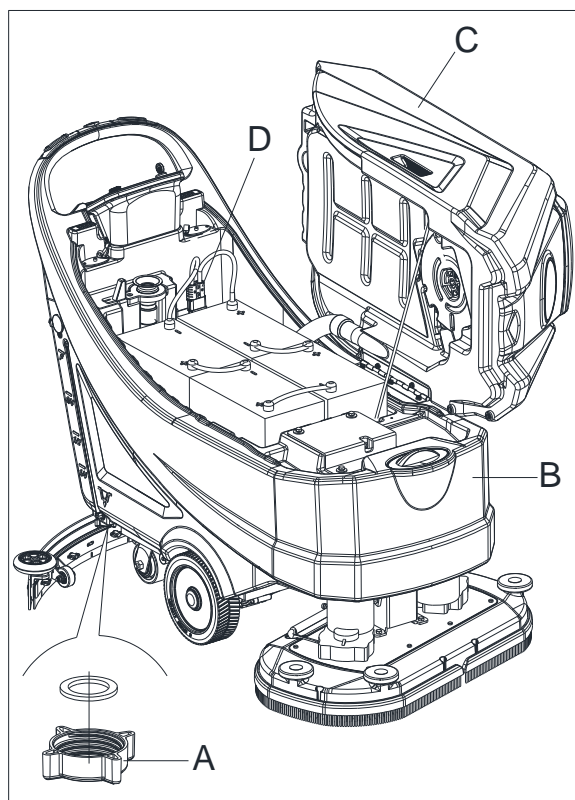
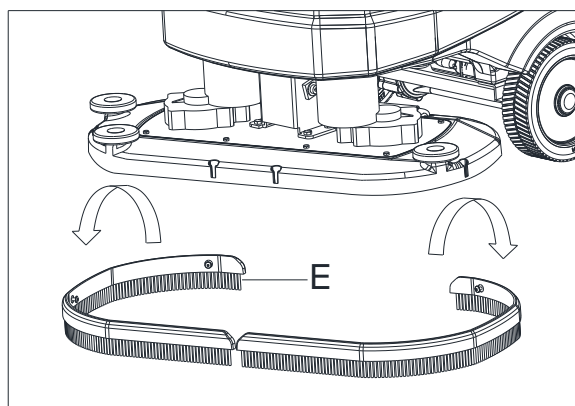
**Obrázok 17****Vyprázdnenie nádrže na roztok/čistú vodu**

1. Vyprázdňte nádrž na roztok pomocou odtokového krytu (A, Obr. 18). Po práci vypláchnite nádrž čistou vodou.

PO POUŽÍVANÍ STROJA

Po práci, pred odložením stroja:

1. Vyberte kefy/držiaky mopu stlačením uvoľňovacieho tlačidla (44, Obr. 3) a vyčistite ich (len pre kotúčové zariadenie).
2. Odstráňte ochranu proti striekajúcej vode ako (E, Obr. 19) a vyčistite ju. (len pre kotúčové zariadenie)
3. Vyberte mop a vyčistite ho. (len pre orbitálne zariadenie)
4. Vyprázdňte nádrže (B a C, Obr. 18), ako je to uvedené v predchádzajúcich odsekoch.
5. Vykonajte dennú údržbu (pozrite kapitolu Údržba).
6. Uskladnite stroj na čistom a suchom mieste, s nadvihnutými alebo odstránenými kefami/držiakmi mopov a lištou.

**Obrázok 18****Obrázok 19**

SKLADOVANIE ZARIADENIA POČAS DLHODOBEJ NEČINNOSTI

Ak stroj nebudete používať viac ako 30 dní, vykonajte nasledujúce kroky:

1. Vykonajte kroky uvedené v odseku Po používaní stroja.
2. Odpojte konektor batérie (29, Obr. 2).

PRVÉ POUŽITIE

Po prvých 8 hodinách skontrolujte časti stroja, ktoré sú zaskrutkované alebo spojené, či sú riadne utiahnuté, a skontrolujte, či viditeľné miesta nie sú opotrebované alebo neuniká tekutina.

ÚDRŽBA**VAROVANIE!**

Údržbu musíte vykonávať po tom, ako zariadenie vypnete a odpojíte kábel nabíjačky batérie. Okrem toho si pozorne prečítajte kapitoly ohľadom bezpečnosti v tejto príručke.

Všetky kroky plánovanej alebo zvláštnej údržby musí vykonať kvalifikovaná osoba alebo autorizované servisné centrum. Táto príručka popisuje len všeobecné alebo bežné postupy údržby.

Ohľadom ďalších postupov údržby, ktoré nie sú v nižšie uvedenej tabuľke plánu údržby, sa obráťte na Servisnú príručku, o ktorej sa môžete poradiť v ktoromkoľvek Servisnom centre našej spoločnosti.

TABUĽKA PLÁNU ÚDRŽBY**UPOZORNENIE!**

Úkon označený (1) sa musí vykonať po prvých 8 hodinách používania. Úkon označený (2) musí vykonať Servisné centrum kvalifikované našou spoločnosťou.

Úkon	Denne, po každom použití	Týždenne	Polročne	Ročne
Nabíjanie batérií				
Čistenie lišty				
Čistenie držiaka kefy/mopu				
Čistenie nádrže				
Kontrola tesniaceho pásika nádrže				
Čistenie plávajúceho filtra				
Čistenie mopu				
Čistenie ochrany proti striekajúcej vode (len pre kotúčové zariadenie)				
Kontrola a výmena čepele stieracej lišty				
Čistenie čistiaceho vodného filtra				
Čistenie sacieho filtra				
Kontrola hladiny tekutiny WET batérie				
Kontrola pevnosti skrutiek a matíc			(1)	
Dolný izolátor (len pre orbitálne zariadenie)			(2)	
Kontrola alebo výmena uhlíka motora kefy				(2)
Kontrola alebo výmena uhlíka motora sacej kefy				(2)
Kontrola alebo výmena pohonu uhlíka motora kefy				(2)

NAVODILA**POZOR!**

Nekatere splošne in podrobne informacije o napravi niso vključene v ta vodič. Prosimo, poglejte HITRI VODIČ na priloženem CD-ROM-u s pomočjo programa Adobe® Reader®.

**OPOMBA**

Številke v oklepajih se nanašajo na komponente, prikazane v poglavju Opis naprave.

NAMEN VODIČA IN VSEBINA

Namen tega hitrega vodiča je sporočanje osnovnih informacij operaterju za pravilno uporabo naprave. Za informacije o tehničnih značilnostih, podatke o delovanju, neaktivnosti stroja, rezervnih delih in varnostnih pogojih itn. si oglejte HITRI VODIČ na priloženem CD-ROM-u.

Pred izvajanjem procedur na napravi, morajo operaterji in usposobljeno osebje prebrati hitri vodič. Kontaktirajte naše podjetje v primeru kakršnih koli dvomov glede interpretacije navodil ali za dodatne informacije.

KAKO SHRANITI TA HITRI VODIČ

Hitri vodič mora biti zmeraj v bližini naprave, v primerni škatlici, stran od tekočin in ostalih snovi, ki lahko povzročijo kakršno koli škodo na napravi.

IZJAVA O SKLADNOSTI

Izjava o skladnosti je dobavljena z napravo in dokazuje skladnost naprave z veljavnim zakonom.

**OPOMBA**

Kopije originalne izjave o skladnosti se nahajajo v sklopu dokumentacije naprave.

DODATKI IN VZDRŽEVANJE

Vse potrebno rokovanje, vzdrževanje in popravila mora opravljati usposobljeno osebje v popravilnem centru, ki ga določi naše podjetje. Uporabljajo se lahko SAMO originalni in odobreni rezervni deli in dodatki.

Kontaktirajte pomoč uporabnikom našega podjetja, če želite pridobiti informacije o servisu, kupiti rezervne dele ali dodatke.

SPREMEMBA IN IZBOLJŠANJE

Zavzemamo se za stalno izboljševanje svojih izdelkov, družba si pridržuje pravico do sprememb, strojnih in izboljšav brez dodatnega obveščanja.

OBSEG UPORABE

Ta brisalnik se lahko uporablja v komercialne in industrijske namene. Primerna je za čiščenje gladkih in trdnih tal, z njo pa lahko rokuje samo usposobljeno osebje v varnih razmerah. Ni primeren za zunanjo uporabo, za tepihe ali čiščenje grobih tal.

IDENTIFIKACIJSKI PODATKI NAPRAVE

Serijska številka in naziv modela naprave sta označena na serijski oznaki.

Ta podatek je uporaben. V spodnjo tabelo zapišite identifikacijske podatke naprave, ko boste potrebovali rezervne dele naprave.

MODEL NAPRAVE.....
SERIJSKA ŠTEVILKA NAPRAVE.....

TRANSPORT IN RAZPAKIRANJE

Ko dostavna služba dostavi napravo, preverite, da sta embalaža in naprava cela in nepoškodovana. Če najdete poškodbo, povejte to dostavljalvcu še preden prevzamete paket in si pridržite pravico za kompenzacijo škode.

Dosledno sledite navodilom na embalaži, ko boste odpakirali napravo.

Preverite embalažo in se prepričajte, da so vključeni naslednji elementi:

1. Hitri vodič za tehnično dokumentacijo
2. Seznam delov (*)
3. Akumulatorski priključek.
4. Priročnik za elektronski polnilec akumulatorskega priključka (če je nameščen) (*)

VARNOST

Naslednji simboli opozarjajo na potencialno nevarne situacije. Te informacije preberite pozorno in upoštevajte potrebne varnostne ukrepe za zaščito ljudi in imetja.

VIDNI SIMBOLI NA NAPRAVI**OPOZORILO!**

Pozorno preberite vsa navodila, preden izvajate dela na napravi.

**OPOZORILO!**

Ne perite naprave z neposrednimi curki ali curki pod pritiskom.

**OPOZORILO!**

Ne uporabljajte naprave na pobočjih z naklonom, ki presega tistega, ki je zapisan v specifikaciji.

SIMBOLI, KI SE UPORABLJAJO NA HITREM VODIČU**NEVARNOST!**

Opozarja na nevarno situacijo s smrtnim tveganjem operaterja.

**OPOZORILO!**

Opozarja na pogojno tveganje poškodb ljudi.

**POZOR!**

Opozarja na previdnost ali pozornost na pomembne ali uporabne funkcije. Bodite pozorni na odstavke, ki so označeni s tem simbolom.

**OPOMBA**

Opozarja na previdnost ali pozornost na pomembne ali uporabne funkcije.

**POSVETOVANJE**

Kaže na potrebo po posvetovanju s hitrim vodičem, preden izvedete katero koli proceduro.

SPLOŠNA VARNOSTNA NAVODILA

Spodaj so prikazana posebna opozorila in previdnosti za obveščanje o morebitnih poškodbah ljudi in naprav.

**NEVARNOST!**

- To napravo mora upravljati samo usposobljeno in pooblaščen osebje, glede na vodila v tem priročniku.
- Pred čiščenjem, vzdrževanjem, popravilom in zamenjavami, previdno preberite ta navodila, ugasnite napravo in izključite akumulatorski priključek.
- Naprave ne uporabljajte v bližini strupenih, nevarnih, vnetljivih in/ali eksplozivnih praškov, tekočin ali hlapov. Ta naprava ni primeren za sesanje nevarnih vrst prahu.
- Ob bližnjem srečanju z električnimi komponentami stroja, ne nosite nakita.
- Ne delajte pod dvignjeno napravo, brez uporabe varnostnih stojal.
- Ob uporabi svinčenih (mokrih) akumulatorje, le-te ob normalni uporabi oddajajo vnetljiv plin, zato ne približujte vse iskrenje, plamene, dimne materiale in sevanje, osvetljevalne in vnetljive predmete.
- Ob polnjenju svinčenih (mokrih) akumulatorje, le-te lahko oddajajo vodikov plin, ki lahko povzroči eksplozijo. Poskrbite, da je polnilna okolica dobro prezračena in da v njej ni golih plamenov.

**OPOZORILO!**

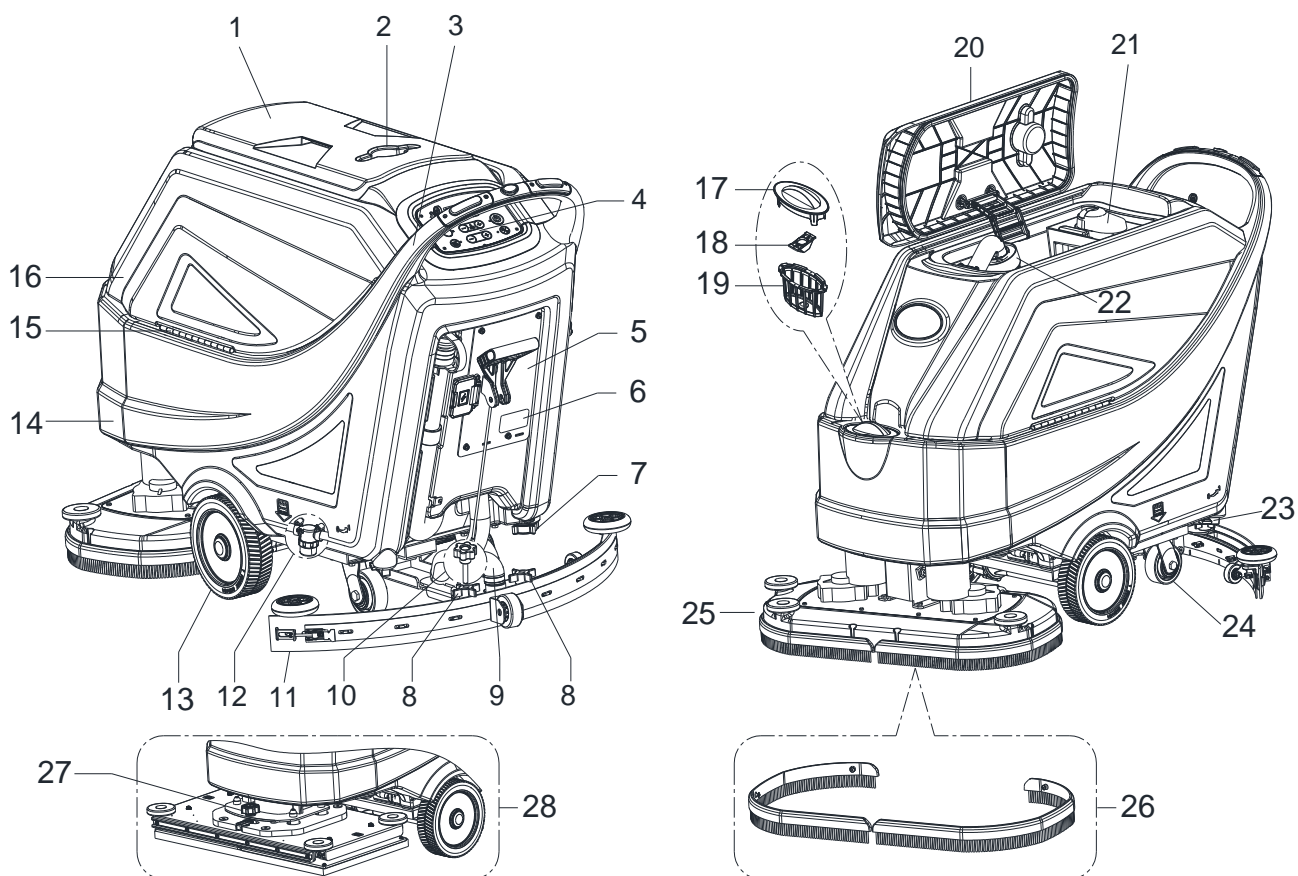
- Stroj je namenjen **KOMERCIALNI UPORABI**, na primer v hotelih, šolah, bolnišnicah, tovarnah, trgovinah, pisarnah in izposojevalnicah.
- Naprave, ki niso pod nadzorom, je treba pritrditi zaradi nenamernega gibanja.
- Da bi preprečili nepooblaščen uporabo stroja, mora biti vir napajanja izklopljena ali zaklenjen, na primer, tako da odstranite ključ glavnega stikala ali vžigalni ključ.
- Pred uporabo previdno preglejte napravo. Preverite, ali so vse komponente pred uporabo pravilno sestavljene. Ali lahko povzročijo poškodbe ljudi in imetja.
- Pred uporabo akumulatorskega polnilca se prepričajte, da so vrednosti frekvence in napetosti na serijski številki stroja iste tistim na omrežju.
- Nikoli ne premikajte naprave z vlečenjem polnilnega kabla akumulatorja. Ne zapirajte kabla med vrata, niti ga ne speljajte preko ostrih robov ali vogalov. Naprave ne premikajte preko polnilnega kabla akumulatorja. Polnilni kabel akumulatorja naj ne bo v bližini grelnih površin.
Ne polnite akumulatorja, če sta polnilni kabel baterije ali priključek, poškodovana.
- Da bi zmanjšali tveganje požara, električnega udara ali poškodbe, se prepričajte, da je naprava ugasnjena, preden jo zapustite.
- Uporabljajte in hranite napravo v notranjih prostorih v suhih razmerah, naprave ni dovoljeno uporabljati na prostem.
- Temperatura za shranjevanje in delovna temperatura naprave mora biti med 0 °C in +40 °C, vlažnost zraka mora biti med 30 %–95 %.
- Ne uporabljajte naprave na pobočjih z naklonom, ki presega tistega, ki je zapisan v specifikaciji.
- Ob uporabi in pri rokovanju s čistilnimi detergenti za tla, sledite navodilom na oznakah steklenic detergenta ter nosite primerne rokavice in zaščito.
- Uporabite ščetke in blazinice, ki so prispale z napravo ali pa so določene v priročniku. Uporaba drugih ščetk ali blazinic lahko zmanjša varnost.
- V primeru napačnega delovanja naprave se prepričajte, da do tega ni prišlo zaradi nezadostnega vzdrževanja. Če je potrebno, zaprosite za pomoč pooblaščen osebje ali pooblaščen servisni center.
- Pazite, da se lasje, nakit ali ohlapna oblačila ne ujamejo v premikajoče dele naprave.
- Ne uporabljajte naprave v posebej prašnih področjih.

- Ne perite naprave z neposrednimi curki ali curki pod pritiskom, ali s korozivnimi substancami.
- Naprave ne približujte policam ali odrom, še posebej tam, kjer obstaja možnost padanja predmetov.
- Ne prislanjajte steklenic s tekočinami na stroj, za to uporabite primerno držalo.
- V izogib poškodbe tal pazite, da ščetka/blazinica ne deluje, medtem ko naprava miruje.
- V primeru požara, uporabite gasilnik s suhim prahom. Ne uporabljajte gasilnikov na tekočino.
- Ne odstranjajte ali spreminjajte nalepk na napravi.
- Ne posegajte v varnostne mehanizme naprave in strogo sledite običajnim vzdrževalnim navodilom.
- Bodite pozorni, kadar je med prevozom stroja, temperatura pod lediščem. Voda v zbiralni posodi in v ceveh lahko zmrzne in povzroči resne poškodbe stroja.
- Če je potrebno zamenjati rezervne dele, naročite ORIGINALNE rezervne dele pri pooblaščenih prodajalcih.
- Napravo vrnite v servisni center, če ne deluje, kot bi morala ali je poškodovana, se nahaja zunaj na prostem, ali je bila potopljena v vodo.
- Za pravilno in varno delovanje naprave, je potrebno izvajati predvideno vzdrževanje, kot je zapisano v poglavju o vzdrževanju v tem priročniku, ki ga mora izvesti pooblaščen osebje ali pooblaščen servisni center.
- Napravo je potrebno odvreči na pravilni način, zaradi strupenih materialov (akumulatorja, itd.), ki po standardih zahtevajo odlaganje v posebnih centrih (glej poglavje Odstranitev naprave).
- Ta naprava je namenjena samo čiščenju in nobenemu drugemu namenu.
- Odprtine naj bodo zmeraj čiste, brez prahu, las ali drugih tujkov, ki bi zmanjšali pretok zraka. Ne uporabljajte stroja, če so odprtine zamašene.
- To napravo uporabite samo, kjer je dovolj svetlo.
- Naprave naj ne uporabljajo osebe (vključno z otroci) z zmanjšanimi telesnimi, zaznavnimi in umskimi sposobnostmi, ali s pomanjkanjem izkušenj in znanja.
- Ob uporabi v bližini otrok je potrebna posebna pozornost.
- Otroke je potrebno imeti pod nadzorom, da se ne igrajo z napravo.
- Med uporabo te naprave pazite, da ne boste poškodovali ljudi ali predmetov.
- Otroci ne smejo izvajati čiščenja in vzdrževanja brez nadzora.

OPIS NAPRAVE

STRUKTURA NAPRAVE (kot prikazano na Sliki 1)

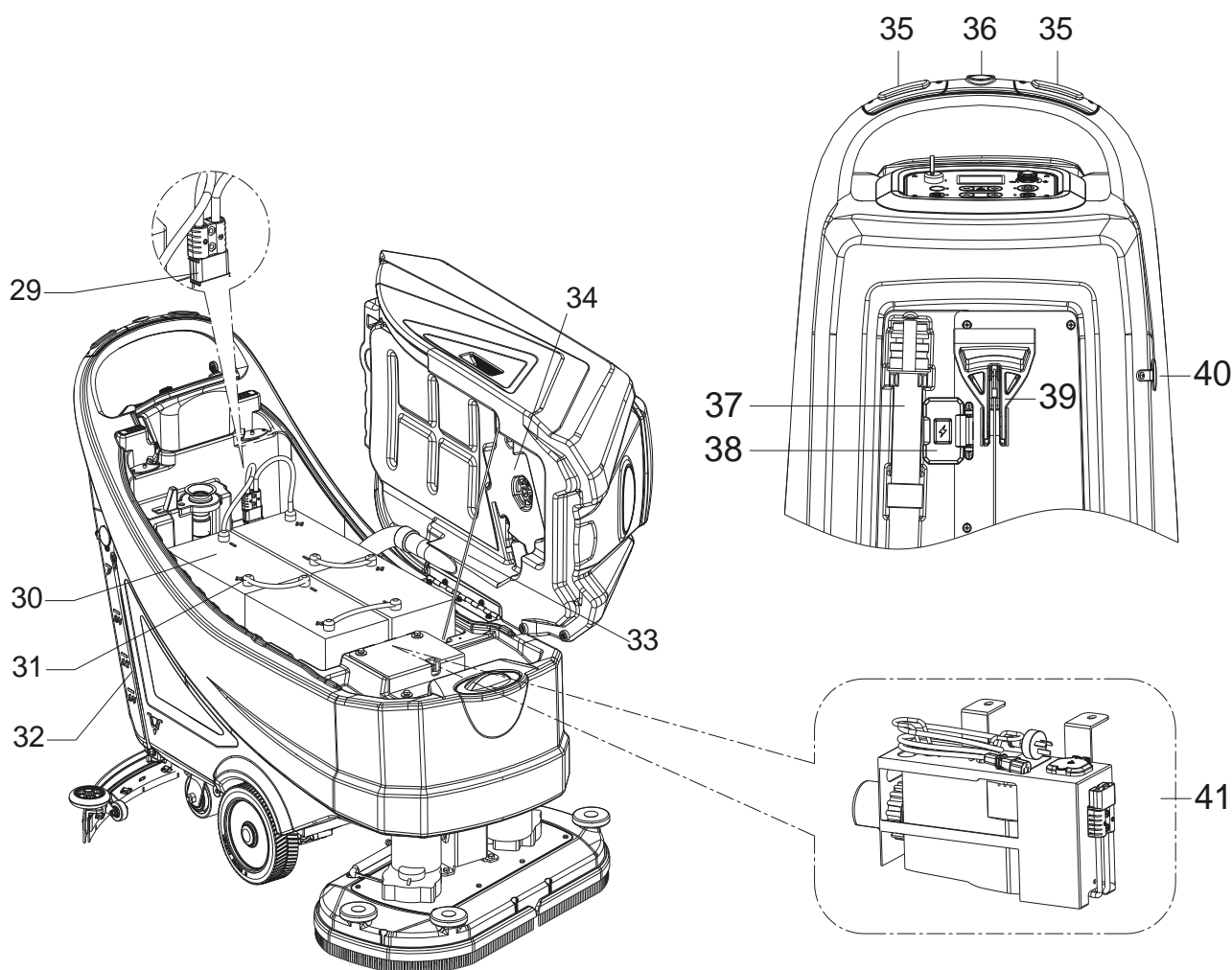
1. Pokrov zbiralne posode
2. Držalo za dozo
3. Krmilo
4. Nadzorna plošča
5. Nadzorna omarica
6. Ploščica s serijsko številko/tehničnimi podatki
7. Pokrovček za vtičnico
8. Gumbi za brisalec
9. Sesalna cev brisalca
10. Gumb za prilagajanje ravnotežja brisalca
11. Brisalec
12. Filter za raztopino
13. Pogonska kolesa
14. Posoda z raztopino
15. Tečaj
16. Zbiralna posoda
17. Pokrov filtra
18. Držalo za cev za natakanje
19. Podpora filtra
20. Tesnilo pokrova posode
21. Škatla za zbiranje delcev
22. Plovni filter
23. Pipa za raztopino/čisto vodo
24. Zadnja krmilna kolesa
25. Sistem ščetk (samo za naprave z diskom)
26. Zaščita pred škropljenjem
27. Gumb za prilagajanje orbitalne glave
28. Orbitalni sistem (samo za orbitalne naprave)



Slika 1

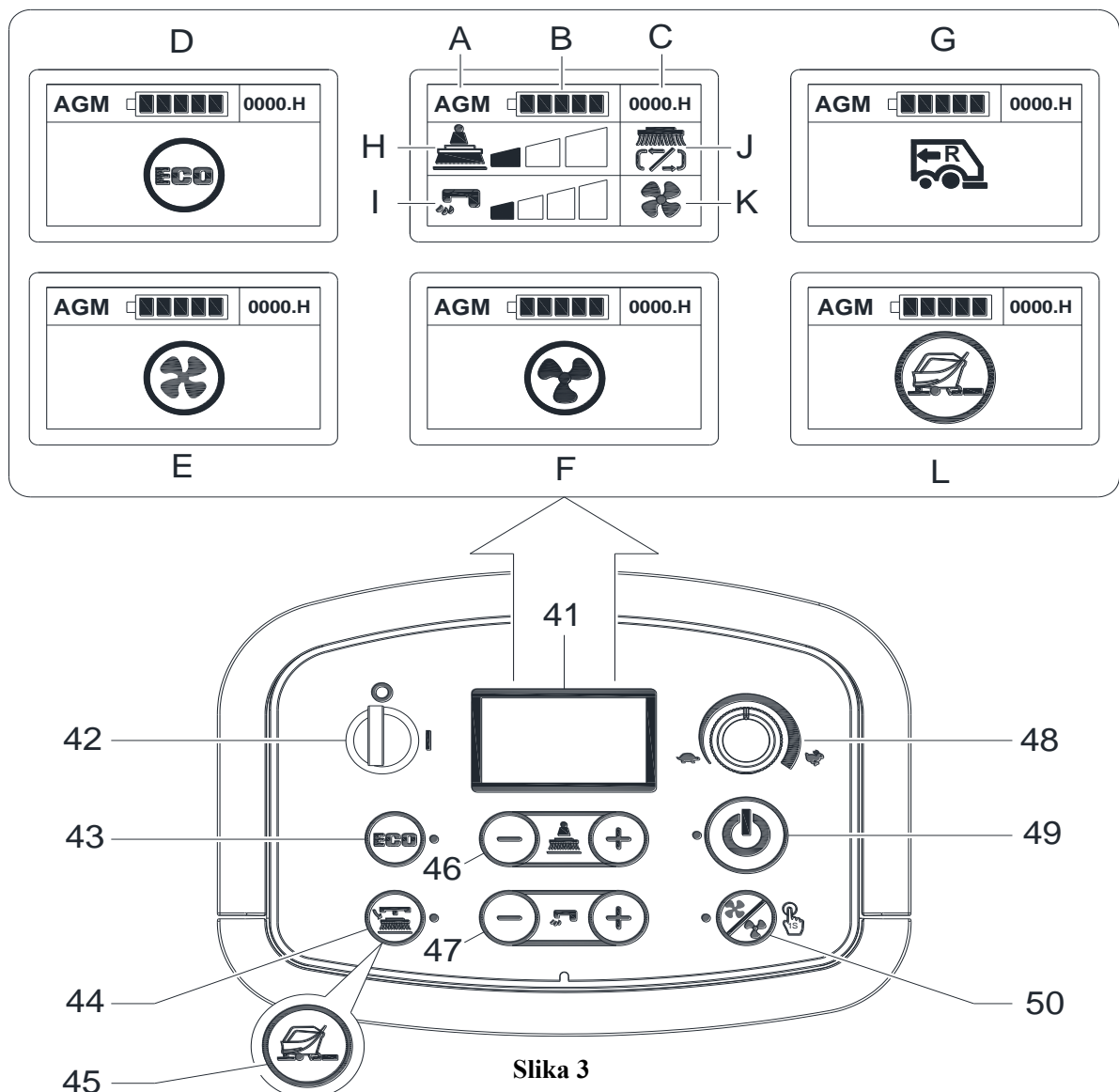
STRUKTURA NAPRAVE (kot prikazano na Slika 2)

- | | |
|--------------------------------------|---|
| 29. Akumulatorski priključek (rdeči) | 36. Vzratno stikalo naprave |
| 30. Akumulatorji (*) | 37. Drenažna cev za zbiralno vodo |
| 31. Pokrovi akumulatorja | 38. Varnostni pokrov polnilnega priključka |
| 32. Indikatorska cev za nivo vode | 39. Ročica za dviganje/spuščanje brisalca |
| 33. Varnostni kabel posode | 40. Pokrov stranske posode za polnjenje raztopine |
| 34. Sesalni sistem | 41. Vgrajen polnilec (*) |
| 35. Varnostno stikalo | (*): Izbirno |

**Slika 2**

NADZORNA PLOŠČA (kot prikazano na Sliki 3)

41. Večfunkcijski prikazovalnik
Prikazani elementi:
- A) Vrsta akumulatorja
 - B) Stopnja napoljenosti akumulatorja
 - C) Oddelanih ur
 - D) Način ECO
 - E) Normalni način sesanja
 - F) Tihi način sesanja
 - G) Vzratni način
 - H) Aktivni dodatni pritisk
 - I) Količina pretoka raztopine detergenta
 - J) Delovni način ščetke
 - K) Način sesalca
 - L) Način priprave tal
42. Vžigalni ključ (0 - I)
43. Gumb za način ECO
- Prižgana LED-lučka – spodnja funkcija aktivirana
 - pretok vode na minimumu (nivo 1)
 - pritisk na minimumu (nivo 1)
 - Sesalec v tihem načinu
44. Gumb za sprostitvev držala ščetke/blazinice (samo za naprave z diskom)
- Utripajoča LED-lučka – Sistem za sprostitvev aktiviran
45. Gumb za pripravo tal (samo za orbitalno napravo)
- Potovalna hitrost je prednastavljena na 1 km/h
 - Prižgana LED-lučka – spodnja funkcija aktivirana
 - pretok vode na minimumu (nivo 1)
 - pritisk na maksimumu (nivo 3)
 - Sesalec v normalnem načinu
46. Gumb za prilagajanje pritiska ščetke
47. Gumb za prilagajanje pretoka raztopine
48. Regulator hitrosti
49. Zagon z enim gumbom
- Prižgana LED-lučka – spodnja funkcija aktivirana
 - minimum vodnega sistema (nivo 1)
 - pritisk na minimumu (nivo 1)
 - normalni sesalni sistem
50. Gumb za prilagajanje sesalnega sistema (za aktivacijo pritisnite in zadržite gumb 1 sekundo)
- Prižgana LED-lučka – normalni način
 - Utripajoča LED-lučka – tihi način



Slika 3

TEHNIČNI PARAMETRI

Vrsta parametra	ENOTE	Model		
		AS6690T	AS7690T	AS7190TO
Kapaciteta posode z raztopino	L/Gal	85 L/22 Gal.		
Kapaciteta zbiralne posode	L/Gal	90 L/24 Gal.		
Dolžina naprave	mm/in	1490 mm/ 59 inč	1550 mm/ 61 inč	1490 mm/ 59 inč
Širina naprave z brisalcem	mm/in	830 mm/33 inč	950 mm / 38 inč	
Širina naprave brez brisalca	mm/in	730 mm/29 inč	830 mm/33 inč	750 mm/30 inč
Višina naprave	mm/in	1020 mm/40,2 inč		
Delovna širina	mm/in	660 mm/26 inč	760 mm/30 inč	710 mm/28 inč
Premer pogonskega kolesa	mm/in	230 mm/9 inč		
Določen pritisk pogonskega kolesa na tla	N/mm ²	0,67 N/mm ²		
Premer zadnjega kolesa	mm/in	101 mm/4 inč		
Določen pritisk zadnjega kolesa na tla	N/mm ²	0,82 N/mm ²		
Premer ščetke/blazinice	mm/in	330 mm x 2 / 13 inč x 2	380 mm x 2 / 15 inč x 2	355x710 mm / 14X28 inč
Pritisk ščetke/blazinice (največ)	Kg/Lbs.	32 Kg/71 Lbs 41 Kg/90 Lbs 49 Kg/108 Lbs	35 Kg/77 Lbs 43 Kg/95 Lbs 51 Kg/112 Lbs	42 Kg/93 Lbs 54 Kg/120 Lbs 65 Kg/143 Lbs
Pretok raztopine (največ) na nastavitve	L/Gal na minuto	(0,9/1,5/2,2/3) litrov (0,24/0,39/0,58/0,79) galon		(0,6/1,1/1,9/2,5) litrov (0,16/0,29/0,5/0,66) galon
Raven zvočnega tlaka	dB(A)	69 ± 3 dB (A)		
Raven zvočnega tlaka v načinu ECO ali v tišem načinu	dB(A)	65 ± 3 dB (A)		
Nivo vibracije ročaja (največ)	m/s ²	< 2,5 m/s ²		
Zmožnost vožnje v klanec (največ)	% naklon	2%		
Min. obrat v prehodu	cm/inč	155 cm/61 inč	165 cm/65 inč	160 cm/63 inč
Moč pogonskega motorja	vat/KM	250 W/0,33 KM		
Delovna hitrost	Km/milj na uro	0–4,0 Km / 0–2,5 milj na uro		0–3, 2 Km / 0–2,0 milj na uro
Hitrost naprej	Km/milj na uro	0–4,0 Km / 0–2,5 milj na uro		
Hitrost vzvratno	Km/milj na uro	0–2,0 Km / 0–1,25 milj na uro		
Moč sesalnega motorja	vat/KM	500 W/0,66 KM		
Zmogljivost sesalca	mm/In za H ₂ O	1500 mm/60 inč za H ₂ O		
Zmogljivost sesalca v načinu ECO ali v tišem načinu	mm/In za H ₂ O	900 mm/35 inč za H ₂ O		
Moč motorja ščetke	vat/KM	500 x 2 vatov/0,66 x 2 KM		750 vatov/1,0 KM
Hitrost ščetke v normalnem načinu	vrt./min.	200 vrt./min.		2200 vrt./min.
Hitrost ščetke v načini ECO	vrt./min.	160 vrt./min.		1600 vrt./min.
Raven zaščite IP	IP	IP24		
Velikost predelka akumulatorja z nevgrajenim polnilcem (D x Š x V)	mm/in	(620 x 385 x 390) mm / 24,4 x 15,1 x 15,3 inč		
Velikost predelka akumulatorja z vgrajenim polnilcem (D x Š x V) (*)	mm/in	(535 x 385 x 390) mm / 21 x 15,1 x 15,3 inč		
Voltaža	Enosmerni tok	24 V		
Akumulatorji (*)	Ah	Se ne uporablja		
Čas delovanja akumulatorja (Standardni akumulatorji) (*)	Ur	Do 4 ure		
Vgrajen polnilce (*)	voltov/amperov	24V 25A		
Produktivnost (največ)	m ² /h	2640 m ² /h	3040 m ² /h	2272 m ² /h
Teža naprave s praznimi posodami (brez akumulatorjev)	Kg/Lbs.	135 Kg/298 Lbs	138 Kg/304 Lbs	148 Kg/326 Lbs
Bruto teža vozila (GVW)	Kg/Lbs.	347 Kg/765 Lbs	350 Kg/772 Lbs	360 Kg/794 Lbs
Odpremna teža	Kg/Lbs.	202 Kg/444 Lbs	205 Kg/451 Lbs	215 Kg/473 Lbs
Dimenzije embalaže (D x Š x V)	mm/in	(1620 x 810 x 1200 mm) / (64 x 32 x 48 inč)	(1660 x 910 x 1200 mm) / (66 x 36 x 48 inč)	

(*) : Izbirno

OBRATOVALNI VODIČ

**OPOZORILO!**

Na nekaterih delih naprave se nahajajo samolepilne ploščice, ki kažejo na:

- NEVARNOST!
- OPOZORILO!
- POZOR!
- POSVETOVANJE

Operater naj ob prebiranju tega vodiča posveti posebno pozornost simbolom, prikazanim na ploščicah. Ne prekrivajte teh ploščic iz katerega koli razloga in jih nemudoma zamenjajte v primeru poškodbe.

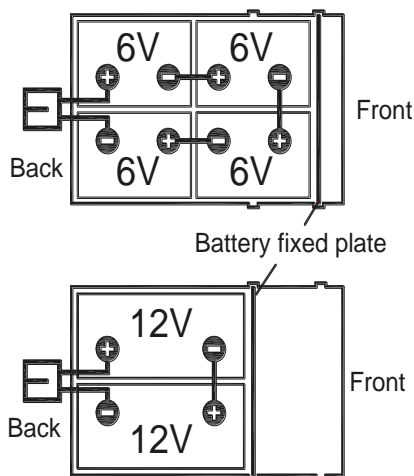
PREVERBA AKUMULATORJA/NAMESTITEV V NOVI NAPRAVI

**OPOZORILO!**

Elektronske komponente naprave se lahko resno poškodujejo, če akumulator ni pravilno nameščen ali priključen. Akumulator mora namestiti samo usposobljeno osebo. Nastavite funkcijo elektronske plošče in vgrajenega akumulatorskega polnilca, glede na tip uporabljenega akumulatorja (WET ali GEL/AGM). Pred namestitvijo preverite, ali je akumulator poškodovan. Izključite priključek akumulatorja in priklop akumulatorskega polnilca. Z akumulatorjem ravnajte zelo previdno. Namestite zaščitne čepke akumulatorskega terminala, ki so dobavljeni z napravo.

Akumulatorji so že nameščeni na napravo

1. Poskrbite, da je priključek akumulatorja (29, Slika 2) priključen.
2. Ko napravo prvič uporabljate z novimi akumulatorji, izvedite celoten cikel polnjenja (glejte postopek v poglavju Vzdrževanje).

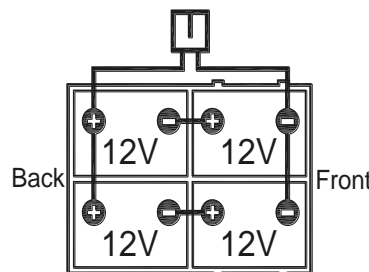


Slika 4

**OPOMBA**

Naprava potrebuje dva 12 V akumulatorja ali štiri 6 V akumulatorje, ki ju priključite skladno s shemo (slika 4).

Pritrdilno ploščo akumulatorja vstavite pravilno (slika 4).

**Brez akumulatorja**

1. Kupite ustrezní akumulator (glejte odstavek »Tehnični podatki«). Glede izbire in namestitve akumulatorja, se obrnite na kvalificirane prodajalce akumulatorjev.
2. Napravo nastavite glede na vrsto nameščenega akumulatorja, kot je prikazano v ključnem odseku Super uporabnik, v poglavju Vzdrževanje.

NAMESTITEV AKUMULATORJA IN NASTAVITEV TIPA AKUMULATORJA (WET OR GEL/AGM OR DIS OR ENES)

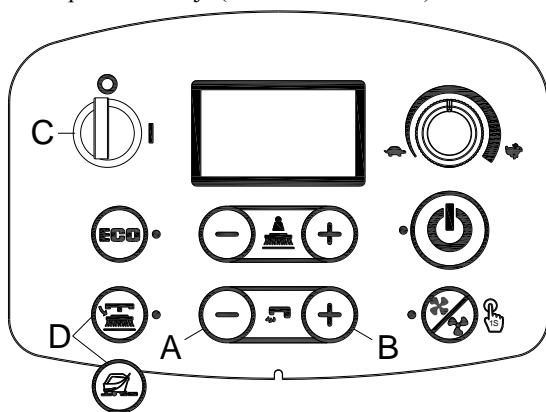
Namestitev akumulatorja

1. Odprite pokrov zbiralne posode (1, Slika 1) in preverite, da je zbiralna posoda (16) prazna; sicer jo izpraznite z drenažno cevjo. (37, Slika 2)
2. Zaprite pokrov zbiralne posode (1, Slika 1).
3. Previdno dvignite zbiralno posodo (16, Slika 1).
4. Naprava je dobavljena s kabli, ki so primerni za namestitev dveh 12 V akumulatorjev ali štirih 6 V akumulatorjev. Previdno vstavite akumulatorja v za to primeren prostor, nato ju primerno namestite. Pritrdilno ploščo akumulatorja vstavite pravilno (slika 4).
5. Potegnite in namestite kabel akumulatorja, kot je prikazano (Slika 4) ter nato previdno zategnite matico na vsakem akumulatorskem terminalu.
6. Namestite zaščitno kapico na vsak terminal in nato povežite priključek akumulatorja (29, Slika 2).
7. Previdno spustite zbiralno posodo (16, Slika 1).

Nastavitev tipa akumulatorja (WET OR GEL/AGM OR DIS OR ENES)

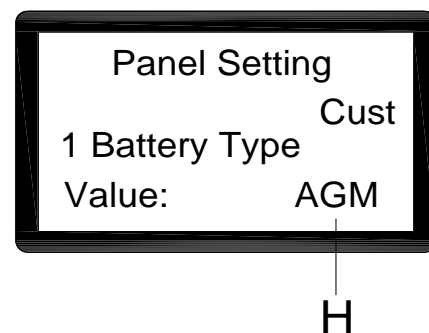
Dostop za izbiro načina akumulatorja

Glede na tip akumulatorja (WET ali GEL/AGM) nastavite napravo na sledeč način:



Slika 5

Access to select battery mode



Slika 6

1. Istočasno pritisnete gumb za pretok vode »+« (A, Slika 5) in »-« (B, Slika 5).
2. Vstavite vžigalni ključ (C, Slika 5) in ga obrnite na »I«.
3. Nekaj sekund pozneje vstopite na zaslon za izbiro načina akumulatorja (Slika 6)
4. Pritisnite gumb za pretok vode »-« (A, Slika 5) in »+« (B, Slika 5), da izberete način akumulatorja (H, Slika 6)
5. Pritisnite gumb za sprostitev za različico diska ali gumb za pripravo tal za orbitalno različico (D, slika 5), 3 sekunde zatem se prikaže »Posodobitev v redu«, kar pomeni, da je nastavitev uspešna ter vključite za ponovni zagon. (C, Slika 5)

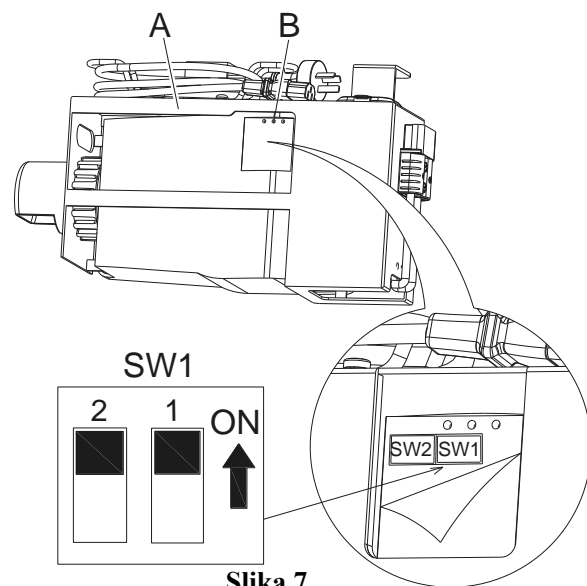
Nastavitev polnilca akumulatorja (samo za vgrajen polnilec, če je nameščen)



OPOZORILO!

Polnilca ne nastavljajte, če niste strokovno usposobljeni

1. Napravo izklopite in razstavite vgrajeni polnilec (A, Slika 7) iz naprave. Nato odprite oznako na pokrovu polnilca (B, Slika 7). V akumulatorju boste našli 2 niza DIP stikal (SW1 in SW2).
2. Samo niz DIP stikal SW1 (na levi strani) ima učinek na izbiro krivulje polnjenja skladno s spodnjo tabelo.



Slika 7

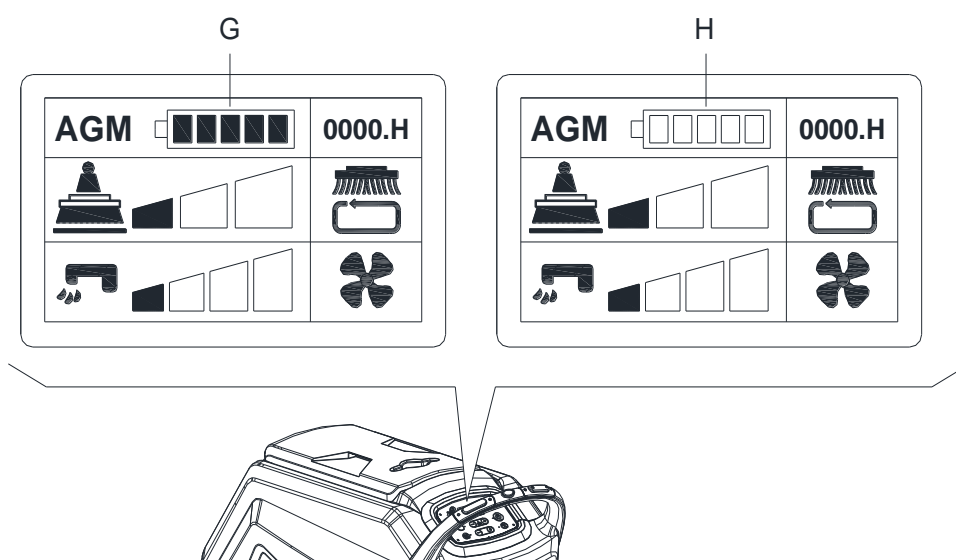
DP1	DP2	KRIVULJA POLNJENJA
VKLOPLJENO	IZKLOPLJENO	IUIa-ACD za svinčevo-kislinske (WET) akumulatorje
IZKLOPLJENO	IZKLOPLJENO	IUIa-GEL za GEL akumulatorje proizvajalcev Exide-Sonnenschein
IZKLOPLJENO	VKLOPLJENO	IUU0-GEL za HAZE GEL in AGM akumulatorje drugih proizvajalcev
VKLOPLJENO	VKLOPLJENO	IUIUa-AGM za Discover AGM akumulatorje

Polnjenje akumulatorja

Akumulatorje popolnoma napolnite (glejte postopek v poglavju Vzdrževanje).

Praznjenje akumulatorja

Kadar je napolnjenost akumulatorja polna (G, Slika 8), akumulator omogoča, da naprava normalno deluje. Kadar je napolnjenost akumulatorja nizka (H, Slika 8) je treba akumulatorje napolniti. Nekaj sekund zatem ko se pokaže nizka napolnjenost akumulatorja, se držalo ščetke/blazinice samodejno izklopi, medtem ko pogonski sistem ostane vključen. Napravo takoj zapeljite na dodeljeno območje za polnjenje.



Slika 8



POZOR!

Ko so akumulatorji prazni, jih napolnite takoj kot je to mogoče, saj takšno stanje skrajša njihovo življenjsko dobo. Vsaj enkrat na teden preverite napolnjenost akumulatorja.

NAMESTITEV IN ODSTRANITEV ŠČETKE/DRŽALA BLAZINICE (samo za naprave Z diskom)



OPOMBA

Namestite ščetko (A, Slika 9) ali držalo blazinice (B in C, Slika 9) glede na tip tal za čiščenje.



POZOR!

Pred namestitvijo ali odstranitvijo ščetke ali držala blazinice, se prepričajte, da so vsa stikala na napravi v izklopljenem položaju in da je brisalec dvignjen s tal. Operater mora biti opremljen s primerno osebno zaščitno opremo, kot so rokavice, da zmanjša možnost nesreč.

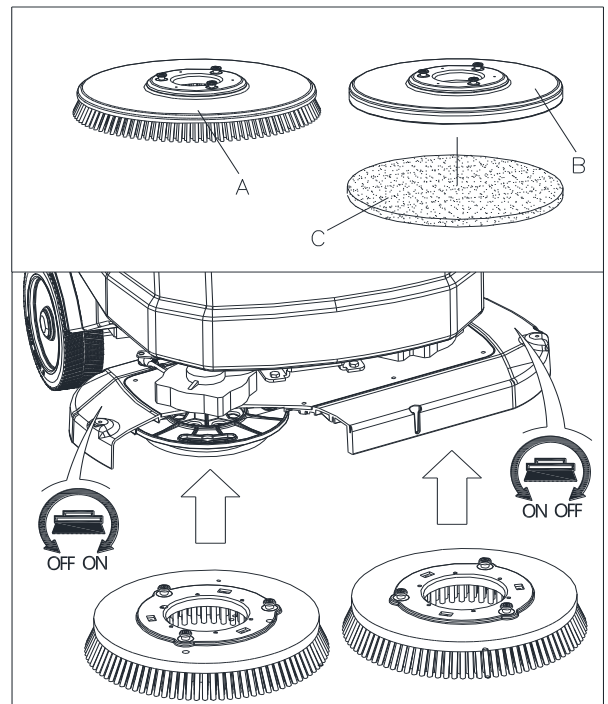
Nadaljujte na sledeč način:

NAMESTITEV:

1. Vstavite vžigalni ključ (42, Slika 3) in ga obrnite na »I«. Dvignite krov. Napravo izklopite tako, da odstranite vžigalni ključ (42).
2. Regulator hitrosti (48) obrnite na prosti tek, tako da ga obrnete v nasprotni smeri urinega kazalca.
3. Nastavite ščetke (A, Slika 9) ali držalo blazinice (B) pod krov.
4. Uporabite ročno metodo tako, da obrnete ščetke/držalo blazinice v smer, ki je nasprotna običajni smeri obračanja, in tako omogočite namestitev. (kot prikazano na Sliki 9).

ODSTRANITEV:

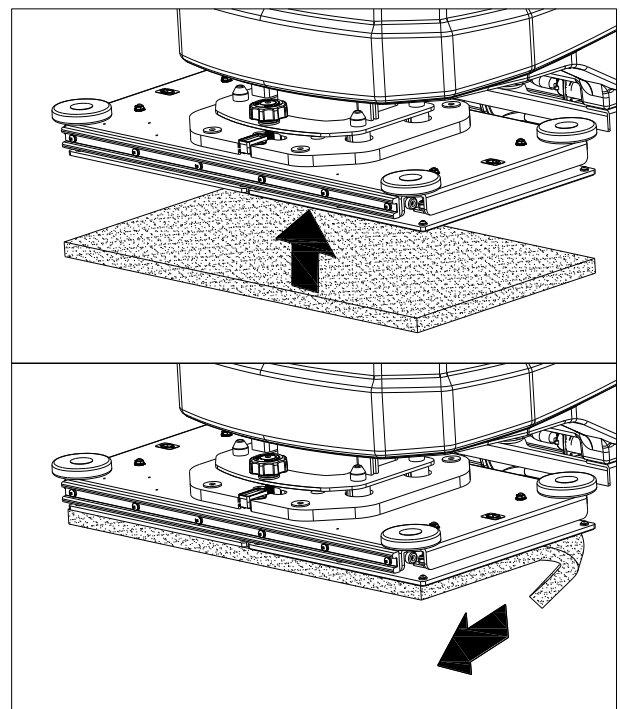
1. Vstavite vžigalni ključ (42, Slika 3) in ga obrnite na »I«. Za odstranitev ščetke/držala blazinice, dvignite krov s pritiskom gumba za sprostitev ščetke/držala blazinice (44) in ščetka/držalo blazinice se samodejno sprosti.



Slika 9

NAMESTITEV IN ODSTRANITEV BLAZINICE (samo za orbitalne naprave)

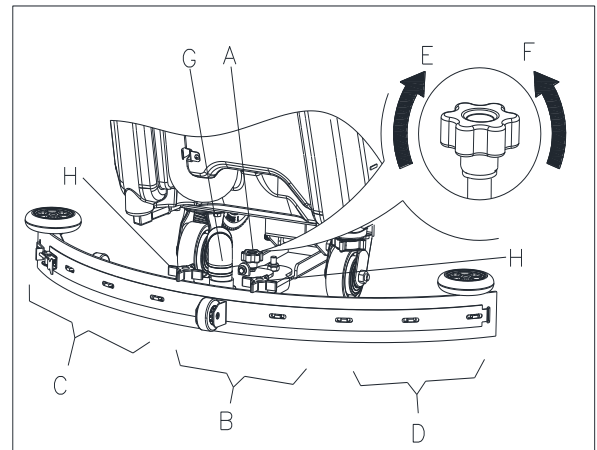
1. Vstavite vžigalni ključ (42, Slika 3) in ga obrnite na »I«. Dvignite krov. Napravo izklopite tako, da odstranite vžigalni ključ.
2. Uporabite ročno metodo za namestitev ali odstranjevanje blazinice (Slika 10)



Slika 10

PRILAGAJANJE RAVNOTEŽJA BRISALCA

1. Namestite brisalec in zategnite matice (H, Slika 11), nato priključite sesalno cev (G) na brisalec.
2. Prilagodite brisalec s prilagodljivo ročico brisalca (A, Slika 11).
 - a) Če je med tlemi in srednjim delom zadnjega rezila brisalca (B) še kaj prostora, prilagodite gumb (A) v nasprotni smeri urinega kazalca (F), dokler se vsi deli zadnjega dela rezila brisalca dobro ne stikajo s tlemi, prednje rezilo pa se samo rahlo dotakne tal.
 - b) Če je med tlemi in obema končnima deloma zadnjega rezila brisalca (C in D) vrzel, prilagodite gumb (A) v smeri urinega kazalca (E), dokler se vsi deli zadnjega dela rezila brisalca dobro ne stikajo s tlemi, prednje rezilo pa se samo rahlo dotakne tal.



Slika 11

POLNJENJE POSODE Z RAZTOPINO

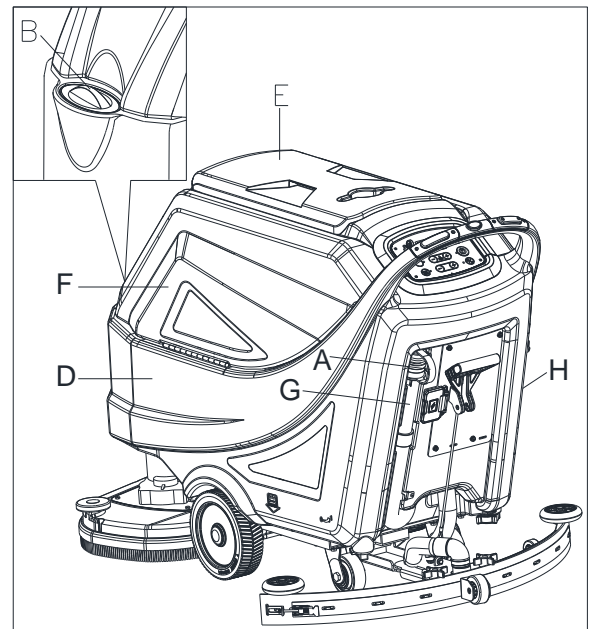
1. Odprite pokrov dovoda vode (B, Slika 12).
2. Skozi dovod vode s filtrom napolnite vodo ali raztopino, primerno za delo.
Temperatura raztopine ne sme preseči +104F (+40°C).
3. Posode ne napolnite preveč in pri tem upoštevajte indikator za nivo vode (H) za prostornino vode.

**OPOZORILO!**

Uporabite samo nevetljive detergente z nizko peno za samodejno uporabo strgala.

ZAGON IN ZAUSTAVITEV NAPRAVE**Zagon naprave**

1. Pripravite napravo, kot je prikazano v prejšnjem odstavku.
2. Vstavite vžigalni ključ (A, Slika 13) in ga obrnite na »I«. Preverite stanje akumulatorja na zaslonu prikazovalnika. Po potrebi akumulatorje popolnoma napolnite (glejte postopek v poglavju Vzdrževanje).
3. Zapeljite napravo do delovnega območja:
 - S pritiskom na varnostno stikalo (F) za premikanje naprej ali pa s sočasnimi pritiskom na varnostno stikalo (F) in vzvratno stikalo (G) za premikanje nazaj. Hitrost za naprej se lahko regulira z regulatorjem (H).
4. Brisalec (I) spustite s pomočjo ročice za dvigovanje/spuščanje brisalca (J).
5. Spustite krov ščetke/držala blazinice (K) s pritiskom na zagon z enim gumbom (L).
6. Po potrebi pritisnite nadzorne gumbke za pretok raztopine (O), odvisno od tipa čiščenja, ki ga želite izvesti.
7. Začnite čistiti:
 - Pritisnite katero koli varnostno stikalo (F), da aktivirate pogon naprave. Po potrebi lahko hitrost prilagajate z regulatorjem hitrosti (H).



Slika 12

**OPOMBA**

Za premik naprave naprej, pritisnite levo ali desno varnostno stikalo (F, Slika 13) ali obe.

Zaustavitev naprave

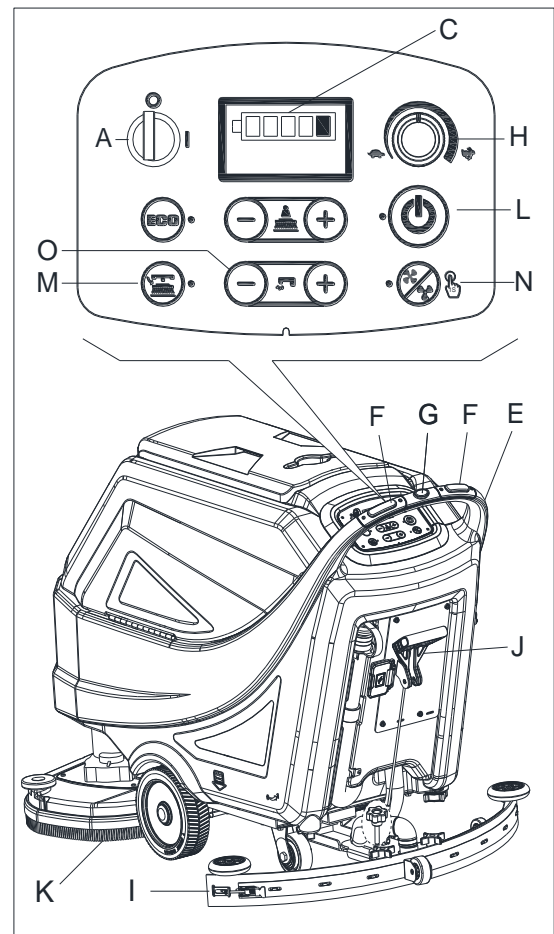
8. Napravo zaustavite tako, da varnostna stikala spustite (F, Slika 13).
9. Ščetke se zaustavijo. Sesalni sistem se ustavi po nekaj sekundah.
10. Dvignite krov ščetke/držala blazinice (K) s pritiskom na zagon z enim gumbom (L).
11. Brisalec (I) dvignite s pomočjo ročice za dvigovanje/spušcanje brisalca (J).
12. Obrnite vžigalni ključ (A) na »0«.
13. Prepričajte se, da se naprava ne more premikati neodvisno.

ROKOVANJE Z NAPRAVO (ČIŠČENJE IN SUŠENJE)

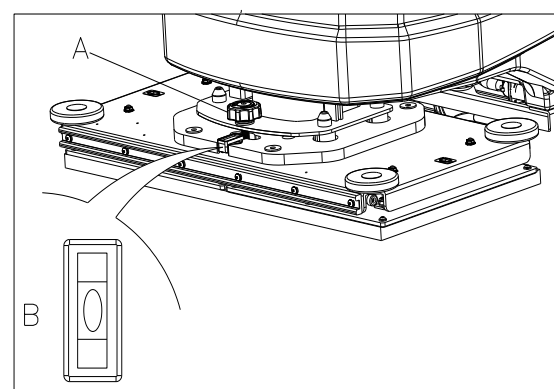
1. Zaženite napravo, kot je prikazano v predhodnih odstavkih.
2. Medtem ko pritisnete na katero koli varnostno stikalo (35, Slika 2), premaknite napravo in pričnite z brisanjem/sušenjem tal.
3. Po potrebi ustavite napravo in prilagodite brisalec glede na odsek »Prilagajanje ravnotežja brisalca«.

PRILAGAJANJE RAVNI ORBITALNEGA KROVA (SAMO ZA ORBITALNE NAPRAVE)

1. Vstavite vžigalni ključ (42) in ga obrnite na »I«.
Spustite krov ščetke/držala blazinice (25) s pritiskom na zagon z enim gumbom (49).
2. Prilagodite raven orbitalnega krova s pomočjo prilagodljive ročice (A, Slika 14) tako, da je mehurček na sredini (B, Slika 14).



Slika 13



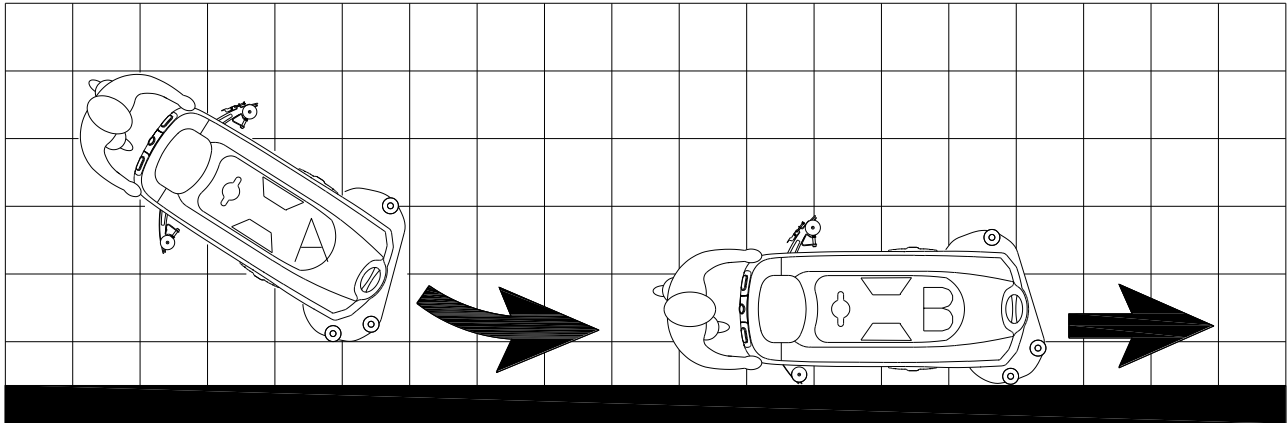
Slika 14

**OPOMBA**

Za pravilno brisanje/sušenje tal ob straneh zidov. Priporočljiva je bližnja vožnja ob stenah z desno stranjo naprave (A in B, Slika 15), kot je prikazano na sliki.

**POZOR!**

V izogib škodi na talni površini, ugasnite ščetke/držala blazinic, ko se naprava ustavi na mestu, posebej ko je vključena funkcija dodatnega pritiska.



Slika 15

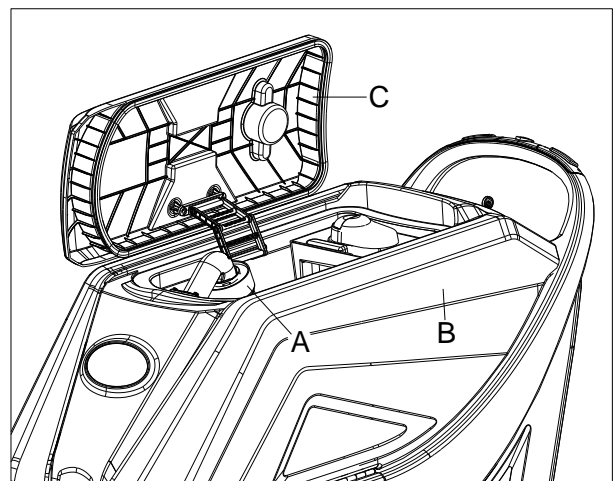
PRAZNJENJE POSODE

Sistem avtomatskega zapiranja toka (A, Slika 16) zablokira sesalni sistem, ko je zbiralna posoda (B) polna. Deaktivacija sesalnega sistema se prikaže kot nenadno povečanje hrupa v motorju sesalnega sistema, prav tako tla niso posušena.

**POZOR!**

Če se sesalni sistem pomotoma ugasne (na primer, ko se plovec aktivira zaradi nenadnega premika naprave), za ponovno vzpostavitev: ugasnite sesalni sistem s pritiskom na stikalo (50, Slika 3), nato odprite pokrov (C, Slika 16) in preverite, da se je plovec v mreži (A) spustil skupaj z nivojem vode. Nato zaprite pokrov (C) in obrnite sesalni sistem s pritiskom na stikalo (50, Slika 3).

Ko je zbiralna posoda z vodo (B, Slika 16) polna, jo izpraznite po sledeči proceduri.



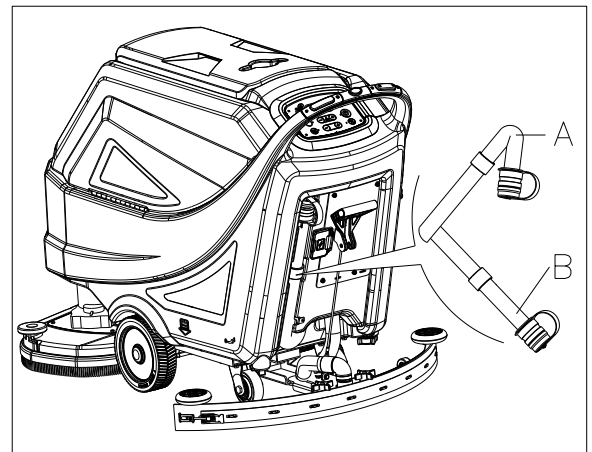
Slika 16

Praznjenje zbiralne posode z vodo

1. Zaustavite napravo.
2. Spustite krov ščetke/držala blazinice (25, Slika 1) s pritiskom na zagon z enim gumbom (49, Slika 3) ali s ponovnim zagonom naprave z vžigalnim ključem (42, Slika 3).
3. Brisalec (11, Slika 1) dvignite z pomočjo ročice za dvigovanje/spuščanje brisalca (39, Slika 2).
4. Zapeljite napravo na določeno odlagališče.
5. S cevjo (A, Slika 17) izpraznite zbiralno posodo z vodo. Nato izperite posodo (B, Slika 16) s čisto vodo.

**POZOR!**

Ob drenaži odpadne vode, mora biti sesalna cev za odpad prepognjena (A, Slika 17) in spuščena na nižji položaj (B, Slika 17) ter nato odprite pokrov sesalne cevi za odpad za drenažo vode. Izpust sesalne cevi za odpad ne sme biti obrnjen navzgor, saj drenaža ne sme potekati vertikalno. To je potrebno narediti, da se izognete iztekanju odpadne vode v operaterja.



Slika 17

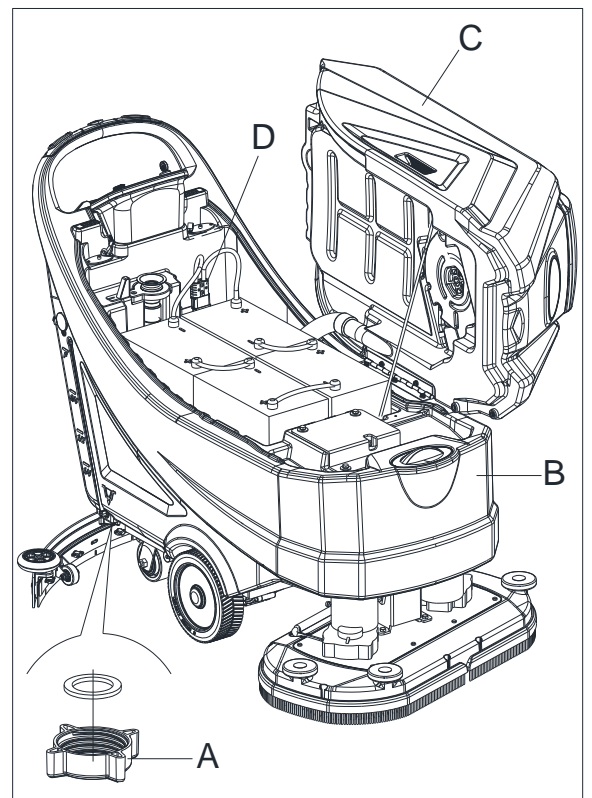
Praznjenje posode z raztopino/čisto vodo.

1. Izpraznite posodo z raztopino skozi pokrov izpusta (A, Slika 18). Po delu očistite posodo s čisto vodo.

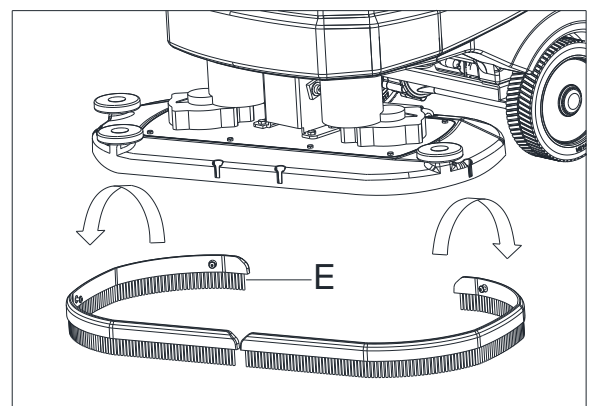
PO UPORABI NAPRAVE

Po delu, preden zapustite napravo:

1. Ščetke/držala blazinic odstranite s pritiskom na gumb za sprostitvev (44, Slika 3) in jih očistite (samo za naprave z diskom).
2. Odstranite zaščito pred škropljenjem (E, Slika 19) in jo očistite. (samo za naprave z diskom)
3. Odstranite blazinico in jo očistite. (samo za orbitalne naprave)
4. Izpraznite posode (B in C, Slika 18), kot je prikazano v prejšnjem odstavku.
5. Izvedite dnevne vzdrževalne procedure (glej poglavje o Vzdrževanju).
6. Napravo hranite v čistem in suhem prostoru, brisalec in ščetke/držalo blazinic pa naj bo dvignjeno ali odstranjeno.



Slika 18



Slika 19

SHRANJEVANJE NAPRAVE MED DALJŠO NEAKTIVNOSTJO

Če naprava ne bo v uporabi več kot 30 dni, ukrepajte na naslednji način:

1. Izvedite procedure, prikazane v odstavku »Po uporabi naprave«.
2. Odklopite akumulatorski priključek (29, Slika 2).

PRVO OBDOBJE UPORABE

Po prvih 8 urah preverite pritrditev naprave in povezovalne dele, ali so pravilno zategnjeni ter preverite vidne dele, ali so obrabljeni in preverite odtekanje.

VZDRŽEVANJE**OPOZORILO!**

Vzdrževalne procedure je potrebno opravljati, ko je naprava ugasnjena in ko je polnilec akumulatorja odklopljen. Poleg tega previdno preberite varnostna poglavja tega priročnika.

Vse planirano in neplanirano vzdrževanje mora opraviti usposobljeno osebje, ali imenovani servisni center našega podjetja. Ta priročnik samo opisuje splošne in skupne vzdrževalne procedure.

Kar se tiče ostalih vzdrževalnih procedur, ki jih ni v spodnji tabeli načrtovanega vzdrževanja, se prosim obrnite na servisni priročnik, ki ga najdete na katerem koli servisnem centru našega podjetja.

TABELA NAČRTOVANIH VZDRŽEVALNIH DEL**POZOR!**

Procedura, označena z (1), mora biti opravljena po tem, ko je naprava prvič več kot 8 ur v uporabi. Procedura, označena z (2) mora biti izvedena s strani servisnega centra, ki je usposobljeno s strani našega podjetja.

Procedura	Dnevno, po vsaki uporabi	Tedensko	Polletno	Letno
Polnjenje akumulatorja				
Čiščenje brisalca				
Čiščenje krtače/držala blazinice				
Čiščenje rezervoarja				
Pregled tesnenja roba rezervoarja				
Čiščenje plovnega filtra				
Čiščenje blazinice				
Čiščenje zaščite pred škropljenjem (samo za naprave z diskom)				
Preverba rezila brisalca in njegova zamenjava				
Čiščenje filtra čistilne vode				
Čiščenje sesalnega filtra				
Preverjanje nivoja tekočine MOKRE akumulatorja				
Pregled zatesnitve vijakov in matic			(1)	
Spodnji izolator (samo za orbitalne naprave)			(2)	
Preverba ali zamenjava motorja ogljikove ščetke				(2)
Preverba ali zamenjava sesalnega motorja ogljikove ščetke				(2)
Preverba ali zamenjava pogonskega sistema motorja ogljikove ščetke				(2)

INLEDNING**FÖRSIKTIGHET!**

Viss allmän och detaljerad maskininformation ingår inte i denna guide.

Se SNABBSTARTSGUIDEN på medföljande CD-ROM som kan läsas med hjälp av Adobe® Reader®.

**OBS!**

Siffrorna inom parentes hänvisar till de komponenter som visas i avsnittet Maskinbeskrivning.

GUIDENS SYFTE OCH INNEHÅLL

Syftet med denna snabbstartsguide är att ge operatören all grundläggande information för att använda maskinen på rätt sätt. För information om tekniska egenskaper, drift, maskininaktivitet, reservdelar och säkerhetsvillkor, se SNABBSTARTSGUIDEN på medföljande CD-ROM.

Innan maskinen används, måste operatörer och kvalificerade tekniker läsa snabbstartsguiden noga. Kontakta vårt företag om du har frågor om anvisningarna eller för ytterligare information.

FÖRVARING AV SNABBSTARTSGUIDEN

Snabbstartsguiden måste förvaras i närheten av maskinen, i en lämplig låda på avstånd från vätskor och andra ämnen som kan orsaka skador på den.

FÖRSÄKRAN OM ÖVERENSSTÄMMELSE

Försäkran om överensstämmelse levereras tillsammans med maskinen och intygar att maskin överensstämmer med gällande lag.

**OBS!**

Kopior av den ursprungliga försäkran om överensstämmelse tillhandahålls tillsammans med maskinens dokumentation.

TILLBEHÖR OCH UNDERHÅLL

Drift, underhåll och reparation måste utföras av kvalificerad personal eller av ett servicecenter som utsetts av vårt företag. ENDAST godkända reservdelar och tillbehör bör användas.

Kontakta vårt företags kundtjänst för tjänster eller köp av tillbehör eller reservdelar.

FÖRÄNDRING OCH FÖRBÄTTRING

Vi åtagit oss att ständigt förbättra våra produkter, och vi förbehåller oss rätten att förändra och förbättra maskinen utan föregående meddelande.

ANVÄNDNINGSSOMRÅDEN

Skrubbern är för kommersiellt och industriellt bruk. Den är lämplig för rengöring av plana och fasta golv, vid drift av kvalificerad personal i säkra förhållanden. Det är inte lämplig för utomhusbruk, mattrengöring eller rengöring av grova golv.

MASKINENS IDENTIFIKATIONSUPPGIFTER

Maskinens serienummer och modellnamn anges på namnskylten.

Denna information är användbar. Använd följande tabell för att skriva ner maskinens identifieringsuppgifter vid förfrågan av reservdelar för maskinen.

MASKINMODELL.....
MASKINENS SERIENUMMER.....

TRANSPORT OCH UPPACKNING

När transportören levererar maskinen, se till att både förpackningar och maskinen är hela och utan skador. Vid eventuella skador, informera transportören om skadornas omfattning och innan du accepterar varorna, kräv ersättning för skadan.

Följ noggrant instruktionerna på förpackningen vid uppackning av maskinen.

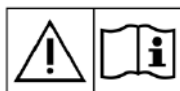
Kontrollera förpackningen för att se till att följande artiklar ingår:

1. Teknisk dokumentation snabbstartsguide
2. Dellista (*).
3. Batterianslutning.
4. Bruksanvisning elektronisk batteriladdare (om installerad) (*)

SÄKERHET

Följande symboler anger potentiellt farliga situationer. Läs alltid informationen noggrant och vidta alla nödvändiga försiktighetsåtgärder för att skydda personer och egendom.

SYNLIGA SYMBOLER PÅ MASKINEN



VARNING!

Läs alla instruktionerna noggrant innan du utför något arbete på maskinen.



VARNING!

Tvätta inte maskinen med direkt eller trycksatt vattenstråle.



VARNING!

Använd inte maskinen på sluttande underlag med en lutning som överskrider den som anges i specifikationen.

SYMBOLER SOM VISAS I SNABBSTARTSGUIDEN



FARA!

Anger en farlig situation med risk för dödsfall för operatören.



VARNING!

Anger en potentiell risk för personskada.



FÖRSIKTIGHET!

Anger en varning eller en anmärkning i samband med viktiga eller användbara funktioner. Var uppmärksam på de punkter som är markerade med denna symbol.



OBS!

Anger en anmärkning i samband med viktiga eller användbara funktioner.



RÅD

Anger att man bör läsa anvisningen i snabbstartsguiden innan man utför några åtgärder.

ALLMÄNNA SÄKERHETSANVISNINGAR

Särskilda varningar och försiktighetsåtgärder för att informera om eventuella skador på människor och maskin visas nedan.

**FARA!**

- Denna maskin måste användas av utbildad och auktoriserad personal med vägledning av handboken.
- Innan du utför rengöring, underhåll, reparation eller utbyte, läs alla instruktionerna noga, se till att **STÄNGA AV** maskinen och koppla ur batteriet.
- Använd inte maskinen i närheten av giftiga, farliga, brandfarliga och/eller explosiva pulver, vätska eller ånga. Denna maskin är inte lämplig för uppsugning av farligt pulver.
- Bär inte smycken när du arbetar nära elektriska komponenter.
- Arbeta inte under upplyft maskin utan att stödja den med säkerhetsstöd.
- När du använder blybatterier (WET), så kan de släppa ut lättantändlig gas vid normal användning. Håll gnistor, flammor, rökvaror och strålände, lysande och brinnande föremål på avstånd från batterierna.
- När du laddar blybatterier (WET), kan de avge vätgas som kan orsaka en explosion. Se till att laddningsmiljön är väl ventilerad och på avstånd från öppen eld.

**VARNING!**

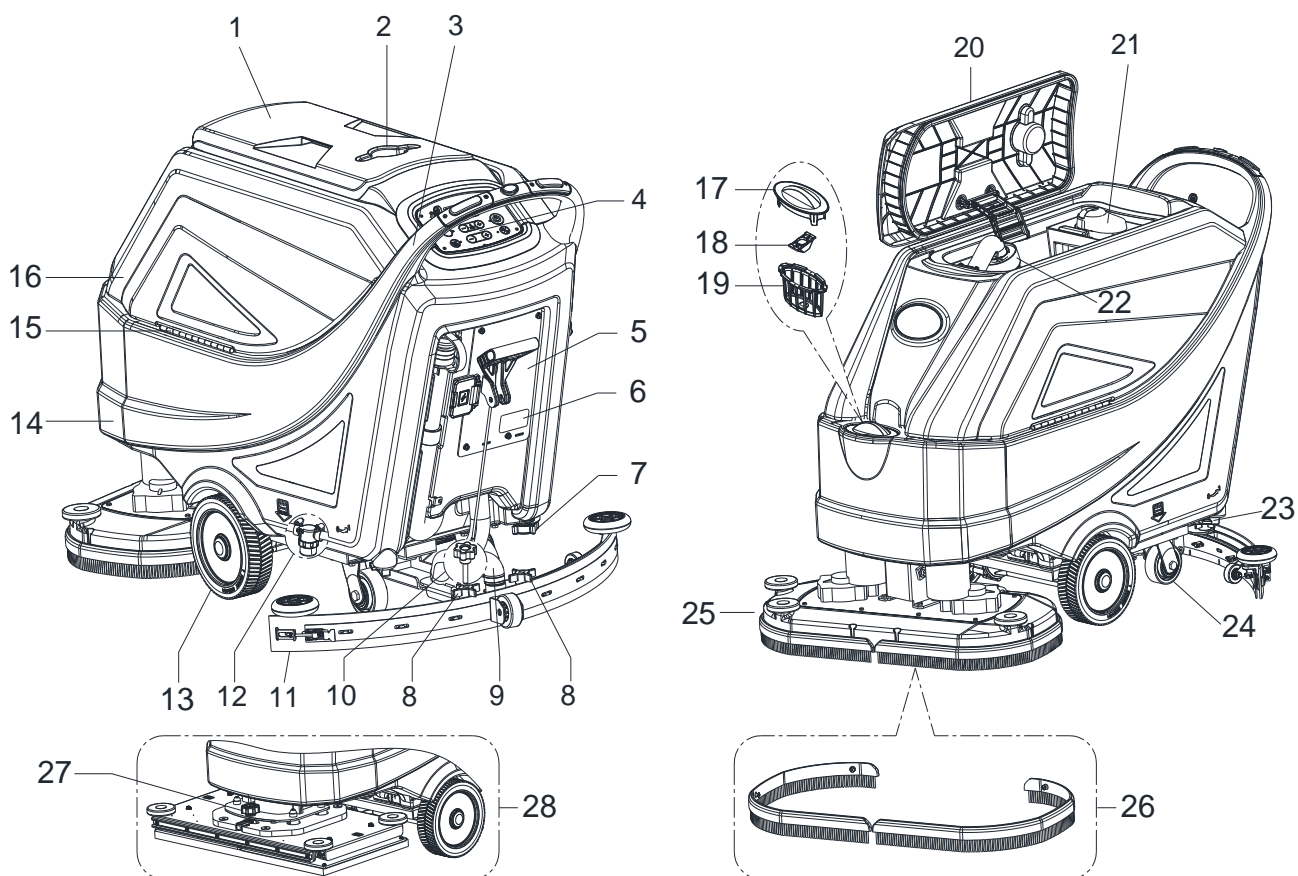
- Denna maskin är avsedd för **KOMMERSIELLT BRUK**, till exempel på hotell, skolor, sjukhus, fabriker, i butiker, på kontor samt i uthyrningsbranschen.
- Maskiner som lämnas utan uppsikt ska säkras mot oavsiktlig rörelse.
- För att förhindra otillåten användning, ska strömkällan stängas av eller låsas, till exempel genom att avlägsna huvudbrytarens nyckel eller startnyckeln.
- Kontrollera maskinen noggrant före varje användning. Kontrollera att alla komponenter är ordentligt monterade före användning. Annars kan de orsaka skador på människor och egendom.
- Innan du använder batteriladdaren, kontrollera att frekvensvärdena och spänningvärdena som anges på maskinens märkskylt stämmer överens med dem för elnätet.
- Flytta aldrig maskinen genom att dra den i batteriladdarkabeln. Om kabeln ligger i en dörröppning stäng inte dörren eller vira den runt vassa kanter eller hörn. Kör inte maskinen över batteriladdarkabeln. Håll batteriladdarkabeln på avstånd från varma ytor.
Ladda inte batterierna om batteriladdarkabeln eller kontakten är skadade.
- För att minska risken för brand, elektriska stötar eller skada, se till att maskinen är avstängd när den inte används.
- Använd eller förvara maskinen inomhus i torra förhållanden. Den bör inte användas för utomhusbruk.
- Maskinens förvarings- och arbetstemperatur måste vara mellan 0 °C och + 40 °C, luftfuktigheten måste vara mellan 30 % och 95 %.
- Använd inte maskinen på sluttande underlag med en lutning som överskrider den som anges i specifikationen.
- Vid användning och hantering av rengöringsmedel för golvrengöring, följ instruktionerna på flasketiketten och bär lämpliga skyddshandskar och skydd.
- Använd de borstar och dynor som levereras med maskinen eller anges i handboken. Användning av andra borstar eller dynor kan minska säkerheten.
- Vid maskinfel, kontrollera att det inte beror på bristande underhåll. Vid behov, begär hjälp från auktoriserad personal eller från ett auktoriserat servicecenter.
- Vidta alla nödvändiga försiktighetsåtgärder för att förhindra att hår, smycken och löst sittande kläder inte fastnar i maskinens rörliga delar.
- Använd inte maskinen i mycket dammiga miljöer.

- Tvätta inte maskinen med direkt eller högtrycks-vattenstråle eller med frätande ämnen.
- Stöt inte till hyllor eller ställningar, särskilt när det finns risk för fallande föremål.
- Ställ inte vätskebehållare på maskinen, använd burkhållaren.
- För att undvika skador på golvet, låt inte borsten/dynan vara i drift medan maskinen står stilla.
- Vid brand, använd en pulverbrandsläckare. Använd inte flytande brandsläckare.
- Ta inte bort eller ändra maskinens märkning.
- Mixtra inte med maskinens skyddsanordningar och följ vanliga underhållsinstruktioner noggrant.
- Var försiktig om maskinen transporteras när temperaturen är under fryspunkten. Vattnet i återvinningstanken och i slangarna kan frysa och orsaka allvarlig skada på maskinen.
- Om reservdelar behöver bytas ut, beställ ORIGINALreservdelar från en auktoriserad återförsäljare.
- Returnera maskinen till servicecentret om den inte fungerar som den ska eller om den är skadad, har placerats utomhus, tappats i vatten.
- För att säkerställa en korrekt och säker maskindrift, måste det schemalagda underhållet som visas i relevant avsnitt av denna handbok utföras av auktoriserad personal eller en auktoriserad serviceverkstad.
- Maskinen måste skrotas korrekt p.g.a. förekomsten av farliga giftämnen (batterier etc.), som omfattas av standarder och måste återvinnas på särskilda centra (se avsnittet Skrotning).
- Denna maskin bör endast användas som ett rengöringsverktyg, inte för andra ändamål.
- Se alltid till att öppningarna inte innehåller damm, hår och annat främmande material som kan minska luftflödet. Använd inte maskinen om öppningarna är igentäppta.
- Använd maskinen endast om en ordentlig belysning finns.
- Denna maskin är inte avsedd att användas av personer (inklusive barn) med nedsatt fysisk, sensorisk eller psykisk förmåga eller bristande erfarenhet och kunskap.
- Särskild uppmärksamhet krävs när den används nära barn.
- Barn ska hållas under uppsikt så att de inte leker med maskinen.
- När du använder denna maskin, se till att inte orsaka skador på människor eller föremål.
- Rengöring och underhåll får inte utföras av barn som inte hålls under uppsikt.

MASKINBESKRIVNING

MASKINSTRUKTUR (såsom visas i Figur 1)

1. Lock för återvinningsbehållare
2. Burkhållare
3. Styrstång
4. Kontrollpanel
5. Säkringslåda
6. Serienummerplåt/tekniska data
7. Utloppslock
8. Gummiskrapans vred
9. Gummiskrapans vakuumslang
10. Gummiskrapans balansjusteringsvred
11. Gummiskrapa
12. Lösningfilter
13. Drivhjul
14. Lösningsbehållare
15. Gångjärn
16. Återvinningsbehållare
17. Filterlock
18. Hållare för påfyllningsslang
19. Filterstöd
20. Behållarens lockpackning
21. Skräppupsamlingsbox
22. Flottörfilter
23. Kran för lösning/vatten
24. Bakre styrhjul
25. Borstsystem (endast för singelskurmaskiner)
26. Stänkskydd
27. Justeringsvred orbitalt huvud
28. Orbitalt system (endast för orbitala maskiner)

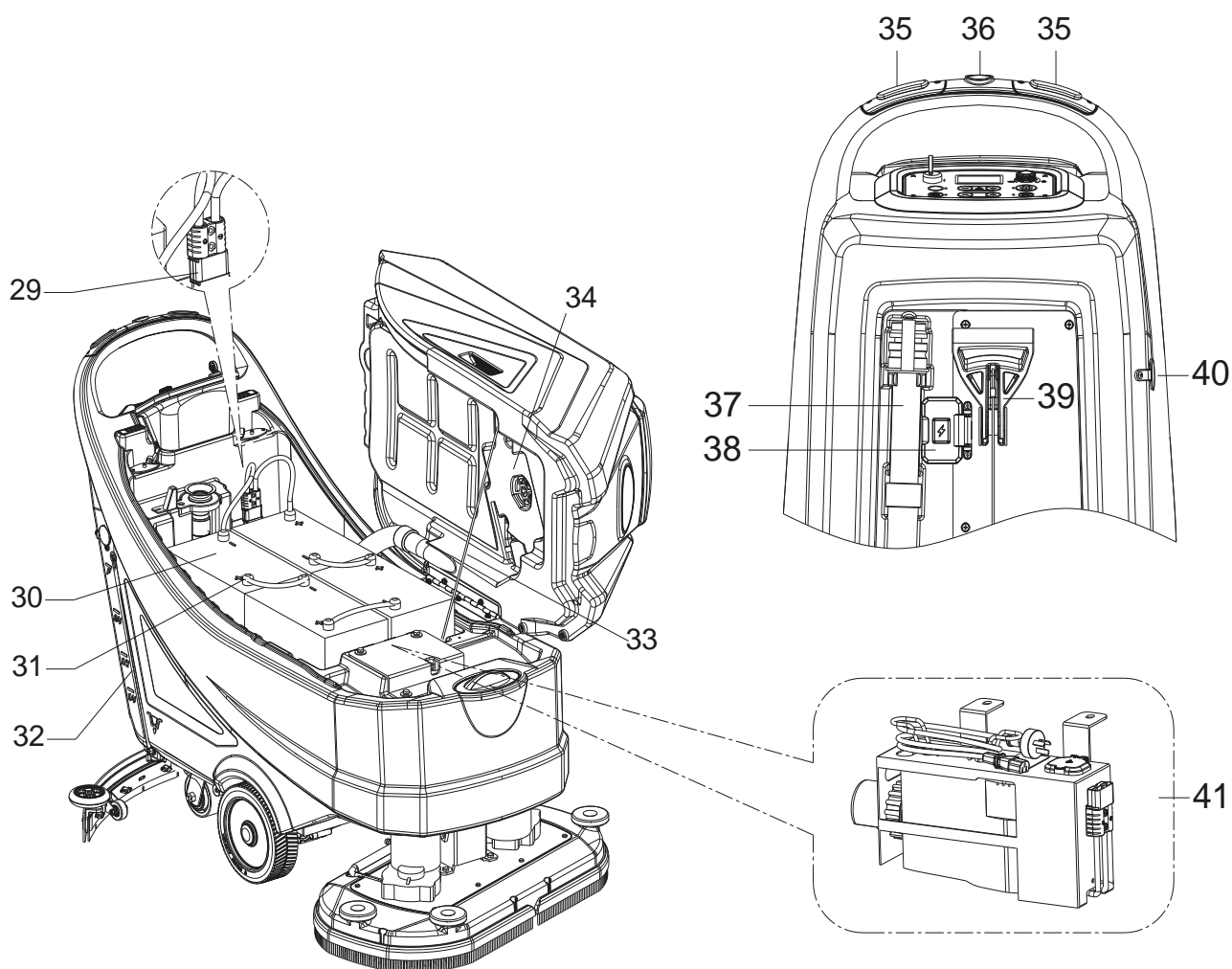


Figur 1

MASKINSTRUKTUR (såsom visas i Figur 2)

- 29. Batterikontakt (röd)
- 30. Batterier (*)
- 31. Batterilock
- 32. Vattennivåindikatorrör
- 33. Behållarens säkerhetskabel
- 34. Vakuumsystem
- 35. Säkerhetsbrytare
- 36. Brytare för att backa maskinen
- 37. Tömnings slang för återvinningsvatten
- 38. Skyddslock för laddningsuttag
- 39. Spak för att lyfta/sänka gummiskrapan
- 40. Sidopåfyllningslock lösning behållare
- 41. Inbyggd laddare (*)

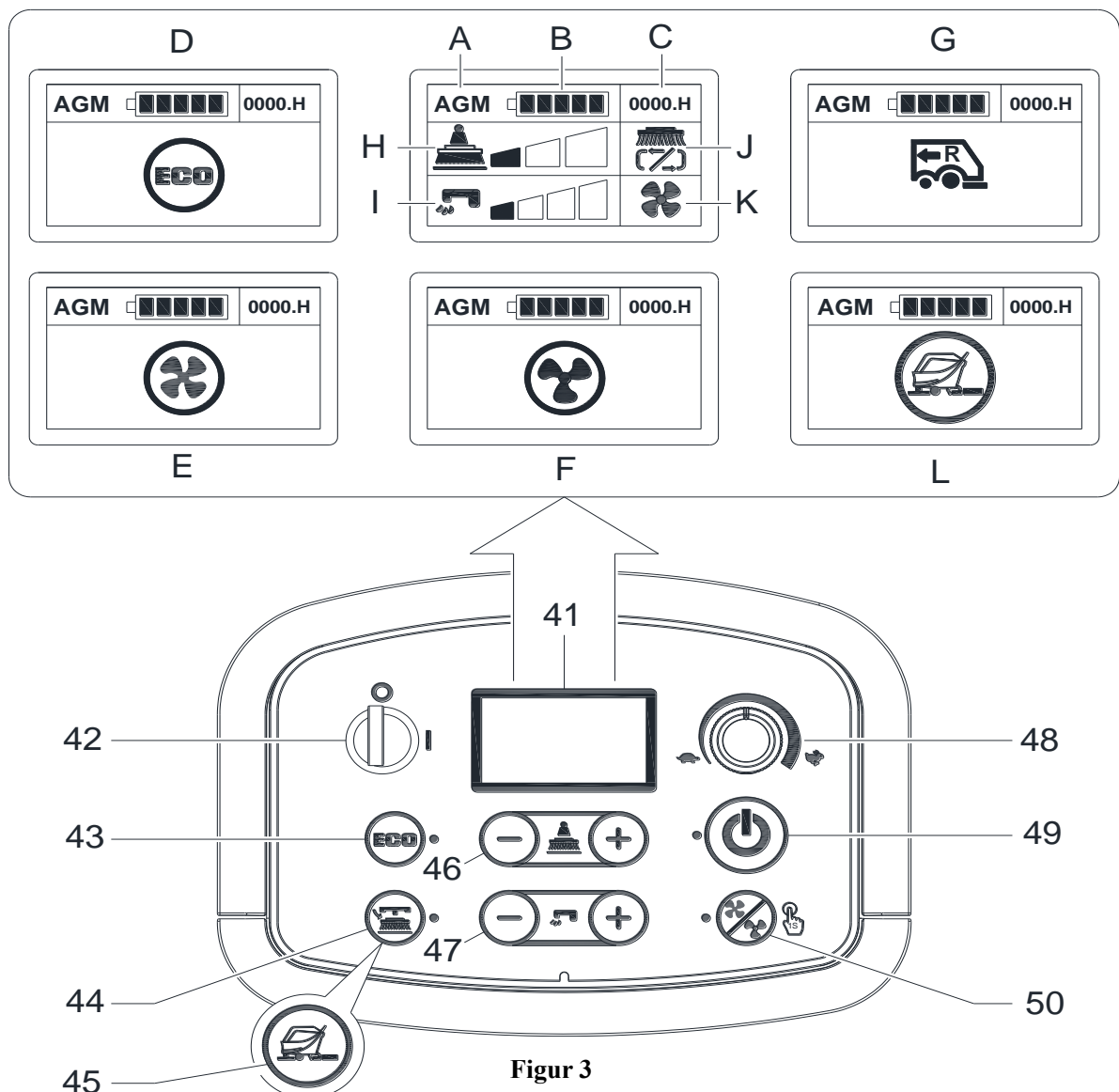
(*): Tillval



Figur 2

KONTROLLPANEL (såsom visas i Figur 3)

41. Multifunktionsdisplay
Vad som visas:
- A) Batterityp
 - B) Batteriladdningsnivå
 - C) Arbetade timmar
 - D) ECO-läge
 - E) Normalläge vakuüm
 - F) Tyst läge vakuüm
 - G) Backläge
 - H) Extra tryck aktivt
 - I) Flödesmängd rengöringsmedelslösning
 - J) Arbetsläge borste
 - K) Vakuümläge
 - L) Golvförberedelseläge
42. Startnyckel (0 - I)
43. Knapp för ECO-läge
- LED tänd-funktion aktiverad
 - vattenflöde vid minimum (nivå 1)
 - tryck vid minimum (nivå 1)
 - Vakuüm i tyst läge
44. Utlösningsknapp borst-/dynhållare (endast för singelskurmaskiner)
- Blinkande LED-Utlösningssystem aktiverat
45. Knapp för golvförberedelse (endast för orbitala maskiner)
- Körhastighet förinställd till 1 km/h
 - LED tänd-funktion aktiverad
 - vattenflöde vid minimum (nivå 1)
 - tryck vid maximum (nivå 3)
 - Vakuüm i normalt läge
46. Justeringsknapp borsttryck
47. Justeringsknapp lösningsflöde
48. Hastighetsregulator
49. En startknapp
- LED tänd-funktion aktiverad
 - vattensystem minimum (nivå 1)
 - tryck vid minimum (nivå 1)
 - vakuümsystem normalt läge
50. Justeringsknapp vakuümsystem (tryck på knappen i 1 sekund för att aktivera)
- LED lyser-normalt läge
 - Blinkande LED-Tyst läge



Figur 3

TEKNISKA PARAMETRAR

Parametertyp	Enheter	Modell		
		AS6690T	AS7690T	AS7190TO
Lösningsbehållarens volym	l/Gal	85 l/22 Gal.		
Återvinningsbehållarens volym	l/Gal	90 l/24 Gal.		
Maskinlängd	mm/tum	1490 mm/ 59 tum	1550mm/ 61 tum	1490 mm/ 59 tum
Maskinbredd med gummiskrapa	mm/tum	830 mm/ 33 tum	950 mm/ 38 tum	
Maskinbredd utan gummiskrapa	mm/tum	730 mm/29 tum	830mm/33 tum	750mm/30 tum
Maskinhöjd	mm/tum	1020 mm/40,2 tum		
Arbetsbredd	mm/tum	660 mm/26 tum	760 mm/30 tum	710 mm/28 tum
Diameter drivhjul	mm/tum	230 mm/9 tum		
Drivhjulets specifika tryck mot golvet	N/mm ²	0,67 N/mm ²		
Bakre hjuldiameter	mm/tum	101 mm/4 tum		
Bakhjulets specifika tryck mot golvet	N/mm ²	0,82 N/mm ²		
Borst-/dyndiameter	mm/tum	330 mm x 2/ 13 tum x 2	380mm x 2/ 15 tum x 2	355x710 mm/ 14x28 tum
Borst-/dyntryck (max)	kg/Lbs.	32 kg/71 Lbs 41 kg /90 Lbs 49 kg /108 Lbs	35 kg/77 Lbs 43 kg /95 Lbs 51 kg /112 Lbs	42 kg /93 Lbs 54 kg/120 Lbs 65 kg/143 Lbs
Lösningsflöde (max) per inställning	l/Gal per minut	(0,9/1,5/2,2/3) liter (0,24/0,39/0,58/0,79) gallons		(0,6/1,1/1,9/2,5) liter (0,16/0,29/0,5/0,66) gallons
Ljudnivå	dB(A)	69 ± 3 dB (A)		
Ljudnivå i ECO-läge eller tyst läge	dB(A)	65 ± 3 dB (A)		
Vibrationsnivå handtag (max)	m/s ²	< 2,5 m/s ²		
Lutningskapacitet (max)	% grad	2 %		
Min. vändningsradie	cm/tum	155cm/61 tum	165 cm/65 tum	160 cm/63 tum
Drivmotoreffekt	Watt/HK	250 W/0,33 hk		350 W/0,47 hk
Arbets hastighet	km/miles per timme	0 - 4,0 Km / 0 - 2,5 miles per timme		0 - 3, 2 km/0 - 2,0 miles per timme
Hastighet framåt	km/miles per timme	0 - 4,0 km/0- 2,5 miles per timme		
Hastighet bakåt	km/miles per timme	0 - 2,0 km/0- 1,25 miles per timme		
Vakuumpotens	Watt/HK	500 W/0,66 hk		
Vakuumpkapacitet	mm/tum H ₂ O	1500 mm/60 tum H ₂ O		
Vakuumpkapacitet i ECO-läge eller tyst läge	mm/tum H ₂ O	900 mm/35 tum H ₂ O		
Borstmotoreffekt	Watt/HK	500 x 2 Watt/0,66 x 2 hk		750 Watt/1,0 hk
Borsthastighet i normalt läge	Varv/minut	200 varv/minut		2200 varv/minut
Borsthastighet i ECO-läge	Varv/minut	160 varv/minut		1600 varv/minut
IP-skyddsklass	IP	IP24		
Batterifackets storlek med extern laddare (L x B x H)	mm/tum	620 x 385 x 390 mm/24,4 x 15,1 x 15,3 tum		
Batterifackets storlek med inbyggd laddare (L x B x H)(*)	mm/tum	535 x 385 x 390 mm/21 x 15,1 x 15,3 tum		
Spänning	DC	24 V		
Batterier (*)	Ah	Uppgift saknas		
Batteriets drifttid (standardbatterier) (*)	Timme	Upp till 4 timmar		
Inbyggd laddare (*)	Volt/Ampere	24V 25A		
Produktivitet	m ² /h	2640 m ² /h	3040 m ² /h	2272 m ² /h
Maskinens vikt med tomma behållare (utan batterier)	kg/Lbs.	135 kg/298 Lbs	138 kg/304 Lbs	148 kg/326 Lbs
Totalvikt	kg/Lbs.	347 kg/765 Lbs	350 kg/772 Lbs	360 kg/794 Lbs
Leveransvikt	kg/Lbs.	202 kg/444 Lbs	205 kg/451 Lbs	215 kg/473 Lbs
Förpackningsstorleks (L x B x H)	mm/tum	(1620 x 810 x 1200 mm)/(64 x 32 x 48 tum)	(1660 x 910 x 1200 mm)/ (66 x 36 x 48 tum)	

(*) : Tillval

BRUKSANVISNING



VARNING!

På vissa ställen finns självhäftande skyltar som anger:

- FARA!
- VARNING!
- FÖRSIKTIGHET!
- RÅD

Vid läsning av denna bruksanvisning, måste operatören ägna stor uppmärksamhet åt symbolerna som visas på skyltarna. Täck inte över dessa plåtar och byt ut dem omedelbart om de skadas.

BATTERIKONTROLL/SLÅ PÅ EN NY MASKIN

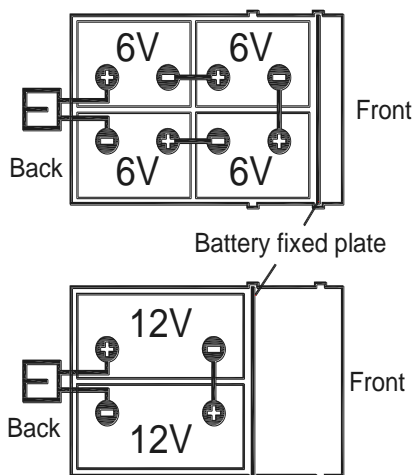


VARNING!

De elektriska komponenterna i maskinen kan skadas allvarligt om batterierna installeras eller ansluts felaktigt. Batterierna får endast installeras av behörig personal. Ställ in det elektroniska funktionskort och den inbyggda batteriladdaren beroende på typ av batterier som används (WET eller GEL/AGM batterier). Kontrollera om batterierna är skadade före installation. Koppla ifrån batterianslutaren och batteriladdningsskontakten. Hantera batterierna med försiktighet. Montera batteriterminalens skyddslock som medföljer maskinen.

Batterier redan installerade på maskinen

1. Se till att batterikontakten (29, Figur 2) är ansluten.
2. När maskinen används för första gången med nya batterier, utför en full laddningscykel (se förfarande i avsnittet Underhåll).

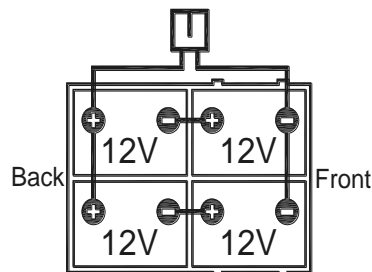


Figur 4



OBS!

Maskinen behöver två batterier på 12 V eller fyra batterier på 6 V som ansluts enligt schemat (Figur 4). Sätt fast batteriplattan på rätt sätt enligt (Figur 4).



Utan batterier

1. Köp lämpliga batterier (se avsnittet Tekniska data). För val av batteri och installation, välj kvalificerade batteriåterförsäljare.
2. Ställ in maskinen beroende på vilken typ av batterier som installeras, såsom visas i avsnittet Superanvändarnyckel i avsnittet Underhåll.

BATTERI INSTALLATION OCH INSTÄLLNING AV BATTERITYP (WET OR GEL/AGM OR DIS OR ENES)

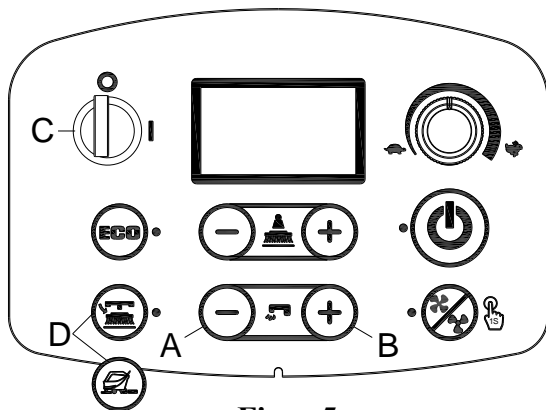
Installation av batteri

1. Öppna locket till återvinningsbehållaren (1, Figur 1) och kontrollera att återvinningsbehållaren (16) är tom. Töm den annars med tömningsslangen. (37, Figur 2)
2. Stäng locket till återvinningsbehållaren (1, Figur 1).
3. Hög locket till återvinningsbehållaren (16, Figur 1) försiktigt.
4. Maskinen levereras med kablar som passera för att installera två 12 V batterier eller fyra 6 V batterier. Sätt in batterier i facket och installera dem korrekt. Sätt fast batteriplattan på rätt sätt enligt (Figur 4).
5. Vrid och installera batterikabeln såsom visas på (Figur 4) och dra försiktigt åt muttern på varje batteripol.
6. Placera skyddshylsan på varje pol och anslut batterikontakten (29, Figur 2).
7. Sänk försiktigt återvinningsbehållarens lock (16, Figur 1).

Batteritypinställning (WET OR GEL/AGM OR DIS OR ENES)

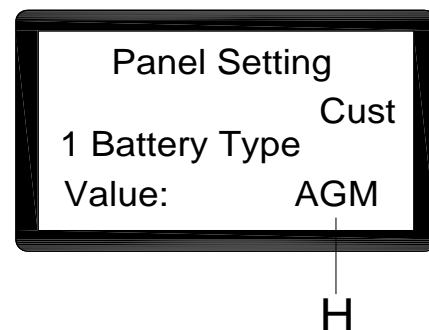
Åtkomst för att välja batteriläge

Beroende på batterityp (WET eller GEL/AGM), ställ in maskinen enligt följande:



Figur 5

Access to select battery mode



Figur 6

1. Tryck på vattenflödesknappen "+" (A, Figur 5) och "-" (B, Figur 5) på samma gång.
2. Sätt i startnyckeln (C, Figur 5) och vrid den till läge "I".
3. Flera sekunder senare, gå till skärmen för att välja batteriläge (Figur 6)
4. Tryck på vattenflödesknappen "-" (A, Figur 5) och "+" (B, Figur 5) för att välja batteriläge (H, Figur 6)
5. Tryck på frigöringsknappen för skivversion eller golvprep-knappen för orbitalversion (D, Figur 5), 3 sekunder senare visas "Update OK", vilket betyder att inställningen gick bra. Vrid för att starta om. (C, Figur 5)

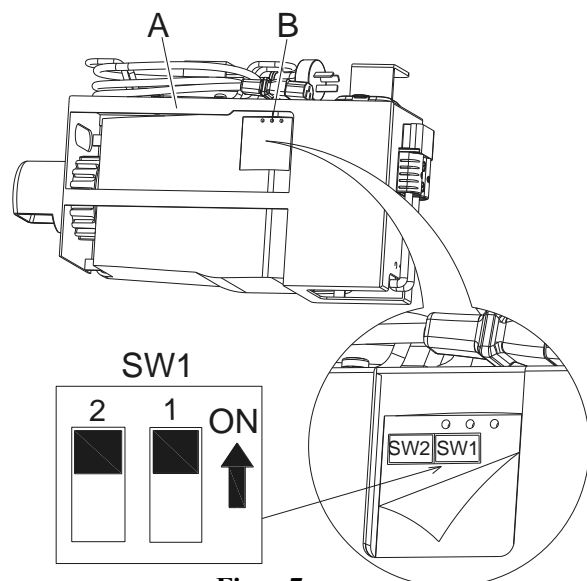
Batteriladdarinställning (endast för inbyggd laddare om installerad)



WARNING!

Ställ inte in laddaren om du saknar fackutbildning

1. Stäng av maskinen och demontera den inbyggda laddaren (A, Figur 7) från maskinen. Öppna etiketten på laddarens lock (B, Figur 7). Du hittar två set med DIP-switchar (SW1 och SW2) i laddaren.
2. Endast DIP-switchsetet SW1 (det till vänster) påverkar laddningskurvan enligt tabellen nedan.



Figur 7

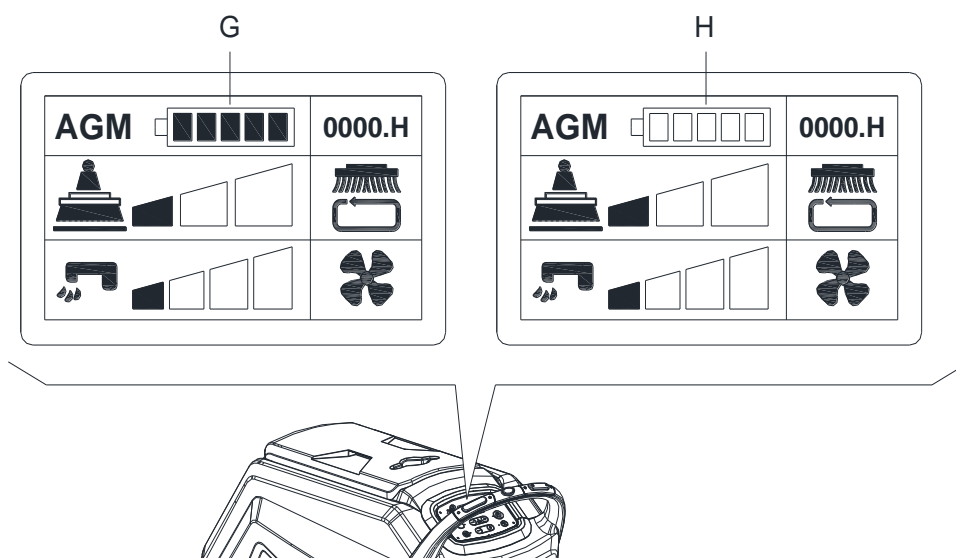
DP1	DP2	LADDNINGSKURVA
PÅ	AV	IUIa-ACD för blysyrbatterier (Wet)
AV	AV	IUIa-GEL för gelbatterier av typen Exide-Sonnenschein
AV	PÅ	IUU0-GEL för HAZE Gel och AGM-batterier från andra tillverkare
PÅ	PÅ	IUIUa-AGM för Discover AGM-batterier

Batteriladdning

Ladda batterierna helt (se förfarande i avsnittet Underhåll).

Urladdning av batterierna

När batterierna är fulla (G, Figur 8), kan maskinen fungera normalt. När batterierna är tomma (H, Figur 8), måste batterierna laddas. Några sekunder efter lågt batteri visas, stängs borst-/dynhållaren av automatiskt, medan drivsystemet förblir påslaget. Flytta maskinen till ett utsett laddningsområde omedelbart.



Figur 8



FÖRSIKTIGHET!

När batterierna är urladdade, ladda dem så fort som möjligt, då detta förhållande gör deras livslängd kortare. Kontrollera batteriladdning minst en gång i veckan.

INSTALLATION OCH BORTTAGNING AV BORST-/DYNHÅLLARE (endast singelskurmaskiner)**OBS!**

Installera antingen borst- (A, Figur 9) eller dynhållaren (B och C, Figur 9) beroende på typ av golv som ska rengöras.

**FÖRSIKTIGHET!**

Före installation eller borttagning av borste eller dyna-, ska du säkerställa att alla strömbrytare på maskinen är i läge av och att gummiskrapan är lyft från golvet. Operatören måste vara utrustad med passande personliga skyddskläder så som handskar för att minska olycksrisken.

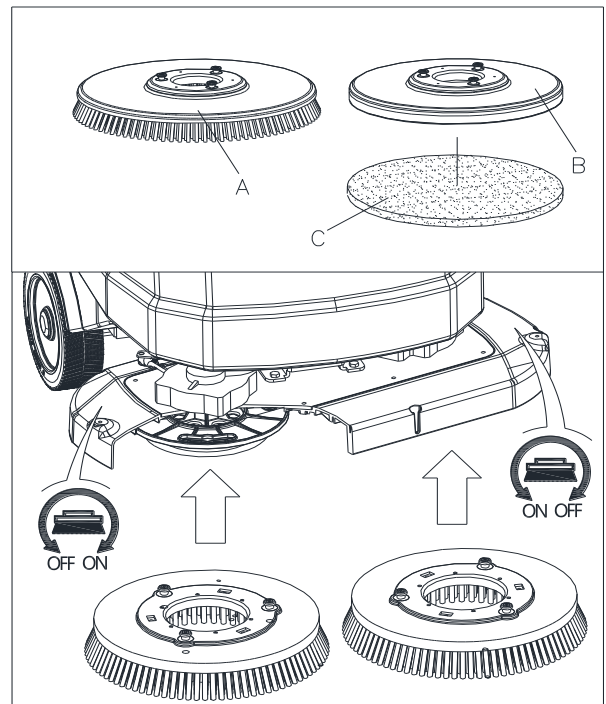
Fortsätt enligt följande:

INSTALLATION:

1. Sätt i startnyckeln (42, Figur 3) och vrid den till läge "I". Lyft plattformen. Stäng av maskinen genom att ta bort startnyckeln (42).
2. Vrid hastighetsregulatorn (48) till tomgångsläge genom att vrida den moturs.
3. Placera borstarna (A, Figur 9) eller dynhållaren (B) under plattformen.
4. Använd den manuella metoden genom att vrida borst-/dynhållaren i motsatt riktning till den vanliga vridriktningen, och den kan installeras. (såsom visas i Figur 9)

BORTTAGNING:

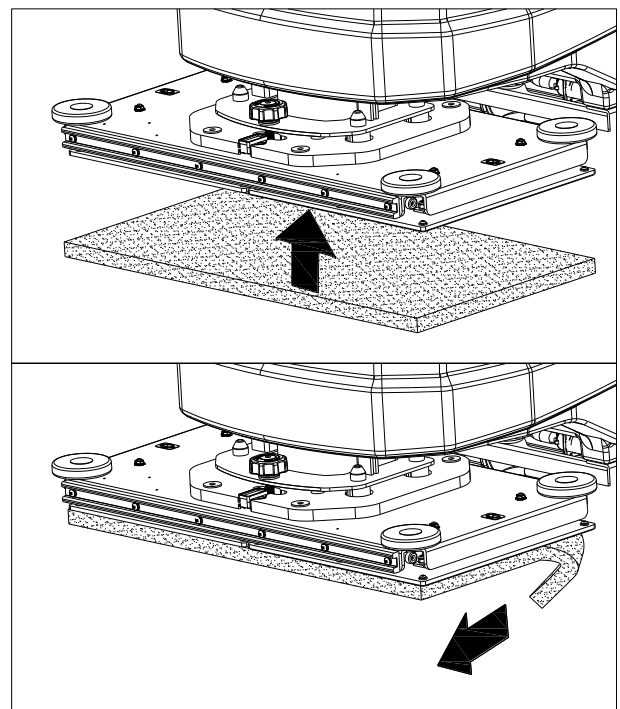
1. Sätt i startnyckeln (42, Figur 3) och vrid den till läge "I". För att ta bort borst-/dynhållaren, lyft plattformen genom att trycka på borst-/dynhållarens utlösningssknapp (44), borst-/dynhållaren frigörs automatiskt.



Figur 9

INSTALLATION OCH BORTTAGNING AV DYNA (endast orbitala maskiner)

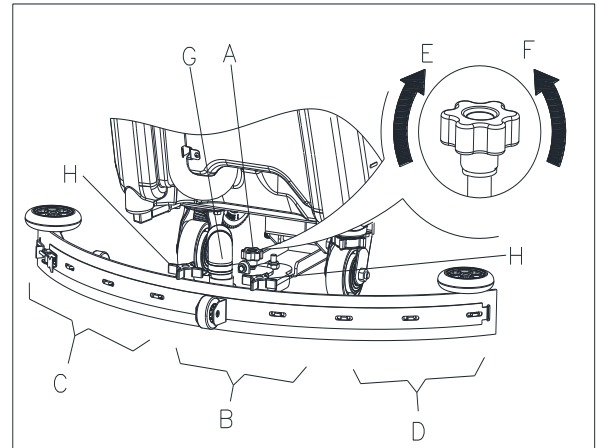
1. Sätt i startnyckeln (42, Figur 3) och vrid den till läge "I". Lyft plattformen. Stäng av maskinen genom att ta bort startnyckeln.
2. Använd den manuella metoden för att installera eller ta bort dynan enligt (Figur 10)



Figur 10

JUSTERA BALANSEN PÅ GUMMISKRAPAN

1. Installera gummiskrapan och skruva fast muttrarna (H, Figur 11), anslut sedan vakuumslangen (G) till gummiskrapan.
2. Justera gummiskrapan med hjälp av justeringshandtaget (A, Figur 11).
 - a) Om det finns ett mellanrum mellan golvet och mellandelen på det bakre skrapbladet (B), justera vredet (A) i moturs riktning (F) tills alla delar på det bakre skrapbladet har kontakt med golvet. Det främre bladet ska vidröra marken en aning.
 - b) Om det finns ett mellanrum mellan golvet och båda änderna på det bakre skrapbladet (C och D), justera vredet (A) i medurs riktning (E) tills alla delar på det bakre skrapbladet har kontakt med golvet. Det främre bladet ska vidröra marken en aning.



Figur 11

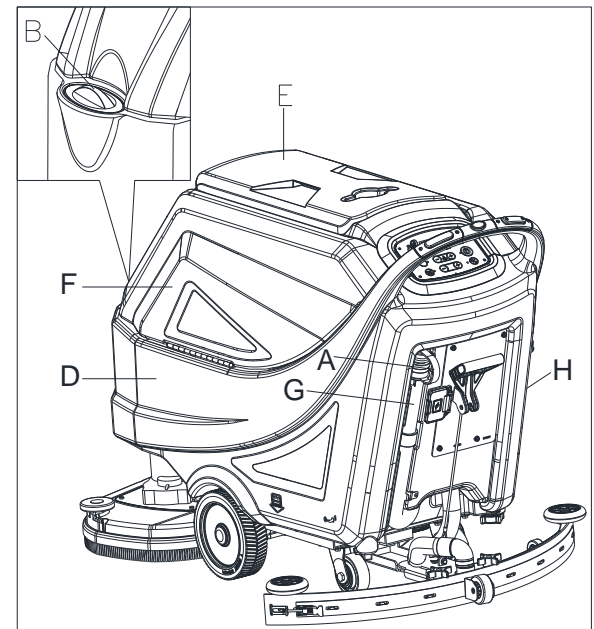
FYLLA LÖSNINGSBEHÅLLARE

1. Öppna locket för vattenintaget (B, Figur 12).
2. Fyll med vatten eller vätska som lämpar sig för arbetet genom vattenintaget med filter.
Lösningens temperatur får inte överstiga + 104 °F (+ 40 °C).
3. Fyll inte på behållaren för mycket, se vattennivåindikatorn (H) för vattenvolymen.



VARNING!

Använd endast lågskummande och brandtåligt rengöringsmedel som är avsett för automatisk skrubbing.



Figur 12

START OCH STOPP AV MASKIN

Starta Maskinen

1. Förbered maskinen såsom framgår i föregående avsnitt.
2. Sätt i startnyckeln (A, Figur 13) och vrid den till läge "I". Kontrollera batteriernas status på displayen. Om nödvändigt, ladda batterierna (se förfarande i avsnittet Underhåll).
3. Kör maskinen till arbetsområdet:
 - Genom att trycka antingen på säkerhetsbrytaren (F) för att köra framåt eller trycka på säkerhetsbrytaren (F) tillsammans med backbrytaren (G) för att köra bakåt. Hastigheten framåt kan justeras med reglaget (H).
4. Sänk gummiskrapan (I) med spaken för att lyfta/sänka gummiskrapan (J).
5. Sänk borst-/dynhållarens plattform (K) genom att trycka på startknappen (L)
6. Tryck på kontrollknapparna för lösningsflödet (O) vid behov, beroende på vilken typ av rengöring som ska utföras.
7. Starta rengöring:
 - Tryck antingen på säkerhetsbrytaren (F) för att aktivera maskindriften. Vid behov kan hastigheten framåt justeras med reglaget (H).

**OBS!**

För att flytta maskinen framåt, tryck antingen på vänster eller höger säkerhetsbrytare (F, Figur 13) eller båda två.

Stoppa maskinen

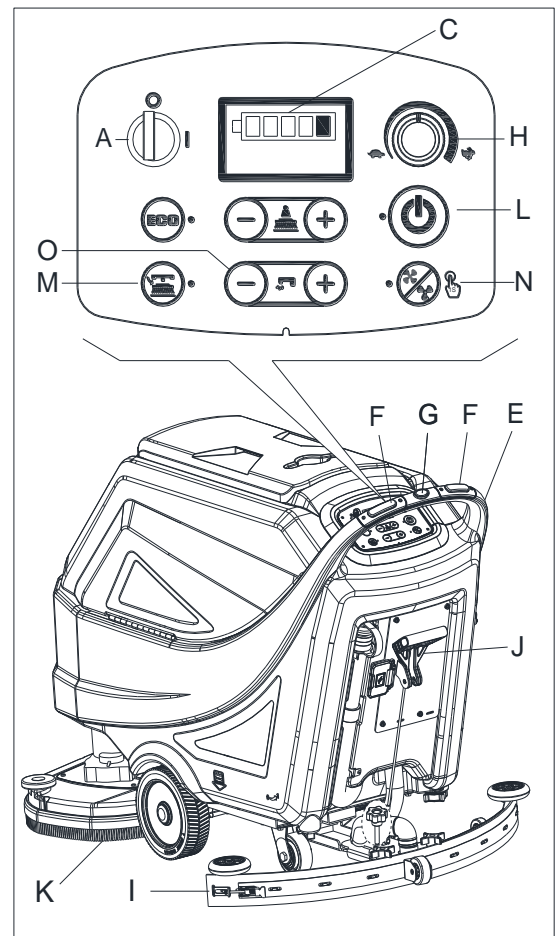
8. Stoppa maskinen genom att släppa säkerhetsbrytaren (F, Figur 13)
9. Borstarna stannar. Vakuumsystemet stannar efter några sekunder.
10. Lyft borst-/dynhållarens plattform (K) genom att trycka på startknappen (L).
11. Lyft gummiskrapan (I) med spaken för att lyfta/sänka gummiskrapan (J).
12. Vrid startnyckeln (A) till "0".
13. Kontrollera att maskinen inte kan flyttas.

MASKINDRIFT (SKURA OCH TORKA)

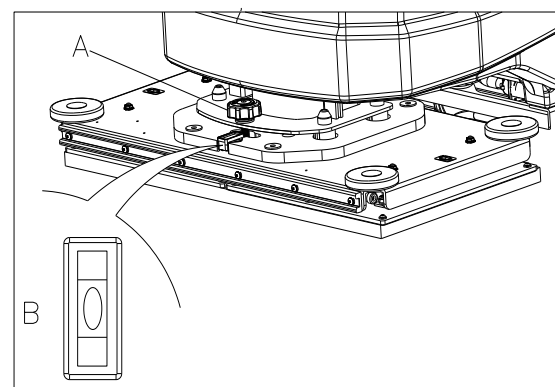
1. Starta maskinen såsom framgår i föregående avsnitt.
2. Samtidigt som du trycker på antingen säkerhetsbrytare (35, Figur 2), manövrera maskinen och börja skura/torka golvet.
3. Om det behövs, stoppa maskinen och justera gummiskrapan enligt avsnitt "Justera gummiskrapans balans".

JUSTERA DEN ORBITALA PLATTFORMENS NIVÅ (ENDAST FÖR ORBITALA MASKINER)

1. Sätt i startnyckeln (42) och vrid den till läge "I".
Sänk borst-/dynhållarens plattform (25) genom att trycka på startknappen (49)
2. Justera den orbitala plattformens nivå med justeringsspaken (A, Figur 14) så att luftbubblan är i mitten (B, Figur 14).



Figur 13



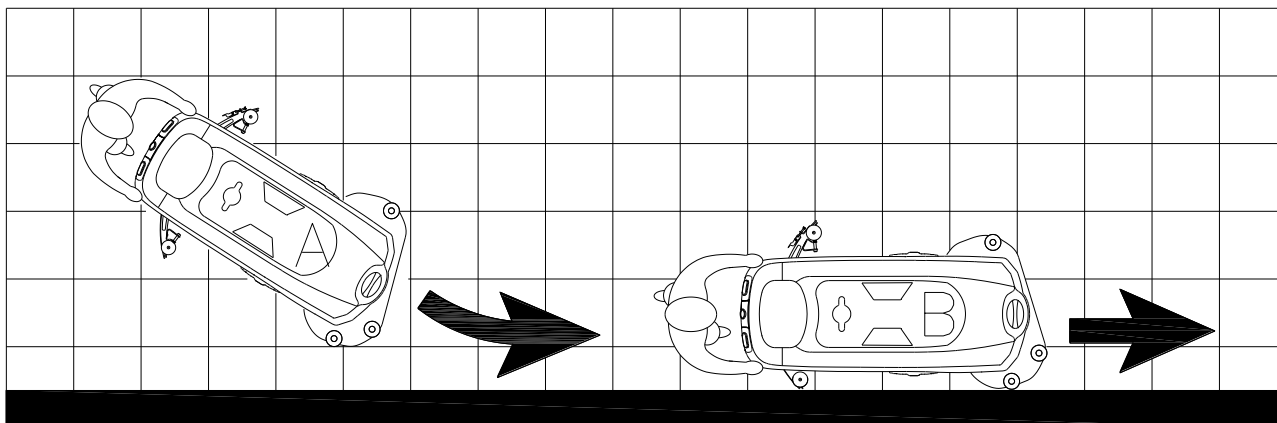
Figur 14

**OBS!**

För att skura/torka golv på rätt sätt vid sidan av väggarna. Vi rekommenderar att köra nära väggarna med den högra delen av maskinen (A och B, Figur 15) såsom visas i figuren.

**FÖRSIKTIGHET!**

För att undvika skada på golvytan, stäng av borst/dyn-hållarna när maskinen stannar på en plats.



Figur 15

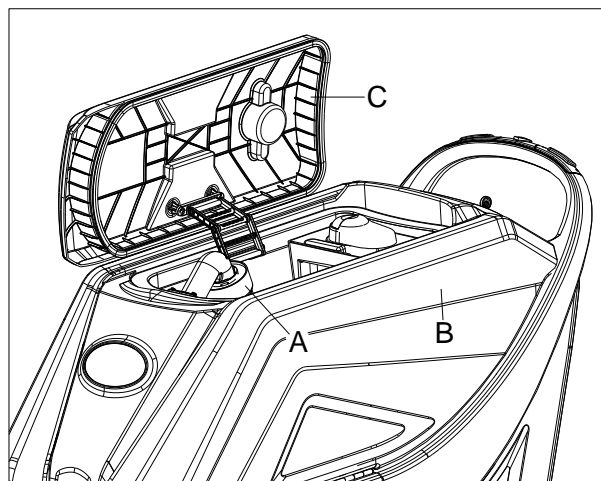
TÖMMA BEHÅLLAREN

Ett automatisk flytande avstängningssystem (A, Figur 16) blockerar vakuumsystemet när återvinningsbehållaren (B) är full. Vakuumsystemets avaktivering signaleras med en plötslig ökning i vakuumsystemet motorbuller, även om golvet inte har torkats.

**FÖRSIKTIGHET!**

Om vakuumsystemet stängs av av misstag (till exempel, när flottören aktiveras på grund av en plötslig maskinrörelse), för att återuppta driften: stäng av vakuumsystemet genom att trycka på knappen (50, Figur 3), öppna sedan locket (C, Figur 16) och kontrollera att flottören inuti gallret (A) har gått ner till vattennivån. Stäng sedan luckan (C) och slå på vakuumsystemet genom att trycka på knappen (50, Figur 3).

När återvinningsbehållaren (B, Figur 16) är full, töm den enligt följande förfarande.



Figur 16

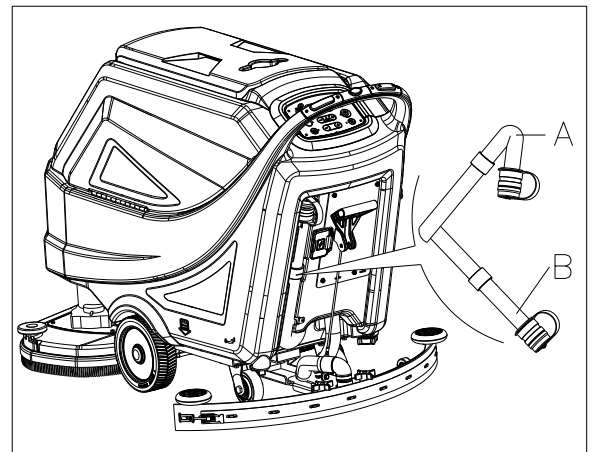
Tömning av återvinningsbehållaren

1. Stoppa maskinen.
2. Lyft borst-/dynhållarplattformen (25, Figur 1) genom att trycka på startknappen (49, Figur 3) eller starta om maskinen med startnyckeln (42, Figur 3).
3. Lyft gummiskrapan (11, Figur 1) med spaken för att lyfta/sänka gummiskrapan (39, Figur 2).
4. Flytta maskinen till ett utsett tömningsområde.
5. Töm återvinningsbehållaren med slangen (A, Figur 17). Skölj sedan behållaren (B, Figur 16) med rent vatten.



FÖRSIKTIGHET!

När man tömmer smutsvatten, måste vakuurröret fällas ihop (A, Figur 17) och sänkas till en lägre position (B, Figur 17) och öppna sedan locket till vakuurrör för att tömma vattnet. Låt inte vakuurröret vara vänt uppåt för att tömma vattnet till ett vertikalt utlopp. Detta är att undvika att smutsvatten rinner ut på operatören.



Figur 17

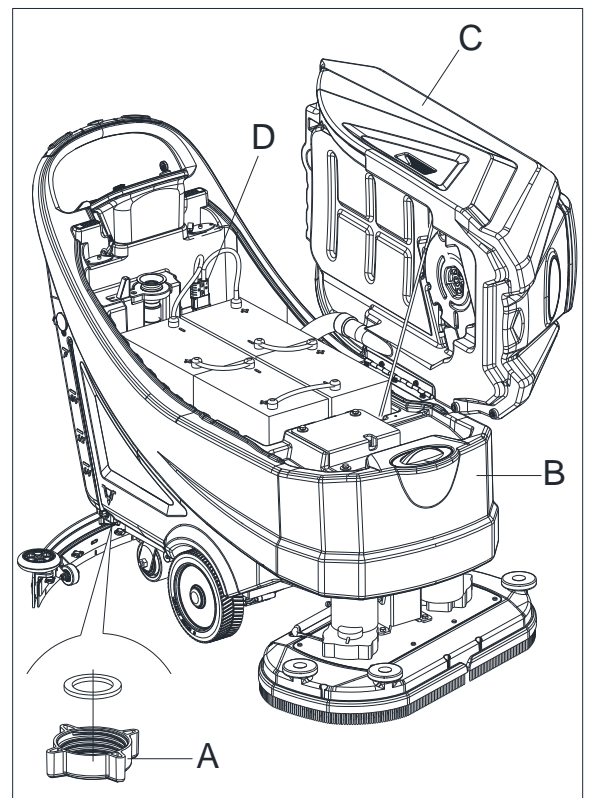
Tömning av lösnings-/vattenbehållaren

1. Töm lösningsbehållaren med utloppslocket (A, Figur 18). Efter att ha arbetat, skölj behållaren med rent vatten.

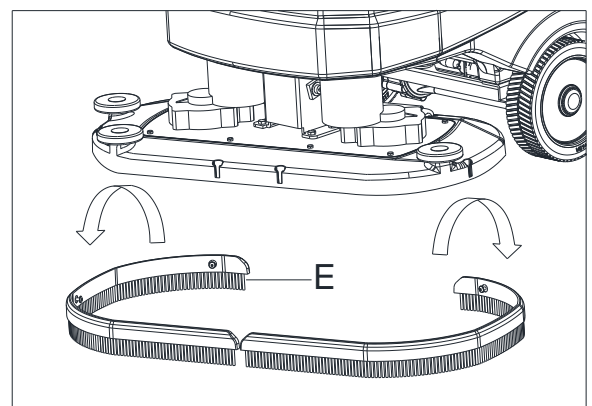
EFTER ATT HA ANVÄNT MASKINEN

Efter arbetet, innan man lämnar maskinen:

1. Ta bort borst-/dynhållarna genom att trycka på utlösningsknappen (44, Figur 3) och rengör dem (endast för singelskurmaskiner).
2. Ta bort stänkskyddet enligt (E, Figur 19) och rengör det. (endast för singelskurmaskiner)
3. Ta bort dynan och rengör den. (endast för orbitala maskiner)
4. Töm behållarna (B och C, Figur 18) som visas i föregående avsnitt.
5. Utför dagligt underhåll (se avsnittet Underhåll).
6. Förvara maskinen på en ren och torr plats med borst-/dynhållarna och gummiskrapan lyft eller borttagen.



Figur 18



Figur 19

MASKINFÖRVARING VID LÅNG INAKTIVITET

Om maskinen inte kommer att användas i mer än 30 dagar, gör följande:

1. Utför de förfaranden som visas i avsnittet ”Efter att ha använt maskinen”.
2. Koppla ifrån batterikontakten (29, Figur 2).

FÖRSTA ANVÄNDNING

Efter de första 8 timmarna, kontrollera maskinens fastsättning och anslutande delar för korrekt åtdragning och kontrollera de synliga delarna för slitage och läckage.

UNDERHÅLL



VARNING!

Underhållsrutiner måste utföras när maskinen är avstängd och batteriets laddningskabel är frånkopplad. Läs noga igenom säkerhetskapitlet i handboken.

Alla schemalagda eller extraordinära underhållsrutiner måste utföras av kvalificerad personal eller en auktoriserad serviceverkstad. Denna handbok beskriver endast de allmänna och vanliga underhållsrutinerna.

För andra underhållsrutiner som inte ingår i underhållsschemat nedan, se servicehandboken som kan konsulteras på alla våra serviceverkstäder.

TABELL ÖVER PLANERAT UNDERHÅLL



FÖRSIKTIGHET!

Åtgärden som anges med (1) måste utföras när maskinen används efter 8 timmar för första gången. Åtgärden som anges med (2) måste utföras av en serviceverkstad som är kvalificerad av vårt företag.

Förfarande	Dagligen, efter varje användning	Varje vecka	Halvårsvis	Varje år
Batteriladdning				
Rengöring av gummiskrapa				
Rengöring av borst-/dynhållare				
Rengöring av behållare				
Inspektion av behållarens förseglingsremsa				
Rengöring av flottörbollfilter				
Rengöring av dyna				
Rengöring av stänkskydd (endast för singelskurmaskiner)				
Kontroll och utbyte av gummiskrapans blad				
Rengöring av vattenfilter				
Rengöring av sugfilter				
Kontroll av vätskenivå för VÅT-batteri				
Kontroll av skruvar och muttrar			(1)	
Nedre isolator (endast för orbitala maskiner)			(2)	
Kontroll och utbyte av borstmotorns kolborste				(2)
Kontroll och utbyte av vakuummotorns kolborste				(2)
Kontroll och utbyte av drivsystemmotorns kolborste				(2)

GİRİŞ

**DİKKAT!**

Bazı genel ve detaylı makine bilgisi bu kılavuz içerisine dahil edilmemiştir.

Lütfen temin edilen CD-ROM'daki HIZLI BAŞLANGIÇ KILAVUZUNU Adobe® Reader® kullanarak okuyun.

**NOT**

Parantez içerisindeki numaralar Makine Tanıtımı bölümünde gösterilen bileşenlere işaret etmektedir.

KILAVUZUN AMACI VE İÇERİĞİ

Bu hızlı başlangıç kılavuzunun amacı kullanıcıya bu makineyi düzgün bir şekilde kullanması için temel bilgileri sunmaktır. Lütfen teknik özellikler, kullanım, makinenin uzun süre kullanılmaması, bakım, yedek parça ve güvenlik koşulları hakkında bilgi için sunulan CD içerisinde yer alan Hızlı Başlangıç Kılavuzuna bakın.

Makine üzerinde herhangi bir prosedür gerçekleştirmeden önce, operatörler ve teknik personel hızlı başlangıç kılavuzunu dikkatlice okumalıdır. Talimatlar konusunda anlaşılmayan herhangi bir husus olduğunda daha detaylı bilgi için şirketimiz ile irtibata geçin.

HIZLI BAŞLANGIÇ KILAVUZUNUN SAKLANMASI

Hızlı başlangıç kılavuzu makinenin yakınında, uygun bir kılıf içerisinde ve herhangi bir hasar görebileceği sıvı veya diğer maddelerden uzakta bulundurulmalıdır.

UYGUNLUK BİLDİRİMİ

Makine ile birlikte verilen Uygunluk Bildirimi, makinenin yürürlükte olan yasalara uyumlu olduğunu tasdik etmektedir.

**NOT**

Orijinal uygunluk bildiriminin kopyaları makine belgeleri ile birlikte sunulmuştur.

AKSESUARLAR VE BAKIM

Gerekli olan tüm işletme, bakım ve onarım prosedürleri kalifiye personel veya şirketimizce belirlenen servis merkezi tarafından yerine getirilmelidir. SADECE yetkilendirilmiş olan yedek parçalar ve aksesuarlar kullanılmalıdır.

Herhangi bir servis, aksesuar veya yedek parça ihtiyacı olduğunda şirketimiz müşteri hizmetleri ile irtibata geçin.

DEĞİŞİKLİK VE GELİŞTİRMELER

Ürünlerimizi sürekli olarak geliştiriyoruz. Şirketimiz ilave bilgi vermeksizin makinede değişiklik ve geliştirme yapma hakkını saklı tutmaktadır.

UYGULAMA ALANI

Fırçalayıcı ticari ve endüstriyel kullanıma uygundur. Yumuşak ve katı zemin üzerinde, kalifiye personel tarafından emniyet tedbirleri çerçevesinde kullanıma uygundur. Dış mekan, halı veya pürüzlü yüzeylerde kullanıma uygun değildir.

MAKİNE TANIMLAMA VERİSİ

Makine seri numarası ve model adı etiket üzerinde işaretlenmiştir.

Bu bilgi kullanışlıdır. Makine için yedek parça isteği yaparken makine tanımlama bilgilerini yazmak için aşağıdaki tabloyu kullanınız.

MAKİNE MODELİ.....
MAKİNE SERİ NUMARASI.....

TAŞIMA VE PAKETİN AÇILMASI

Nakliyeciyi teslim ederken paketin ve makinenin bütün ve hasara uğramamış olduğundan emin olun. Eğer hasar görmüş ise, nakliyeciyeye bildirin ve ürünleri kabul etmeden önce hasarın giderilmesini talep edin.

Makinenin paketini açarken paket üzerindeki talimatlara tamamen uyun.

Paket içerisinde aşağıdakilerin bulunduğunu kontrol edin:

1. Teknik belgeler hızlı başlangıç kılavuzu
2. Parça listesi (*).
3. Batarya bağlantısı.
4. Elektronik batarya şarj cihazı kılavuzu (takılıysa) (*)

GÜVENLİK

Aşağıdaki semboller potansiyel olarak tehlikeli durumları ifade etmektedir. Bu bilgiyi daima büyük bir dikkatle okuyun ve insanların ve eşyaların güvenliğini sağlamak için gereken tüm tedbirleri alın.

MAKİNE ÜZERİNDEKİ GÖRÜNÜR SEMBOLLER**UYARI!**

Makine üzerinde herhangi bir operasyon gerçekleştirmeden önce tüm talimatları dikkatlice okuyun.

**UYARI!**

Makineyi doğrudan veya basınçlı su ile yıkamayın.

**UYARI!**

Makineyi özelliklerinde belirtilenden daha fazla eğimde kullanmayın.

HIZLI BAŞLANGIÇ KILAVUZUNDA YER ALAN SEMBOLLER**TEHLİKE!**

Operatörün ölüm riski de dâhil olmak üzere tehlikeli bir durumu göstermektedir.

**UYARI!**

İnsanların karşılaşılabileceği potansiyel yaralanma riskini gösterir.

**DİKKAT!**

Önemli veya faydalı fonksiyonlara ilişkin bir uyarıyı veya işareti belirtir.
Bu sembol ile işaretlenen paragraflara dikkat edin.

**NOT**

Önemli veya kullanışlı fonksiyonlara işaret etmektedir.

**DANIŞMA**

Herhangi bir işlem yapmadan önce hızlı başlangıç kılavuzuna başvurma gerekliliğini belirtir.

GENEL GÜVENLİKTALİMATLARI

İnsanlara ve makineye karşı meydana gelebilecek potansiyel hasarlar hakkında bilgi vermek için belirlenen uyarı ve dikkat çekilecek hususlar aşağıda gösterilmiştir.



TEHLİKE!

- Bu makine eğitilmiş ve yetkili bir personel tarafından kılavuza uygun olarak çalıştırılmalıdır.
- Herhangi bir temizlik, bakım, tamirat veya değişim işlemi gerçekleştirilmeden önce bütün talimatları dikkatlice okuyun, makineyi KAPATTIĞINIZDAN ve batarya bağlantısını çıkardığınızdan emin olun.
- Makineyi zehirli, tehlikeli, yanıcı ve/veya patlayıcı toz, sıvı veya buharların yakınında çalıştırmayın. Makine tehlikeli tozların toplanması için uygun değildir.
- Elektrikli parçalar yakınında çalışırken ziynet eşyası takmayın.
- Güvenlik dayanakları ile desteklemeden, lifte alınmış makine altında çalışmayın.
- Kurşun (ISLAK) batarya kullanılırken, normal kullanım şartlarında yanıcı gaz yayabilir, kıvılcım, alev, duman çıkaran ve ısıya yapan, aydınlatıcı ve yanıcı malzemeler bataryadan uzak tutulmalıdır.
- Kurşun (ISLAK) bataryaları şarj ederken, patlamaya sebep olabilecek hidrojen gazı yayabilirler. Şarj ortamının iyi havalandırıldığından ve çıplak alevden uzak olduğundan emin olun.



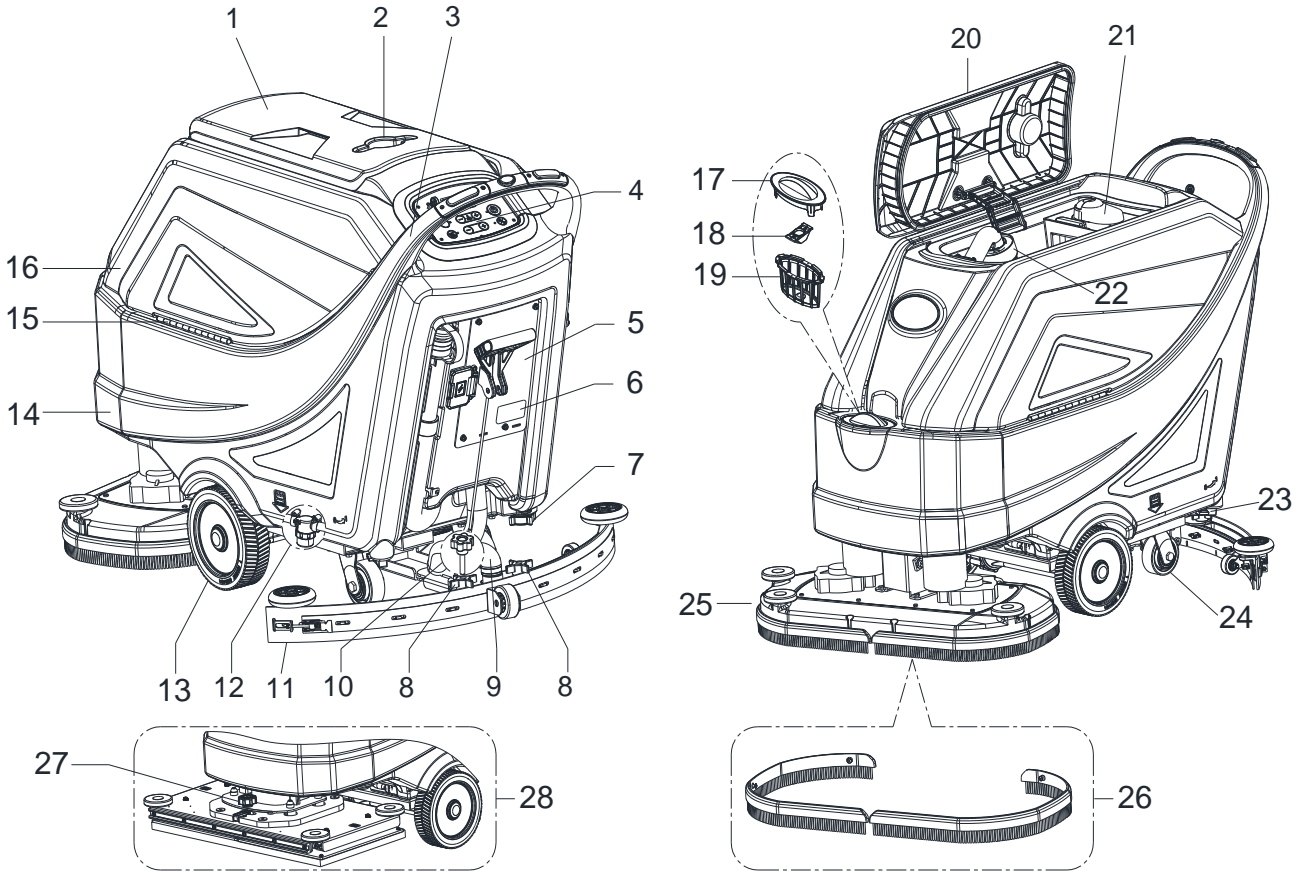
UYARI!

- Bu makine TİCARİ KULLANIM amaçlıdır (oteller, okullar, hastaneler, fabrikalar, mağazalar, ofisler ve kiralık işletmeler gibi).
- Gözetimsiz bırakılan makinelerin, istemsiz yapılan eylemlere karşı güvenliğini sağlayın.
- Makinenin yetkisiz kişiler tarafından kullanılmasını önlemek için güç kaynağı kapatılmalı veya kilitlenmelidir örneğin; ana şalter veya kontak anahtarını çıkararak.
- Her kullanım öncesi makineyi dikkatli bir şekilde kontrol edin. Kullanımdan önce tüm bileşenlerin doğru bir şekilde birleştiğinden emin olun. Yoksa insan veya malzemeye zarar verebilirler.
- Şarj cihazını kullanmadan önce prizdeki frekans ve voltaj değerlerinin makinenin seri numarası etiketi üzerinde yazılanlar ile uyumlu olduğundan emin olun.
- Makineyi asla batarya şarj cihazı kablosundan çekerek hareket ettirmeyin. Kabloyu asla kapalı kapı veya keskin kenar veya köşelere sahip döner kapıdan geçirmeyin. Makineyi batarya şarj kablosu üzerinden geçirmeyin. Batarya şarj kablosunu sıcak yüzeylerden uzak tutun.
Batarya şarj cihazı kablosu veya fiş hasarlı ise bataryaları şarj etmeyin.
- Yangın, elektrik çarpması veya yaralanma riskini azaltmak için makinenin yanından ayrılmadan önce makinenin kapalı olduğundan emin olun.
- Makineyi iç mekânlarda kuru şartlarda kullanın veya saklayın. Dış mekân kullanımı için uygun değildir.
- Depolama ve çalışma sıcaklığı 0°C ile +40°C arasında olmalıdır, havanın nem oranı %30 ile %95 arasında olmalıdır.
- Makineyi özelliklerinde belirtilenden daha fazla eğimde kullanmayın.
- Temizleme deterjanlarını kullanırken ve bunlara muamele ederken deterjan kutuları üzerindeki talimatlara uyun ve uygun eldiven ve koruma giyin.
- Makine ile birlikte verilen veya özellikle kullanım kılavuzunda belirtilen fırça ve keçeleri kullanın. Diğer fırça ve keçelerin kullanılması güvenliği azaltabilir.
- Lütfen makinenin bakım eksikliğinden arızalanmasına müsaade etmeyin. Eğer gerekli ise yetkili personel veya yetkili Servis Merkezinden yardım isteyin.
- Saç, takı ve bol giysilerin makinenin hareket eden parçalarına takılmasını engellemek için gereken tüm tedbirleri alın.
- Makineyi özellikle tozlu alanlarda kullanmayın.

- Makineyi doğrudan veya basınçlı su ile veya korozyona sebep olabilecek maddelerle yıkamayın.
- Makineyi özellikle de nesnelere düşme riskinin olduğu raf veya yapı iskelelerine çarpmayın.
- Makine üzerindeki sıvı kaplarını yatırmayın, ilgili kap tutucusunu kullanın.
- Zemine zarar vermesini engellemek için fırça/keçenin makineye sabit iken çalışmasına müsaade etmeyin.
- Yangın durumunda lütfen kuru toz ihtiva eden yangın söndürücü kullanın. Sıvı yangın söndürücü kullanmayın.
- Makine etiketlerini sökmeyin veya değiştirmeyin.
- Makinenin güvenlik korumalarını kurcalamayın ve olağan bakım talimatlarını titizlikle takip edin.
- Hava sıcaklığının sıfırın altında olduğu şartlarda makineyi taşırken dikkatli olun. Geri kazanım tankında veya borularda yer alan su donabilir ve makineye ciddi hasar verebilir.
- Şayet yedek parça değişimine ihtiyaç var ise Yetkili Satıcı veya Perakendecilerden ORJİNAL yedek parça siparişi verin.
- Makine olağan şekilde çalışmaz ise veya hasarlı, dış mekâna yerleştirilmiş, suya düşürülmüş gibi bir durumda ise Servis Merkezine geri gönderin.
- Makinenin uygun ve güvenli kullanımını sağlamak için bu Kılavuzun ilgili bölümünde gösterilen bakım takviminde yer alan bakımlar yetkili bir personel veya yetkili Servis Merkezi tarafından gerçekleştirilmelidir.
- Özel merkezlerde (bkz. Hurdaya Ayırma bölümü) elden çıkarılmayı gerektiren belirli standartlara konu olan zehirleyici, zarar verici malzemelerin (bataryalar vb.) varlığı nedeniyle makine uygun bir şekilde elden çıkarılmalıdır.
- Bu makine yalnızca temizleme işlemleri için kullanılır, başka bir amaç için kullanılamaz.
- Girişleri, her zaman hava akışını azaltabilecek toz, saç ve diğer her tür yabancı maddelerden uzak tutun. Eğer girişleri tıkanık ise makineyi kullanmayın.
- Makineyi ancak uygun ışığın var olduğu şartlarda kullanın.
- Bu makine fiziksel, algısal veya zihinsel yetenekleri az olan veya deneyim ve bilgisi olmayan kişiler (çocukla dahil) tarafından kullanılmamalıdır.
- Çocukların yakınında kullanılırken çok dikkatli olunmalıdır.
- Çocuklar, makine ile oynamadıklarından emin olmak için gözetim altında bulundurulmalıdır.
- Bu makineyi kullanırken insan veya nesnelere zarar vermemesine dikkat edin.
- Temizlik ve bakım işlemleri ebeveynlerinin gözetimi olmadan çocuklar tarafından yapılmamalıdır.

MAKİNE TANITIMI**MAKİNE YAPISI (Şekil 1'de gösterildiği gibi)**

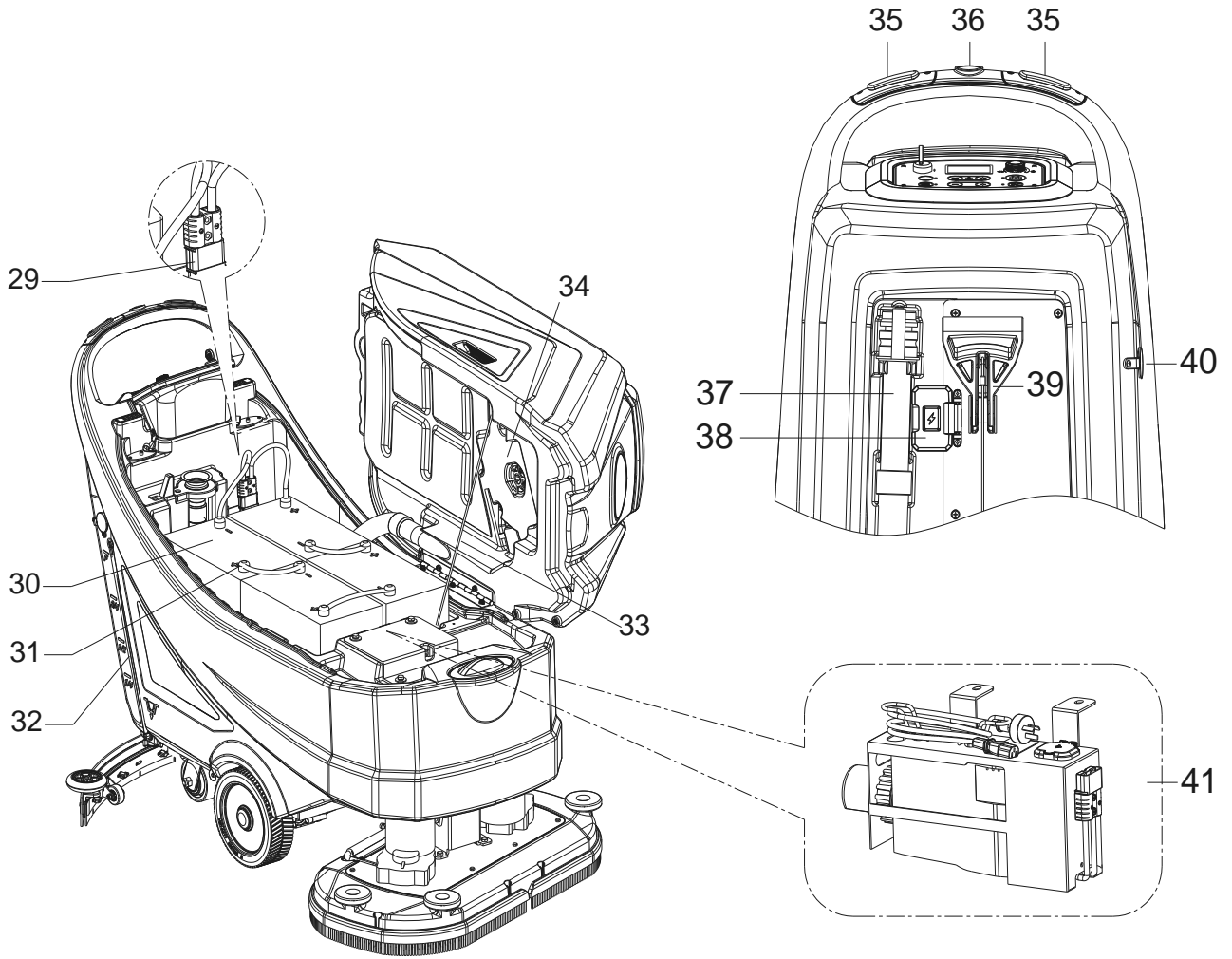
1. Geri kazanım tankı kapağı
2. Kap tutucu
3. Gidon
4. Kontrol paneli
5. Kontrol kutusu
6. Seri numara plakası/teknik veri
7. Çıkış kapağı
8. Silecek topuzları
9. Silecek vakum hortumu
10. Silecek denge ayarlama topuzu
11. Silecek
12. Solüsyon filtresi
13. Direksiyon simitleri
14. Solüsyon tankı
15. Mentеше
16. Geri kazanım tankı
17. Filtre kapağı
18. Doldurma hortumu tutucu
19. Filtre desteği
20. Tank kapak contası
21. Birikinti toplama kutusu
22. Şamandıra top filtresi
23. Solüsyon/temiz su musluğu
24. Arka direksiyon
25. Fırça sistemi (yalnızca disk makinesi için)
26. Sıçrama korumalıđı
27. Orbital kafa ayarlama topuzu
28. Orbital sistem (yalnızca orbital makine için)

**Şekil 1**

MAKİNE YAPISI (Şekil 2'de gösterildiği gibi)

- 29. Batarya bağlantısı (kırmızı)
- 30. Bataryalar (*)
- 31. Batarya kapakları
- 32. Su seviye göstergesi tüpü
- 33. Tank emniyet kablosu
- 34. Vakum sistemi
- 35. Güvenlik anahtarı

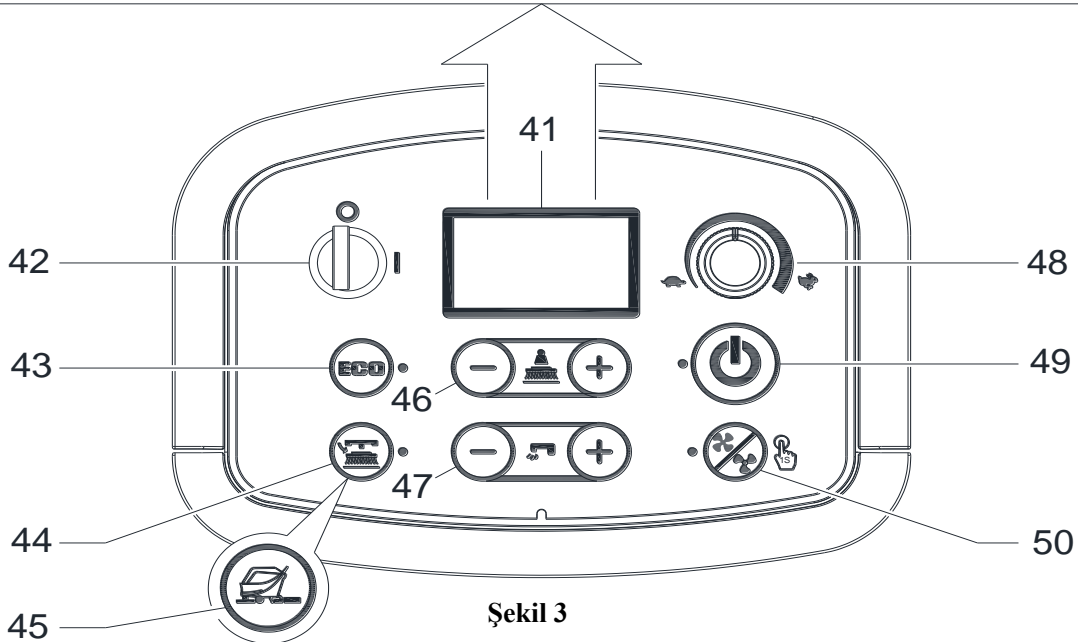
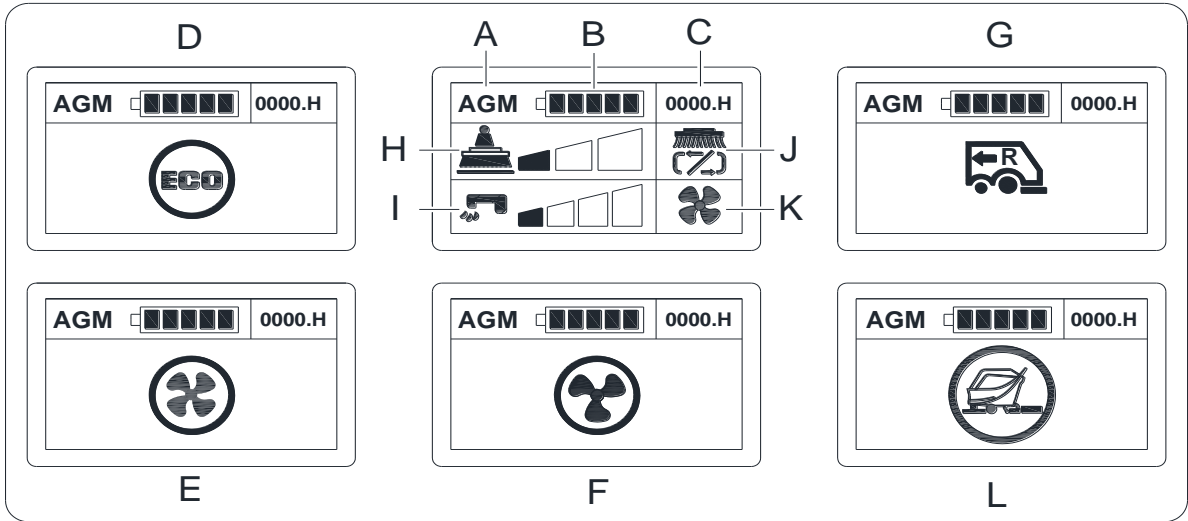
- 36. Makine geri anahtarı
- 37. Geri kazanım su atık borusu
- 38. Şarj prizi güvenlik kapağı
- 39. Silecek kaldırma/indirme kolu
- 40. Solüsyon tankı doldurma kapağı
- 41. Dahili Şarj Cihazı (*)
- (*): Opsiyonel



Şekil 2

KONTROL PANELİ (Şekil 3'de gösterildiği gibi)

41. Çok fonksiyonlu ekran
Görüntülenen öğeler:
A) Batarya tipi
B) Batarya şarj seviyesi
C) Çalışılan saatler
D) ECO modu
E) Vakum normal modu
F) Vakum sessiz modu
G) Geri modu
H) Ekstra basınç aktif
I) Deterjan solüsyonu akış miktarı
J) Fırça çalışma modu
K) Vakum modu
L) Zemin hazırlık modu
42. Kontak anahtarı (0 - I)
43. ECO modu düğmesi
• Aşağıdaki fonksiyon için LED aktive edilir
• minimum seviyede su akışı (seviye 1)
• basınç minimum seviyede (seviye 1)
• Sessiz modda vakum
44. Fırça/Keçe tutucu açma düğmesi (yalnızca disk makinesi için)
• Yanıp sönen LED-açma sistemi aktif
45. Zemin hazırlık düğmesi (yalnızca orbital makine için)
• Hareket hızı önceden 1 km/saate ayarlı
• Aşağıdaki fonksiyon için LED aktive edilir
• minimum seviyede su akışı (seviye 1)
• maksimum seviyede basınç (seviye 3)
• Normal modda vakum
46. Fırça basıncı ayarlama düğmesi
47. Solüsyon akışı ayarlama düğmesi
48. Hız ayarlayıcı
49. Tek düğmeyle başlatma
• Aşağıdaki fonksiyon için LED aktive edilir
• minimum su sistemi (seviye 1)
• basınç minimum seviyede (seviye 1)
• vakum sistemi normal
50. Vakum sistemi ayarlama düğmesi (aktivasyon için düğmeye 1 sn basın)
• LED normal modda açık
• Yanıp Sönen LED-Sessiz modu



Şekil 3

TEKNİK ÖZELLİKLER

Parametre Tipi	Birimler	Model		
		AS6690T	AS7690T	AS7190TO
Solüsyon tankı kapasitesi	L / Gal	85 L / 22 Gal.		
Geri kazanım tankı kapasitesi	L / Gal	90 L / 24 Gal.		
Makine Uzunluğu	mm/inç	1490 mm/ 59 inç	1550 mm/ 61 inç	1490 mm/ 59 inç
Silecekli makine genişliği	mm/inç	830 mm / 33 inç	950 mm / 38 inç	
Silecek olmadan makine genişliği	mm/inç	730 mm/29 inç	830 mm/33 inç	750 mm/30 inç
Makine Yüksekliği	mm/inç	1020 mm/40,2 inç		
Çalışma genişliği	mm/inç	660 mm/26 inç	760 mm/30 inç	710 mm/28 inç
Direksiyon simitleri çapı	mm/inç	230 mm/9 inç		
Zemin üzerinde direksiyon simidine özgü basınç	N/mm ²	0,67 N/mm ²		
Arka tekerlek çapı	mm/inç	101 mm/4 inç		
Zemin üzerinde arka tekerleğe özgü basınç	N/mm ²	0,82 N/mm ²		
Fırça/Keçe çapı	mm/inç	330 mm x 2 / 13 inç x 2	380 mm x 2 / 15 inç x 2	355 x 710 mm / 14 x 28 inç
Fırça/Keçe basıncı (maks.)	Kg/Lb.	32 Kg /71 Lb 41 Kg /90 Lb 49 Kg /108 Lb	35 Kg /77 Lb 43 Kg /95 Lb 51 Kg /112 Lb	42 Kg / 93 Lb 54 Kg / 120 Lb 65 Kg / 143 Lb
Ayar başına solüsyon akışı (maks)	Dakika başına L / Gal	(0,9/1,5/2,2/3) Litre (0,24/0,39/0,58/0,79) Gal		(0,6/1,1/1,9/2,5) Litre (0,16/0,29/0,5/0,66) Gal
Ses basıncı seviyesi	dB (A)	69 ± 3 dB (A)		
ECO modda veya sessiz modda ses basıncı seviyesi	dB (A)	65 ± 3 dB (A)		
Kol Titreşim Seviyesi (maks.)	m/s ²	< 2,5 m/s ²		
Tırmanma kapasitesi (maks.)	% eğim	2%		
Min. koridor dönüşü	mm/İnç	155 cm/61 inç	165 cm/65 inç	160 cm/63 inç
Tahrik motoru Gücü	Watt / H.P.	250 W / 0,33 HP		350 W / 0,47 HP
Çalışma Hızı	Saatte Km / Mil	Saatte 0 - 4,0 Km / 0 - 2,5 Mil		Saatte 0 - 3, 2 Km / 0 - 2,0 Mil
İleri hız	Saatte Km / Mil	Saatte 0 - 4,0 Km / 0 - 2,5 Mil		
Geri hız	Saatte Km / Mil	Saatte 0 - 2,0 Km / 0 - 1,25 mil		
Vakum motor gücü	Watt / H.P.	500 W / 0,66 HP		
Vakum kapasitesi	mm/inç H ₂ O	1500 mm / 60 inç H ₂ O		
ECO modda veya sessiz modda vakum kapasitesi	mm/inç H ₂ O	900 mm / 35 inç H ₂ O		
Fırça motor gücü	Watt / H.P.	500 x 2 Watt / 0,66 x 2 HP		750 Watt / 1,0 HP
Normal modda fırça hızı	RPM	200 RPM		2200 RPM
ECO modunda fırça hızı	RPM	160 RPM		1600 RPM
IP koruma sınıfı	IP	IP24		
Harici şarj cihazı ile Batarya Bölmesi Boyutu (U x G x Y)	mm/inç	(620 x 385 x 390) mm / 24,4 x 15,1 x 15,3 inç		
Dahili şarj cihazı ile Batarya Bölmesi Boyutu (U x G x Y) (*)	mm/inç	(535 x 385 x 390) mm / 21 x 15,1 x 15,3 inç		
Voltaj	DC	24 V		
Bataryalar (*)	Ah	Yok		
Batarya çalışma süresi (standart bataryalar) (*)	Saat	4 saate kadar		
Dahili Şarj Cihazı (*)	Volt/Amper	24V 25A		
Verimlilik (maks)	m ² /sa	2640 m ² /sa	3040 m ² /sa	2272 m ² /sa
Boş tanklar ile (bataryasız) makinenin ağırlığı	Kg/Lb.	135 Kg / 298 Lb.	138 Kg/304 Lb.	148 Kg/326 Lb.
Brüt Araç Ağırlığı (GVW)	Kg/Lb.	347 Kg / 765 Lb.	350 Kg / 772 Lb.	360 Kg / 794 Lb.
Sevkiyat Ağırlığı	Kg/Lb.	202 Kg / 444 Lb.	205 Kg / 451 Lb.	215 Kg / 473 Lb.
Paket boyutları (U x G x Y)	mm/inç	(1620 x 810 x 1200 mm) / (64 x 32 x 48 İnç)	(1660 x 910 x 1200 mm) / (66 x 36 x 48 İnç)	

(*) Opsiyonel

ÇALIŞTIRMA KILAVUZU

**UYARI!**

Makinenin bazı noktalarında şu uyarıları gösteren yapıştırma plakalar mevcuttur:

- TEHLİKE!
- UYARI!
- DİKKAT!
- DANIŞMA

Bu Kullanım Kılavuzunu okurken, kullanıcı etiketlerde gösterilen sembollere özel dikkat göstermelidir. Bu plakaları hiç bir sebeple kapatmayın ve eğer zarar görürlerse hemen yenisiyle değiştirin.

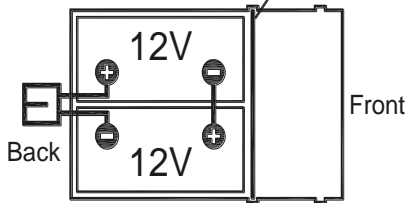
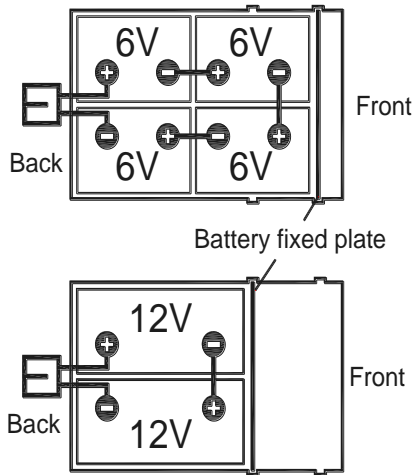
YENİ MAKİNEDE BATARYA KONTROLÜ/AYARI

**UYARI!**

Eğer bataryalar yanlış bir şekilde yerleştirilir veya bağlanırsa makinenin elektrikli bileşenleri ciddi şekilde zarar görebilir. Bataryalar sadece kalifiye bir personel tarafından yerleştirilmelidir. Elektronik kart fonksiyonunu ve gömülü batarya şarj cihazını kullanan batarya tiplerine göre (ISLAK veya JEL/AGM bataryalar) ayarlayın. Takmadan önce bataryaların hasarlı olup olmadığını kontrol edin. Batarya bağlantısını ve şarj cihazı fişini çıkarın. Bataryalara dikkatli bir şekilde muamele edin. Makine ile birlikte verilen batarya terminali koruma kapaklarını takın.

Makinelere monte edilmiş durumdaki bataryalar

1. Batarya bağlantısının (29, Şekil 2) yapıldığından emin olun.
2. Makineyi yeni bataryalarla ilk kez kullandığınızda, tam bir şarj işlemi gerçekleştirin (Bakım bölümündeki prosedüre bakın).

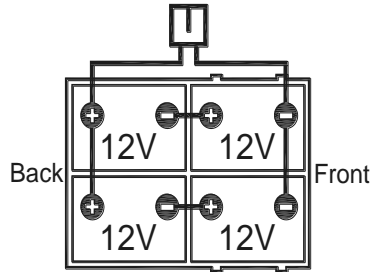


Şekil 4

**NOT**

Makine iki adet 12V batarya ya da dört adet 6V batarya kullanmaktadır ve aşağıdaki şemaya göre bağlanır (Şekil 4).

Batarya sabit plakasını doğru şekilde yerleştirin (Şekil 4).



Bataryasız

1. Uygun bataryaları satın alın (bkz. "Teknik Veriler" paragrafı). Batarya seçimi ve kurulumu için kalifiye batarya satıcılarına başvurun.
2. Makineyi, Bakım bölümünün Süper Kullanıcı anahtar bölümünde gösterildiği gibi takılan batarya tipine göre ayarlayın.

BATARYA KURULUMU VE BATARYA TİPİNİN AYARLANMASI (WET OR GEL/AGM OR DIS OR ENES)

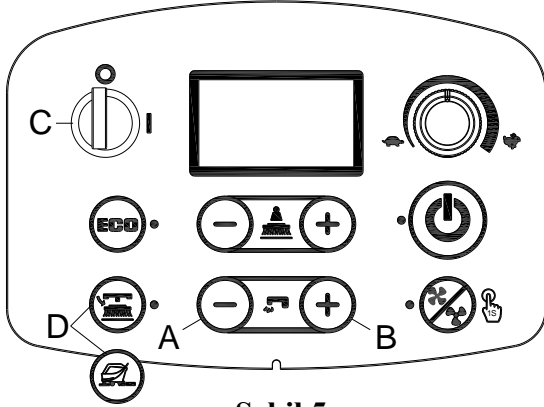
Batarya kurulumu

1. Geri kazanım tank kapağını açın (1, Şekil 1) geri kazanım tankının (16) boş olup olmadığını kontrol edin; eğer boş değilse boşaltma hortumu ile boşaltın. (37, Şekil 2)
2. Geri kazanım tank kapağını kapatın (1, Şekil 1).
3. Geri kazanım tankını dikkatlice (16, Şekil 1) kaldırın.
4. Makine, iki adet 12V batarya veya dört adet 6V batarya takmaya uygun kablolarla birlikte verilir. Bataryaları yerine dikkatlice yerleştirin ve doğru bir şekilde monte edin. Batarya sabit plakasını doğru şekilde yerleştirin (Şekil 4).
5. Batarya kablosunu gösterildiği gibi (Şekil 4) yerleştirin ve takın, daha sonra her bir terminal üzerindeki somunu dikkatlice sıkın.
6. Her bir terminal üzerindeki koruyucu kapağı yerleştirin ve daha sonra batarya bağlantısını bağlayın (29, Şekil 2).
7. Geri kazanım tankını dikkatlice alçaltın (16, Şekil 1).

Batarya tipi ayarı (WET OR GEL/AGM OR DIS OR ENES)

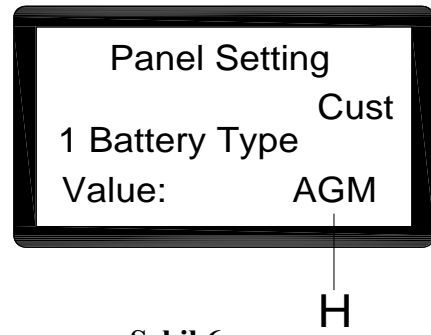
Batarya modunu seçmek için erişim

Batarya türüne (ISLAK veya JEL/AGM) göre makineyi aşağıdaki şekilde ayarlayın:



Şekil 5

Access to select battery mode



Şekil 6

1. Su akış düğmelerine "+" (A, Şekil 5) ve "-" (B, Şekil 5) aynı anda basın.
2. Kontak anahtarını (C, Şekil 5) takın ve "I" pozisyonuna getirin.
3. Birkaç saniye sonra batarya modunu seçme ekranına girin (Şekil 6)
4. Su akış düğmelerine "-" (A, Şekil 5) ve "+" (B, Şekil 5) basarak batarya modunu seçin (H, Şekil 6)
5. Disk sürümü için serbest bırakma düğmesine veya yörunge sürümü için zemin hazırlama düğmesine basın (D, Şekil 5), 3 saniye sonra gösterilen "Güncelleme OK" ayarın başarılı olduğunu belirtir; yeniden başlatmak için cihazı açın. (C, Şekil 5)

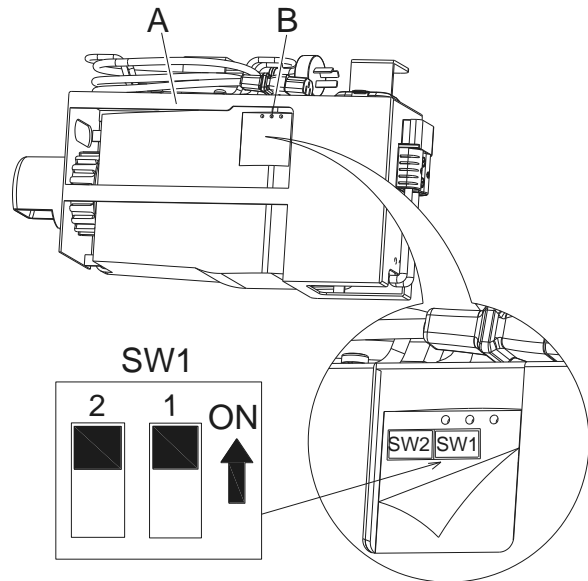
Batarya şarj cihazı ayarı (yalnızca takılıysa dahili şarj cihazı için)



UYARI!

Profesyonel eğitiminiz olmadıkça şarj cihazını ayarlamayın

1. Makineyi kapatın ve dahili şarj cihazını (A, Şekil.7) makineden çıkarın. Ardından şarj cihazı kapağındaki etiketi sökün (B, Şekil.7). Şarj cihazında 2 set dipsviç (SW1 ve SW2) bulacaksınız.
2. Sadece dipsviç SW1 (sol taraftaki) setinin aşağıdaki tabloya göre şarj eğrisi seçimi üzerinde etkisi vardır.



Şekil 7

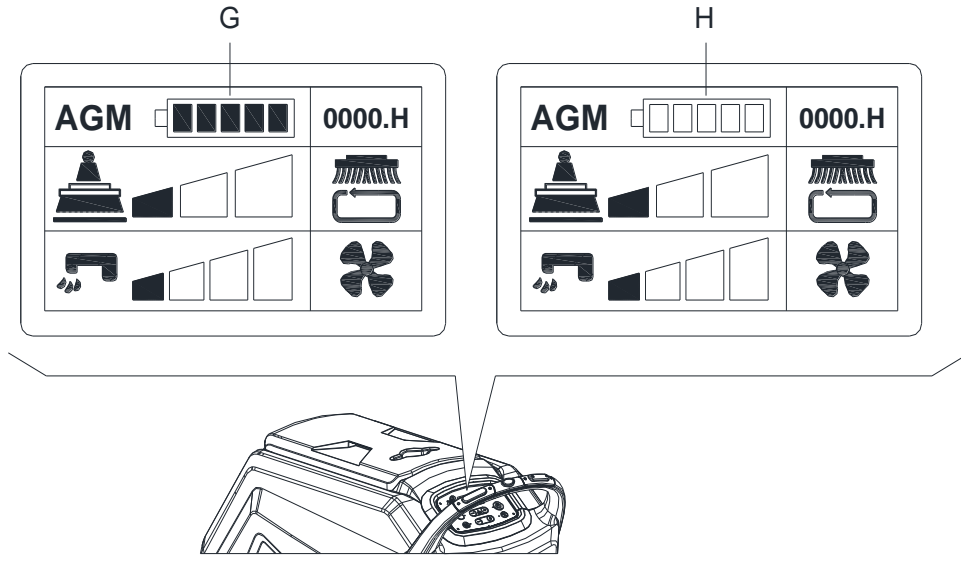
DP1	DP2	ŞARJ EĞRİSİ
AÇIK	KAPALI	Kurşun-asit (Islak) bataryalar için IUIa-ACD
KAPALI	KAPALI	Exide-Sonnenschein Jel bataryalar için IUIa-GEL
KAPALI	AÇIK	Diğer üreticilerin HAZE Jel ve AGM bataryaları için IUU0-GEL
AÇIK	AÇIK	Discover AGM bataryalar için IUIUa-AGM

Batarya şarjı

Bataryaları tam olarak şarj edin (Bakım bölümündeki prosedüre bakın).

Batarya deşarjı

Batarya deseni dolduğunda (G, Şekil 8), bataryalar makinenin normal çalışmasına izin verir. Batarya deseni düşük olduğunda (H, Şekil 8), bataryalar şarj edilmelidir. Düşük batarya deseni gösterildikten birkaç saniye sonra, tahrik sistemi açıkken fırça/keçe tutucu otomatik olarak kapatılır. Makineyi hemen belirlenmiş şarj alanına götürün.



Şekil 8



DİKKAT!

Bataryalar boşaldığında, bu durum ömürlerini kısalttığından, mümkün olan en kısa sürede şarj edin. Haftada en az bir kez batarya şarjını kontrol edin.

FIRÇA/KEÇE TUTUCU MONTAJI VE SÖKÜLMESİ (yalnızca disk makinesi için)**NOT**

Fırça (A, Şekil 9) veya keçe tutucuyu (B ve C Şekil 9) temizlenecek olan zemin tipine göre takın.

**DİKKAT!**

Fırça veya keçe tutucunun takılması veya çıkarılmasından önce, makinedeki tüm anahtarların kapalı konumda olduğundan ve sileceğin yerden kaldırıldığından emin olun. Kullanıcı kaza riskini azaltmak için eldiven gibi uygun kişisel koruma cihazları ile donatılmış olmalıdır.

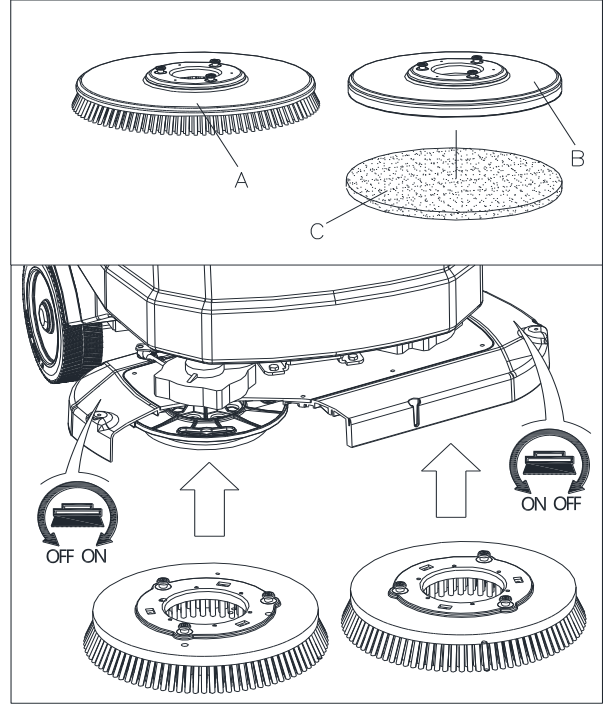
Şu şekilde devam edin:

KURULUM:

1. Kontak anahtarını (42, Şekil 3) takın ve "I" pozisyonuna getirin. İskeleyi kaldırın. Kontak anahtarını (42) çıkararak makineyi kapatın.
2. Hız ayarlayıcısını (48) saat yönünün tersine çevirerek boş konuma getirin.
3. Fırçaları (A, Şekil 9) veya keçe tutucuyu (B) iskelenin altına yerleştirin.
4. Fırça/keçe tutucuyu normal dönüş yönünün tersi yönde çevirerek manuel yöntemi kullanıp parçaları takın. (Şekil 9'da gösterildiği gibi)

SÖKME:

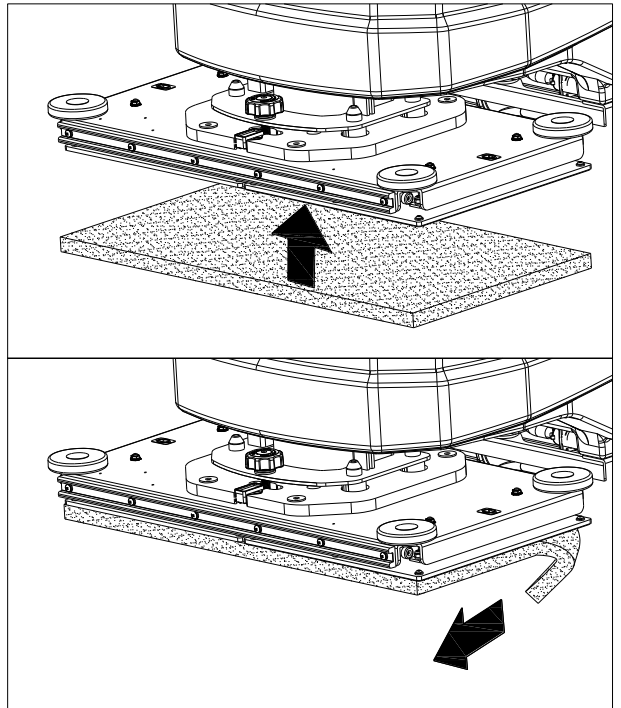
1. Kontak anahtarını (42, Şekil 3) takın ve "I" pozisyonuna getirin. Fırça/keçe tutucuyu çıkarmak için Fırça/keçe tutucu serbest bırakma düğmesine (44) basarak iskeleyi kaldırın, bu şekilde fırça/keçe tutucu otomatik olarak serbest bırakılır.



Şekil 9

KEÇE MONTAJI VE SÖKÜLMESİ (yalnızca orbital makine için)

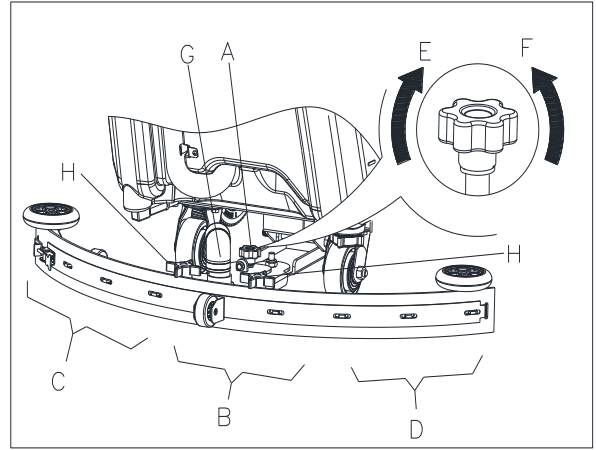
1. Kontak anahtarını (42, Şekil 3) takın ve "I" pozisyonuna getirin. İskeleyi kaldırın. Kontak anahtarını çıkararak makineyi kapatın.
2. Manuel yöntem ile keçeyi (Şekil 10)'daki gibi takın veya çıkarın



Şekil 10

SİLECEĞİN DENGESİNİN AYARLANMASI

1. Sileceđi yerleřtirin ve somunları (H, Őekil 11) takın, daha sonra vakum hortumunu (G) sileceđe takın.
2. Sileceđi silecek ayarlama kolu (A, Őekil 11) ile ayarlayın.
 - a) Eđer arka silecek bıçađının (B) zemin ve orta bölümü arasında boşluk var ise topuzu (A) saatin aksi yönünde (F) arka silecek bıçađının tüm bölümleri zemin ile iyi bir Őekilde temasa geçecek ve ön bıçak zemine, hafifçe temas edecek Őekilde ayarlayın.
 - b) Eđer arka bıçađın zemin ve her iki ucu arasında boşluk var ise (C ve D) topuzu (A) saat istikametinde (E) arka silecek bıçađının tüm bölümleri zemin ile iyi bir Őekilde temasa geçecek ve ön bıçak zemine hafifçe temas edecek Őekilde ayarlayın.

**Őekil 11****SOLÜSYON TANKINI DOLDURMA**

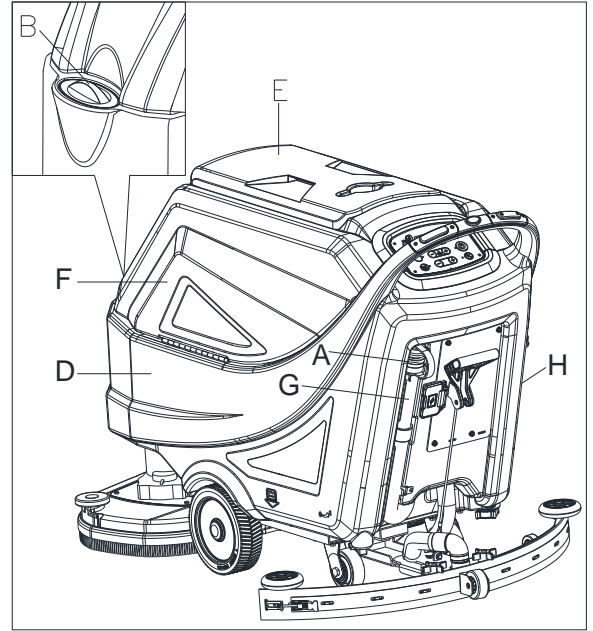
1. Su giriř kapađını açın (B, Őekil 12).
2. Filtreli su giriřinden iř performansına uygun olan su veya solüsyonu doldurun.
Solüsyon sıcaklıđı +104F (+40°C) 'yi ařmamalıdır.
3. Tankı fazla doldurmayın, su hacmi için su seviye göstergesine (H) bakın.

**UYARI!**

Sadece otomatik ovma uygulamaları için olan düşük köpüklü, yanmaz deterjanları kullanın.

MAKİNEİN ÇALIŐTIRILMASI VE DURDURULMASI**Makinenin çalıştırılması**

1. Daha önceki paragrafta gösterildiđi Őekilde makineyi hazırlayın.
2. Kontak anahtarını (A, Őekil 13) takın ve "I" pozisyonuna getirin. Ekrandan Bataryaların durumunu kontrol edin. Gerekirse bataryaları řarj edin (Bakım bölümündeki prosedüre bakın).
3. Makineyi çalışma alanına götürün:
 - İleri gitmek için güvenlik anahtarına (F) veya geri gitmek için güvenlik anahtarına (F) geri hareket düđmesi (G) ile birlikte basarak. İleri hız, hız ayarlayıcısı (H) ile ayarlanabilir.
4. Sileceđi (I) Silecek kaldırma/indirme kolu (J) ile indirin.
5. Tek düđmeyle başlatmaya (L) basarak, fırça/keçe tutucu iskelesini (K) indirin.
6. Solüsyon akışı kontrol anahtarlarına (O) gerçekleştirilecek olan iřin türüne göre gerektiđi Őekilde basın.
7. Temizlemeye başlayın:
 - Makine tahriđini etkinleřtirmek için güvenlik anahtarına (F) basın. Gerekirse, ileri hız, ayarlayıcı (H) ile ayarlanabilir.

**Őekil 12**

**NOT**

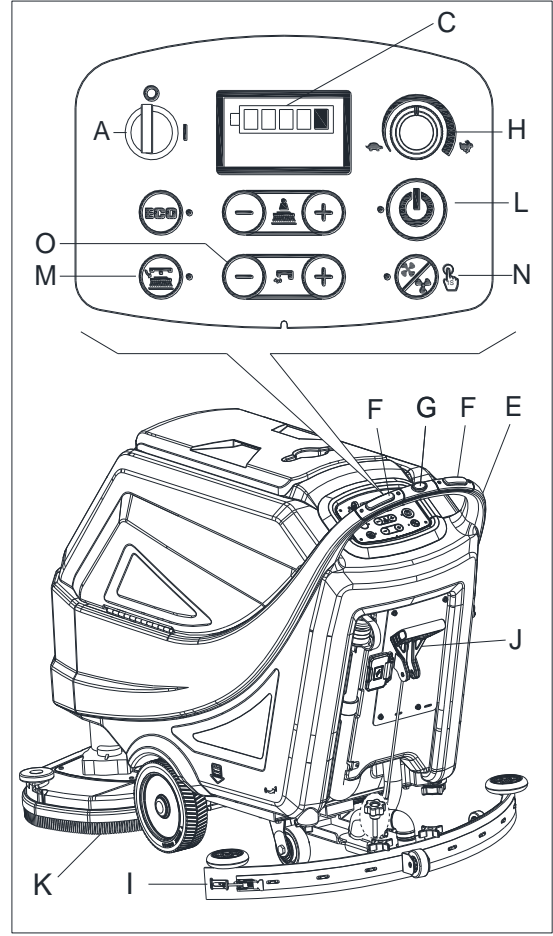
Makineyi ileri hareket ettirmek için sağ ya da sol güvenlik anahtarına (F, Şekil 13) veya her ikisine birden basın.

Makinenin durdurulması

8. Güvenlik anahtarlarını serbest bırakarak makineyi durdurun (F, Şekil 13)
9. Fırçalar durur. Vakum sistemi birkaç saniye sonra durur.
10. Tek düğmeyle başlatmaya (L) basarak, fırça/keçe tutucu iskelesini (K) kaldırın.
11. Sileceği (I) Silecek kaldırma/indirme kolu (J) ile kaldırın.
12. Kontak anahtarını (A)'dan "0" konumuna çevirin.
13. Makinenin bağımsız olarak hareket etmediğinden emin olun.

MAKİNEİNİN ÇALIŞTIRILMASI (SİLME VE KURUTMA)

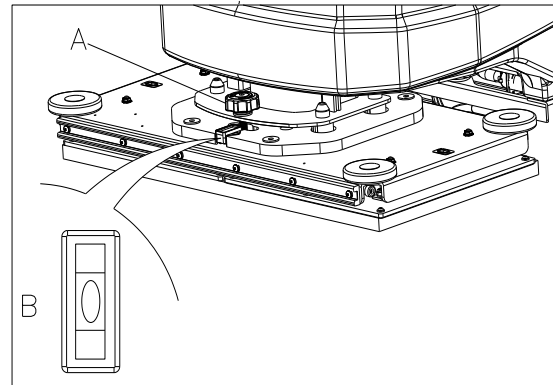
1. Önceki paragraflarda gösterildiği gibi makineyi başlatın.
2. Güvenlik anahtarına basarken (35, Şekil 2), makineyi hareket ettirin ve zemini silmeye/kurutmaya başlayın.
3. Gerektiğinde, makineyi durdurun ve daha sonra sileceği "Silecek dengesinin ayarlanması" bölümüne göre ayarlayın.



Şekil 13

ORBİTAL İSKELE SEVİYESİNİN AYARLANMASI (SADECE ORBİTAL MAKİNE İÇİN)

1. Kontak anahtarını (42) takın ve "I" pozisyonuna getirin. Tek düğmeyle başlatmaya (49) basarak, fırça/keçe tutucu iskelesini (25) indirin.
2. Kabarcık merkezde olacak şekilde (B, Şekil 14) kolu (A, Şekil 14) ayarlayarak orbital iskele seviyesini ayarlayın.



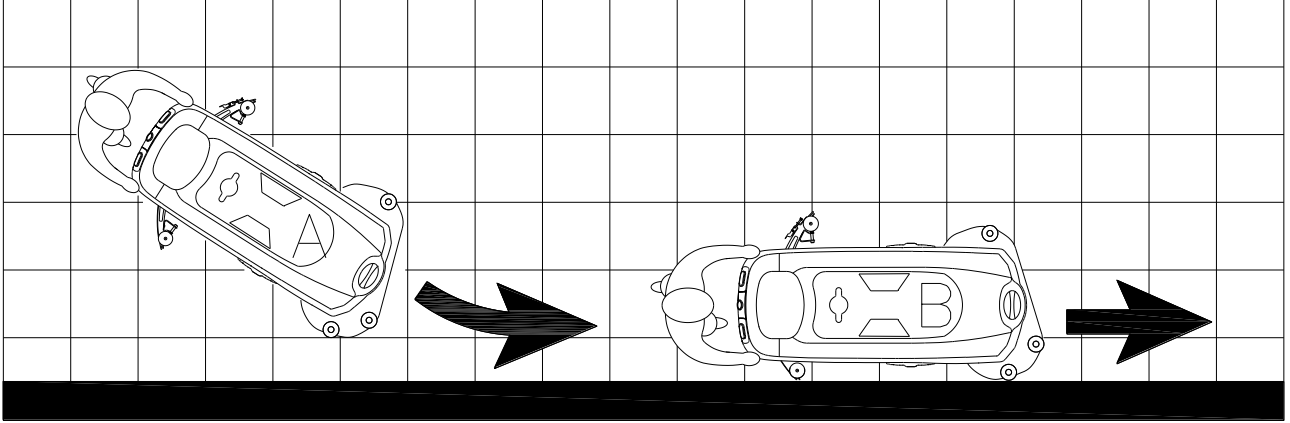
Şekil 14

**NOT**

Duvarların kenarlarındaki zeminlerin doğru silinmesi/kurutulması için. Makinenin sağ tarafı (A ve B, Şekil 15) ile şekilde gösterildiği şekilde duvarın yanına yaklaşılması önerilir.

**DİKKAT!**

Zemin yüzeyinin herhangi bir zarar görmemesi için, makine bir yerde durduğunda, özellikle de ilave baskı fonksiyonu açık iken, fırça/keçe tutucuları kapatın.



Şekil 15

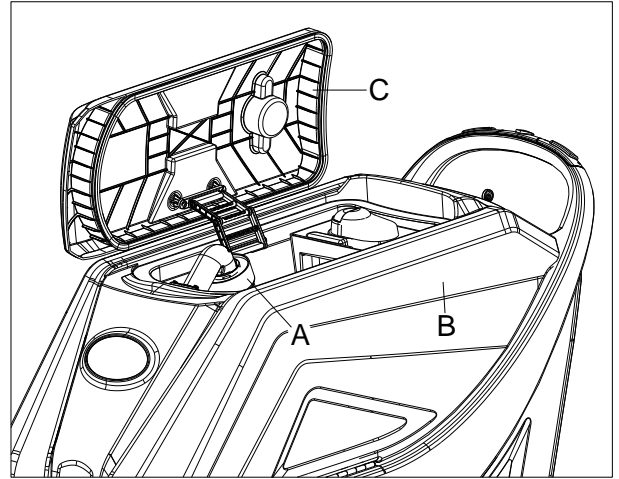
TANK BOŞALTMA

Otomatik şamandıralı bir kapatma sistemi (A, Şekil 16) geri kazanım tankı (B) dolduğunda vakum sistemini bloke eder. Vakum sisteminin devreden çıkması vakum sistem motorunun ses frekansında ani bir artıştan ayrıca zeminin kurumamasından anlaşılabilir.

**DİKKAT!**

Eğer vakum sistemi kazara kapandıysa (örneğin ani bir makine hareketi ile şamandıra aktif hale geldiyse) işleme devam etmek için: anahtara (50, Şekil 3) basarak vakum sistemini kapatın, daha sonra kapağı (C, Şekil 16) açın ve ızgara (A) içerisindeki şamandıranın su seviyesinin altına gidip gitmediğini kontrol edin. Daha sonra kapağı (C) kapatın ve anahtara (50, Şekil 3) basarak vakum sistemini açın.

Geri kazanım su tankı (B, Şekil 16) dolduğunda, aşağıdaki prosedüre göre boşaltın.



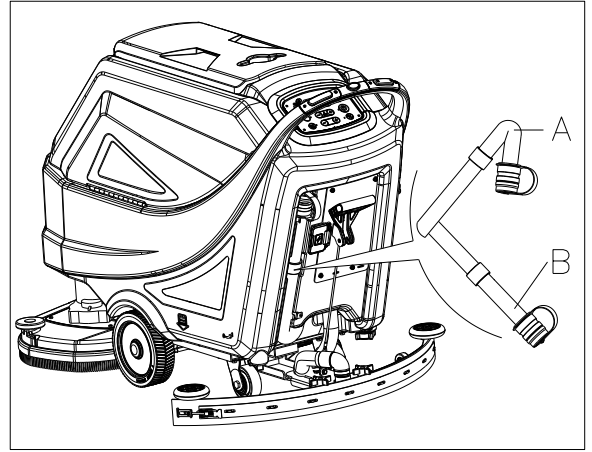
Şekil 16

Geri kazanım su tankının boşaltılması

1. Makineyi durdurun.
2. Tek düğmeyle başlatmaya (49, Şekil 3) basarak fırça / keçe tutucu iskelesini (25, Şekil 1) kaldırın veya kontak anahtarıyla (42, Şekil 3) makineyi yeniden çalıştırın.
3. Sileceği (11, Şekil 1) sileceği kaldırma/indirme kolu (39, Şekil 2) ile kaldırın.
4. Makineyi belirlenen elden çıkarma noktasına götürün.
5. Geri kazanım su tankını hortumla (A, Şekil 17) boşaltın. Daha sonra tankı (B, Şekil 16) temiz su ile durulayın.

**DİKKAT!**

Atık suyu boşaltırken atık vakum tüpü (A, Şekil 17) katlanmalı ve daha düşük bir seviyeye (B, Şekil 17) alçaltılmalı, daha sonra suyu boşaltmak için atık vakum tüpünün kapağı açılmalıdır. Suyu düşey olarak boşaltmak için vakum tüpü çıkışı yukarıya baktırmayın. Bu atık suyun kullanıcının üzerine dökülmesine engel olmak içindir.



Şekil 17

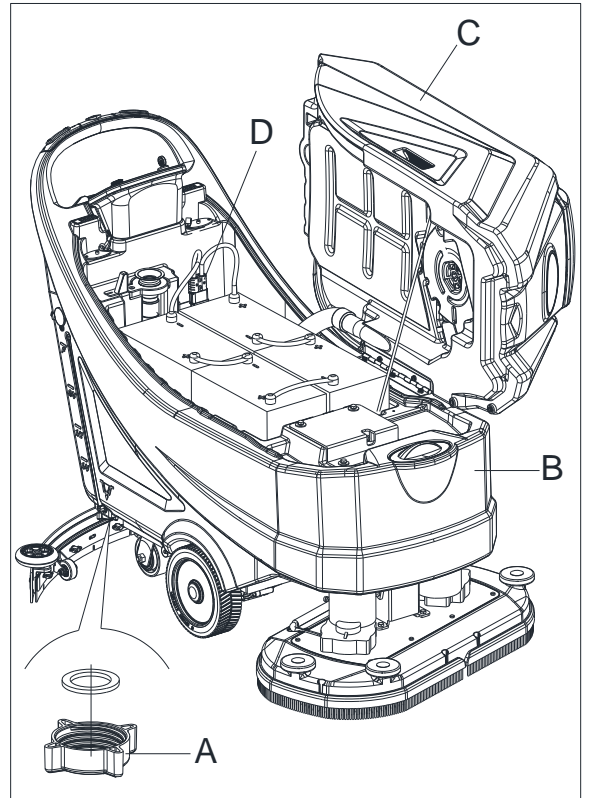
Solüsyon/temiz su tankı boşaltma

1. Solüsyon tankını çıkış kapağıyla (A, Şekil 18) boşaltın. Çalışmadan sonra tankı temiz su ile durulayın.

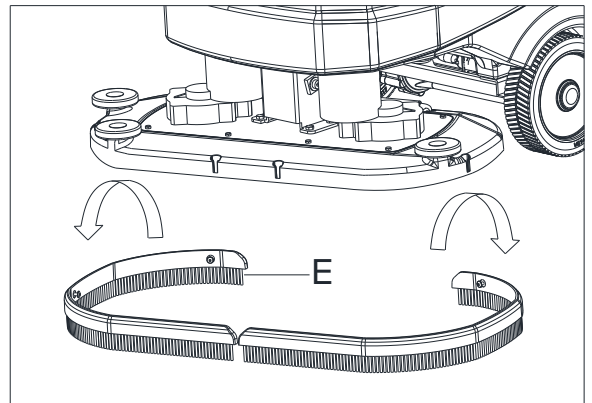
MAKİNEYİ KULLANDIKTAN SONRA

Çalışma sonrası makineyi terk ederken:

1. Ayırma düğmesine (44, Şekil 3) basarak fırçalar/keçe tutucuları çıkarın ve temizleyin (yalnızca disk makinesi için).
2. Sıçrama korumalığını şekilde (E, Şekil 19) görüldüğü gibi çıkarın ve temizleyin. (yalnızca disk makinesi için)
3. Keçeyi çıkarın ve temizleyin. (yalnızca orbital makine için)
4. Tankları (B ve C, Şekil 18) bir önceki paragrafta gösterildiği şekilde boşaltın.
5. Günlük bakım prosedürlerini gerçekleştirin (bkz. Bakım bölümü).
6. Makineyi temiz ve kuru bir yerde, fırçalar/keçe tutucular ve silecek kaldırılmış veya sökülmüş şekilde muhafaza edin.



Şekil 18



Şekil 19

UZUN ZAMAN KULLANILMAYAN MAKİNEİNİN DEPOLANMASI

Eğer makine 30 günden daha fazla kullanılmayacak ise, aşağıdaki şekilde devam edin:

1. Makinenin Kullanım Sonrası Bakımı paragrafındaki prosedürleri uygulayın.
2. Batarya bağlantısını (29, Şekil 2) ayırın.

KULLANIMIN İLK PERİYODU

İlk 8 saatten sonra makinenin sıkıştırma ve bağlantı parçalarının sıkılığı kontrol edin ve görünen parçaların yıpranma ve sızıntı durumunu kontrol edin.

BAKIM**UYARI!**

Bakım işlemleri, makine kapalı iken ve batarya şarj cihazı kabloları çıkarılmış durumda iken gerçekleştirilmelidir. İlavce olarak kılavuzdaki güvenlik bölümlerini dikkatlice okuyun.

Tüm planlı ve plansız bakım prosedürleri kalifiye bir personel veya yetkili bir Servis Merkezi tarafından gerçekleştirilmelidir. Bu kılavuz sadece en basit ve en genel bakım prosedürlerini tarif etmektedir.

Aşağıdaki Planlı Bakım Tablosunda yer almayan diğer bakım prosedürleri için şirketimizin herhangi bir Servis Merkezinden elde edilebilecek olan Servis Kılavuzuna bakınız.

PLANLI BAKIM TABLOSU**DİKKAT!**

Makine ilk 8 saat kullanımdan sonra (1) ile işaretli olan prosedürler yerine getirilmelidir. thefirst time. (2) ile işaretlenmiş olan prosedürler şirketimiz tarafından yetkilendirilen Servis Merkezi tarafından gerçekleştirilmelidir.

Prosedür	Her kullanımdan sonra, günlük olarak	Haftalık	Altı ayda bir	Yıllık
Batarya şarjı				
Silecek temizleme				
Fırça/Keçe tutucu temizleme				
Tank temizleme				
Tank sızdırmazlık halkası muayenesi				
Şamandıra top filtre temizleme				
Keçe temizleme				
Sıçrama korumalığını temizleme (yalnızca disk makinesi için)				
Silecek bıçağı kontrolü ve değiştirme				
Su filtresi temizliği				
Emme filtresi temizleme				
ISLAK batarya sıvı seviye kontrolü				
Vida ve somun sıkılığı kontrolü			(1)	
Alt İzolatör (yalnızca orbital makine için)			(2)	
Fırça motoru karbon fırçası kontrolü veya değişimi				(2)
Vakum motoru karbon fırçası kontrolü veya değişimi				(2)
Çekiş sistemi motoru karbon fırçası kontrolü veya değişimi				(2)

Company information:
www.vipercleaning.eu
info-eu@vipercleaning.com

